



US00D951802S

(12) **United States Design Patent**  
**Friedman**

(10) **Patent No.:** **US D951,802 S**

(45) **Date of Patent:** **\*\* May 17, 2022**

(54) **FINGER RING**

(71) Applicant: **Lilia Friedman**, Petah Tikva (IL)

(72) Inventor: **Lilia Friedman**, Petah Tikva (IL)

(\*\*) Term: **15 Years**

(21) Appl. No.: **29/712,659**

(22) Filed: **Nov. 11, 2019**

(51) **LOC (13) Cl.** ..... **11-01**

(52) **U.S. Cl.**  
USPC ..... **D11/35**

(58) **Field of Classification Search**

USPC ..... D11/1, 3, 4, 26-39, 91, 92

CPC ..... A44C 9/00; A44C 9/0007; A44C 9/0014;

A44C 9/0023; A44C 9/003; A44C

9/0038; A44C 9/0046; A44C 9/0053;

A44C 9/0061; A44C 9/0069; A44C

9/0076; A44C 9/0084; A44C 9/0092;

A44C 9/02; A44C 17/0258; A44C

17/0266; A44C 17/0275; A44C 17/0283;

A44C 17/02; A44C 17/0208; A44C

17/0216; A44C 17/0225; A44C 17/0233;

A44C 17/0241; A44C 17/025; A44C

17/0288; A44C 17/0291; A44C 1/00;

A44C 3/00

See application file for complete search history.

(56) **References Cited**

U.S. PATENT DOCUMENTS

D285,423 S \* 9/1986 Marcus ..... D11/28

D374,410 S \* 10/1996 Tanory, Jr. .... D11/34

D419,102 S \* 1/2000 Mestrum ..... D11/26

D421,405 S \* 3/2000 Mestrum ..... D11/26

D434,340 S \* 11/2000 Beber ..... D11/26

D514,469 S \* 2/2006 Race ..... D11/34

D657,705 S \* 4/2012 Guerrero, II ..... D11/4

D780,031 S \* 2/2017 Riviere ..... D11/34

D843,258 S \* 3/2019 Zhou ..... D11/34

D873,700 S \* 1/2020 Zhou ..... D11/34

**OTHER PUBLICATIONS**

{Online} [https://www.amazon.com/Silicone-Wedding-Rinfit-Designed-Rubber/dp/B085N1FGCD/ref=sr\\_1\\_1?m=A2HYCPOHT4K5P9&qid=1647062668&s=merchant-items&sr=1-1](https://www.amazon.com/Silicone-Wedding-Rinfit-Designed-Rubber/dp/B085N1FGCD/ref=sr_1_1?m=A2HYCPOHT4K5P9&qid=1647062668&s=merchant-items&sr=1-1). Retrieved Mar. 12, 2022. Available online Nov. 29, 2019.\*

\* cited by examiner

*Primary Examiner* — Melanie Pellegrini

(57) **CLAIM**

The ornamental design for a finger ring, as shown and described.

**DESCRIPTION**

FIG. 1 is a top perspective view of a finger ring, showing my new design;

FIG. 2 is a rear view thereof;

FIG. 3 is a front view thereof;

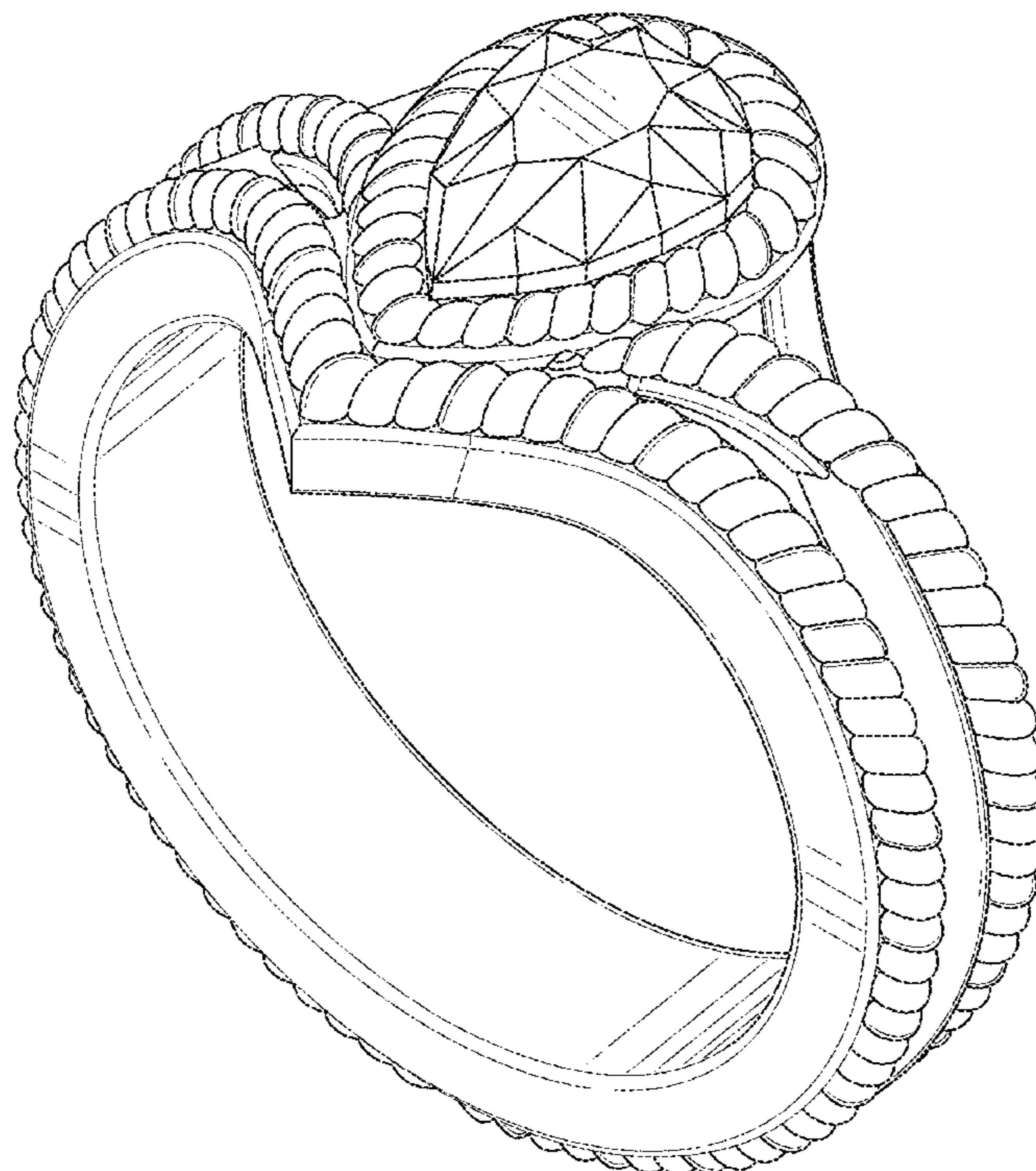
FIG. 4 is a left side view thereof;

FIG. 5 is a right side view thereof;

FIG. 6 is a top view thereof; and,

FIG. 7 is a bottom view thereof.

**1 Claim, 7 Drawing Sheets**



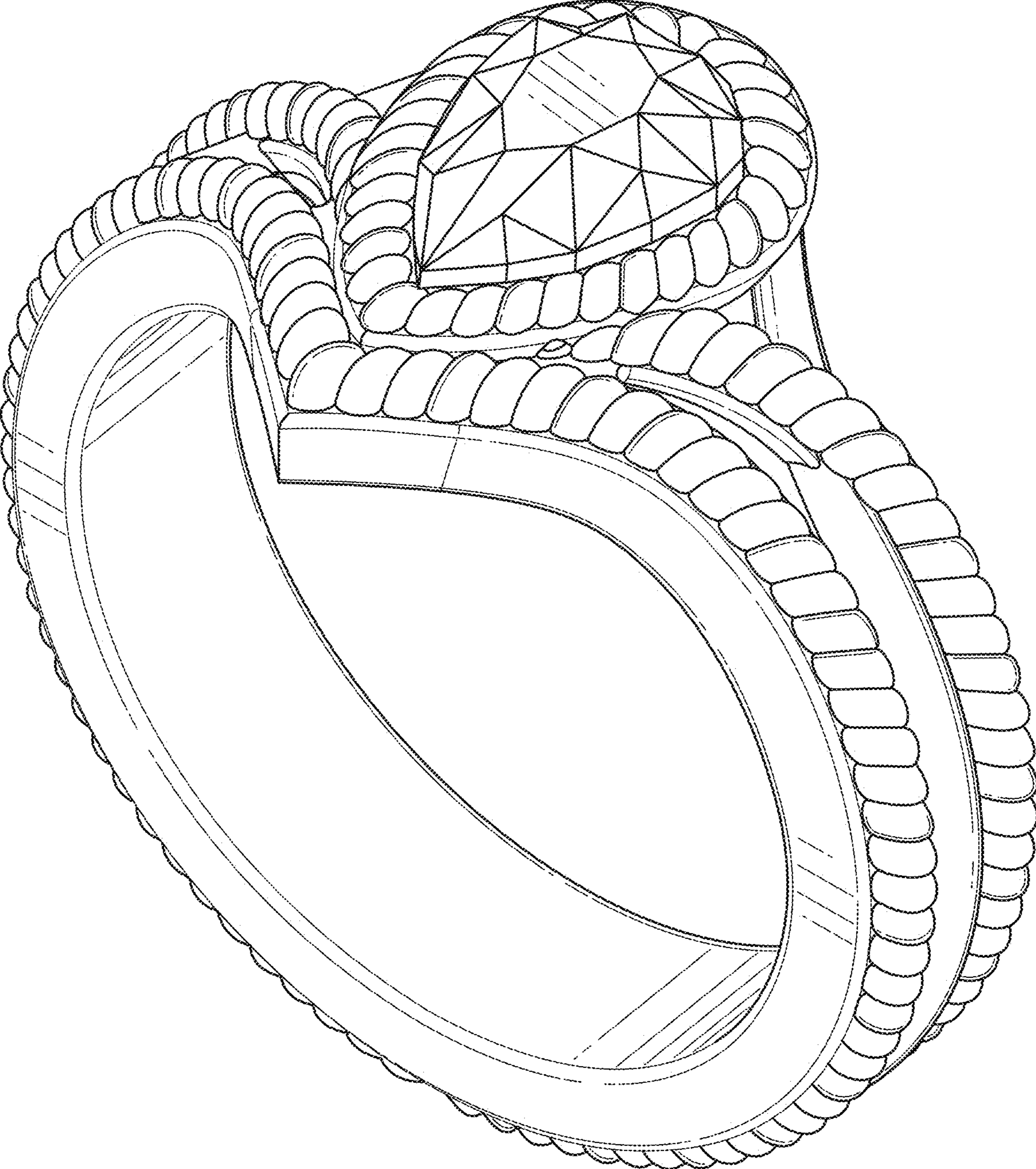


FIG. 1



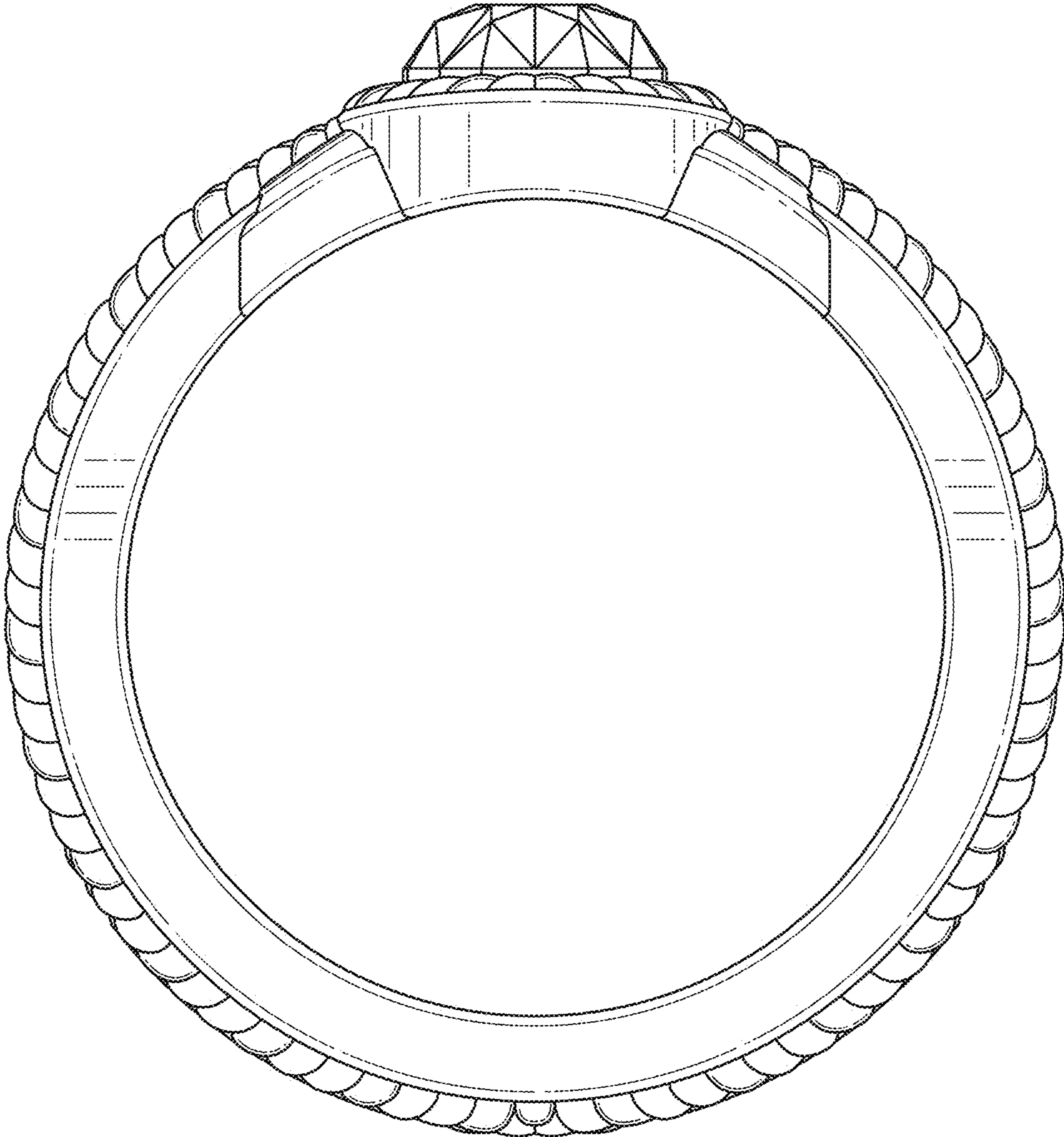


FIG. 2

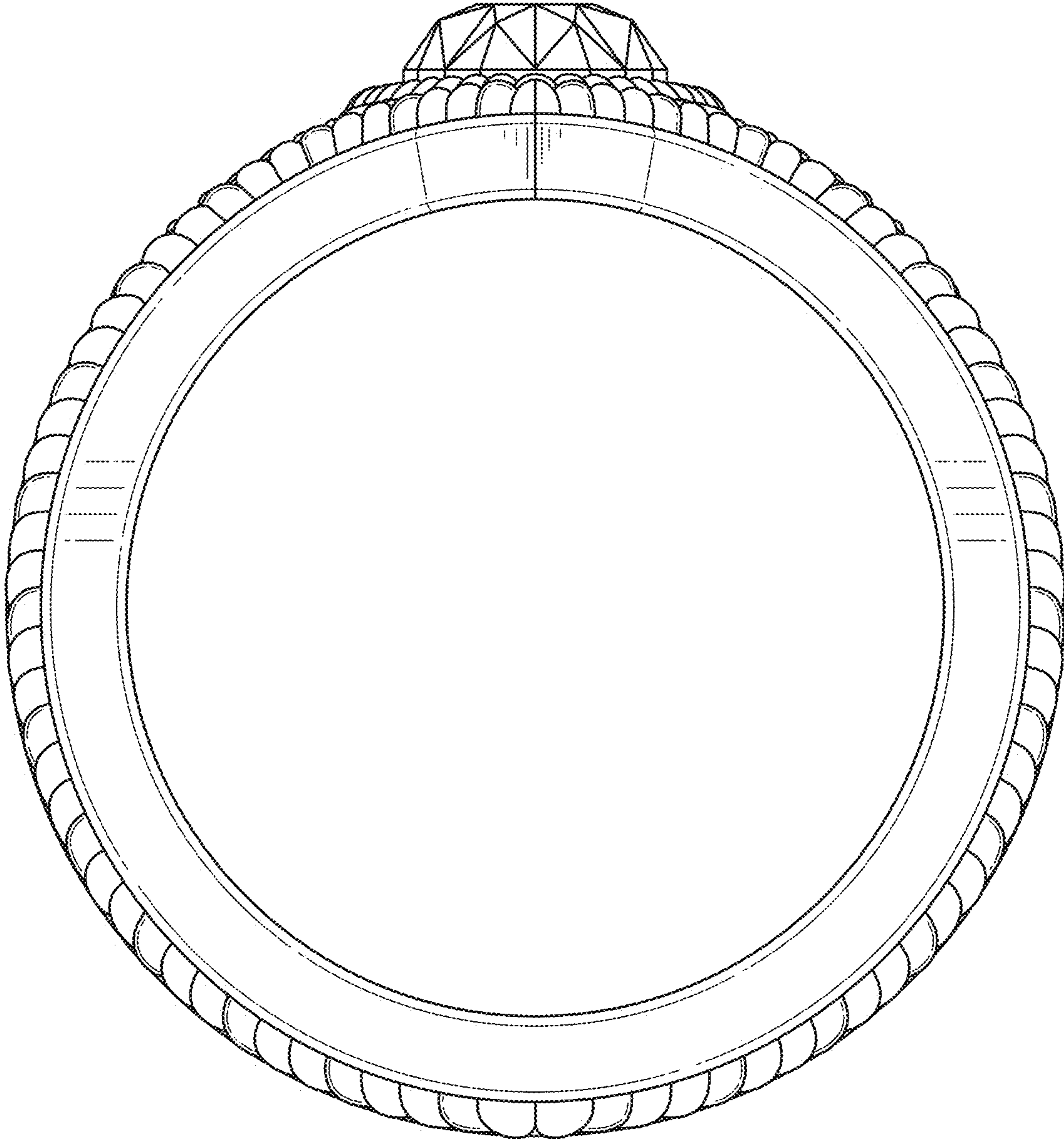


FIG. 3

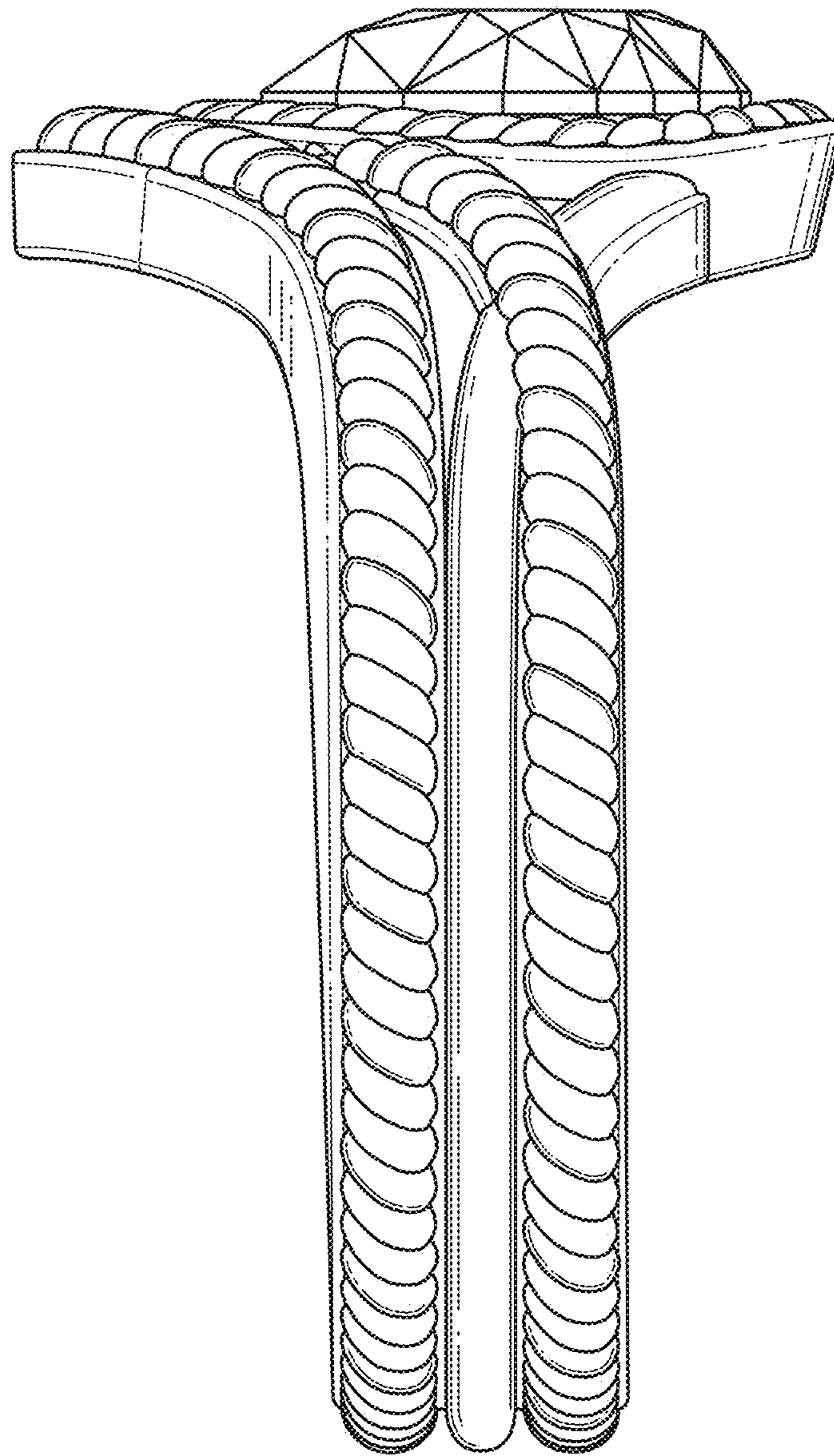


FIG. 4

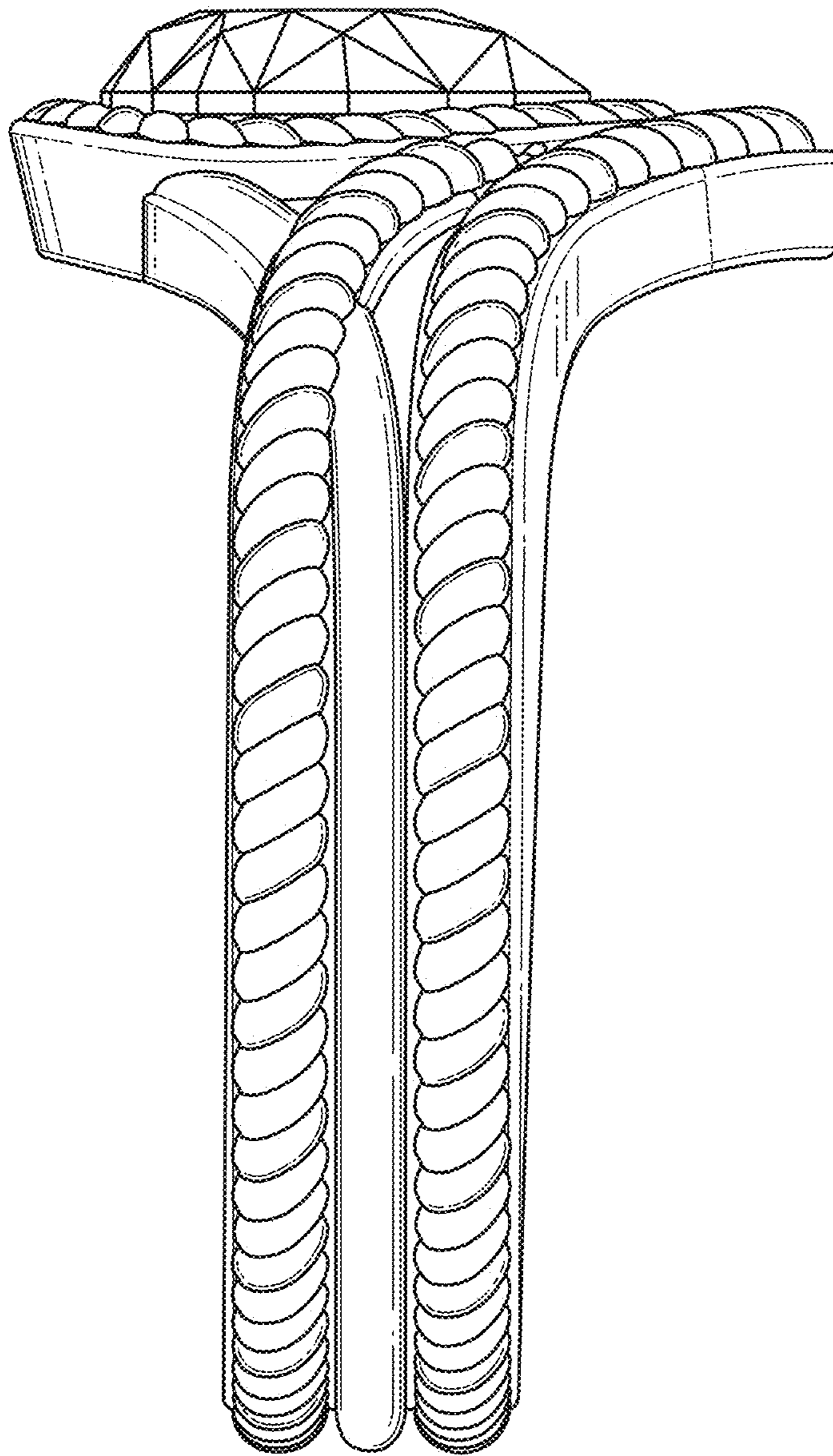


FIG. 5



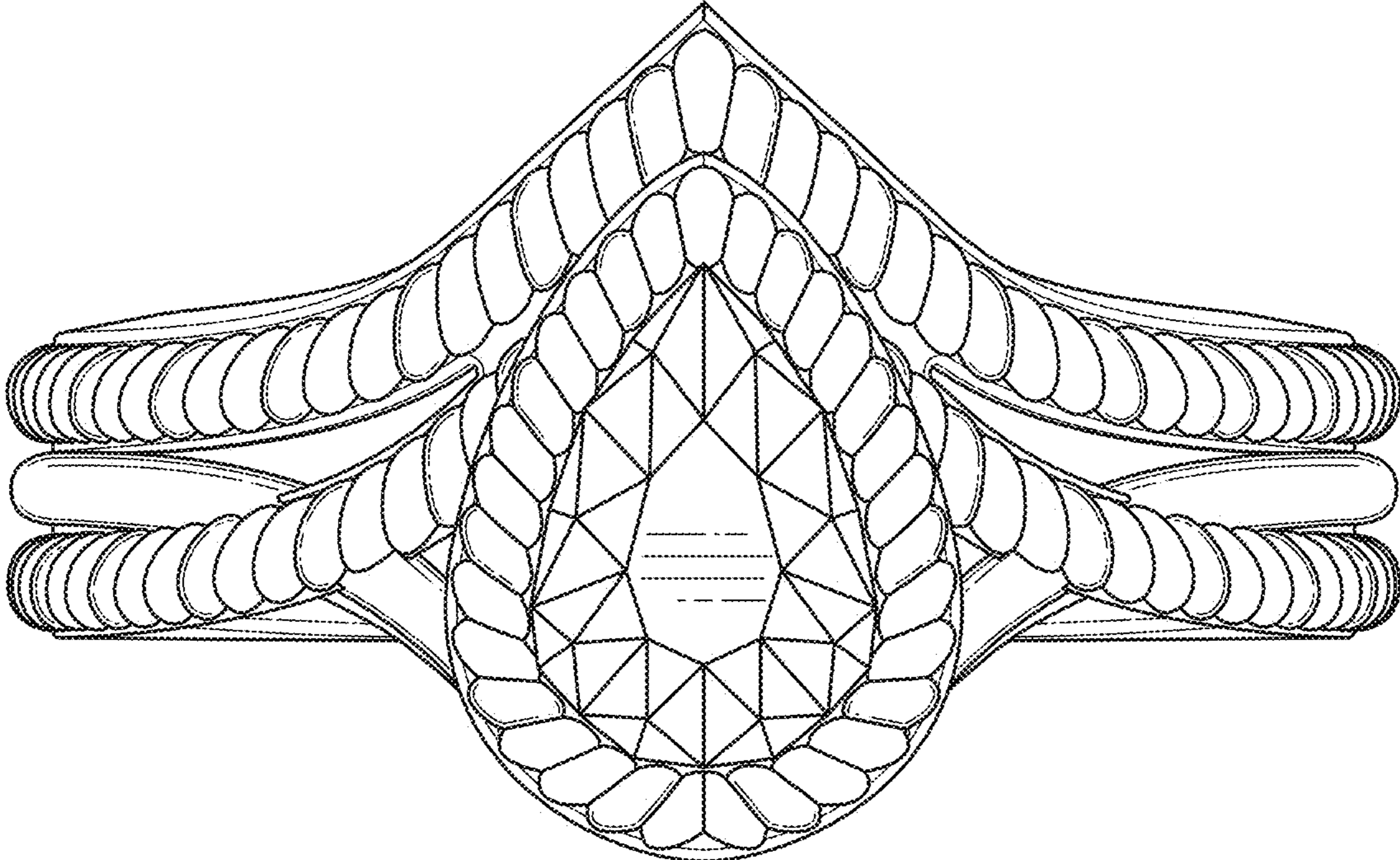


FIG. 6

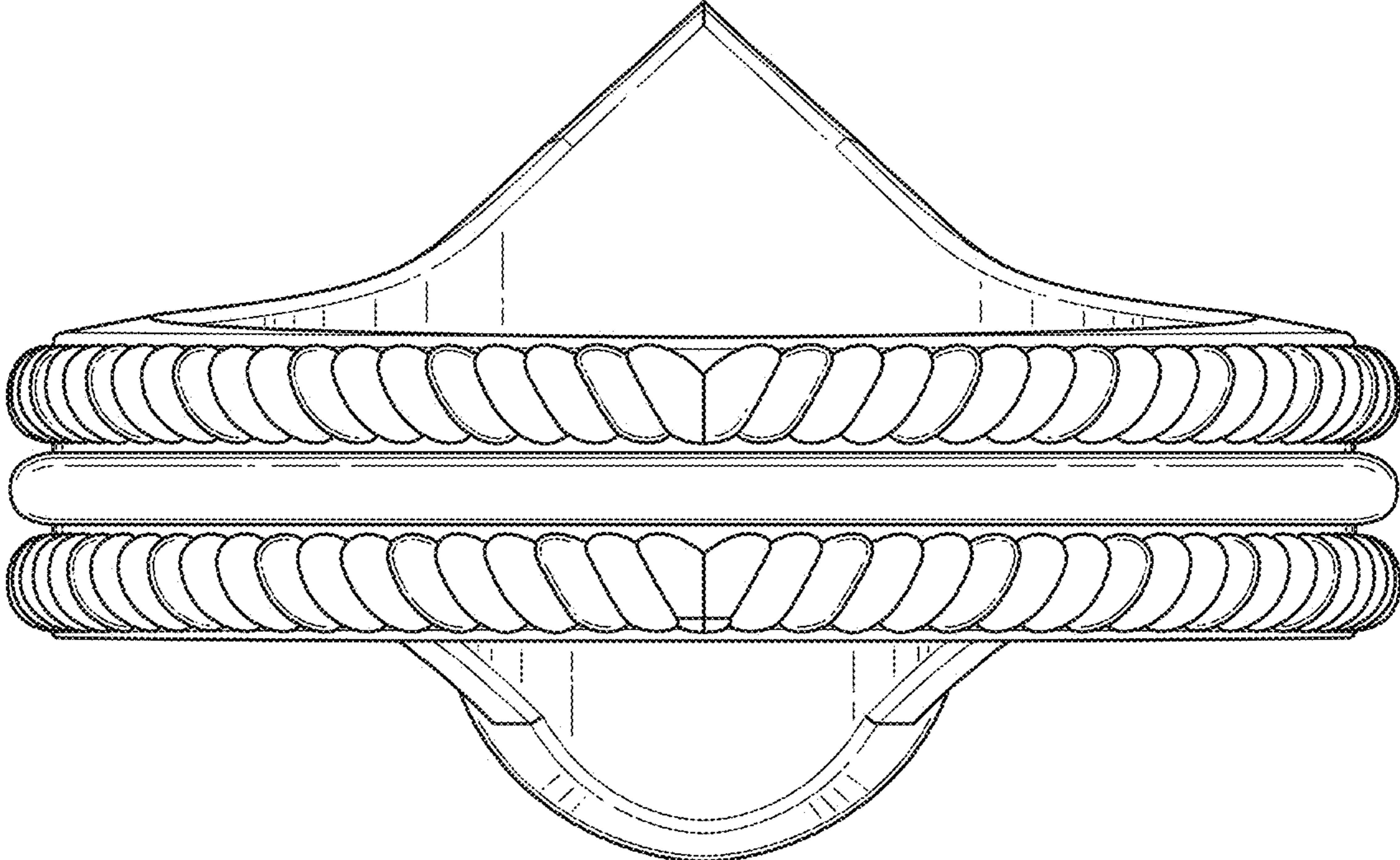


FIG. 7