



US00D951801S

(12) **United States Design Patent** (10) **Patent No.:** **US D951,801 S**
DeVolder (45) **Date of Patent:** **** May 17, 2022**

(54) **RING WITH INTERNALLY POSITIONED GEMSTONES**

(71) Applicant: **Michael DeVolder**, Estero, FL (US)

(72) Inventor: **Michael DeVolder**, Estero, FL (US)

(**) Term: **15 Years**

(21) Appl. No.: **29/730,880**

(22) Filed: **Apr. 9, 2020**

(51) **LOC (13) Cl.** **11-01**

(52) **U.S. Cl.**
USPC **D11/34**

(58) **Field of Classification Search**
USPC D11/26–29, 34, 36–39
CPC A44C 9/00; A44C 9/0023; A44C 9/0038;
A44C 9/0046; A44C 9/0053; A44C
9/0061; A44C 9/0069; A44C 9/0076;
A44C 9/0084; A44C 9/0092; A44C
17/002; A44C 17/003; A44C 17/005;
A44C 17/007; A44C 17/02; A44C
17/025; A44C 17/04
See application file for complete search history.

(56) **References Cited**

U.S. PATENT DOCUMENTS

6,928,734	B1 *	8/2005	West	A44C 9/00
D792,800	S *	7/2017	Kwon	D11/34
D808,843	S *	1/2018	Kwon	D11/4
D866,385	S *	11/2019	Joshi	D11/26
D880,339	S *	4/2020	Fridman	D11/26
D884,540	S *	5/2020	Tse	D11/6
D919,471	S *	5/2021	Shah	D11/34
D935,932	S *	11/2021	D’Annunzio	D11/34
D938,296	S *	12/2021	Wellendorff	D11/34
2005/0199007	A1 *	9/2005	LaCroix	A44C 17/02 63/28
2009/0071192	A1 *	3/2009	Bauman	A44C 17/046 63/15

2015/0313327	A1 *	11/2015	Ruppli	A44C 27/007 63/15
2017/0049195	A1 *	2/2017	Dholakiya	A44C 17/02
2020/0359755	A1 *	11/2020	Maddocks	A44C 9/0015

FOREIGN PATENT DOCUMENTS

KR	301126978.0000	*	9/2021
KR	301138020.0000	*	11/2021
KR	301141888.0000	*	12/2021

OTHER PUBLICATIONS

Seal Team, available 2021, online, site visited Dec. 23, 2021. Available online, URL: <https://www.pinnaclejewelers.com/product-page/gold-two-tone-band> (Year: 2021).*

(Continued)

Primary Examiner — W. A. Teddy Falloway

Assistant Examiner — Sarah J Ault

(74) *Attorney, Agent, or Firm* — Bond Schoeneck & King, PLLC; George McGuire

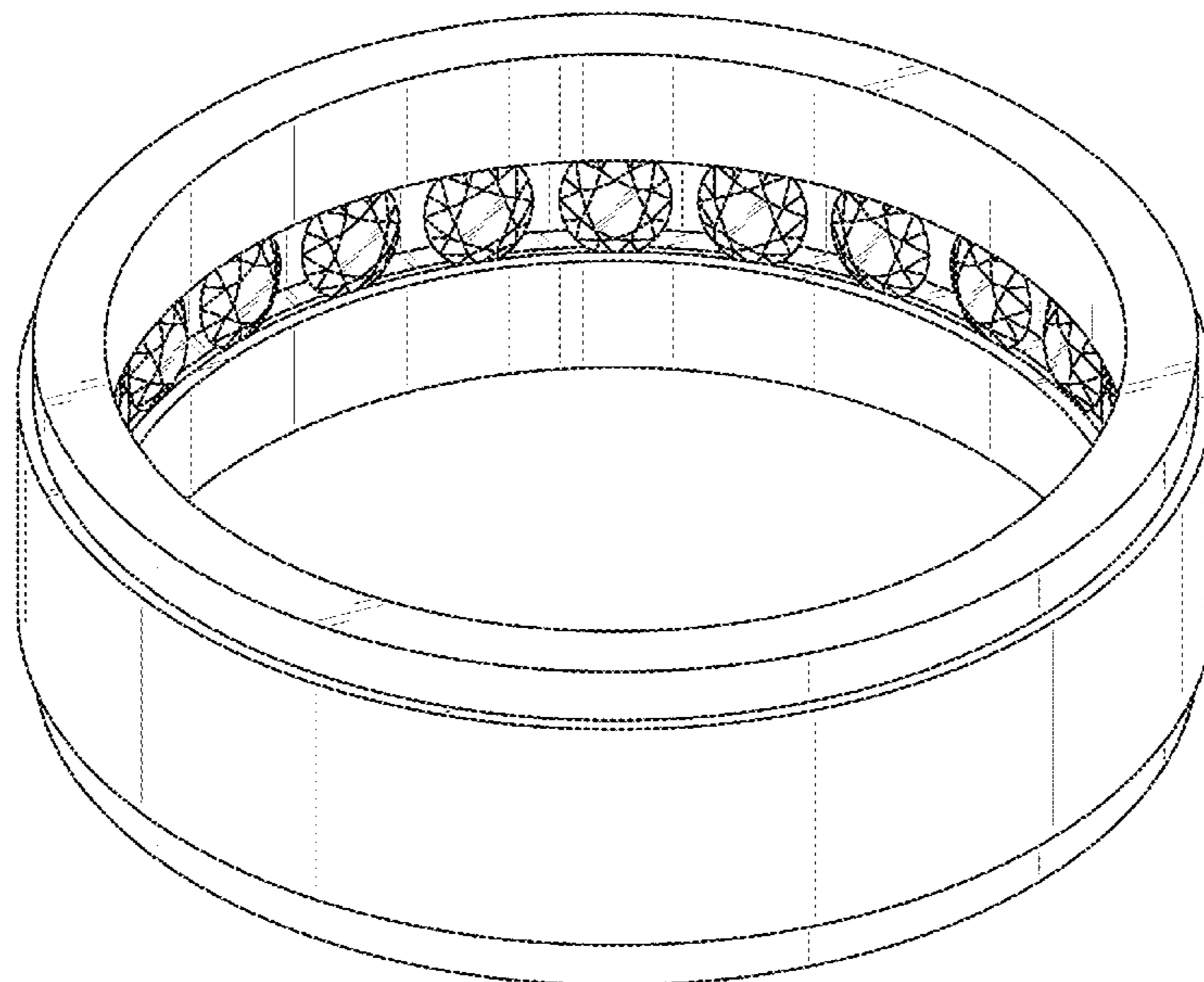
(57) **CLAIM**

The ornamental design for a ring with internally positioned gemstones, as shown and described.

DESCRIPTION

FIG. 1 is a perspective view of a new and ornamental design for a ring with internally positioned gemstones; FIG. 2 is a cross-sectional view thereof; FIG. 3 is an enlarged view taken at the view line of FIG. 2; FIG. 4 is a top plan view thereof; FIG. 5 is a bottom plan view thereof; FIG. 6 is a first side elevation view thereof; FIG. 7 is a second side elevation view thereof; FIG. 8 is a front elevation view thereof; and, FIG. 9 is a rear elevation view thereof.

1 Claim, 7 Drawing Sheets



(56)

References Cited

OTHER PUBLICATIONS

Not Your Everyday Men's Wedding Band, available Nov. 3, 2021, online, site visited Dec. 23, 2021. Available online, URL: <https://www.prweb.com/releases/2021/11/prweb18306474.htm> (Year: 2021).*

Rectangular Stone Interior Steel Tunnels, available Dec. 9, 2021, online, site visited Dec. 23, 2021. Available online, URL: <https://www.bodydazz.com/rectangular-stone-interior-steel-tunnels-0g-1/> (Year: 2021).*

Jorg Heinz 18k Gold Revellion Ring, available 2021, online, site visited Dec. 23, 2021. Available online, URL: <https://www.tenenbaumjewelers.com/collections/rings-men/products/j-rg-heinz-18k-gold-revellion-ring-with-interchangeable-black-diamond-and-white-gold-interior-r6432> (Year: 2021).*

* cited by examiner

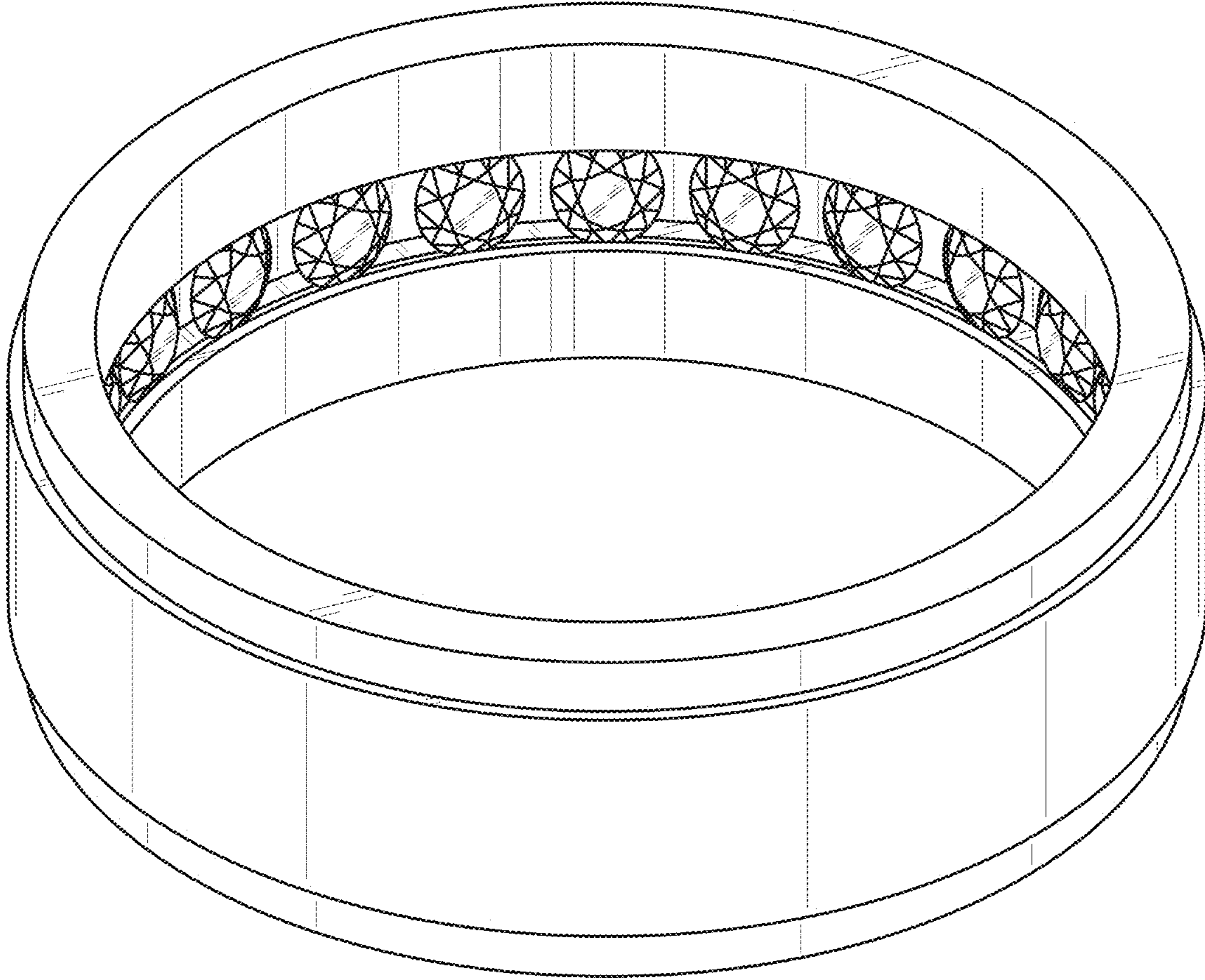


FIG. 1

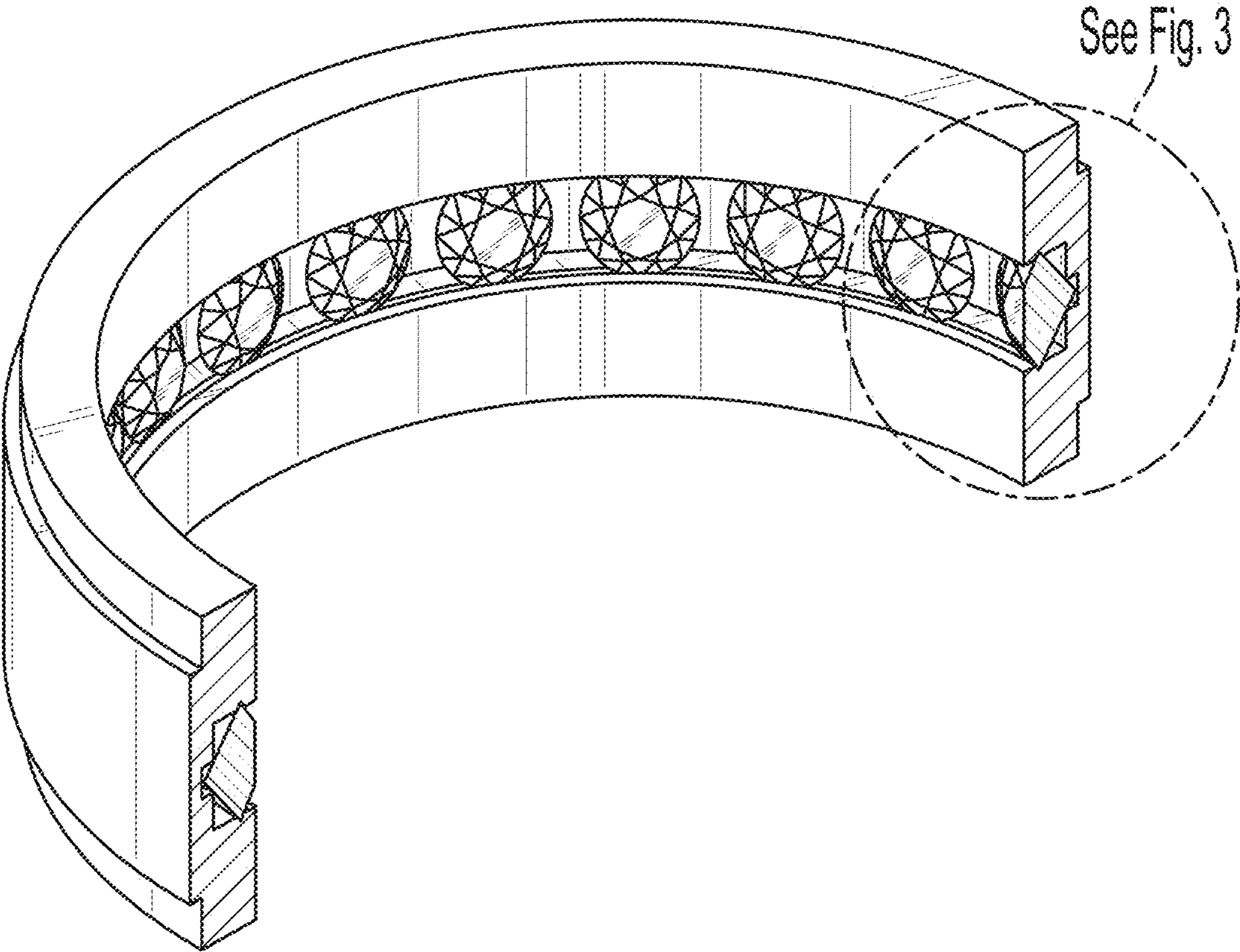


FIG. 2

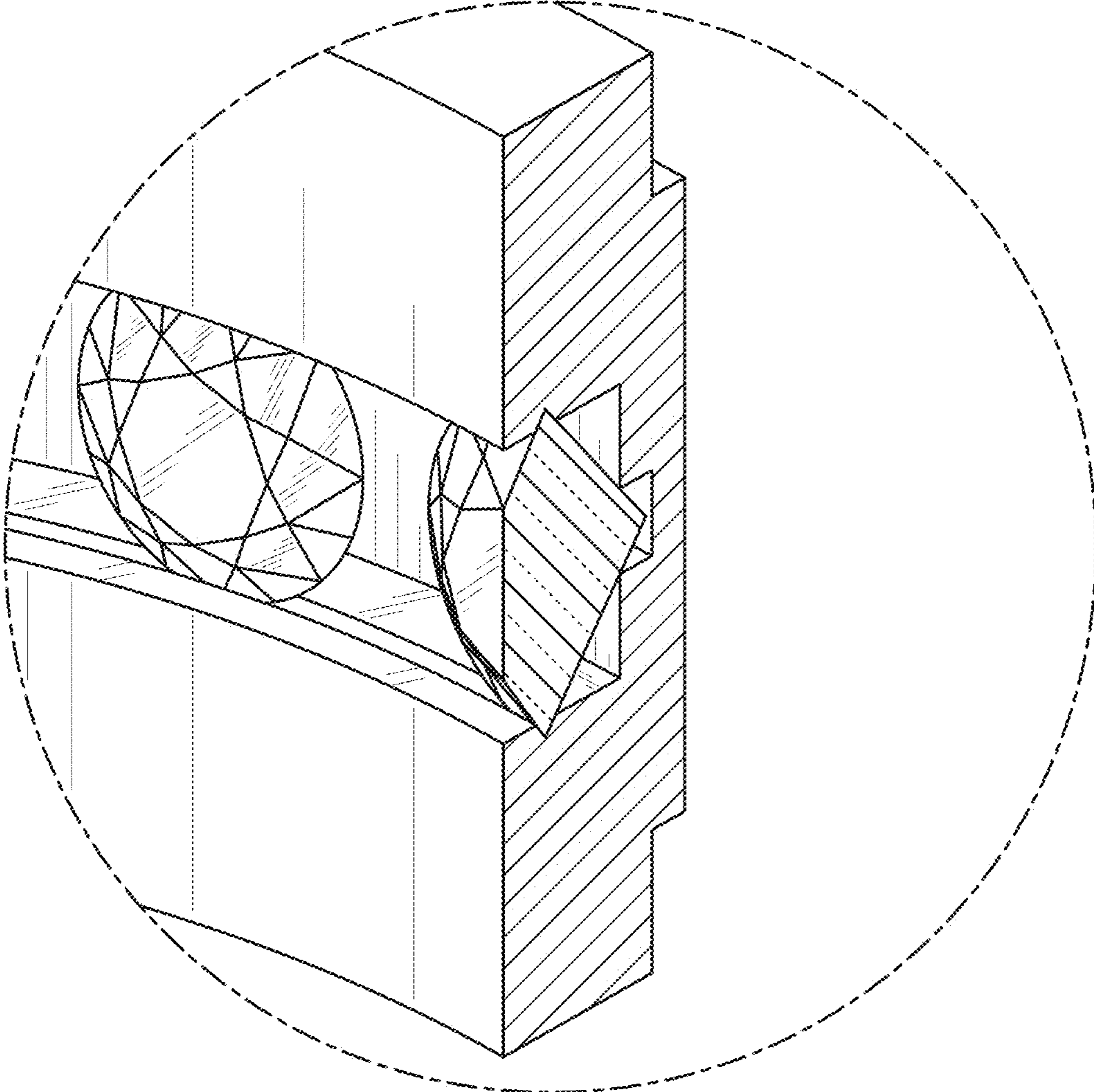


FIG. 3

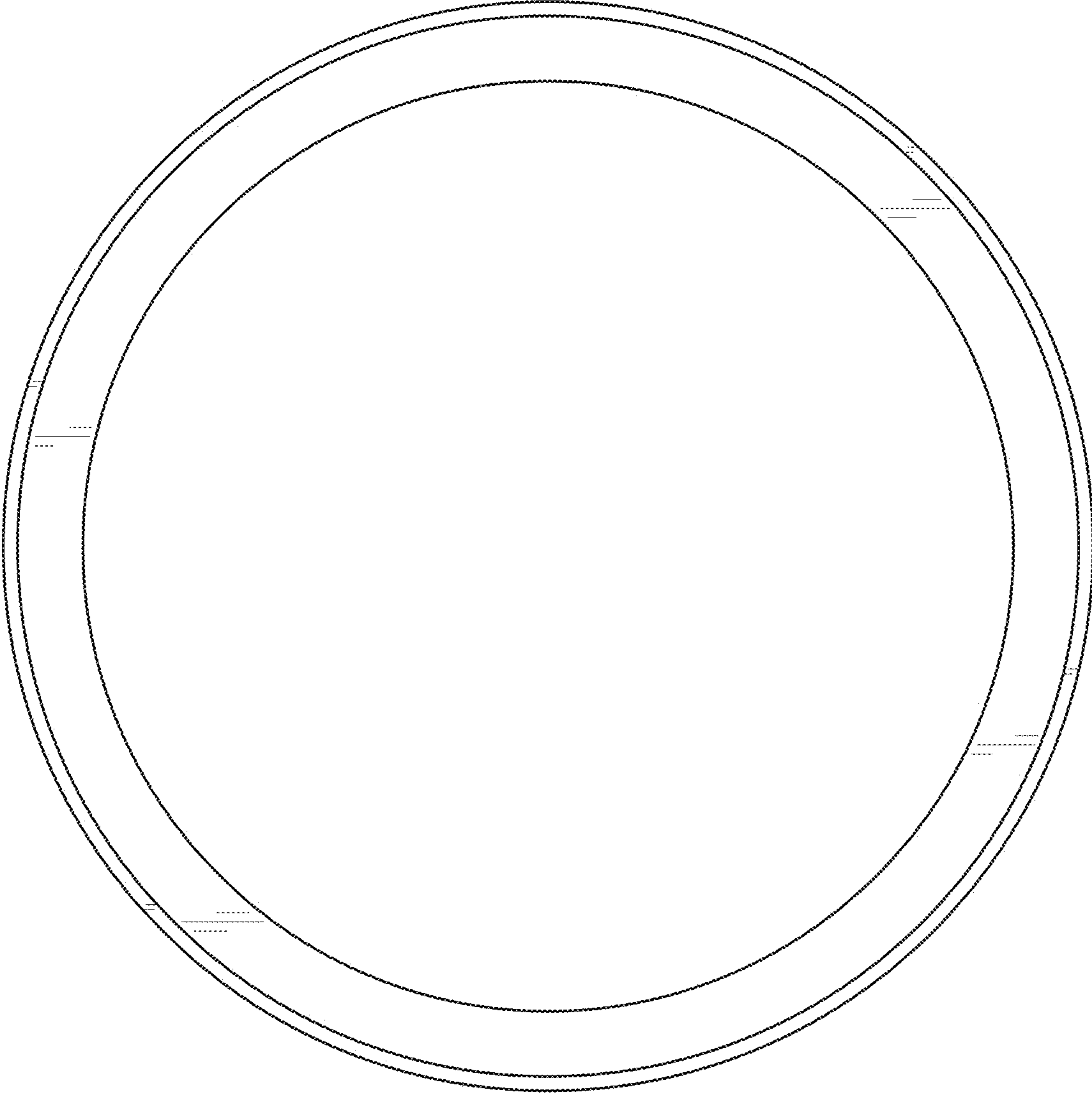


FIG. 4

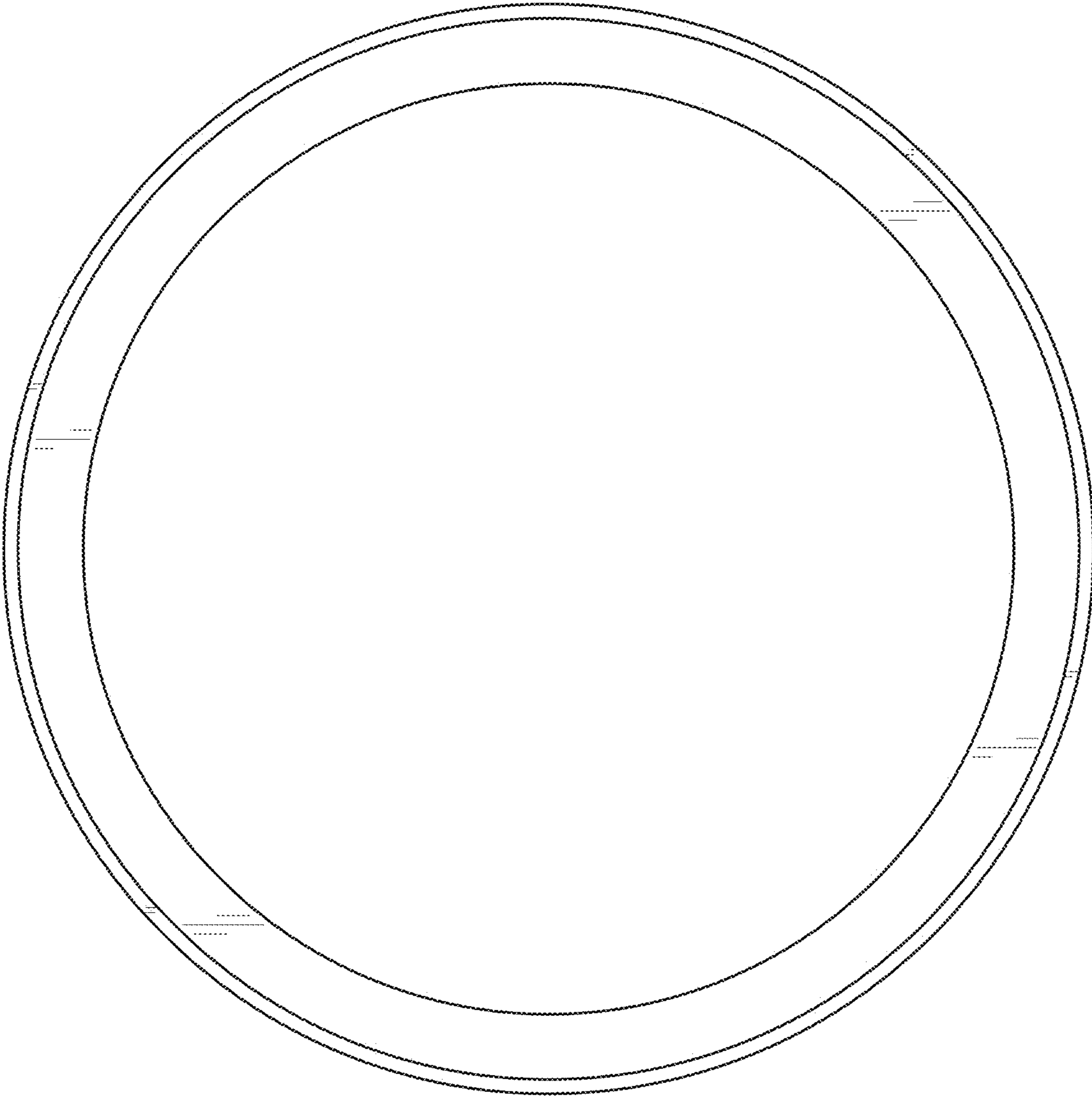


FIG. 5

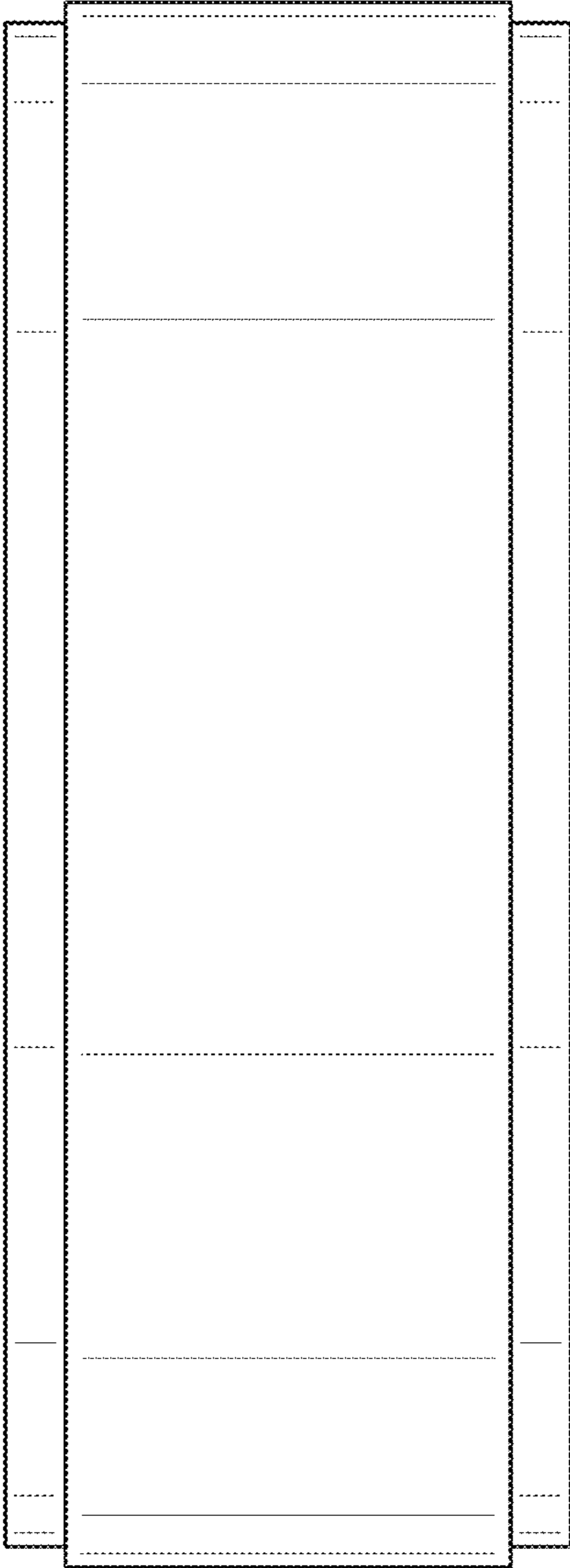


FIG. 6

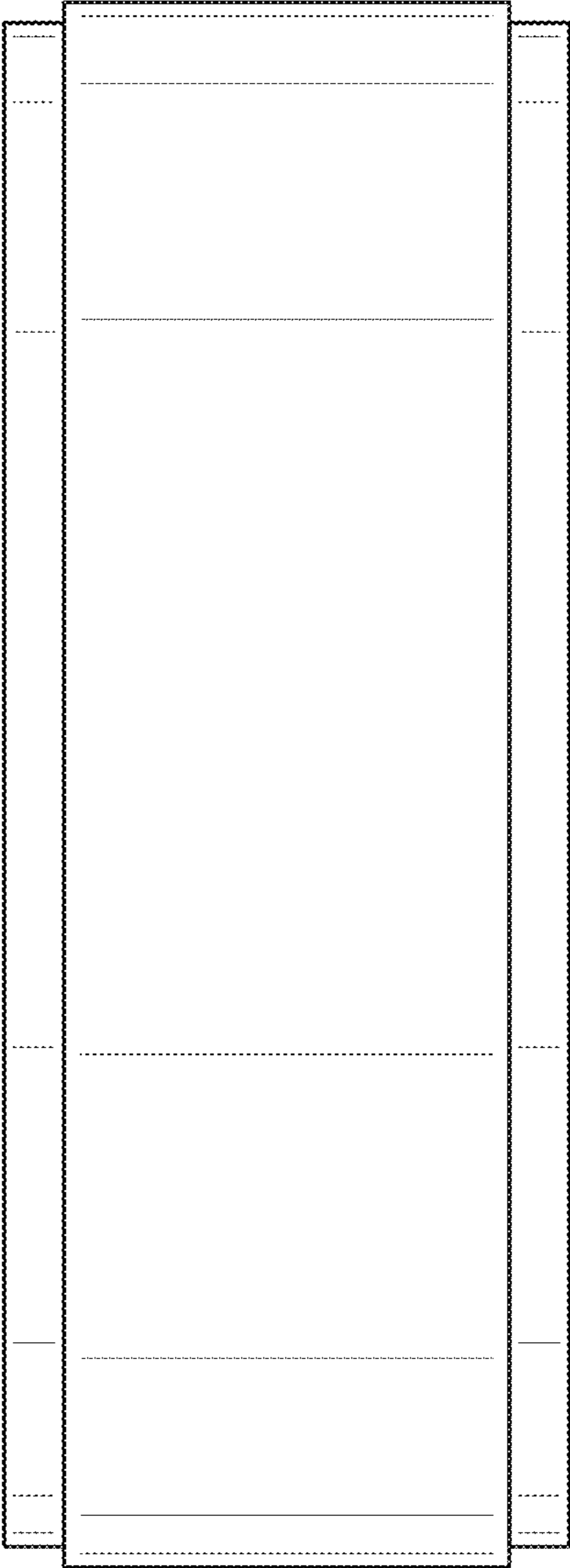


FIG. 7

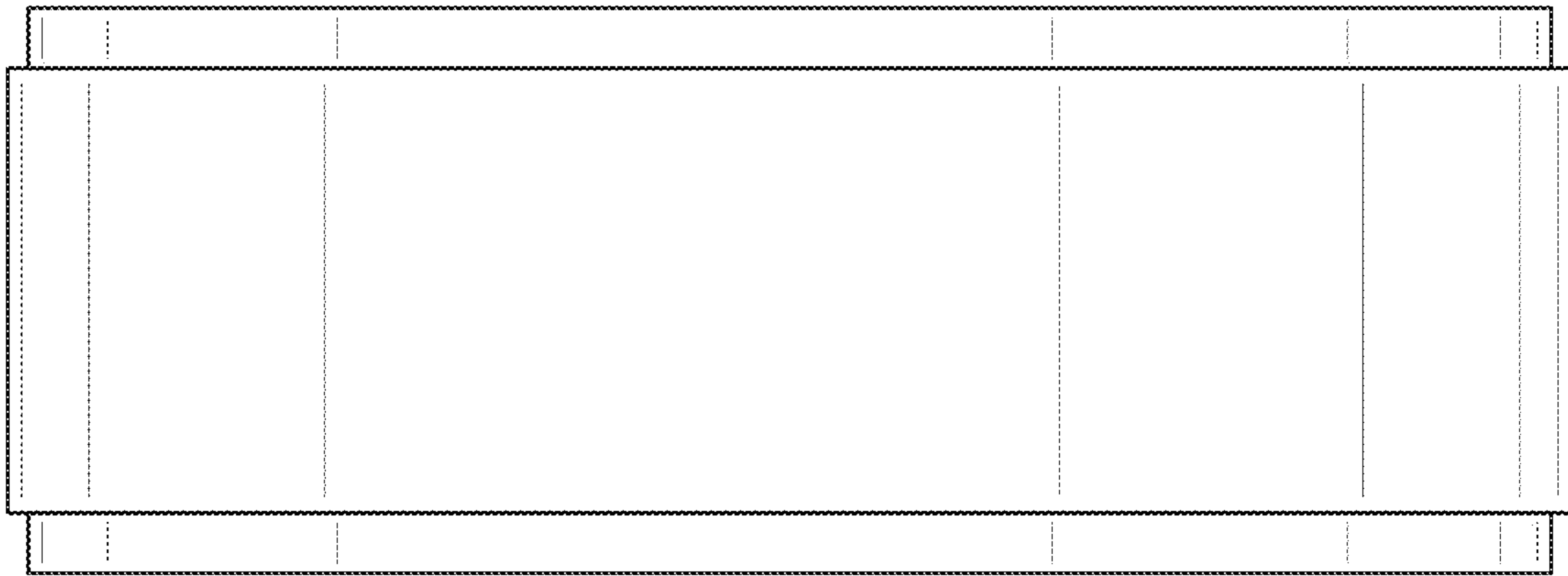


FIG. 8

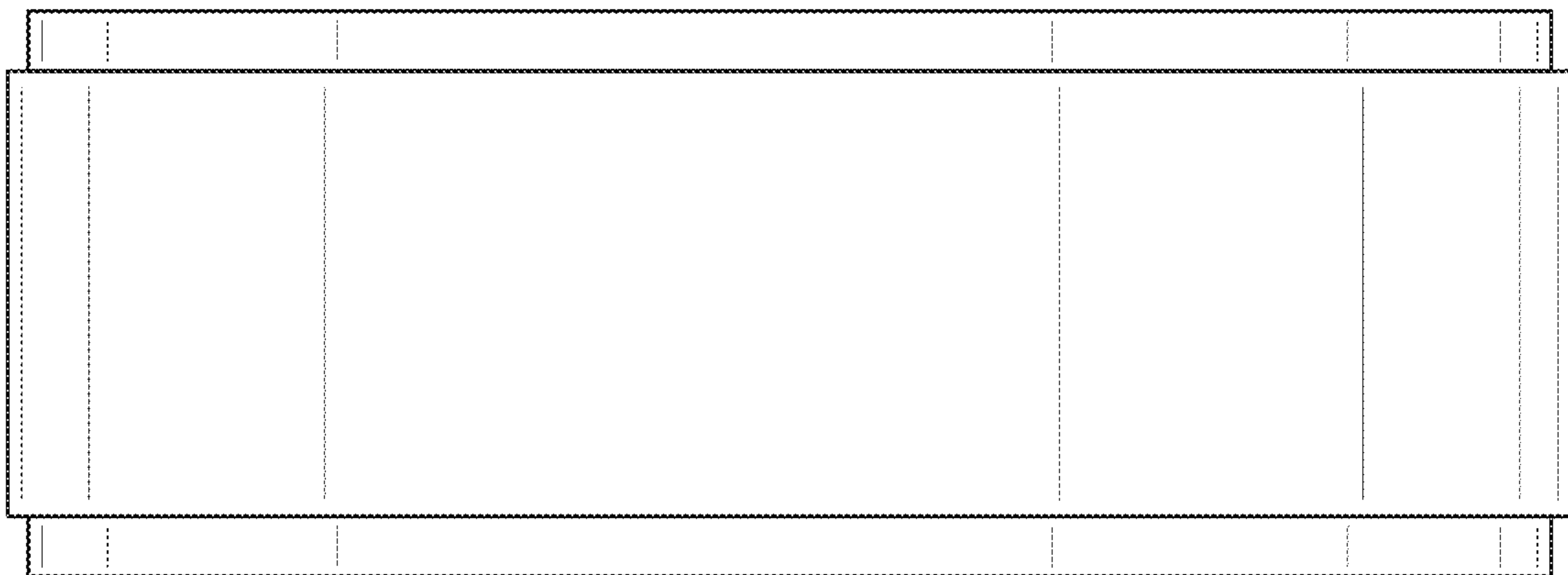


FIG. 9