



US00D951800S

(12) **United States Design Patent**
Brown

(10) **Patent No.:** **US D951,800 S**

(45) **Date of Patent:** **** May 17, 2022**

(54) **JEWELRY ITEM**

(71) Applicant: **Bridget Ann Brown**, Torrance, CA
(US)

(72) Inventor: **Bridget Ann Brown**, Torrance, CA
(US)

(**) Term: **15 Years**

(21) Appl. No.: **29/685,543**

(22) Filed: **Mar. 28, 2019**

(51) **LOC (13) Cl.** **11-01**

(52) **U.S. Cl.**
USPC **D11/33**

(58) **Field of Classification Search**
USPC D11/1, 2, 3, 91, 92, 26-39, 79, 81, 84,
D11/67, 63
CPC A44C 1/00; A44C 9/00; A44C 9/0007;
A44C 9/0015; A44C 9/0023; A44C
9/003; A44C 9/0038; A44C 9/0046; A44C
9/0053; A44C 9/0061; A44C 9/0069;
A44C 9/0076; A44C 9/0092; A44C 9/02;
A44C 5/00; A44C 5/0007; A44C 5/0015;
A44C 5/0023; A44C 5/003; A44C
5/0038; A44C 5/0046; A44C 5/0053
See application file for complete search history.

(56) **References Cited**

U.S. PATENT DOCUMENTS

D130,313 S *	11/1941	Schraysshuen	D11/67
D170,241 S *	8/1953	Robbins	D11/204
4,879,953 A *	11/1989	Carter	B21K 1/025
				102/514
6,581,503 B1 *	6/2003	Olin	F42B 12/34
				102/510
D494,883 S *	8/2004	Pachachi	D11/33
D549,126 S *	8/2007	Hon	D11/63
7,823,414 B2 *	11/2010	Benos	A44C 25/001
				63/23

D630,791 S *	1/2011	Wanders	D26/127
D640,950 S *	7/2011	Zuiderveld	D11/84
D641,276 S *	7/2011	Greppi	D11/40
D691,909 S *	10/2013	Fanelli	D11/1
D781,172 S *	3/2017	Coin	D11/26
D821,250 S *	6/2018	Sivriere	D11/33
D843,873 S *	3/2019	Hardy	D11/26
D885,234 S *	5/2020	Liu	D11/26

OTHER PUBLICATIONS

[Online] "BulletBloom.com" <https://bulletbloom.com/collections/women>. Retrieved Jan. 29, 2021.*

* cited by examiner

Primary Examiner — Melanie Pellegrini
(74) *Attorney, Agent, or Firm* — David T. Bennett

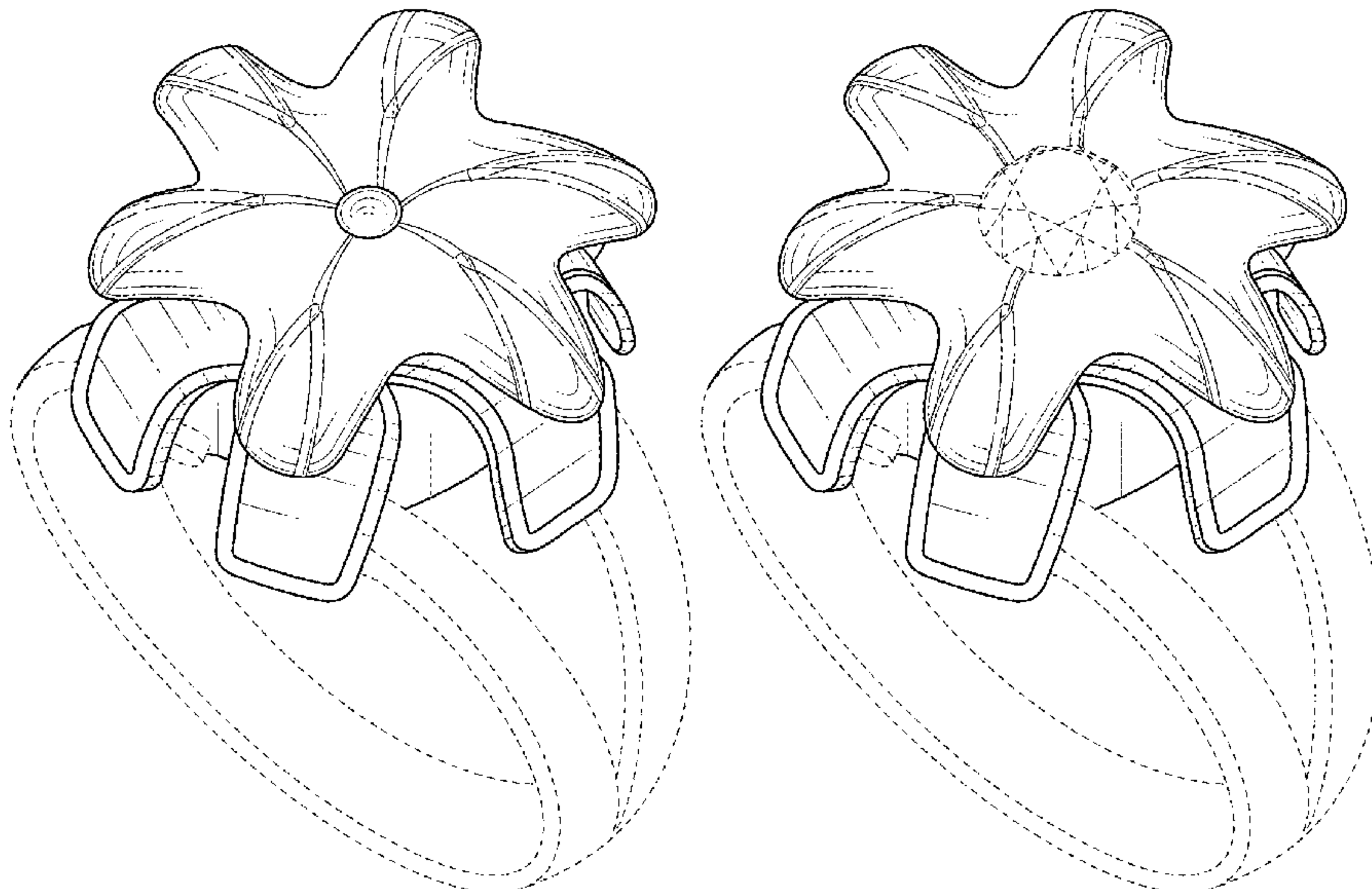
(57) **CLAIM**

The ornamental design for a jewelry item, as shown and described.

DESCRIPTION

FIG. 1 is a front perspective view of a new ornamental jewelry item shown in an environment of use as a ring;
FIG. 2 is a front perspective view of a new ornamental jewelry item shown in an environment of use as a ring with a stone set in the jewelry item;
FIG. 3 is a top view of the jewelry item shown in FIG. 1;
FIG. 4 is a bottom view of the jewelry item shown in FIG. 1;
FIG. 5 is a front view of the jewelry item shown in FIG. 2;
FIG. 6 is a rear view of the jewelry item shown in FIG. 2;
FIG. 7 is a right side view of the jewelry item shown in FIG. 2; and,
FIG. 8 is a left view of the jewelry item shown in FIG. 2.
All portions of the drawings shown in dashed or broken lines are for illustrating portions of the article that form no part of the claim.

1 Claim, 5 Drawing Sheets



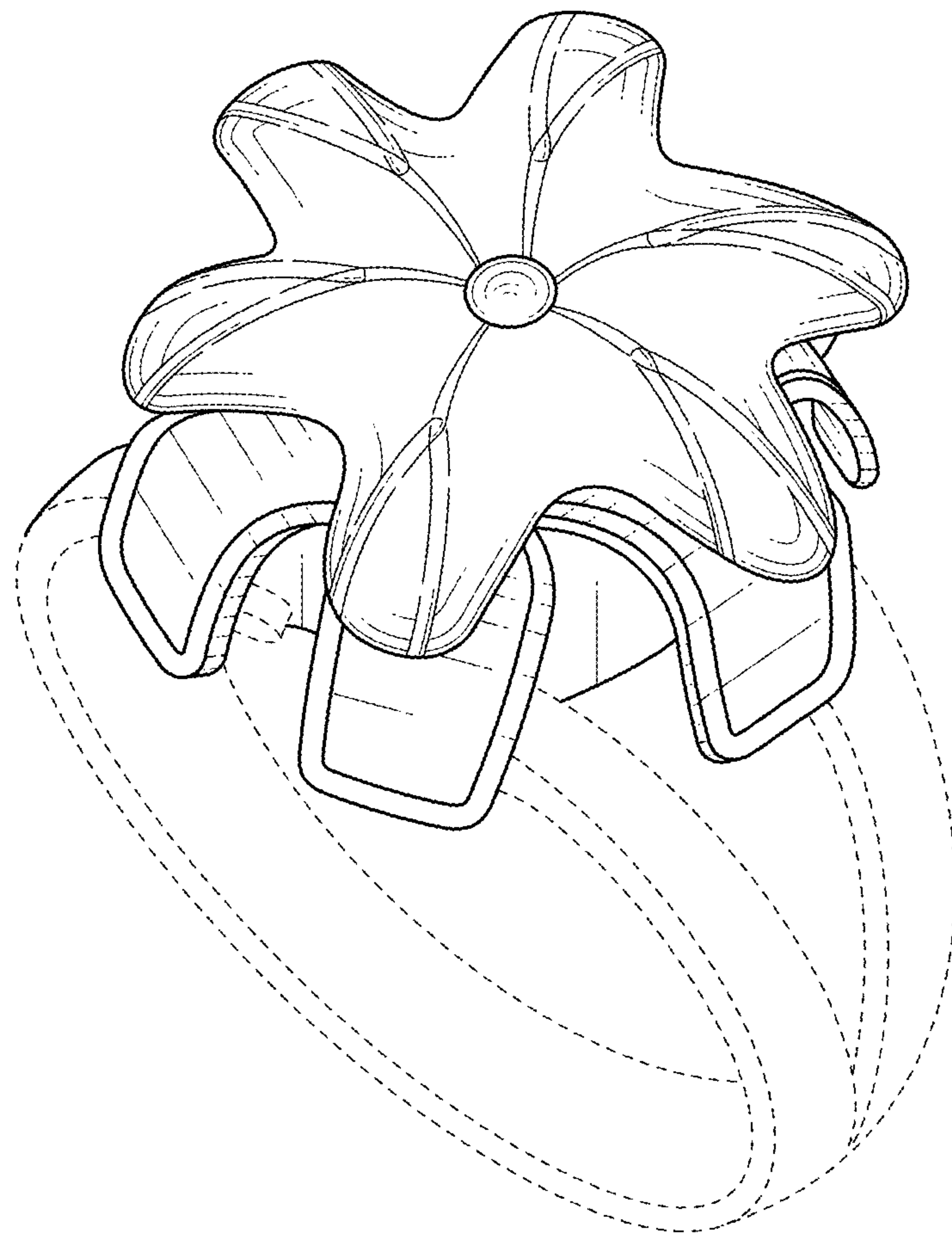


FIG. 1

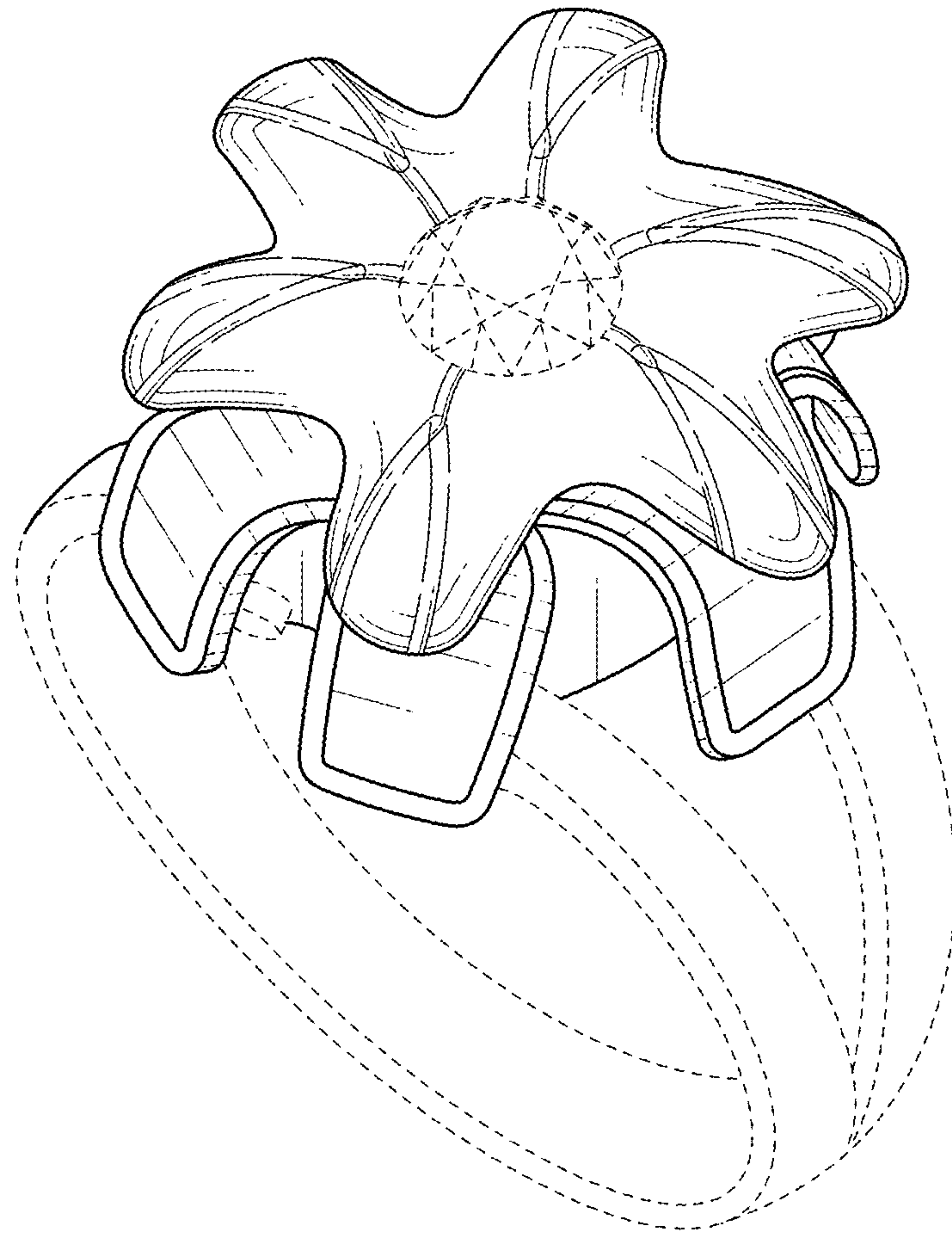


FIG. 2

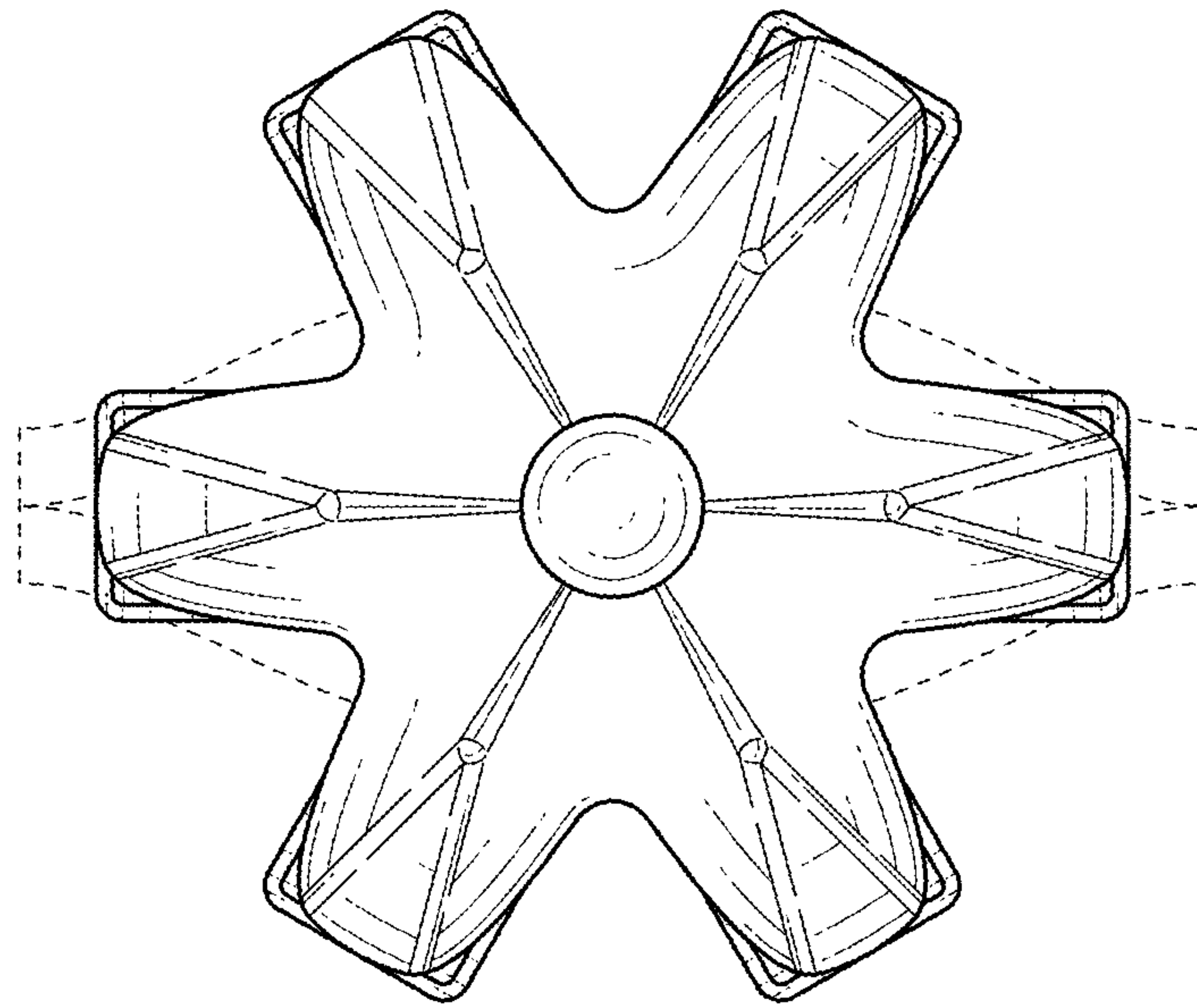


FIG. 3

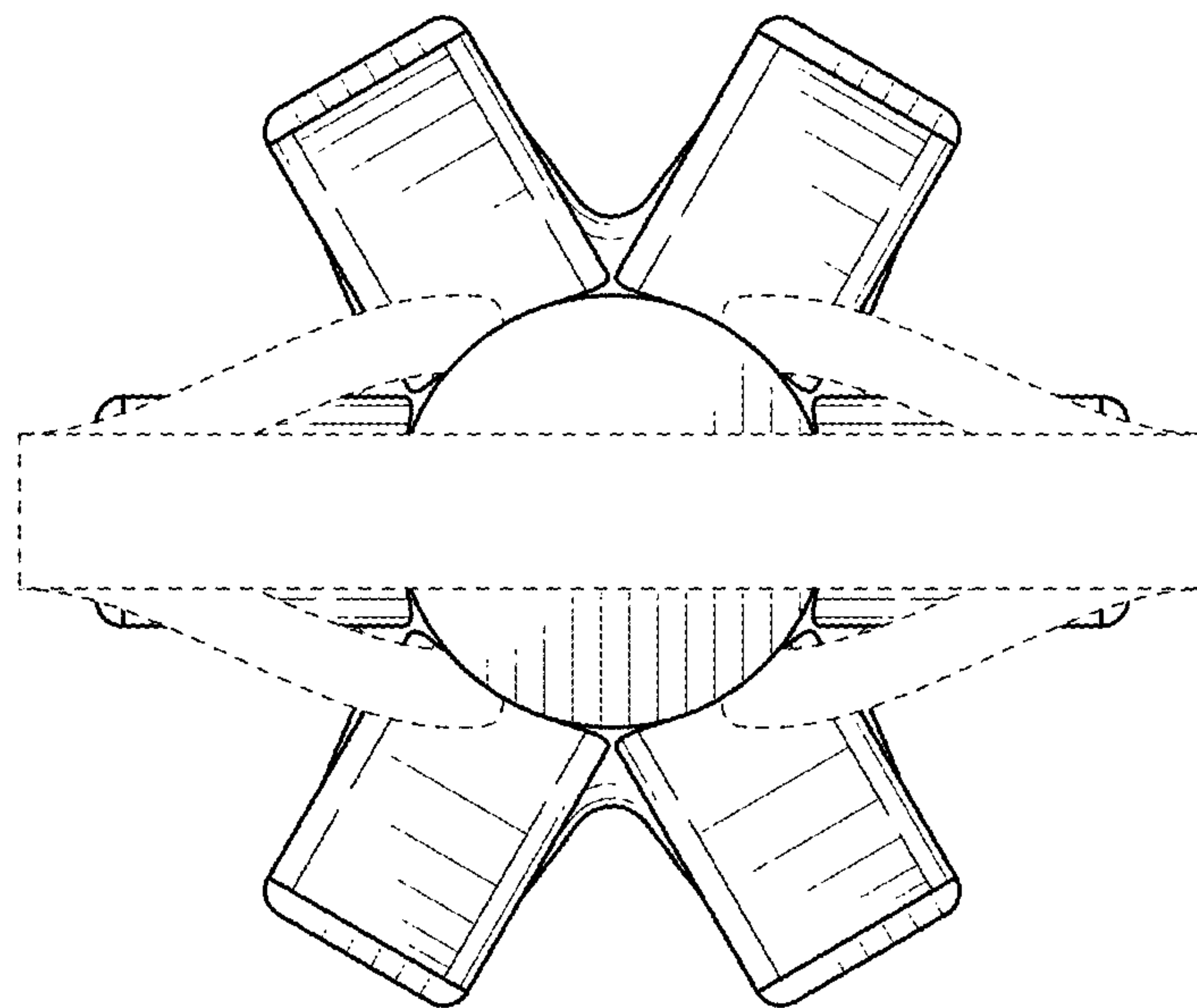


FIG. 4

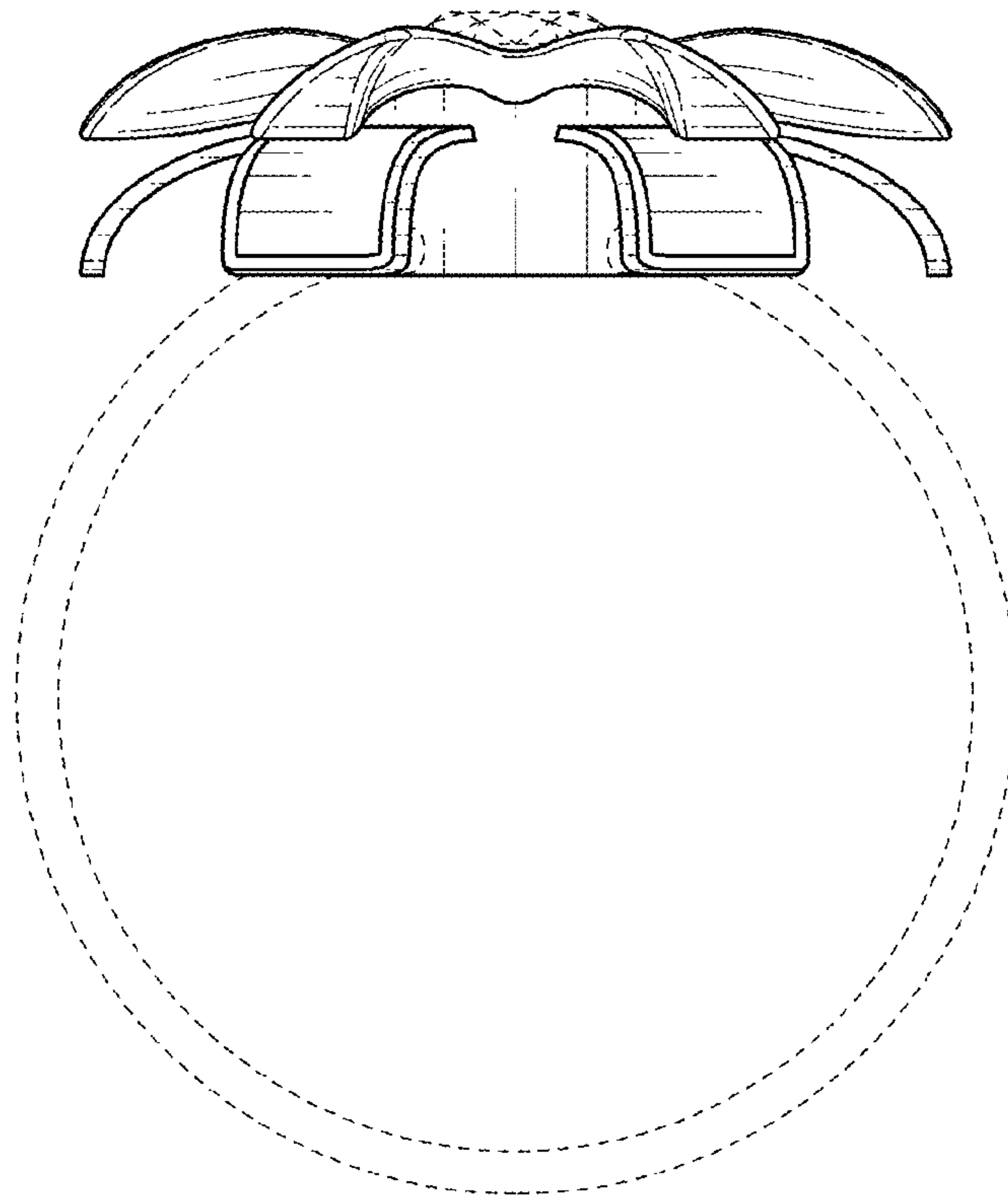


FIG. 5

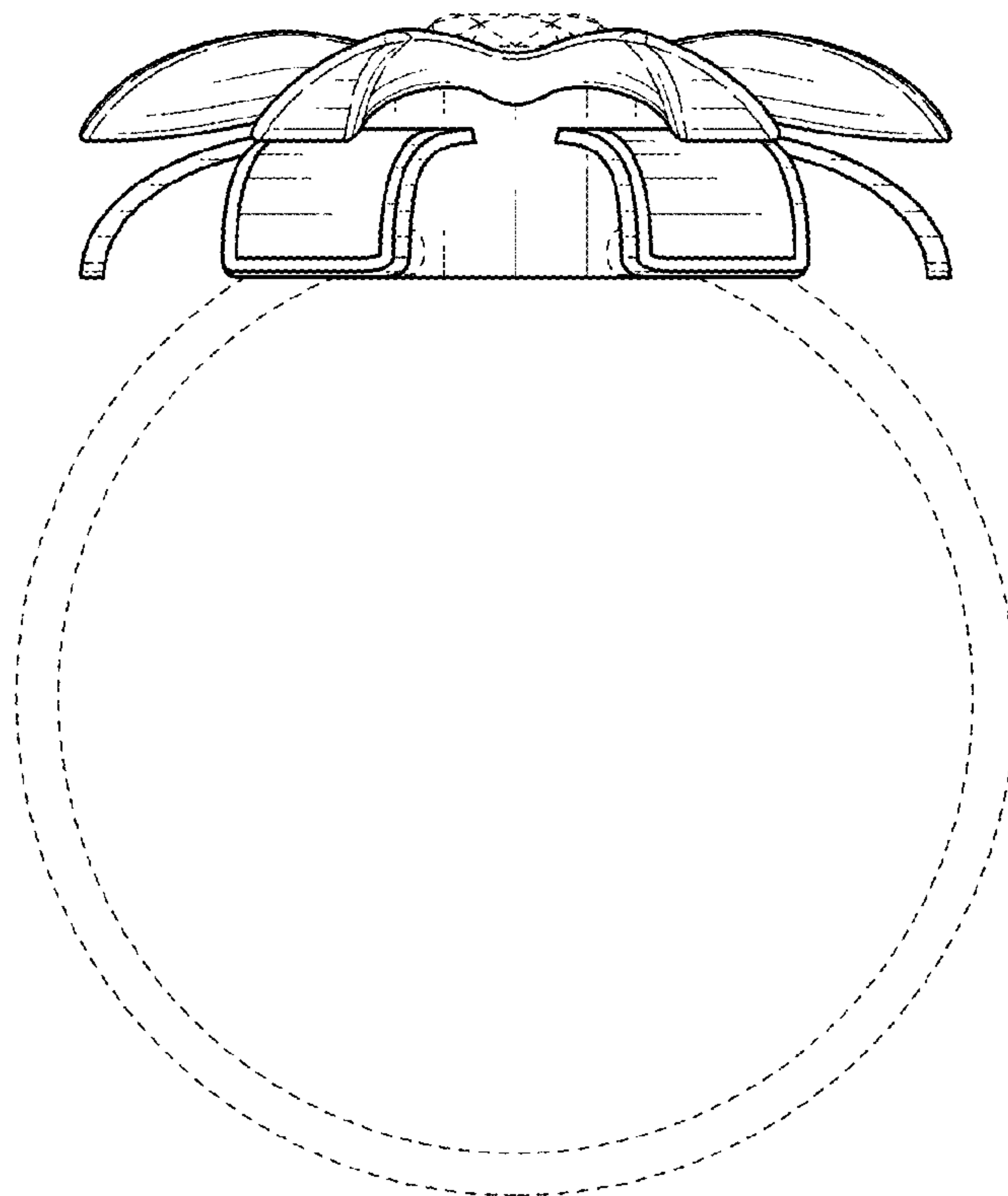


FIG. 6

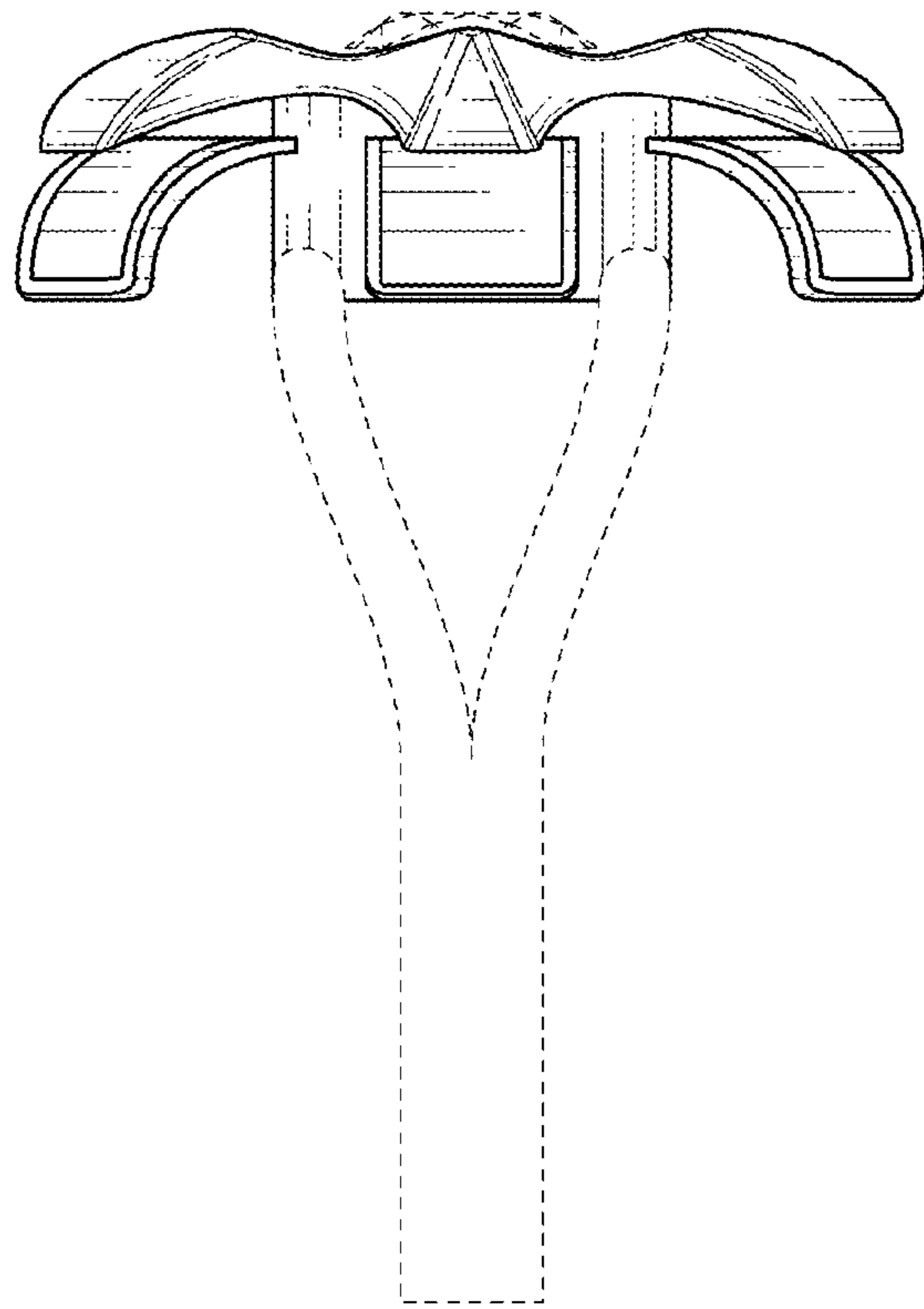


FIG. 7

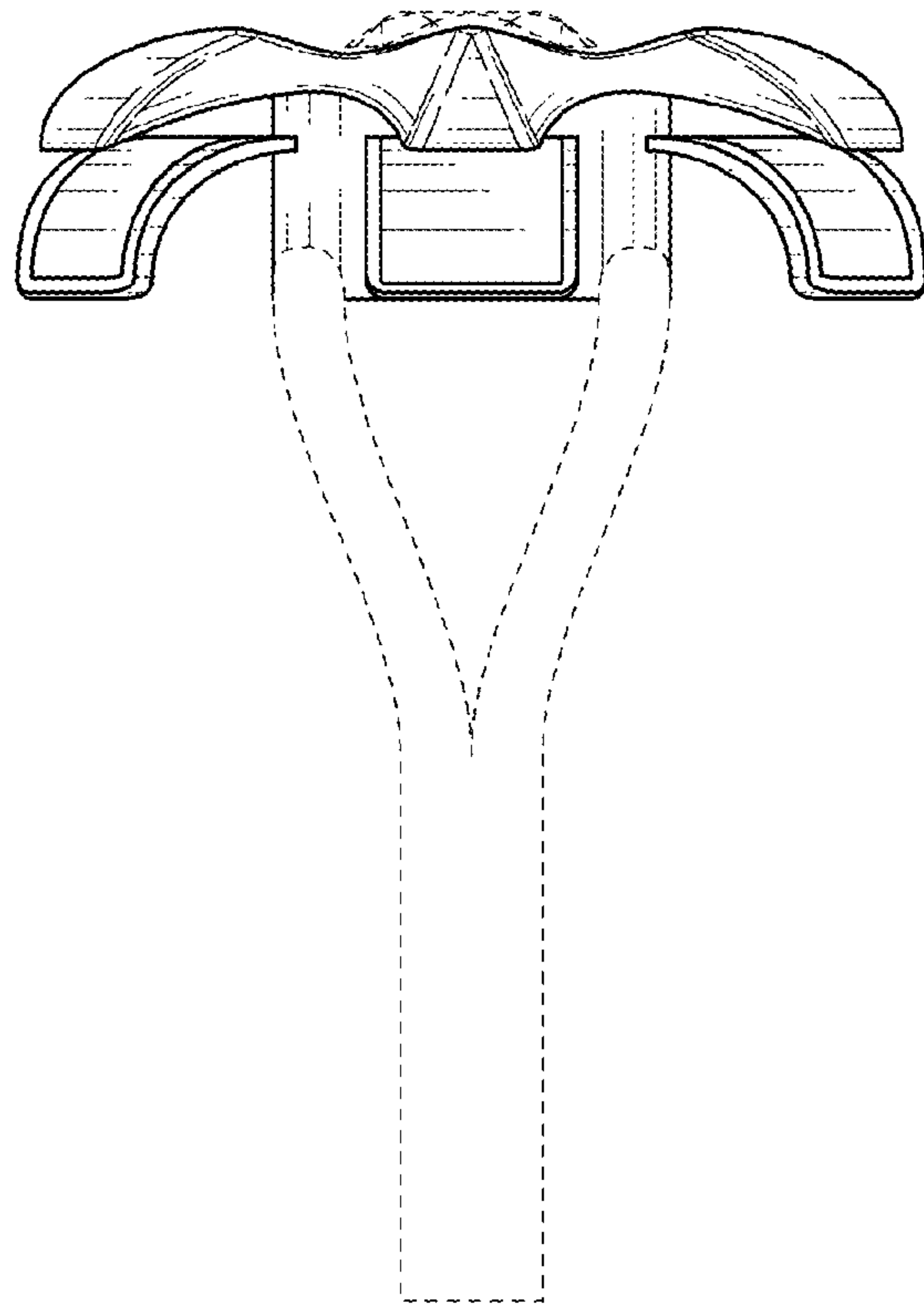


FIG. 8