



US00D951797S

(12) **United States Design Patent** (10) **Patent No.:** **US D951,797 S**  
**Sivriere** (45) **Date of Patent:** **\*\* May 17, 2022**

(54) **ARTICLE OF JEWELRY**

FOREIGN PATENT DOCUMENTS

(71) Applicant: **RICHEMONT INTERNATIONAL SA**, Villars-sur-Glane (CH)

CN 305280091 \* 7/2019  
WO D207322-005 \* 9/2020

(72) Inventor: **Stéphanie Sivriere**, Geneva (CH)

OTHER PUBLICATIONS

(73) Assignee: **RICHEMONT INTERNATIONAL SA**, Villars-sur-Glane (CH)

Possession Pendant, available 2022, online, site visited Mar. 9, 2022. Available online, URL: <https://www.piaget.com/jewelry/possession/rose-gold-malachite-diamond-pendant-g33pe300> (Year: 2022).\*

(\*\*) Term: **15 Years**

(Continued)

(21) Appl. No.: **29/734,252**

*Primary Examiner* — W. A. Teddy Falloway  
*Assistant Examiner* — Sarah J Ault

(22) Filed: **May 11, 2020**

(74) *Attorney, Agent, or Firm* — Oliff PLC

(30) **Foreign Application Priority Data**

Mar. 18, 2020 (WO) ..... WIPO93206

(51) **LOC (13) Cl.** ..... **11-01**

(52) **U.S. Cl.**  
USPC ..... **D11/7**

(58) **Field of Classification Search**

USPC ..... D11/1-23, 43, 79, 93, 94, 24, 25  
CPC ..... A44C 5/00; A44C 5/0007; A44C 5/0069;  
A44C 5/0076; A44C 5/02; A44C 5/027;  
A44C 5/04; A44C 5/08

See application file for complete search history.

(56) **References Cited**

U.S. PATENT DOCUMENTS

D31,545 S \* 9/1899 French ..... D11/7  
1,059,536 A \* 4/1913 Gammelgaard ..... A44C 5/08  
63/26  
1,419,370 A \* 6/1922 Genaille ..... A44C 5/00  
24/712  
1,477,235 A \* 12/1923 Ballou, Jr. .... A44C 11/00  
63/3.1  
D146,584 S \* 4/1947 Philippe ..... D11/8  
D150,418 S \* 8/1948 Katz ..... D11/43  
D152,976 S \* 3/1949 Katz ..... D11/8

(Continued)

(57) **CLAIM**

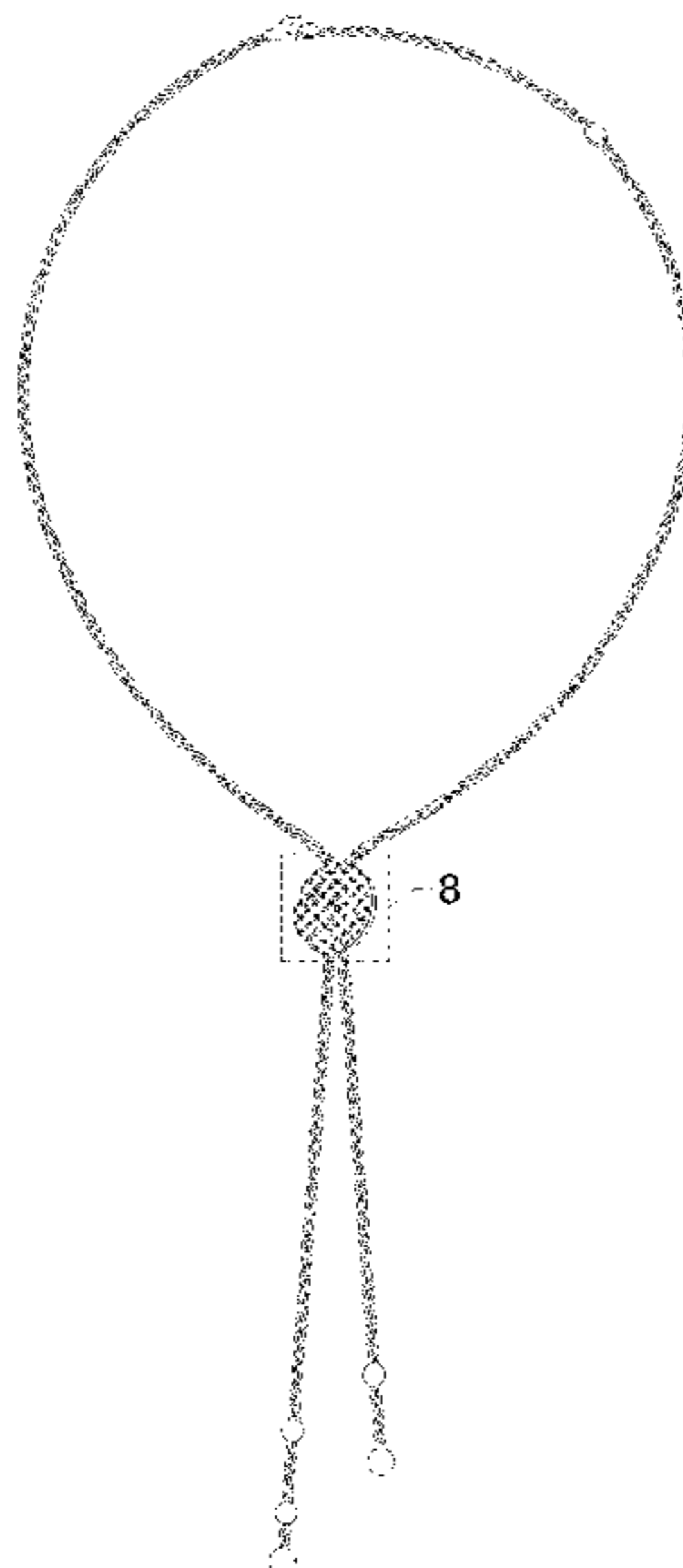
The ornamental design for an article of jewelry, as shown and described.

**DESCRIPTION**

FIG. 1 is a front, right-side perspective view of the article of jewelry, showing the new design;  
FIG. 2 is a front elevational view thereof;  
FIG. 3 is a rear elevational view thereof;  
FIG. 4 is a left-side elevational view thereof;  
FIG. 5 is a right-side elevational view thereof;  
FIG. 6 is a top plan view thereof;  
FIG. 7 is a bottom plan view thereof;  
FIG. 8 is an enlarged view of area 8 in FIG. 1;  
FIG. 9 is an enlarged view of area 9 in FIG. 2;  
FIG. 10 is an enlarged view of area 10 in FIG. 4;  
FIG. 11 is an enlarged view of area 11 in FIG. 5;  
FIG. 12 is an enlarged view of area 12 in FIG. 6; and,  
FIG. 13 is an enlarged view of area 13 in FIG. 7.

The broken lines depict either (i) parts of the article of jewelry that form no part of the claimed design, or (ii) enlargement areas that form no part of the claimed design.

**1 Claim, 6 Drawing Sheets**



(56)

References Cited

U.S. PATENT DOCUMENTS

D160,618 S \* 10/1950 Katz ..... D11/8  
 D160,622 S \* 10/1950 Katz ..... D11/8  
 D163,934 S \* 7/1951 Chernow ..... D11/8  
 D169,677 S \* 5/1953 Katz ..... D11/79  
 D172,032 S \* 4/1954 Katz ..... D11/18  
 D176,756 S \* 1/1956 Cowell ..... D11/8  
 D178,242 S \* 7/1956 Katz ..... D11/18  
 D187,043 S \* 1/1960 Ratajack ..... D11/7  
 3,225,565 A \* 12/1965 Bohlinger ..... A44C 5/209  
 24/522  
 D300,409 S \* 3/1989 Moser ..... D10/126  
 5,979,184 A \* 11/1999 Razza ..... A44C 15/0045  
 63/3  
 D426,788 S \* 6/2000 Wieck ..... D11/7  
 D438,483 S \* 3/2001 Mesica ..... D11/2  
 D518,403 S \* 4/2006 Armani ..... D11/7  
 D584,982 S \* 1/2009 Miloradovic ..... D11/3  
 D588,488 S \* 3/2009 Ellia ..... D11/13  
 D590,289 S \* 4/2009 Karpman ..... D11/7  
 D631,374 S \* 1/2011 Hegi ..... D10/38  
 D631,780 S \* 2/2011 Levy ..... D11/87  
 D633,085 S \* 2/2011 Chiu ..... D14/218  
 D654,822 S \* 2/2012 Greppi ..... D11/86  
 D687,735 S \* 8/2013 Frigerio ..... D11/3  
 D695,643 S \* 12/2013 Wolff ..... D11/79

D696,155 S \* 12/2013 Coratola ..... D11/221  
 D712,298 S \* 9/2014 Taylor-Cattapan ..... D11/79  
 D719,866 S \* 12/2014 Audette ..... D11/13  
 D721,982 S \* 2/2015 Yatsugi-Kang ..... D11/16  
 D722,279 S \* 2/2015 Kirkham ..... D11/43  
 D780,007 S \* 2/2017 Marchand ..... D11/13  
 9,756,909 B1 \* 9/2017 Bonner ..... A44C 25/001  
 D837,084 S \* 1/2019 Zhang ..... D11/12  
 D872,623 S \* 1/2020 Tersch ..... D11/13  
 D874,315 S \* 2/2020 Schwaninger ..... D11/8  
 D893,339 S \* 8/2020 Hill ..... D11/13  
 D927,345 S \* 8/2021 Sivriere ..... D11/43  
 D927,346 S \* 8/2021 Sivriere ..... D11/43

OTHER PUBLICATIONS

Celebrating Three Decades of Piaget’s Possession Collection, available Aug. 24, 2021, online, site visited Mar. 9, 2022. Available online, URL: <https://oliviapalermo.com/blogs/the-edit/piaget-possession-30th-anniversary-olivia-palermo> (Year: 2021).\*

Piaget Expands Its Possession Collection with New Novelties, available May 12, 2021, online, site visited Mar. 9, 2022. Available online, URL: <https://www.bagaddictsanonymous.com/jewellery/fine-jewellery/piaget-expands-its-possession-collection-with-new-novelties/> (Year: 2021).\*

\* cited by examiner

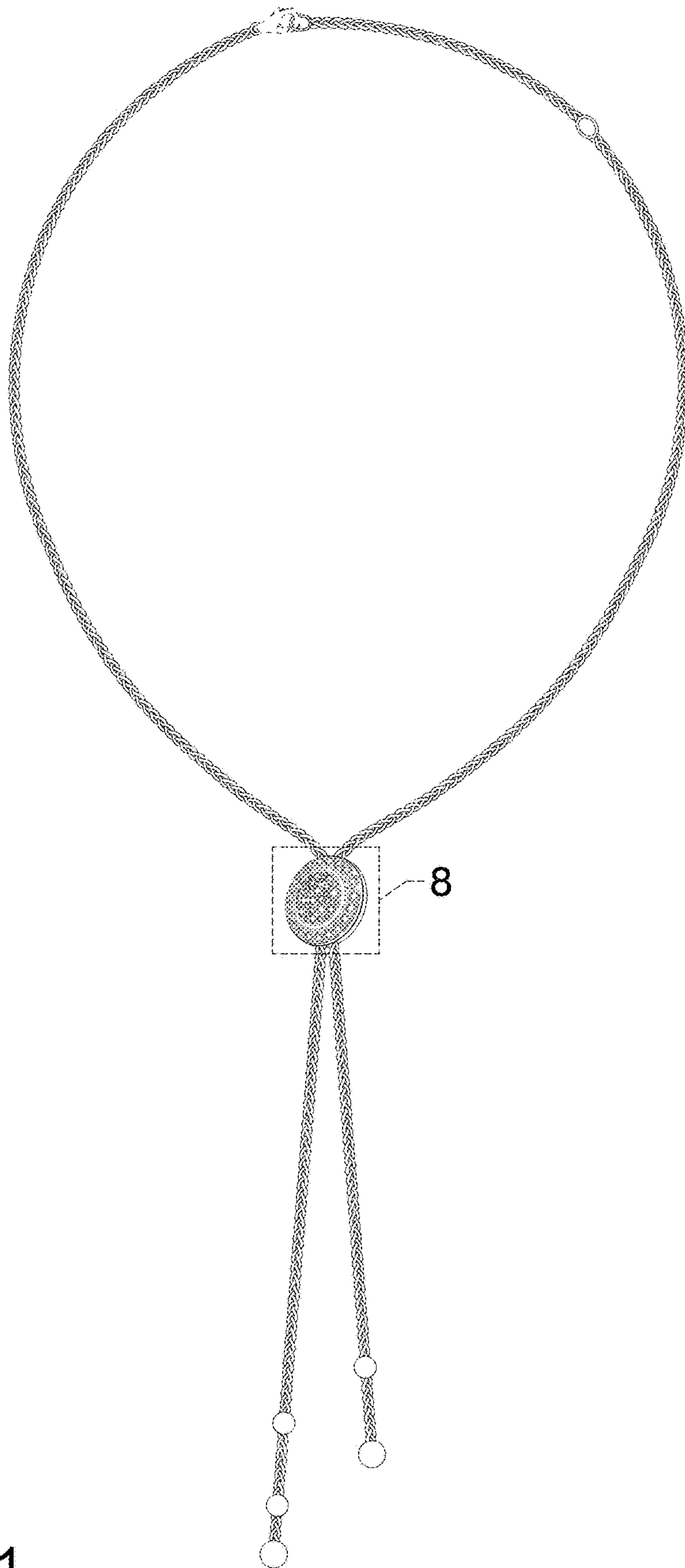


FIG. 1

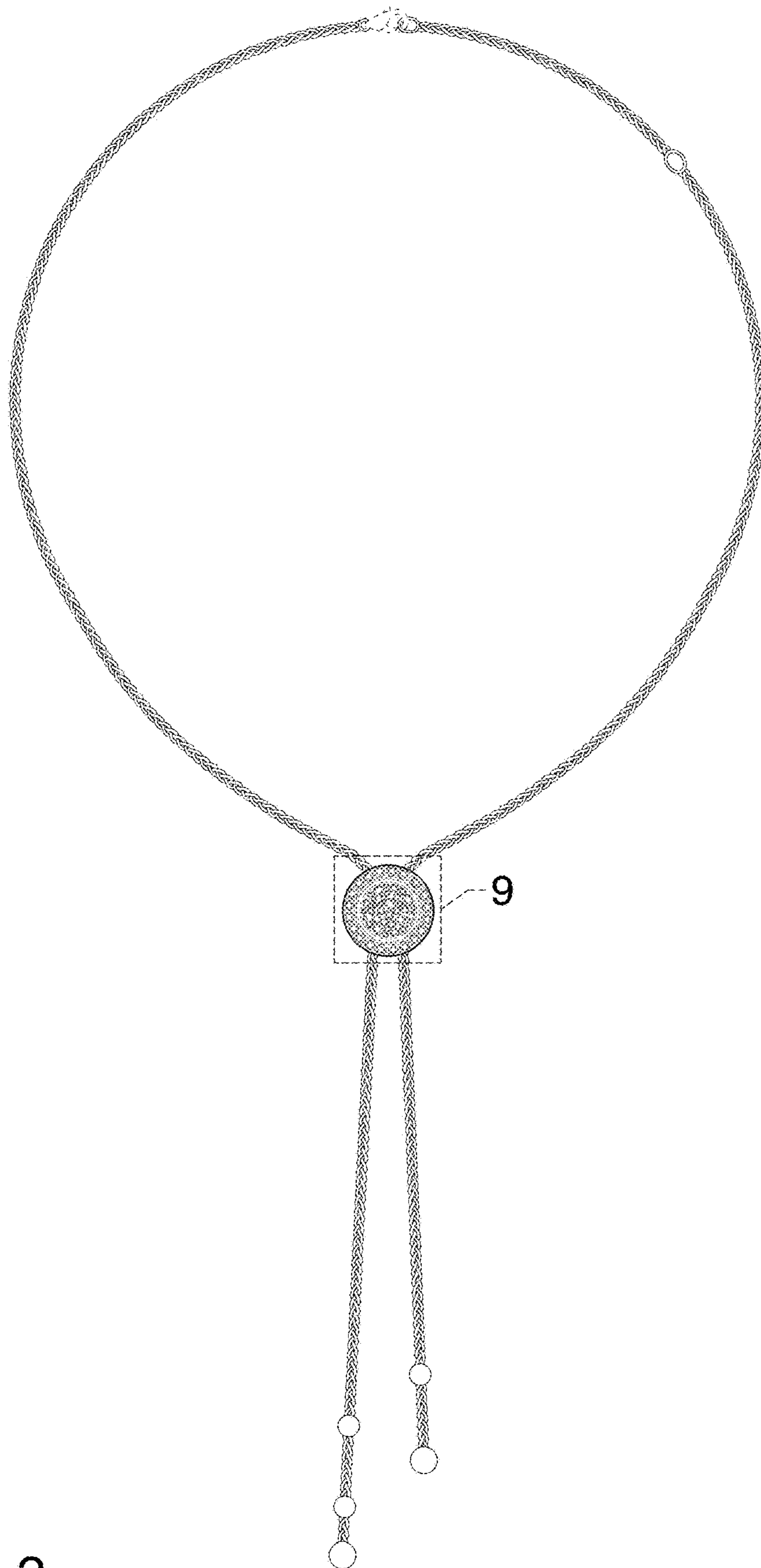


FIG. 2





FIG. 3

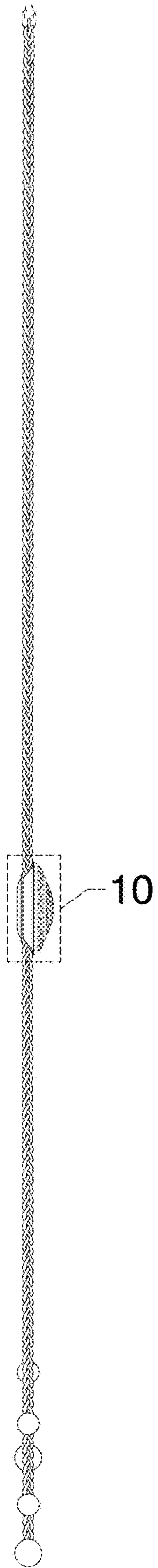


FIG. 4

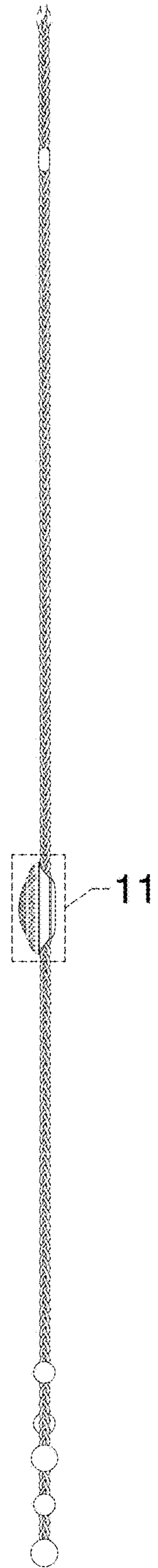


FIG. 5

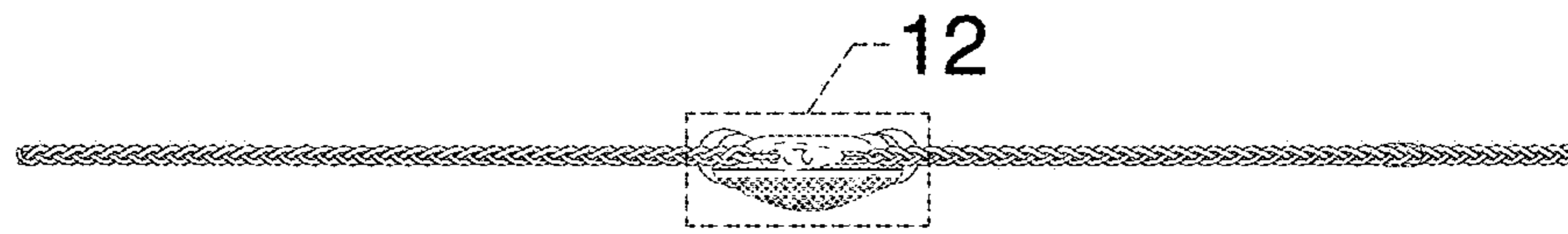


FIG. 6

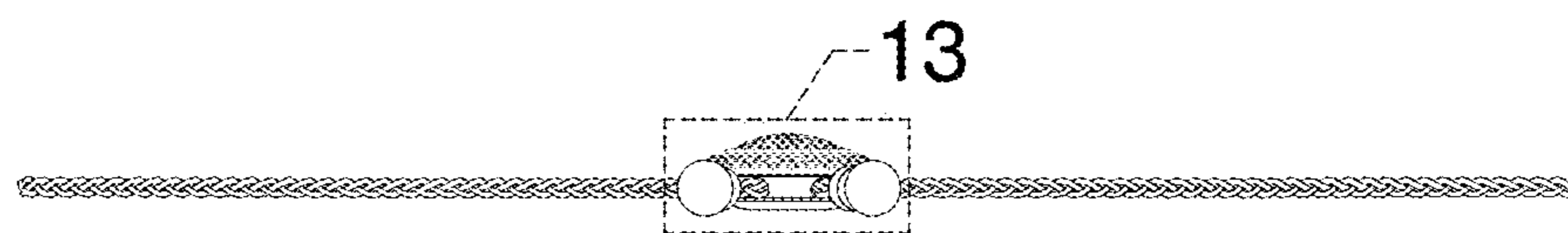


FIG. 7

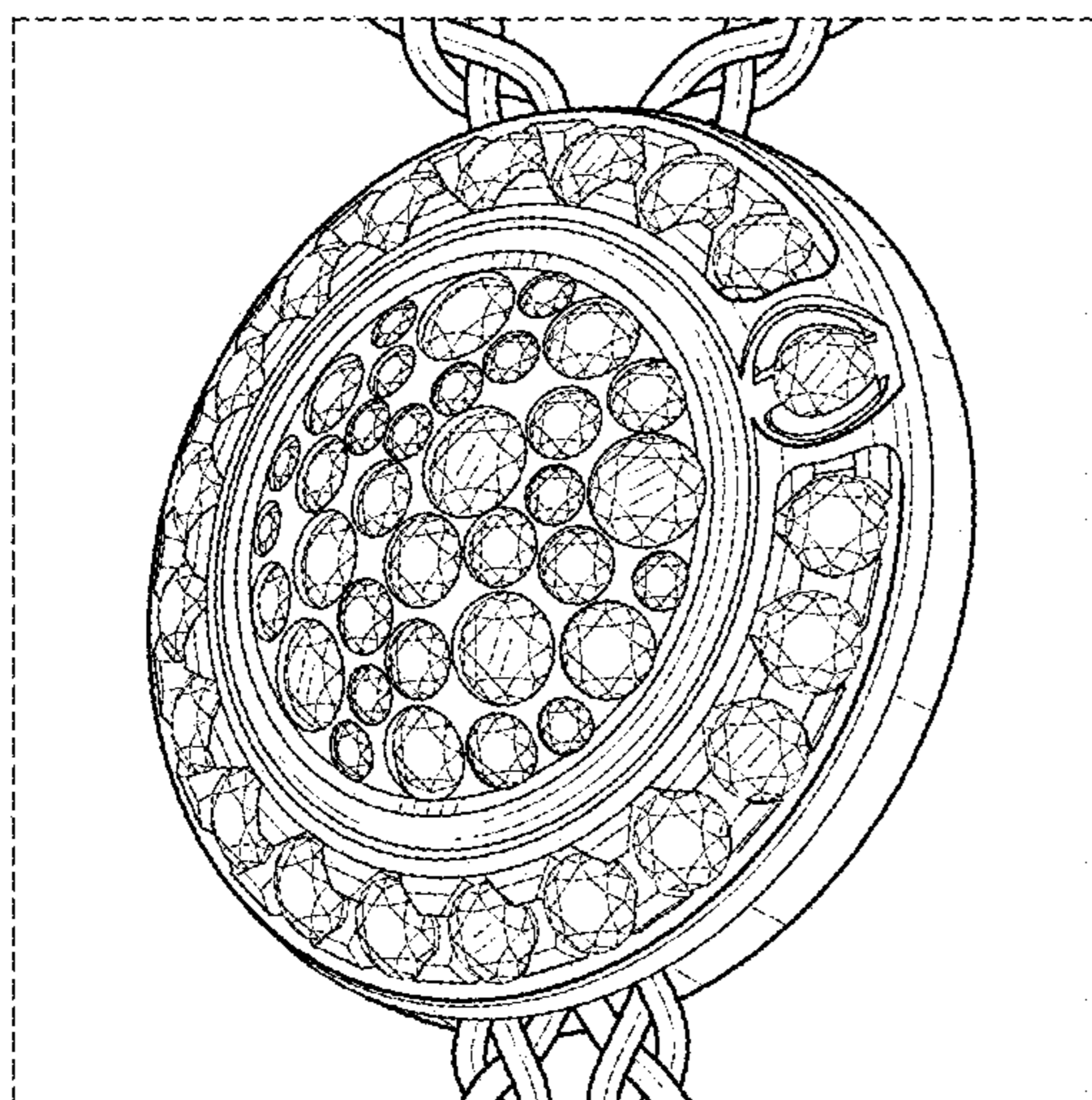


FIG. 8

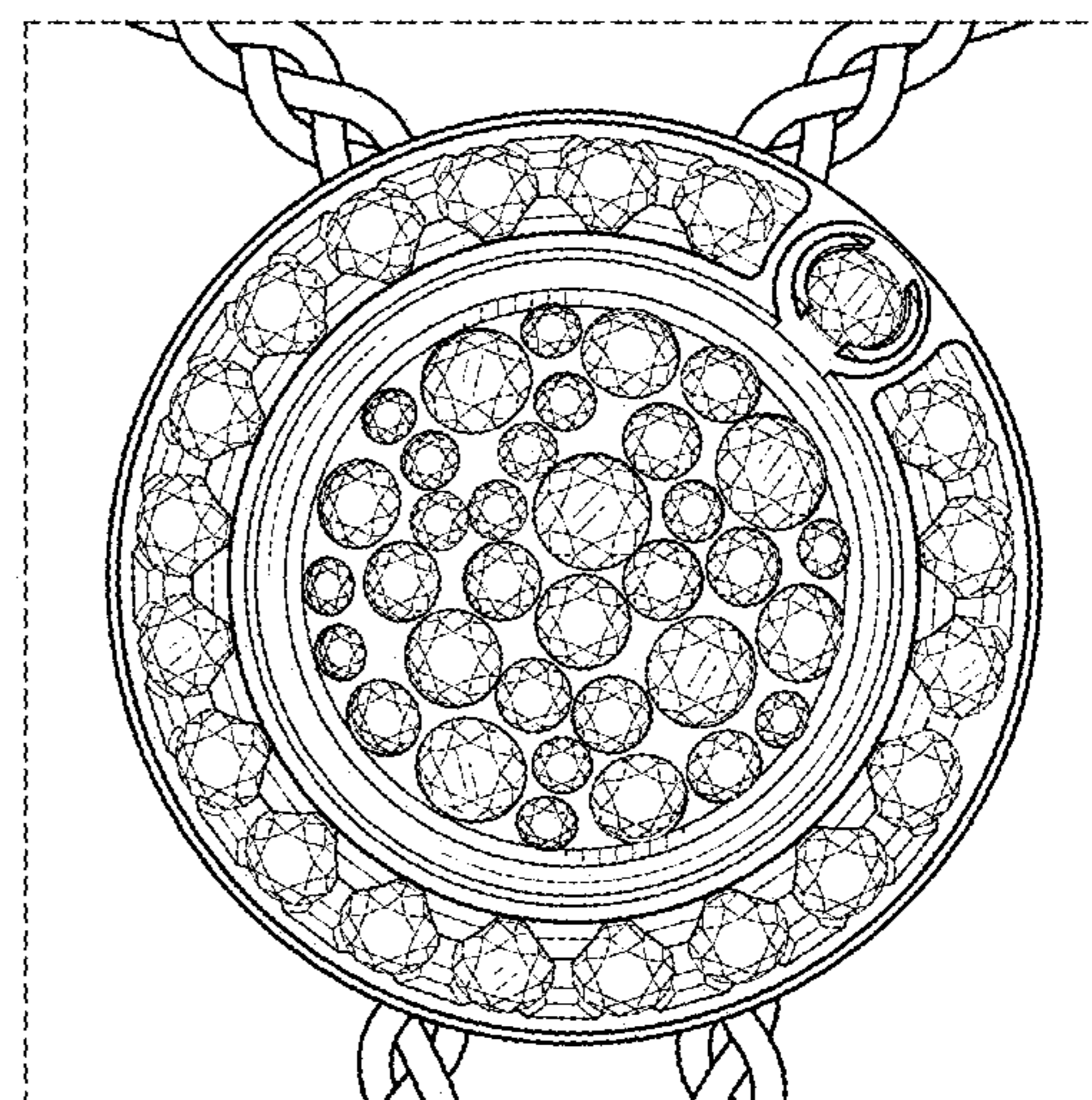


FIG. 9



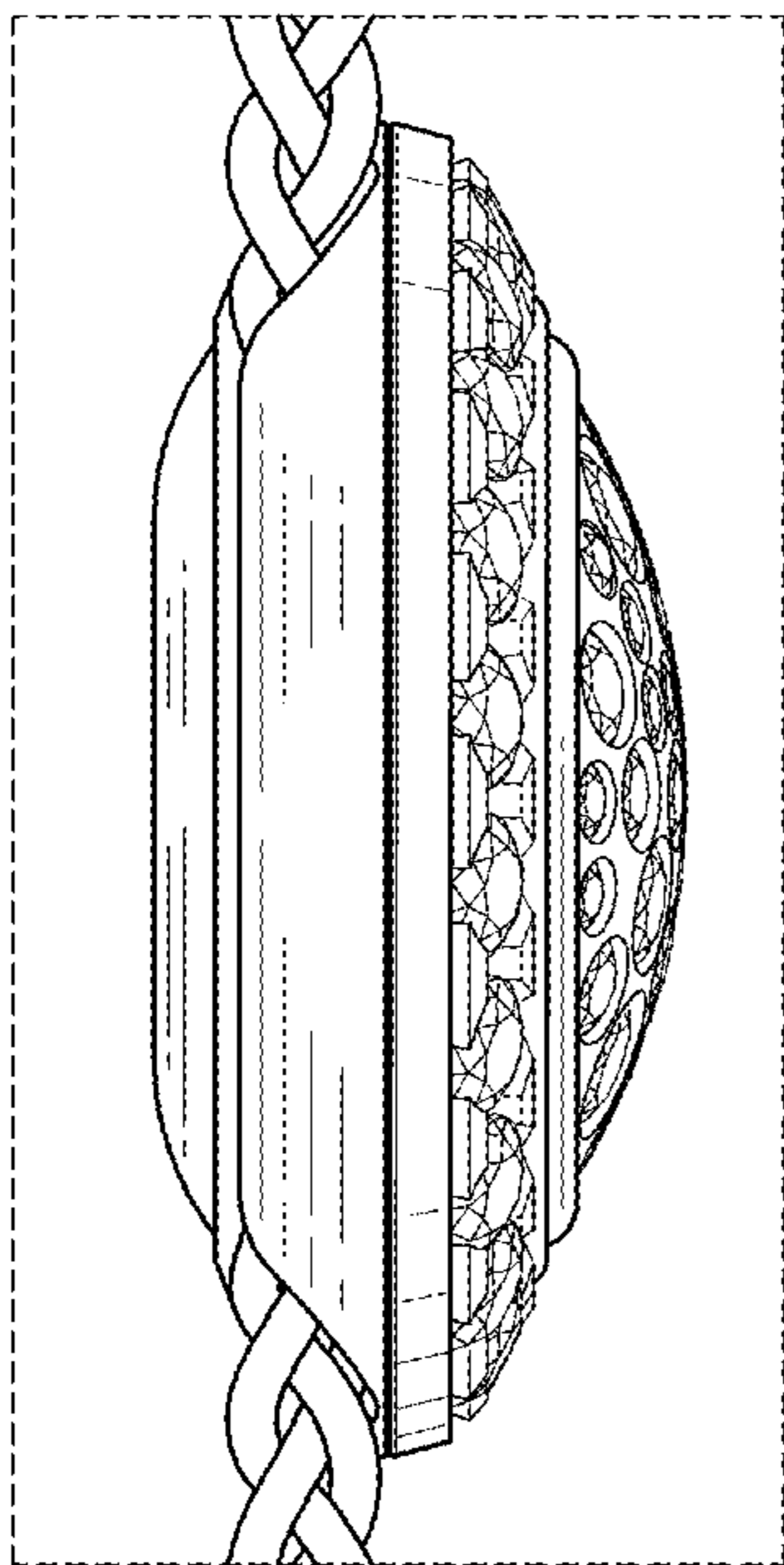


FIG. 10

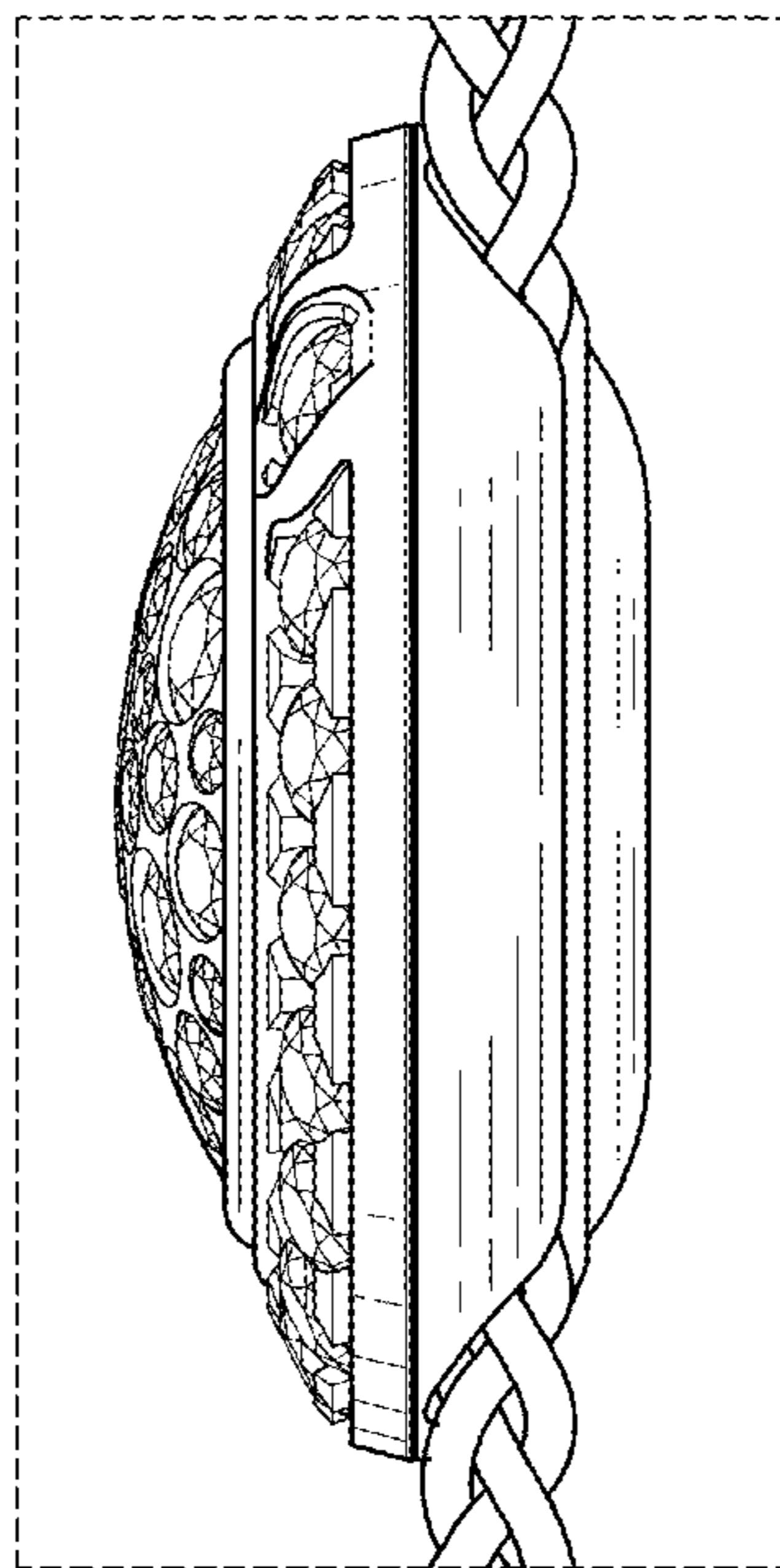


FIG. 11

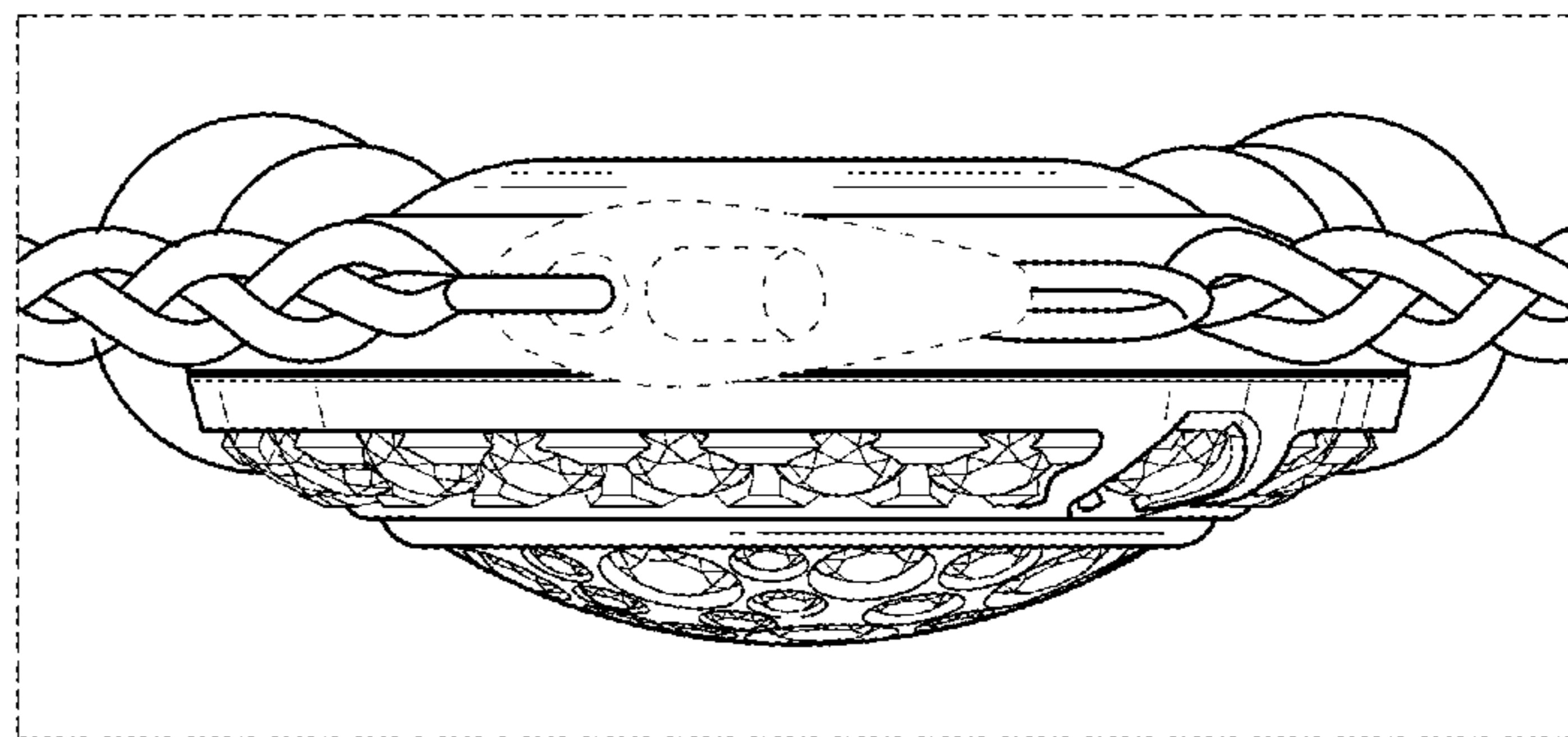


FIG. 12

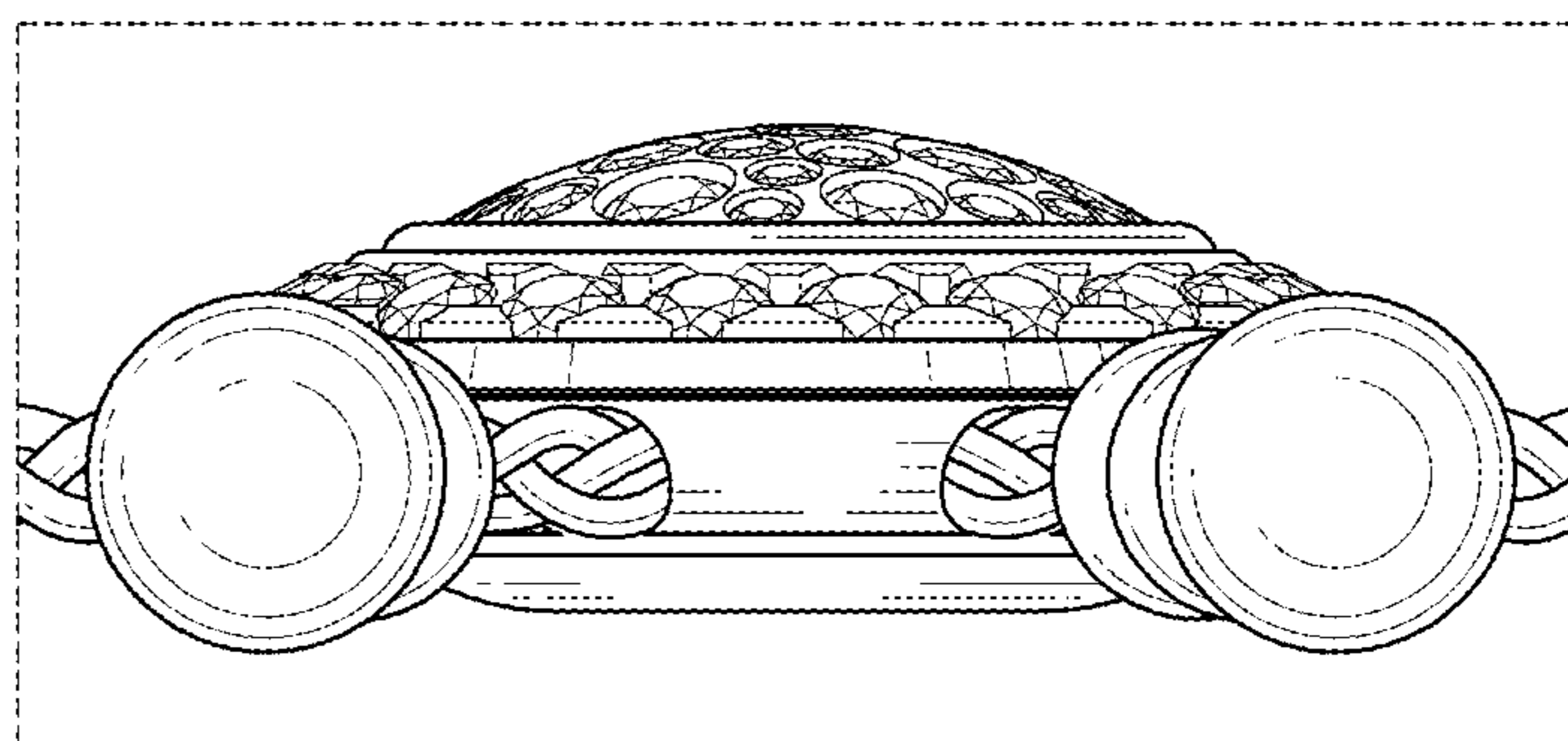


FIG. 13