



US00D951796S

(12) **United States Design Patent**
Cao

(10) **Patent No.:** **US D951,796 S**
(45) **Date of Patent:** **** May 17, 2022**

(54) **WATCHBAND**

(71) Applicant: **Jinhao Cao**, Leiyang (CN)

(72) Inventor: **Jinhao Cao**, Leiyang (CN)

(**) Term: **15 Years**

(21) Appl. No.: **29/755,151**

(22) Filed: **Oct. 18, 2020**

(51) **LOC (13) Cl.** **11-01**

(52) **U.S. Cl.**
USPC **D11/3**

(58) **Field of Classification Search**
USPC D11/1-3; D10/31, 32; D14/344;
D2/624, 626, 627, 634, 635, 638;
D30/152, 153
CPC A44C 5/00; A44C 5/0053; A44C 5/0069;
A44C 5/16; A44C 5/20
See application file for complete search history.

(56) **References Cited**

U.S. PATENT DOCUMENTS

D71,557 S	*	11/1926	Lederer	D11/3
D470,778 S	*	2/2003	Berke	D10/32
D640,156 S	*	6/2011	Chan	D11/3
D656,856 S	*	4/2012	Kleinberg	D11/3
D675,123 S	*	1/2013	Nunez	D11/3
D716,172 S	*	10/2014	Howe	D11/3
D727,197 S	*	4/2015	Akana	D11/3
D747,714 S	*	1/2016	Erbeus	D10/32
D747,997 S	*	1/2016	Akana	D11/3
D753,008 S	*	4/2016	Akana	D11/3
D755,662 S	*	5/2016	Akana	D11/3
D768,623 S	*	10/2016	Zou	D14/344
D779,993 S	*	2/2017	Akana	D11/3
D781,171 S	*	3/2017	Akana	D11/3
D781,852 S	*	3/2017	Yu	D14/344
D791,634 S	*	7/2017	Bang	D11/3
D802,467 S	*	11/2017	Novak	D11/3
D803,709 S	*	11/2017	Le Bihan	D14/344

D804,335 S	*	12/2017	Bihan	D14/344
D823,853 S	*	7/2018	Yoshimoto	D14/344
D824,273 S	*	7/2018	Akana	D11/3
D831,644 S	*	10/2018	Wu	D14/344
D831,645 S	*	10/2018	Wu	D14/344
D837,206 S	*	1/2019	Guan	D14/344

(Continued)

OTHER PUBLICATIONS

BLOTOW Sport Watch Bands, Amazon.com, available for sale since at least Jun. 23, 2020, online. Site visited on Nov. 18, 2021. URL: <"https://www.amazon.com/BLOTOW-Compatible-Silicone-Pattern-Replacement/dp/B08BR7PZ44/"> (Year: 2020).*

(Continued)

Primary Examiner — Llorellys Martinez

(57) **CLAIM**

The ornamental design for a watchband, as shown and described.

DESCRIPTION

FIG. 1 is a first perspective view of watchband showing my new design;

FIG. 2 is a second perspective view thereof;

FIG. 3 is a front view thereof;

FIG. 4 is a back view thereof;

FIG. 5 is a left side view thereof;

FIG. 6 is a right side view thereof;

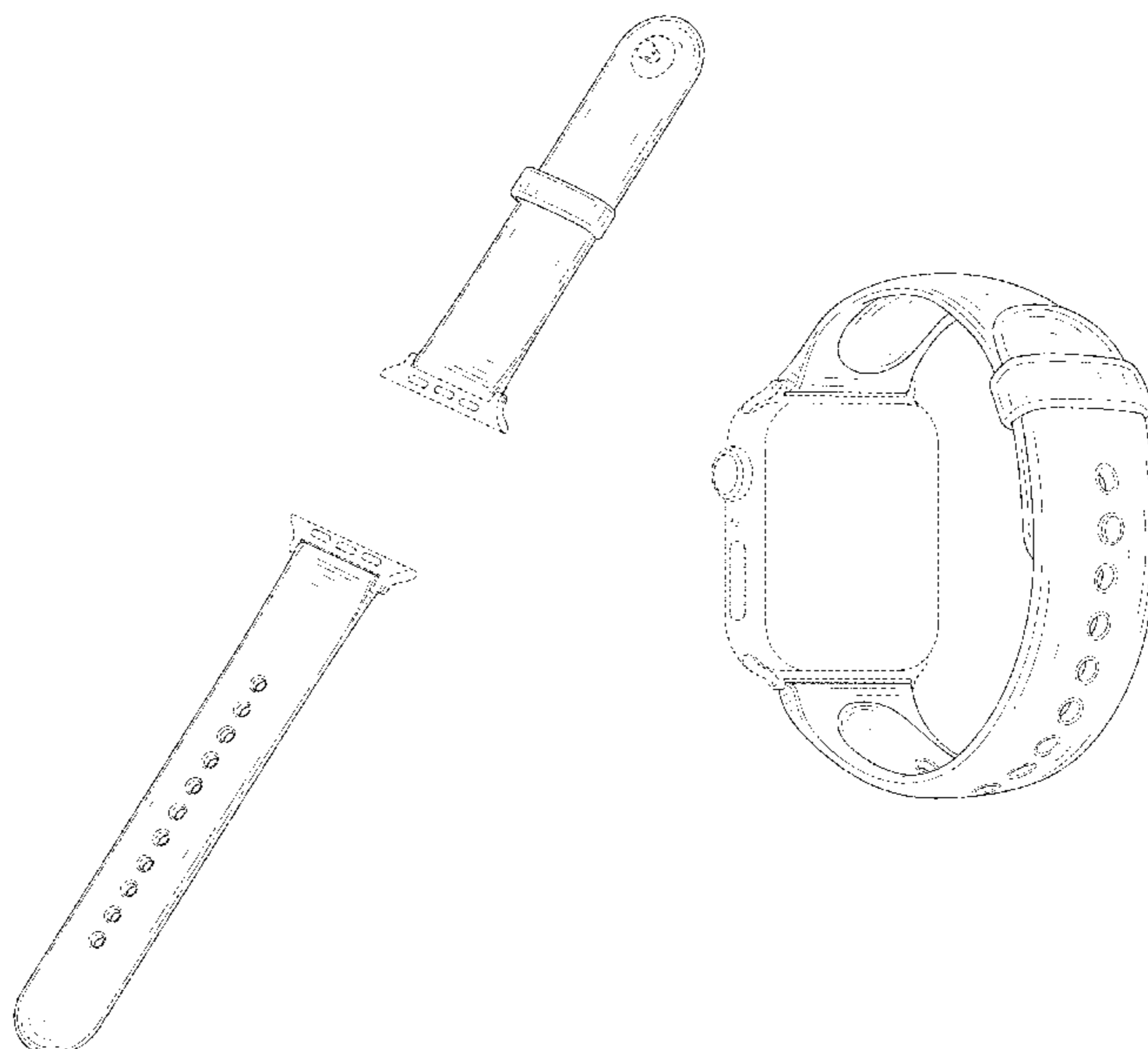
FIG. 7 is a top view thereof;

FIG. 8 is a bottom view thereof; and,

FIG. 9 is a perspective view of another state of the watchband thereof.

The broken lines in the drawings represent portions of the watchband that form no part of the claimed design. The other broken lines in FIG. 9 showing a device represent environmental subject matter only and form no part of the claimed design.

1 Claim, 9 Drawing Sheets



(56)

References Cited

U.S. PATENT DOCUMENTS

D837,674 S * 1/2019 Akana D11/3
 D850,969 S 6/2019 Brown et al.
 D854,439 S * 7/2019 Dukerschein D11/3
 D862,276 S * 10/2019 Herz D11/3
 D863,095 S * 10/2019 Akana D11/3
 D874,298 S * 2/2020 Xie D14/344
 D876,244 S * 2/2020 Park D10/32
 D879,643 S * 3/2020 Deng D11/3
 D879,644 S 3/2020 Deng et al.
 D879,645 S 3/2020 Lin
 D881,739 S * 4/2020 Deng D11/3
 D889,459 S * 7/2020 Zhang D14/344
 D898,603 S * 10/2020 Nauroy D11/3
 D900,809 S * 11/2020 Gao D14/344
 D900,810 S * 11/2020 Ke D14/344
 D901,322 S * 11/2020 Riot D14/344
 D902,769 S * 11/2020 Riot D14/344
 D909,225 S * 2/2021 Riot D11/3
 D909,369 S * 2/2021 Wu D14/344
 D912,665 S * 3/2021 Zhang D14/344
 D919,468 S * 5/2021 Chao D11/3
 D920,134 S * 5/2021 Droze D10/32

D920,830 S * 6/2021 Chao D11/3
 D923,004 S * 6/2021 Gao D14/344
 D925,871 S * 7/2021 Leatherman D11/3
 D926,753 S * 8/2021 Wu D14/344
 D927,484 S * 8/2021 Wu D14/344
 D928,148 S * 8/2021 Wu D14/344
 D931,853 S * 9/2021 Xu D14/344
 D933,065 S * 10/2021 Hong D14/344
 D933,066 S * 10/2021 Li D14/344
 D933,648 S * 10/2021 Yu D14/344
 D934,860 S * 11/2021 King D14/344
 D935,453 S * 11/2021 Gao D14/344
 D938,416 S * 12/2021 King D14/344
 D940,706 S * 1/2022 Wu D14/344
 D942,484 S * 2/2022 Luo D10/32
 2018/0220754 A1 * 8/2018 Strebe A44C 5/0053

OTHER PUBLICATIONS

Smart Strappers website, published on Jan. 18, 2018, online.
 URL: <<"https://web.archive.org/web/20180118192408/https://www.smartstrappers.com/"> acquired on Feb. 17, 2022 (Year: 2018).*

* cited by examiner

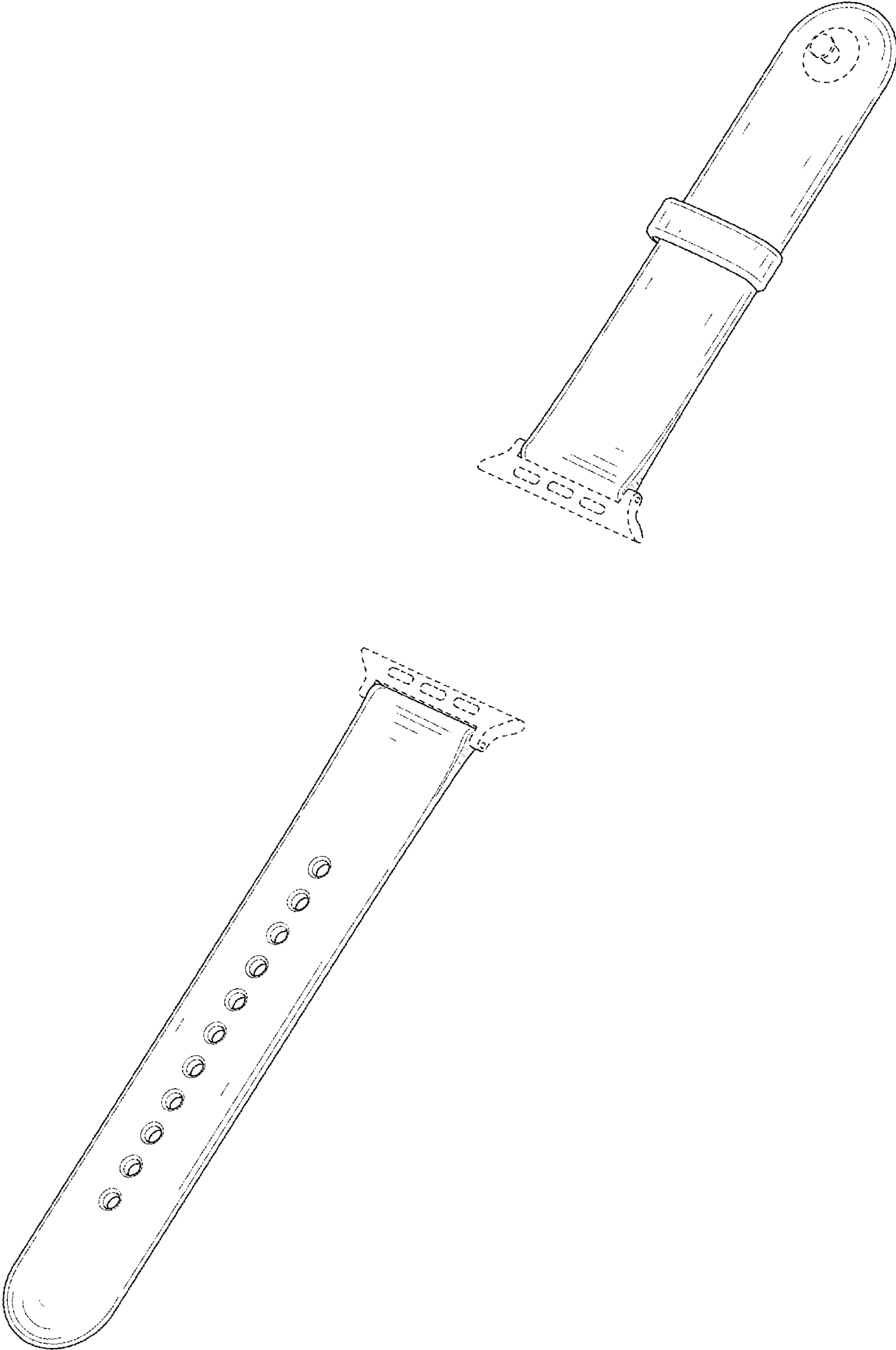


FIG. 1

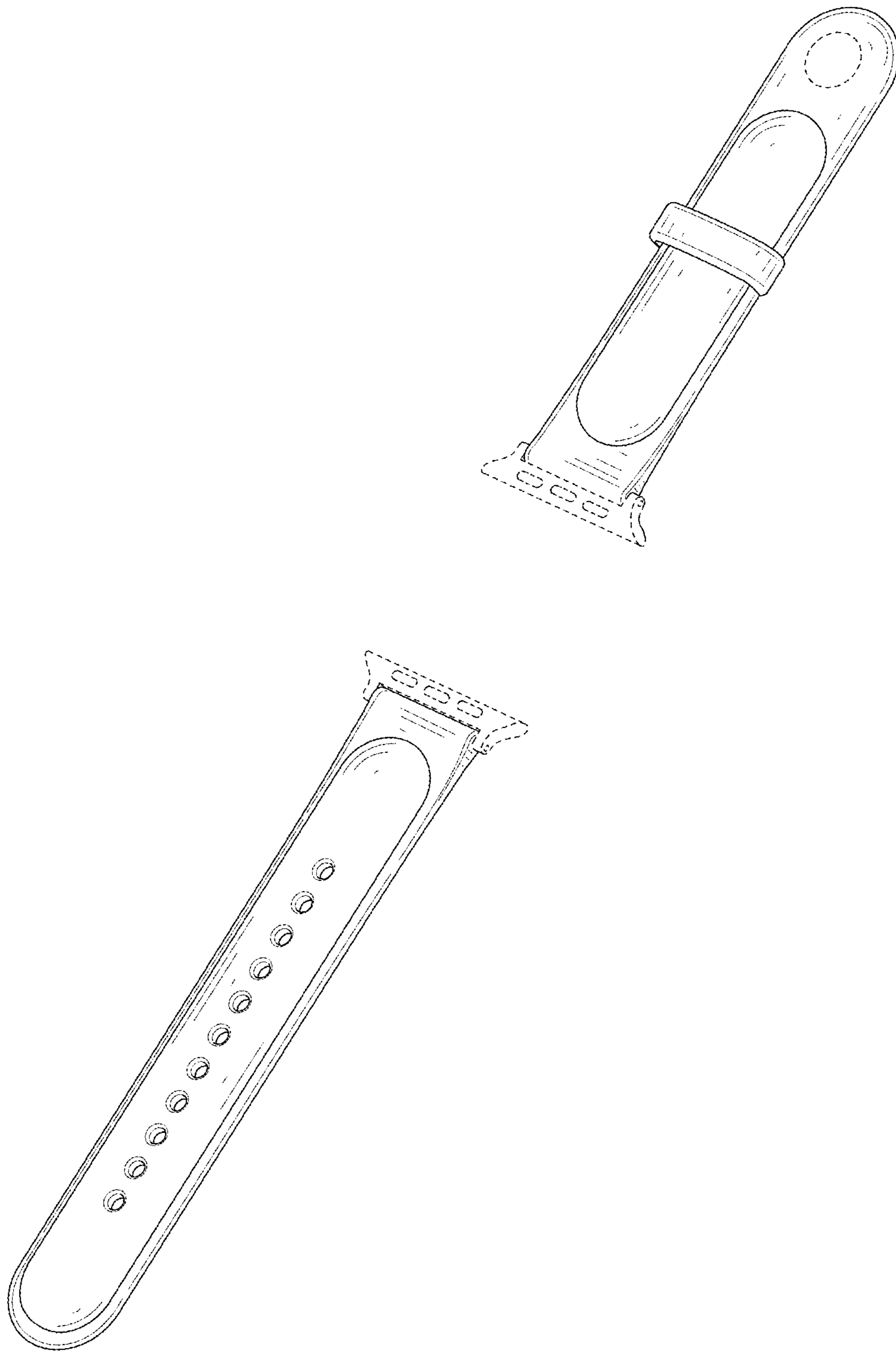


FIG. 2

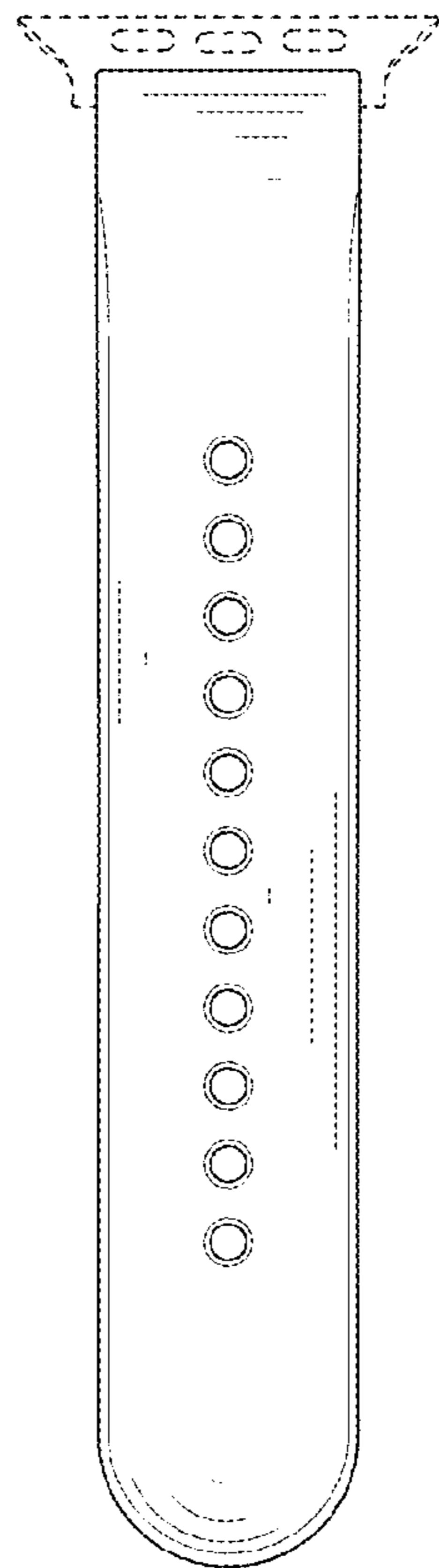
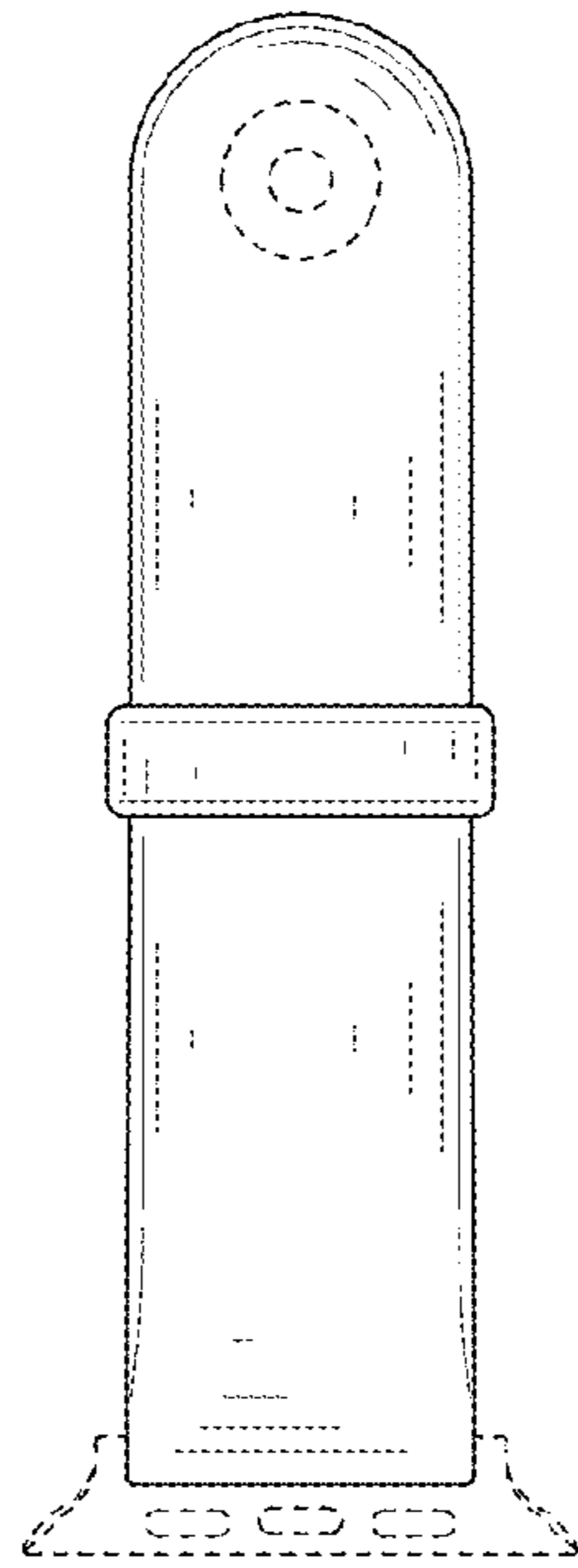


FIG. 3

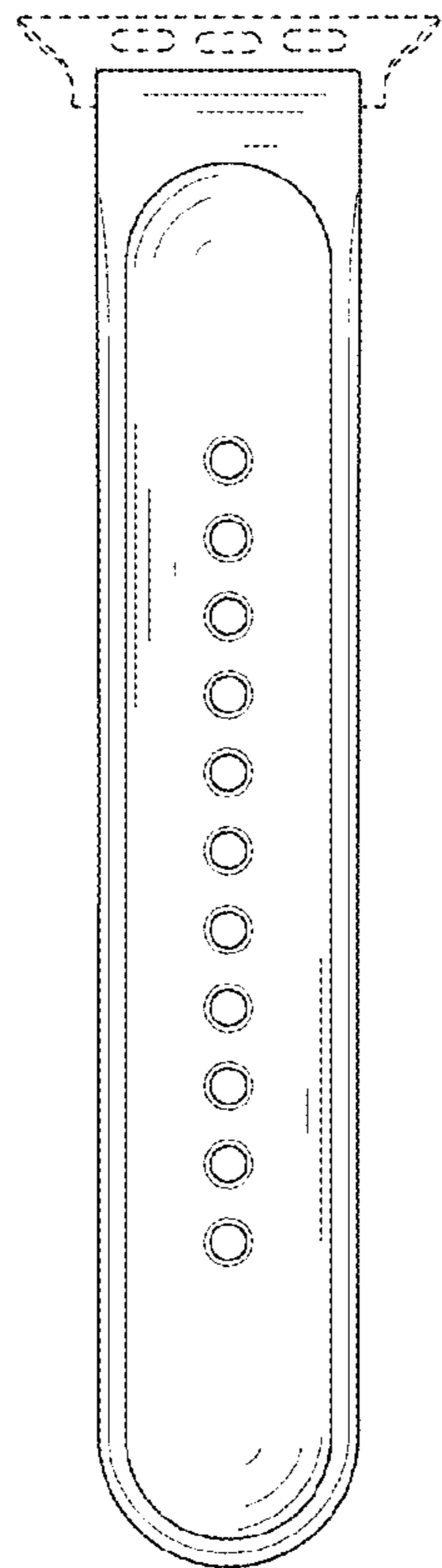
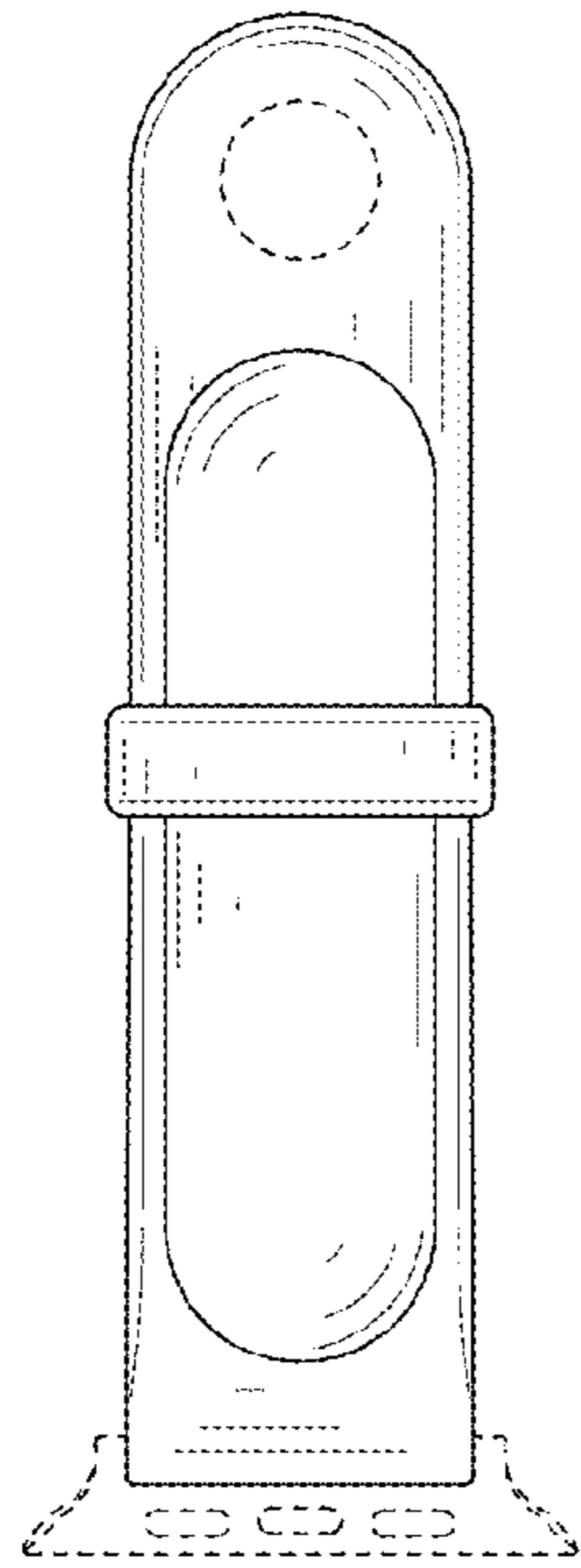


FIG. 4

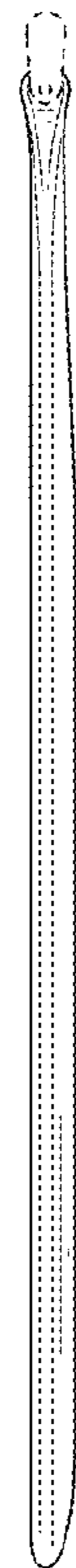
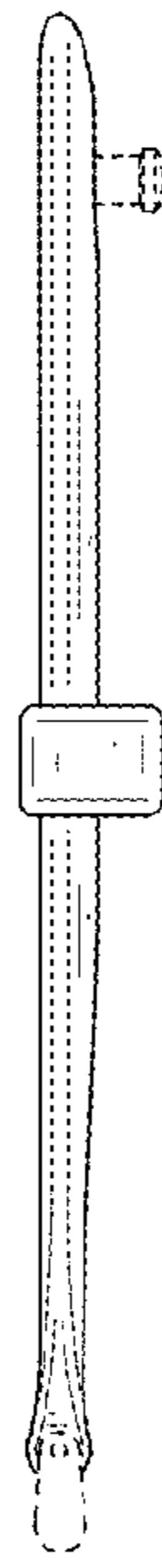


FIG. 5

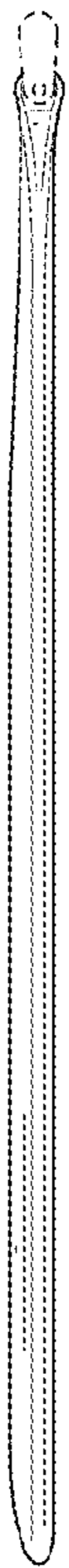
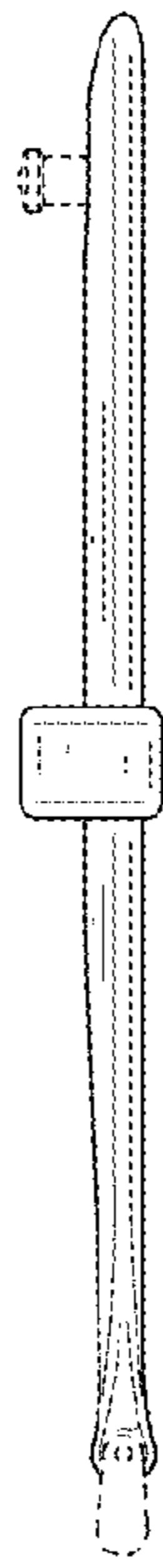


FIG. 6



FIG. 7

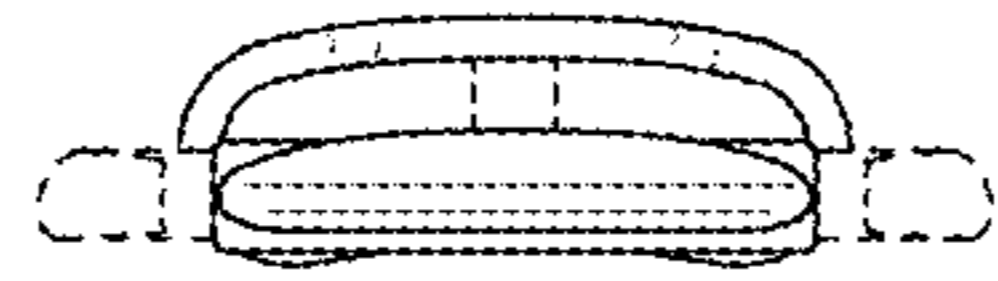


FIG. 8

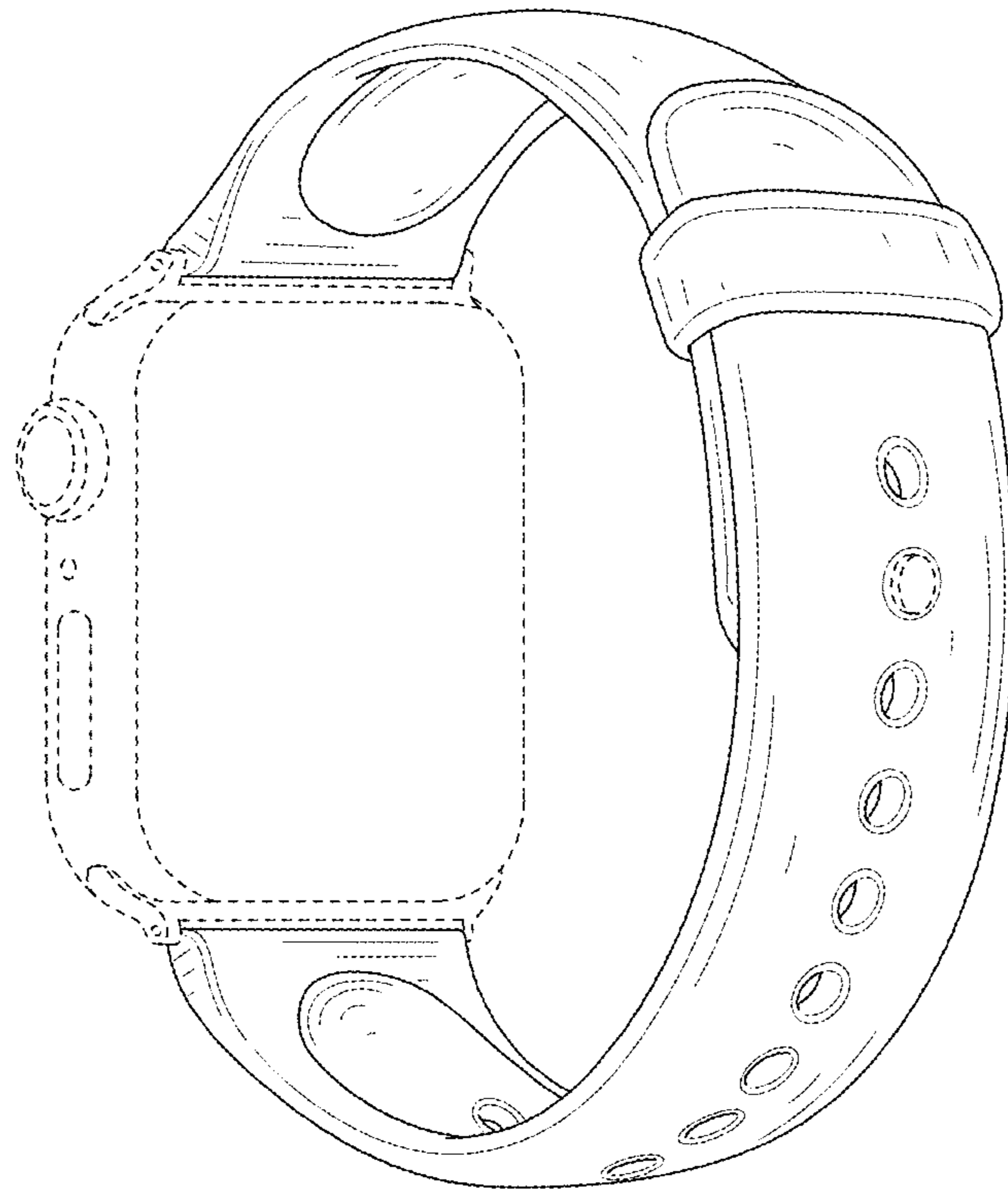


FIG. 9