



US00D951795S

(12) **United States Design Patent**
Shannon

(10) **Patent No.:** **US D951,795 S**
(45) **Date of Patent:** **** May 17, 2022**

(54) **STRIPED WATCH BAND**

- (71) Applicant: **Earl T. Shannon**, Fort Lauderdale, FL (US)
- (72) Inventor: **Earl T. Shannon**, Fort Lauderdale, FL (US)
- (**) Term: **15 Years**
- (21) Appl. No.: **29/684,138**
- (22) Filed: **Mar. 19, 2019**

Related U.S. Application Data

- (63) Continuation of application No. 29/537,641, filed on Aug. 27, 2015, now Pat. No. Des. 845,162.
 - (51) **LOC (13) Cl.** **11-01**
 - (52) **U.S. Cl.**
USPC **D11/3**
 - (58) **Field of Classification Search**
USPC D11/1-26, 86, 87, 93, 94; D10/70, 98, D10/32, 38, 30, 31, 33, 34, 35, 36, 37, D10/39; D24/167, 200; D14/344; D3/203.1, 215, 218, 201
CPC A44C 5/00; A44C 5/0007; A44C 5/0015; A44C 5/0023; A44C 5/003; A44C 5/0038; A44C 5/0053; A44C 5/0061; A44C 5/0069; A44C 5/0076; A44C 5/0084; A44C 5/0092; A44C 5/02; A44C 5/025; A44C 5/027; A44C 5/08; A61B 5/02405; G04B 19/04; G04B 19/06; G04B 19/065; G04B 19/23; G04B 19/08; G04B 19/10; G04B 19/12; G04B 19/24; G04B 19/26; G04B 19/268; G04B 19/30; G04B 37/084; G04B 37/0008; G04B 37/0058; G04B 37/1486; G04B 17/08; G04B 17/00; G04B 17/005; G04B 17/285; G04B 37/18; G04B 37/081; G04B 37/082
- See application file for complete search history.

(56) **References Cited**

U.S. PATENT DOCUMENTS

D42,657 S	6/1912	Wachter
D64,259 S	3/1924	McDermott
D78,958 S	7/1929	Wewetzer
1,766,971 A	6/1930	Augenstein
2,035,671 A	3/1936	Sauer, Jr.
D123,814 S	12/1940	Megur
D142,879 S	11/1945	Livingston
D158,918 S	6/1950	Winn
D164,343 S	8/1951	Wishengrad
D171,005 S	12/1953	Nolin

(Continued)

OTHER PUBLICATIONS

[Online] <https://i.pinimg.com>, "Cute apple watch bands apple watch accessories", Retrieved Dec. 10, 2017, previously in U.S. Appl. No. 29/537,641.

(Continued)

Primary Examiner — Melanie Pellegrini
(74) *Attorney, Agent, or Firm* — The Concept Law Group, PA; Scott D. Smiley; Scott M. Garrett

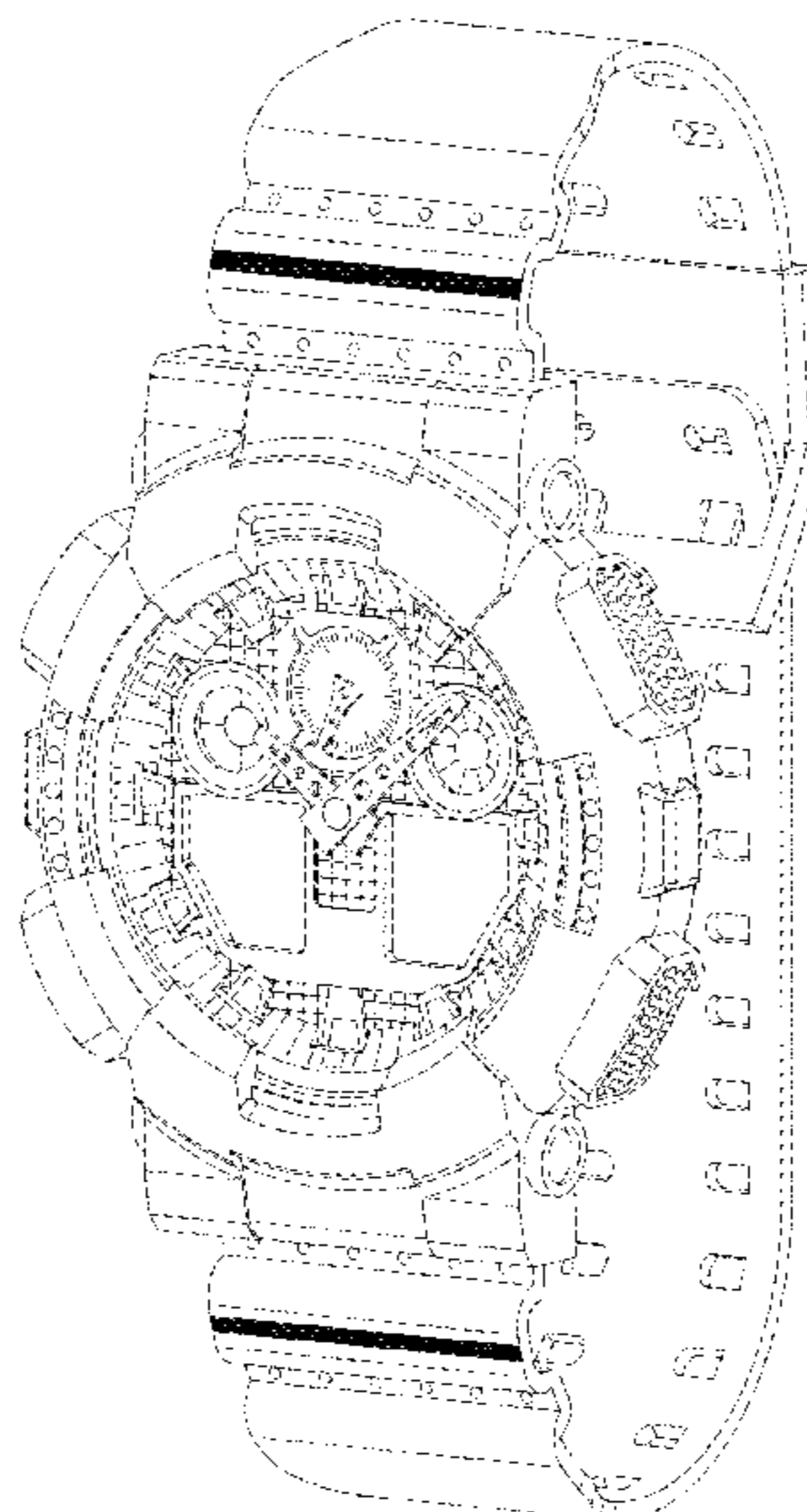
(57) **CLAIM**

The ornamental design for a striped watch band, as shown and described.

DESCRIPTION

FIG. 1 is a front and right side perspective view of a striped watch band in accordance with the present invention; FIG. 2 is a front elevational view thereof; FIG. 3 is a top plan view thereof; and, FIG. 4 is a bottom plan view thereof. The broken line showing of a watch case represents environment. The broken lines shown on the watch band represent portions of the striped watch band which form no part of the claimed design.

1 Claim, 3 Drawing Sheets



(56)

References Cited

U.S. PATENT DOCUMENTS

D180,700 S * 7/1957 Rose D7/633
 D192,971 S 6/1962 Meyerson
 3,203,200 A 8/1965 Inotsume
 3,265,247 A 8/1966 McKinney
 3,513,580 A 5/1970 Ages
 3,673,795 A * 7/1972 Nielson A44C 5/0015
 59/80
 3,965,671 A 6/1976 Koder
 D244,671 S 6/1977 Cozza
 D246,765 S 12/1977 Sulek
 D252,450 S 6/1979 Sulek et al.
 D259,186 S 5/1981 Perrin
 D262,949 S 2/1982 Perrin
 D267,478 S 1/1983 Kanoui
 D268,332 S 3/1983 Weil
 D277,649 S 2/1985 Glauser
 D284,170 S 6/1986 Kurimura
 4,601,538 A 7/1986 Valkenberg
 D295,965 S 5/1988 Murphy
 D296,992 S 8/1988 Crocco
 D297,417 S * 8/1988 Asano D10/32
 D298,610 S 11/1988 Young
 D319,591 S 9/1991 Cover
 D333,446 S 2/1993 Butler
 D344,468 S 2/1994 Kaneko
 D348,011 S 6/1994 Houlihan
 D349,468 S 8/1994 Souren
 D356,659 S 3/1995 Glass
 D365,994 S 1/1996 Brennan
 D380,975 S 7/1997 Luchun
 D399,761 S 10/1998 Rabassa
 D401,163 S 11/1998 Buchser
 D435,223 S 12/2000 Bodino
 6,260,383 B1 * 7/2001 Warren A44C 9/00
 63/15
 D468,226 S 1/2003 Upton
 6,880,364 B1 4/2005 Vidolin et al.
 D505,231 S * 5/2005 Jones D11/5
 7,107,790 B2 9/2006 Frank
 D535,205 S 1/2007 Frederick et al.
 D584,170 S 1/2009 Morrison

D589,372 S 3/2009 Miloradovic
 D623,965 S 9/2010 Sullivan et al.
 D637,094 S 5/2011 Cobbett et al.
 D703,555 S * 4/2014 Monachon D10/32
 D706,142 S * 6/2014 Monachon D10/32
 D708,964 S 7/2014 Cerrato
 D715,758 S 10/2014 Yun et al.
 D725,511 S 3/2015 Read et al.
 D739,850 S 9/2015 Gao
 9,581,972 B1 2/2017 Arrow
 D813,058 S * 3/2018 Kanikananta D10/32
 D828,208 S * 9/2018 Blanc D11/6
 D838,619 S * 1/2019 Akana D11/3
 D845,162 S * 4/2019 Shannon D11/3
 D855,488 S * 8/2019 Jablonski D11/3
 D873,680 S * 1/2020 Akana D10/32
 D879,642 S * 3/2020 Wearmouth D11/3
 D882,446 S * 4/2020 Atkinson D11/6
 D883,839 S * 5/2020 Deng D11/3
 D883,840 S * 5/2020 Schowalter D11/3
 D885,959 S * 6/2020 Akana D11/3
 D896,678 S * 9/2020 Tysander D11/4
 D929,884 S * 9/2021 Yi D11/3
 D932,321 S * 10/2021 Jung D10/32
 2016/0157571 A1 6/2016 Custer
 2017/0086536 A1 * 3/2017 de Iuliis G04B 37/1493
 2017/0188668 A1 7/2017 Watterson et al.
 2017/0243385 A1 * 8/2017 Mitsugi G09F 9/372
 2017/0261934 A1 * 9/2017 Matsuzawa G04C 17/0091
 2017/0303646 A1 * 10/2017 Bricken G06F 1/1652
 2018/0000205 A1 * 1/2018 Chinowsky F21V 7/0091
 2018/0103729 A1 * 4/2018 Kim A44C 5/0084
 2020/0081403 A1 * 3/2020 Clay G04B 45/0092

OTHER PUBLICATIONS

[Online] "The Official Project Peacekeeper G-Shock". <https://www.projectpeacekeeper.org/product-page/g-shock.shock>. Retrieved Dec. 10, 2017, previously in U.S. Appl. No. 29/537,641.
 [Online] <https://images-na.ssl-images-amazon.com>, Retrieved Dec. 10, 2017, previously in U.S. Appl. No. 29/537,641.

* cited by examiner

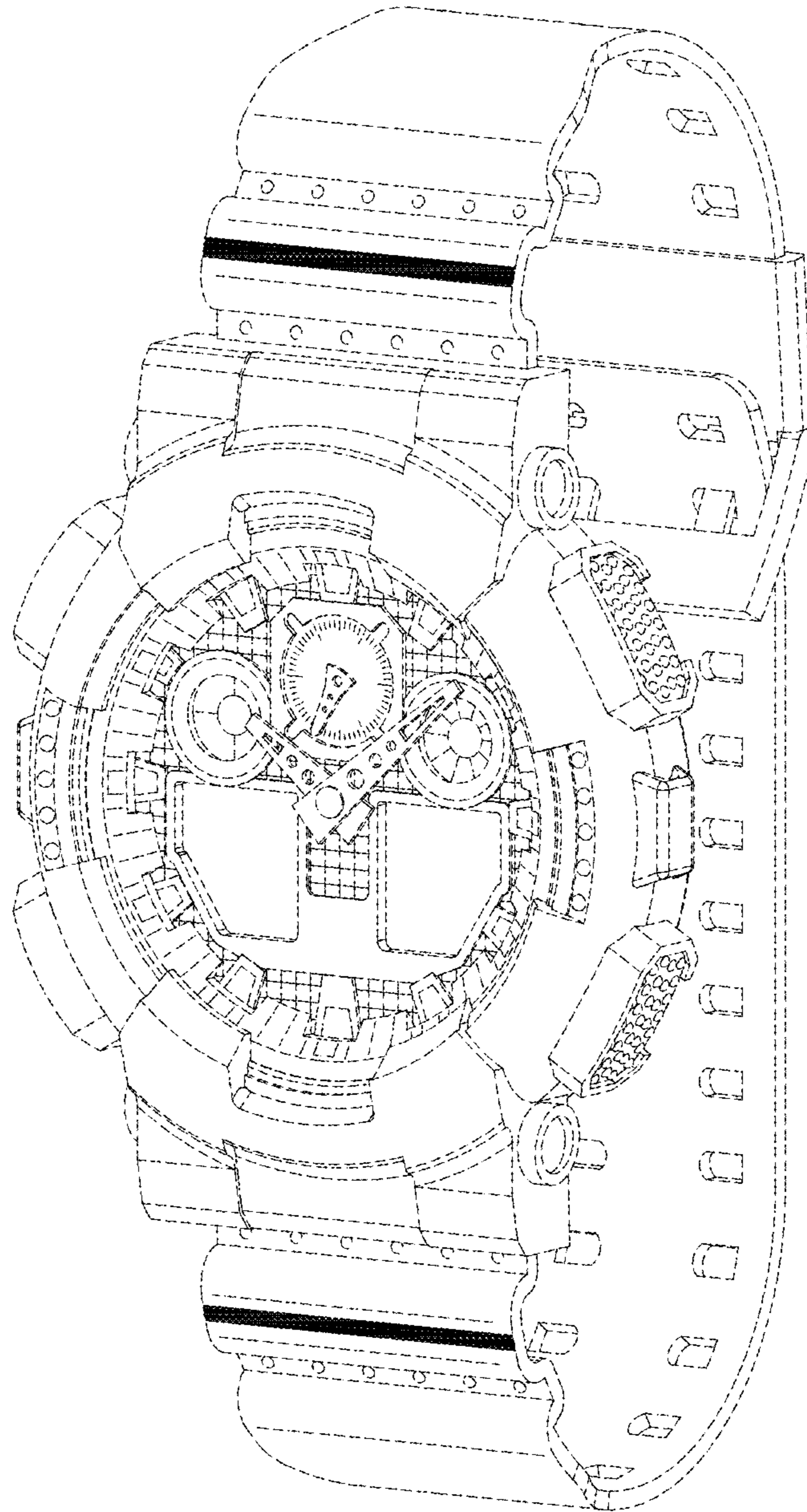


FIG. 1

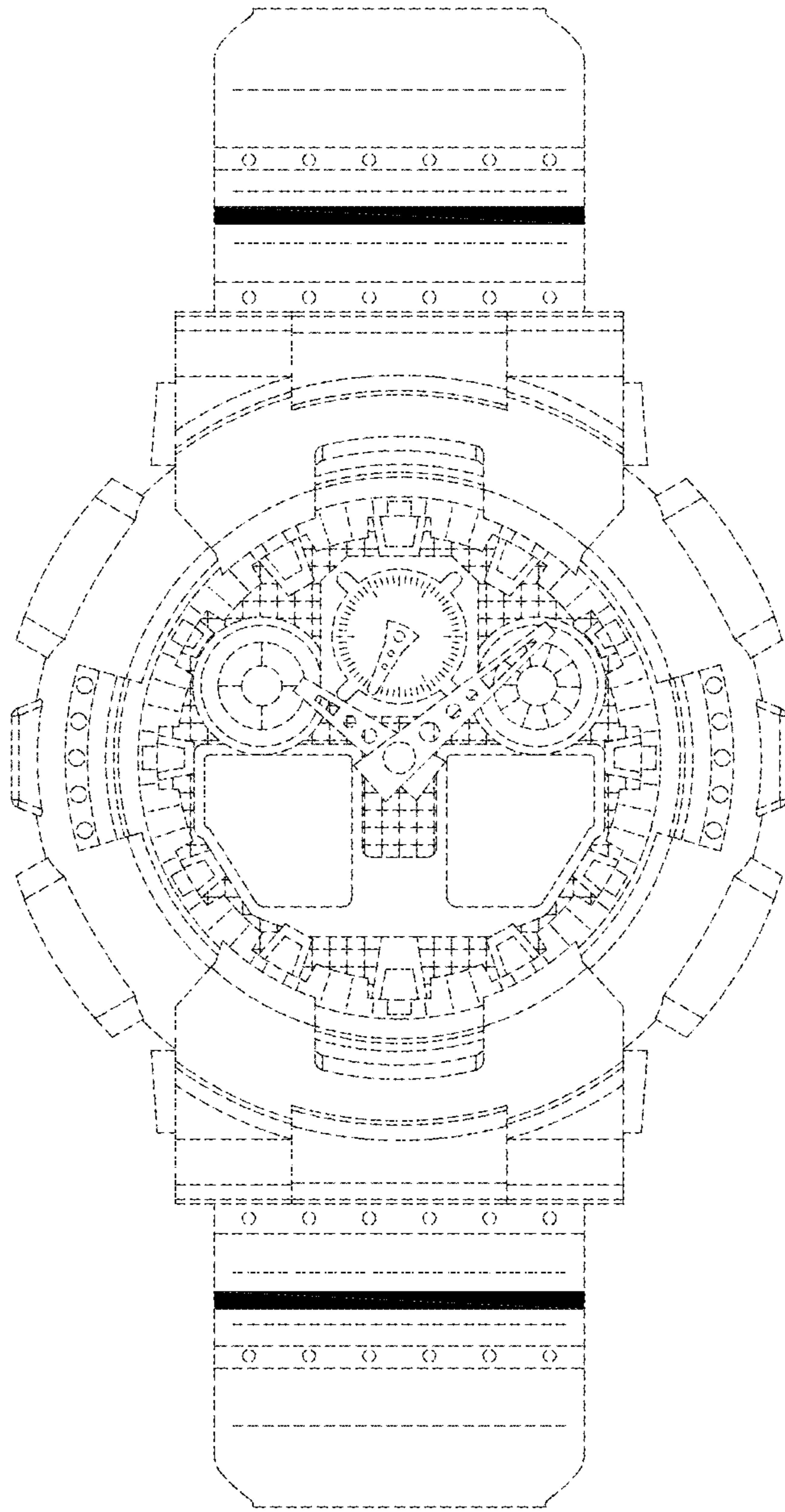


FIG. 2

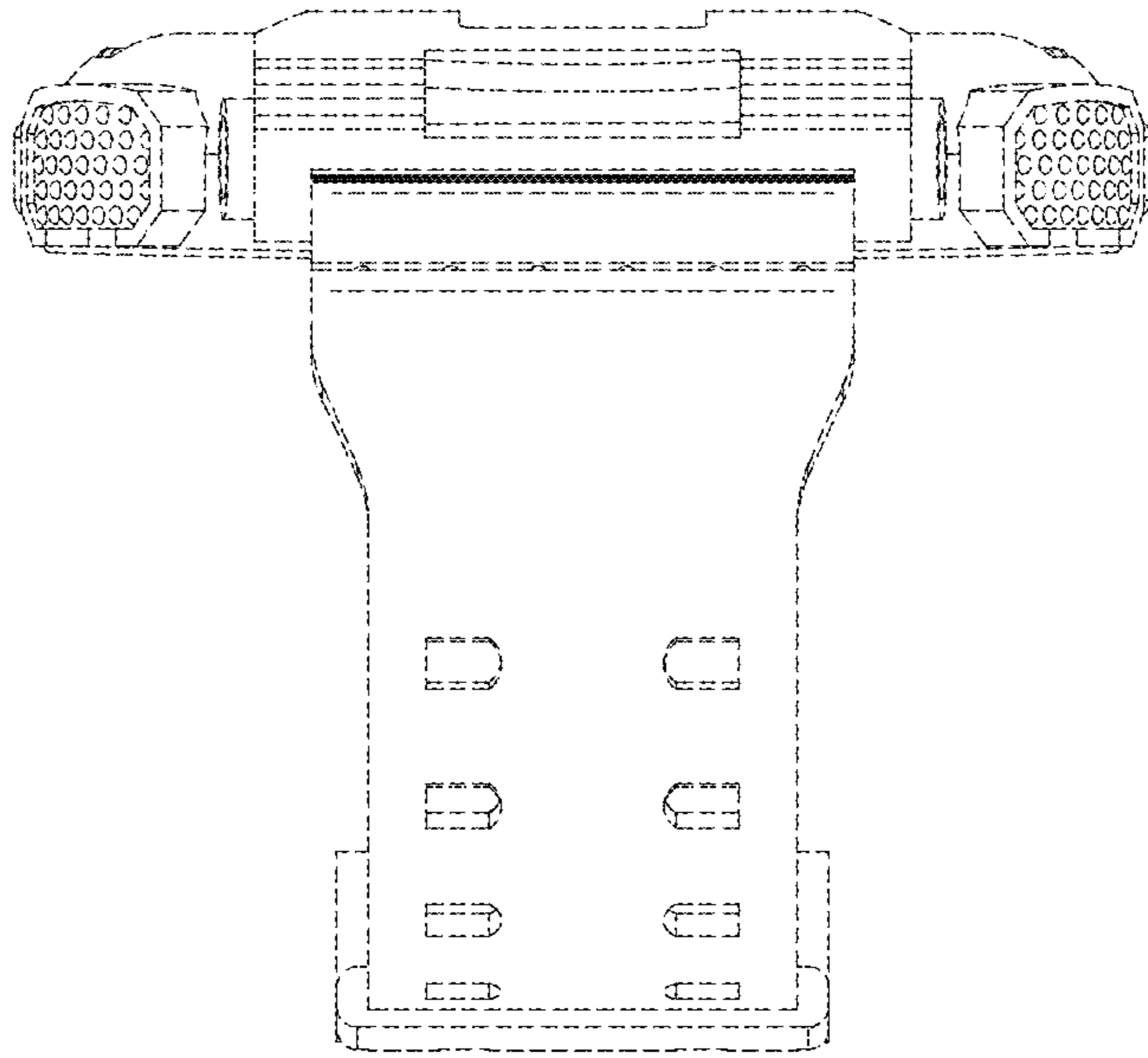


FIG. 3

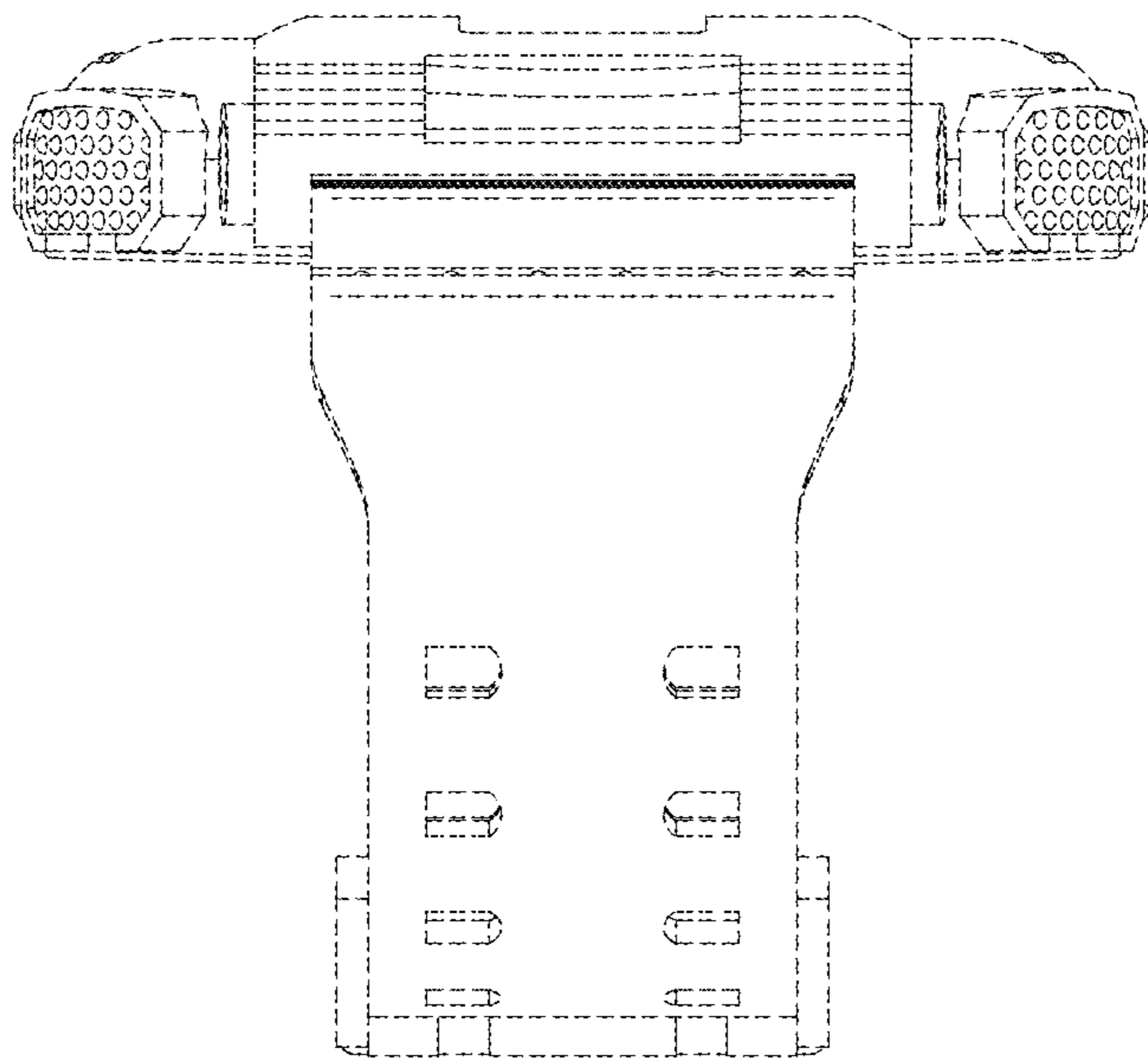


FIG. 4