



US00D951793S

(12) **United States Design Patent**
Joyce

(10) **Patent No.:** **US D951,793 S**

(45) **Date of Patent:** **** May 17, 2022**

(54) **FLARE**

(71) Applicant: **SBI Smart Brands International (America) Ltd.**, Concord (CA)

(72) Inventor: **Michael Joyce**, Richmond Hill (CA)

(73) Assignee: **SBI Smart Brands International (America) Ltd.**, Concord (CA)

(**) Term: **15 Years**

(21) Appl. No.: **29/731,499**

(22) Filed: **Apr. 15, 2020**

(30) **Foreign Application Priority Data**

Oct. 16, 2019 (CA) CA 190623

(51) **LOC (13) Cl.** **10-05**

(52) **U.S. Cl.**
USPC **D10/114.9**

(58) **Field of Classification Search**
USPC D10/114.2, 8, 9; D26/49
CPC F21L 5/02; F21L 4/027; F21L 4/04
See application file for complete search history.

(56) **References Cited**

U.S. PATENT DOCUMENTS

2,434,741	A *	1/1948	Pramschiefer	G09F 21/02 340/321
D336,689	S *	6/1993	Hung	D10/114.1
D481,482	S *	10/2003	Mah	D26/37
D586,489	S *	2/2009	Shiu	D26/49
D599,923	S *	9/2009	Shiu	D26/40
D601,736	S *	10/2009	Swan	D26/49
D604,878	S *	11/2009	Kung	D26/49
D612,966	S *	3/2010	Jiang	D26/42
D656,645	S *	3/2012	Houghton	D26/42
D658,324	S *	4/2012	Reimann	D26/40

D688,402	S *	8/2013	Roshak	D26/49
D716,984	S *	11/2014	Inskeep	D26/49
D717,480	S *	11/2014	Hsu	D26/49
D734,519	S *	7/2015	Shen	D26/49
D740,149	S *	10/2015	Talamo	D10/114.9
D748,837	S *	2/2016	Cacciabeve	D26/49
D774,229	S *	12/2016	Prieto	D26/49
D780,356	S *	2/2017	Nguyen	D26/49
D786,466	S *	5/2017	Prieto	D26/49
D796,366	S *	9/2017	Talamo	D10/114.9
D841,849	S *	2/2019	Ladnier	D26/38
D843,624	S *	3/2019	Son	D26/49
D899,648	S *	10/2020	Qiu	D26/49
D899,649	S *	10/2020	Qiu	D26/49
D900,367	S *	10/2020	Petrucelli	D26/49
D914,938	S *	3/2021	Qiu	D26/49
D917,087	S *	4/2021	Qiu	D26/49
D927,031	S *	8/2021	Liu	D26/49
D930,208	S *	9/2021	Hong	D26/49
2015/0267902	A1 *	9/2015	Zhang	F21L 4/04 362/188

* cited by examiner

Primary Examiner — George D. Kirschbaum

Assistant Examiner — Lillian Windham

(74) *Attorney, Agent, or Firm* — McMillan LLP

(57) **CLAIM**

The ornamental design for a flare, as shown.

DESCRIPTION

FIG. 1 is a top perspective view of a flare showing my new design.

FIG. 2 is a front elevation view thereof.

FIG. 3 is a rear elevation view thereof.

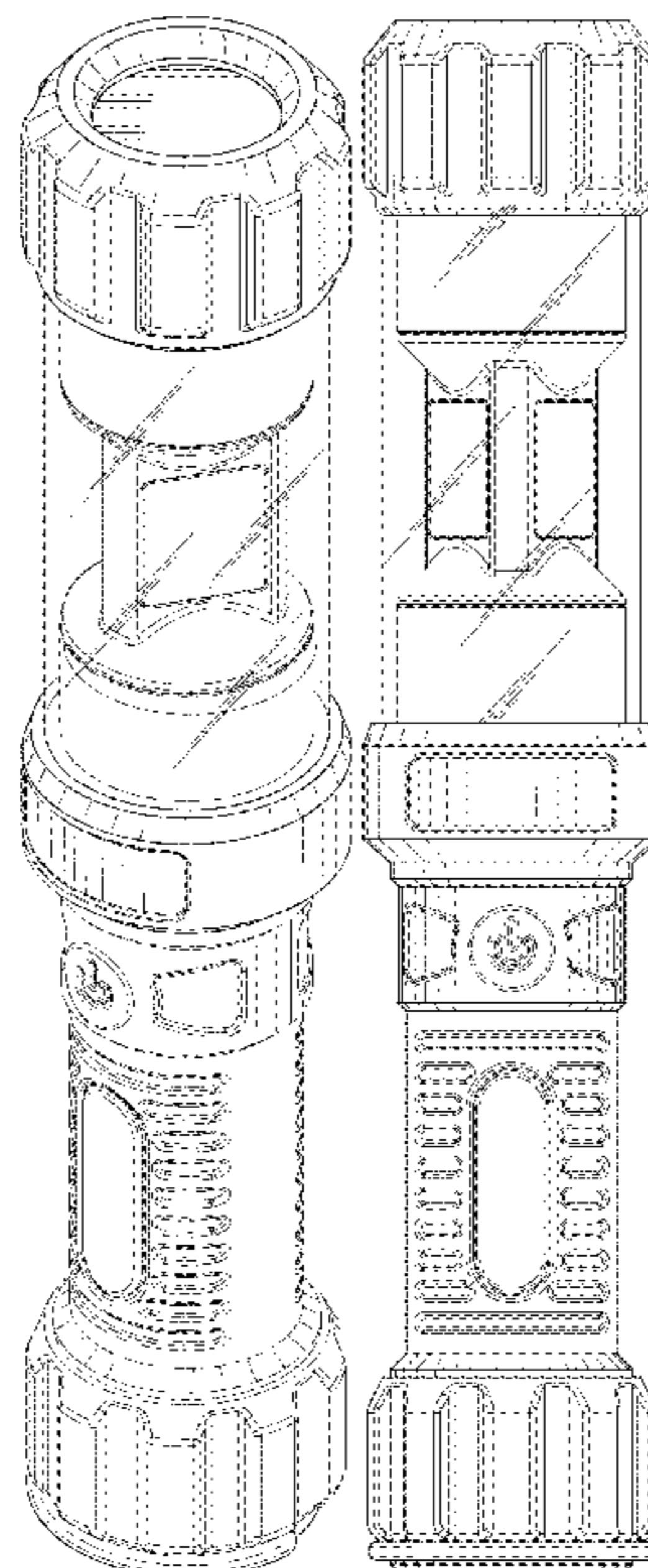
FIG. 4 is a right side view thereof.

FIG. 5 is a left side elevation view thereof.

FIG. 6 is a top plan view thereof; and,

FIG. 7 is a bottom plan view thereof.

1 Claim, 4 Drawing Sheets



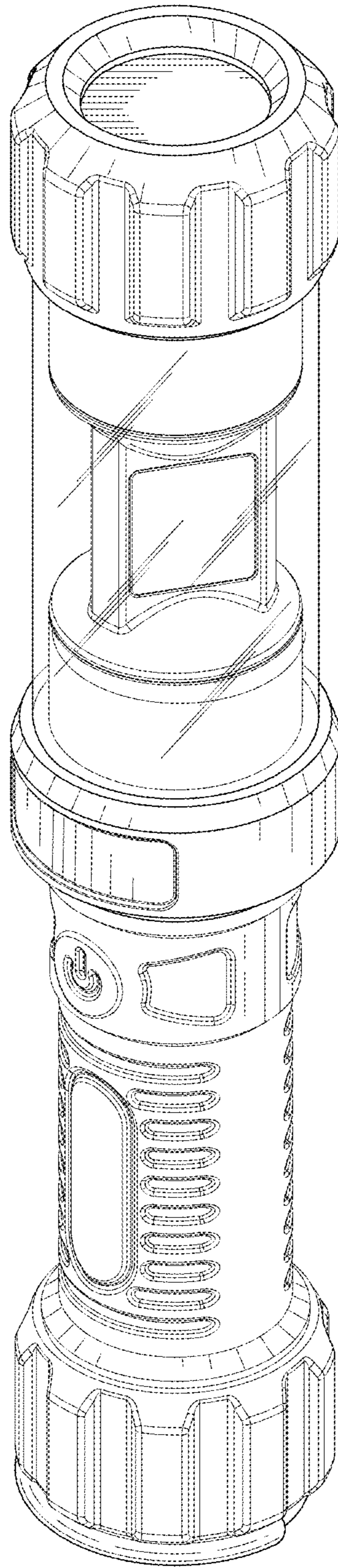


FIG. 1

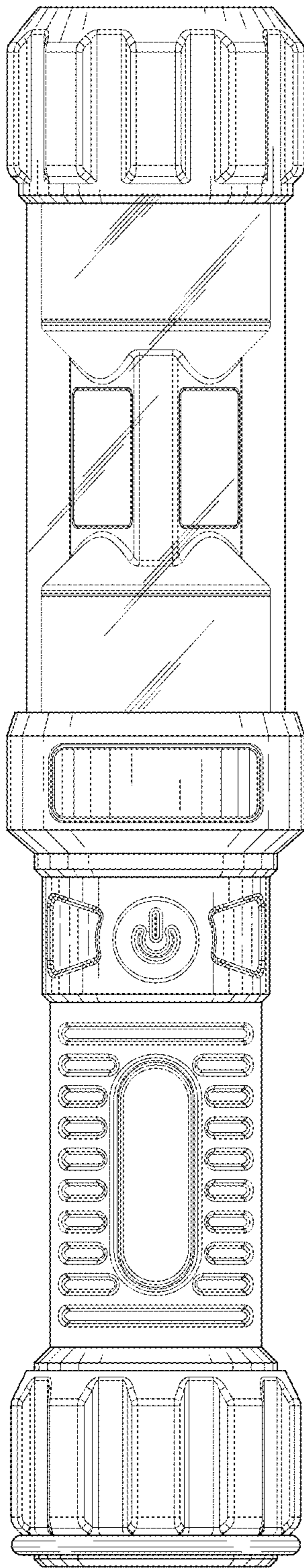


FIG. 2

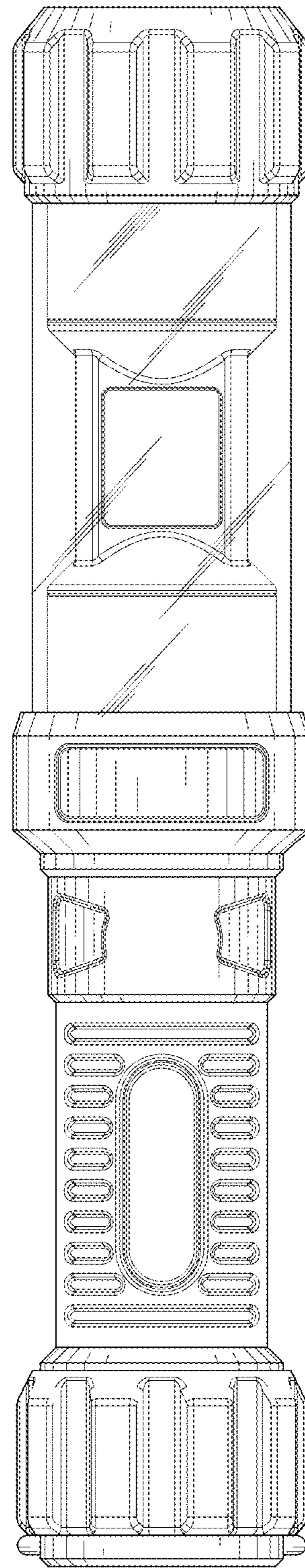


FIG. 3

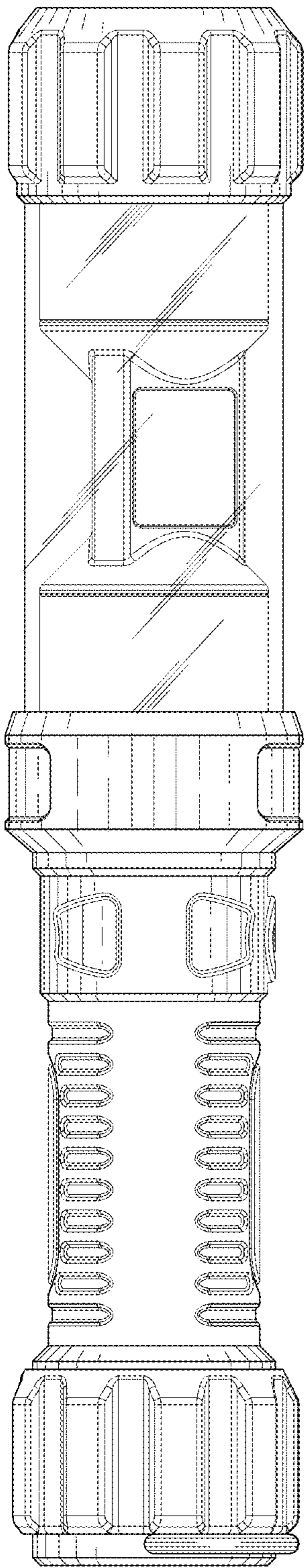


FIG.4

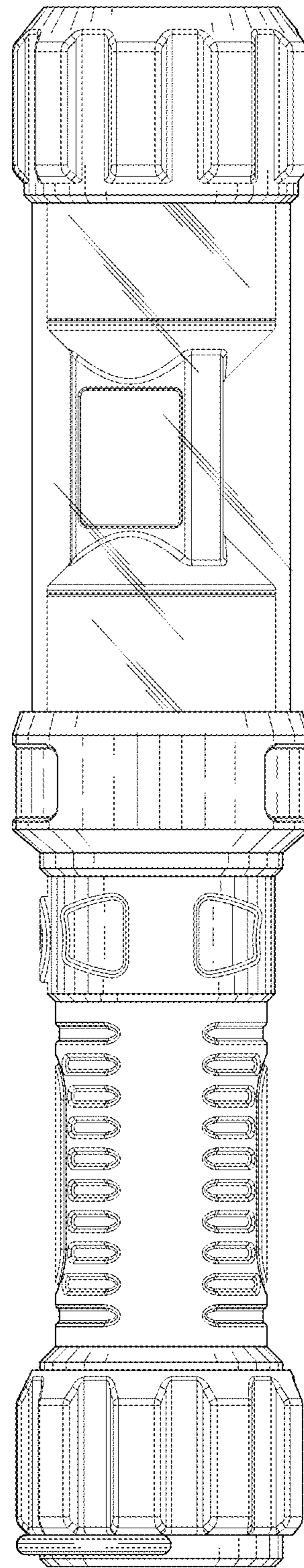


FIG.5

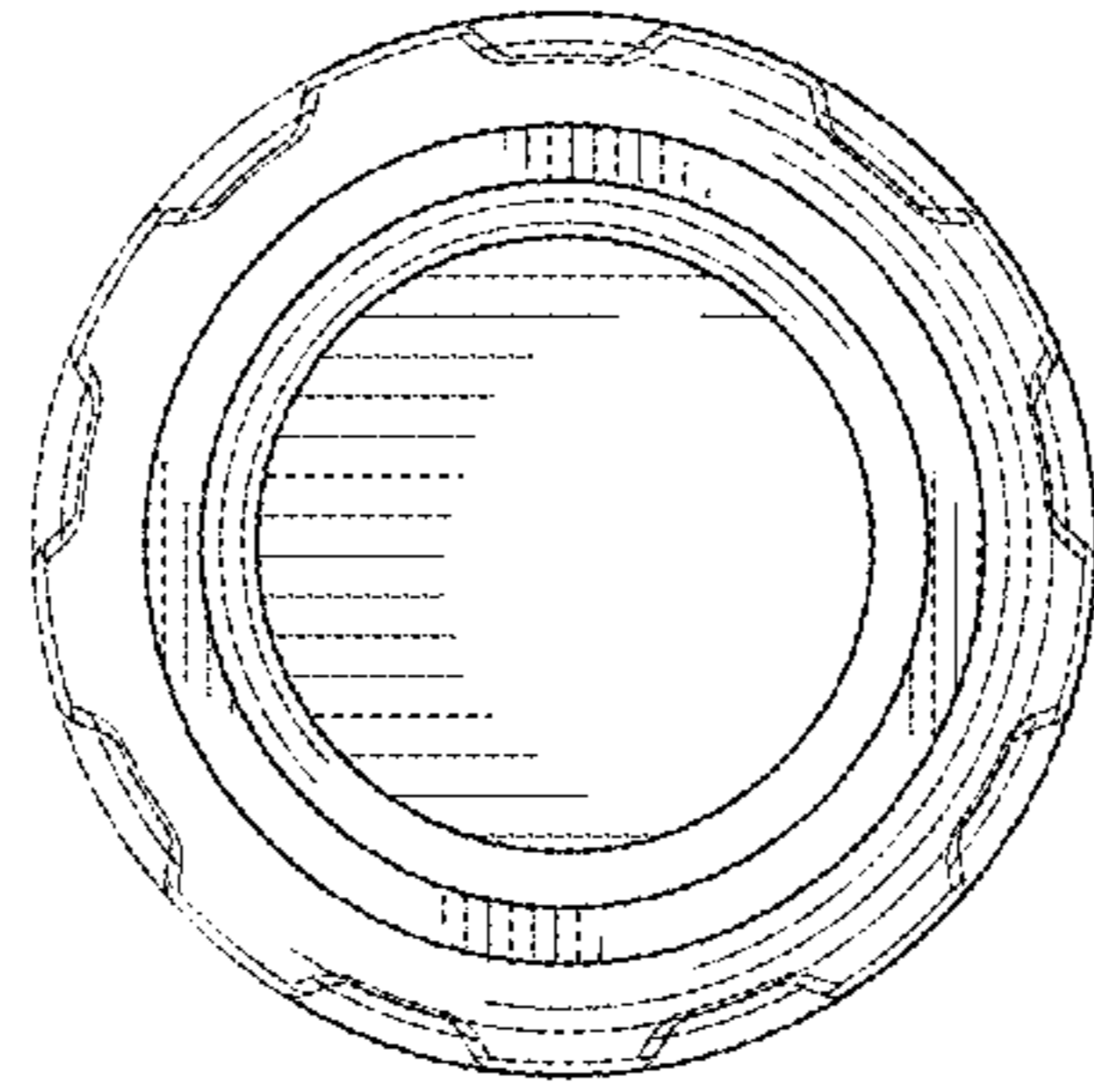


FIG. 6

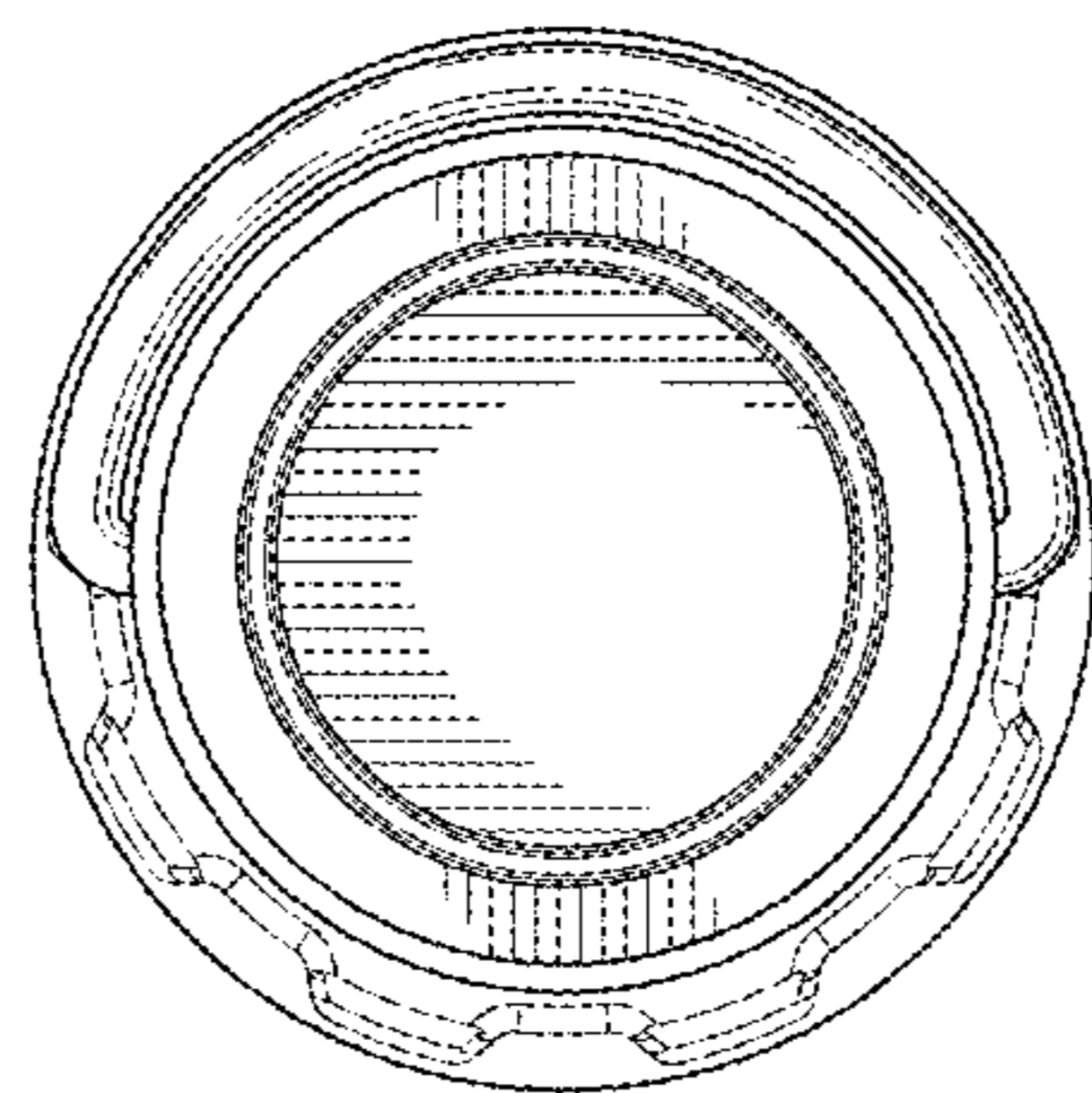


FIG. 7