



US00D951792S

(12) **United States Design Patent** (10) **Patent No.:** **US D951,792 S**  
**Lee et al.** (45) **Date of Patent:** **\*\* May 17, 2022**

(54) **FOLDABLE TRIANGULAR WARNING SIGN**

FOREIGN PATENT DOCUMENTS

(71) Applicant: **ASUSTeK COMPUTER INC.**, Taipei (TW)

CN 201713769 1/2011  
CN 107310470 11/2017  
TW M324263 12/2007

(72) Inventors: **Yen-Chun Lee**, Taipei (TW);  
**Juo-Kuan Lin**, Taipei (TW)

*Primary Examiner* — Joseph Kukella  
(74) *Attorney, Agent, or Firm* — JCIPRNET

(73) Assignee: **ASUSTeK COMPUTER INC.**, Taipei (TW)

(\*\*) Term: **15 Years**

(21) Appl. No.: **29/687,763**

(22) Filed: **Apr. 16, 2019**

(51) **LOC (13) Cl.** ..... **10-05**

(52) **U.S. Cl.**  
USPC ..... **D10/113.4**

(58) **Field of Classification Search**  
USPC ..... D10/109.1, 109.2, 111, 113.2, 113.4,  
D10/114.1–115  
CPC . E01F 9/553; E01F 9/559; E01F 9/615; E01F  
9/623; E01F 9/646; E01F 9/654; E01F  
9/662  
See application file for complete search history.

(56) **References Cited**

U.S. PATENT DOCUMENTS

D230,206 S \* 1/1974 Hedgewick ..... B60Q 7/00  
D10/113.4  
4,440,104 A \* 4/1984 Bleiweiss ..... B60Q 7/005  
116/63 T  
D311,148 S \* 10/1990 Yuen ..... G09F 19/22  
D10/109.1  
5,970,639 A \* 10/1999 Hui ..... E01F 9/615  
40/610  
D544,804 S \* 6/2007 Chen ..... B60Q 7/00  
D10/113.4  
D557,625 S \* 12/2007 Yu ..... D10/113.4  
10,850,663 B1 \* 12/2020 Wang ..... G09F 13/16

(Continued)

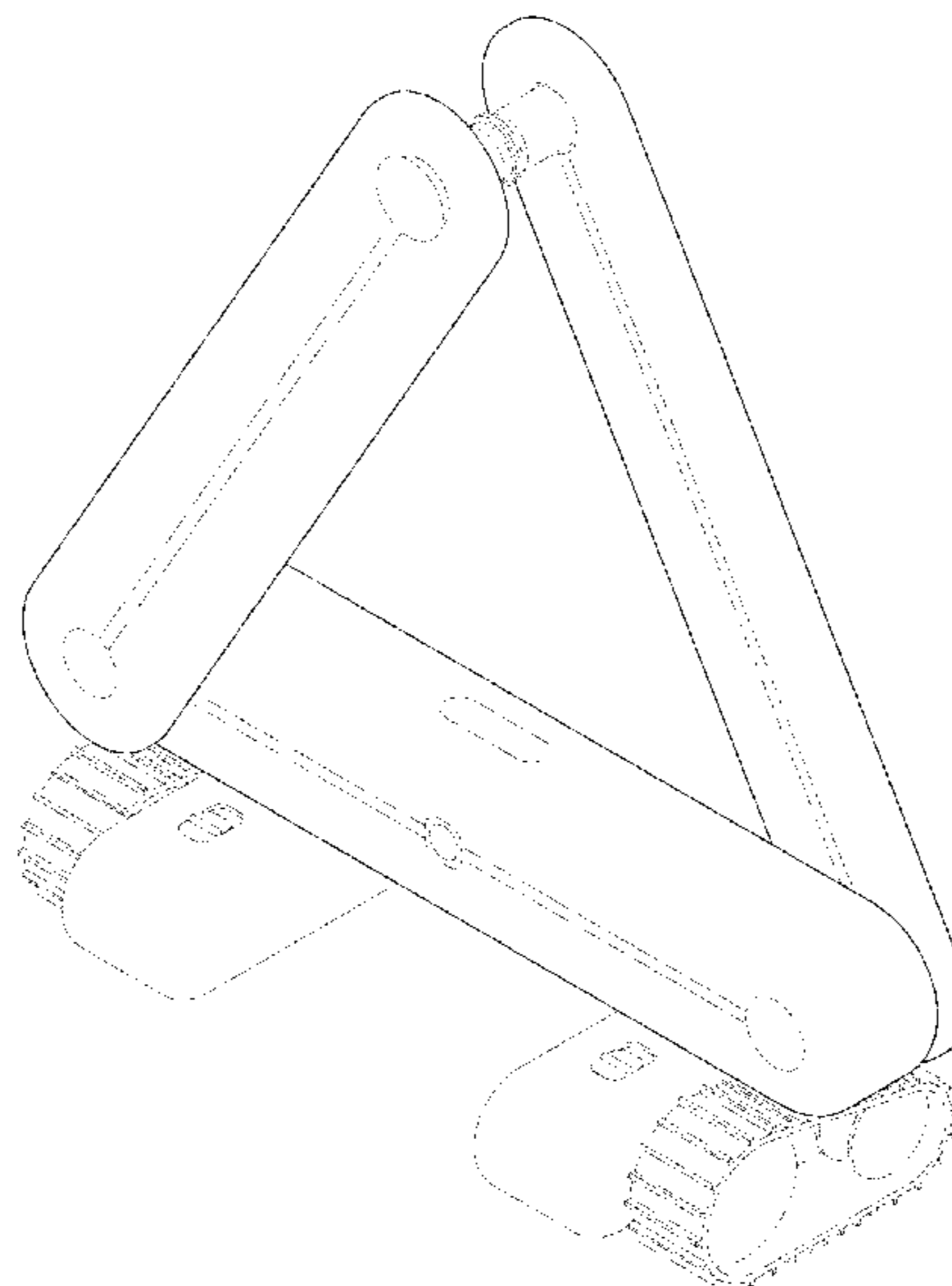
(57) **CLAIM**

The ornamental design for a foldable triangular warning sign, as shown and described.

**DESCRIPTION**

FIG. 1 is a perspective view of a foldable triangular warning sign showing a first embodiment of our new design; FIG. 2 is a front view of the first embodiment; FIG. 3 is a rear view of the first embodiment; FIG. 4 is a left side view of the first embodiment; FIG. 5 is a right side view of the first embodiment; FIG. 6 is a top view of the first embodiment; FIG. 7 is a bottom view of the first embodiment; FIG. 8 is a perspective view of the first embodiment in the folded state; FIG. 9 is a perspective view of a foldable triangular warning sign showing a second embodiment of our new design; FIG. 10 is a front view of the first embodiment; FIG. 11 is a rear view of the second embodiment; FIG. 12 is a left side view of the second embodiment; FIG. 13 is a right side view of the second embodiment; FIG. 14 is a top view of the second embodiment; FIG. 15 is a bottom view of the second embodiment; and, FIG. 16 is a perspective view of the second embodiment in the folded state.  
The dashed broken lines illustrate portions of the foldable triangular warning sign and form no part of the claimed design.

**1 Claim, 14 Drawing Sheets**



(56)

**References Cited**

U.S. PATENT DOCUMENTS

D918,078	S	*	5/2021	Domingo	.....	B60Q 7/005 D10/113.4
2007/0189028	A1	*	8/2007	Chen	.....	B60Q 7/00 362/545
2018/0154828	A1	*	6/2018	Wornham	.....	B60Q 7/00
2019/0225148	A1	*	7/2019	Wornham	.....	G09F 19/22
2019/0360164	A1	*	11/2019	Lee	.....	E01F 9/692
2021/0197718	A1	*	7/2021	Lin	.....	B60Q 7/00

\* cited by examiner

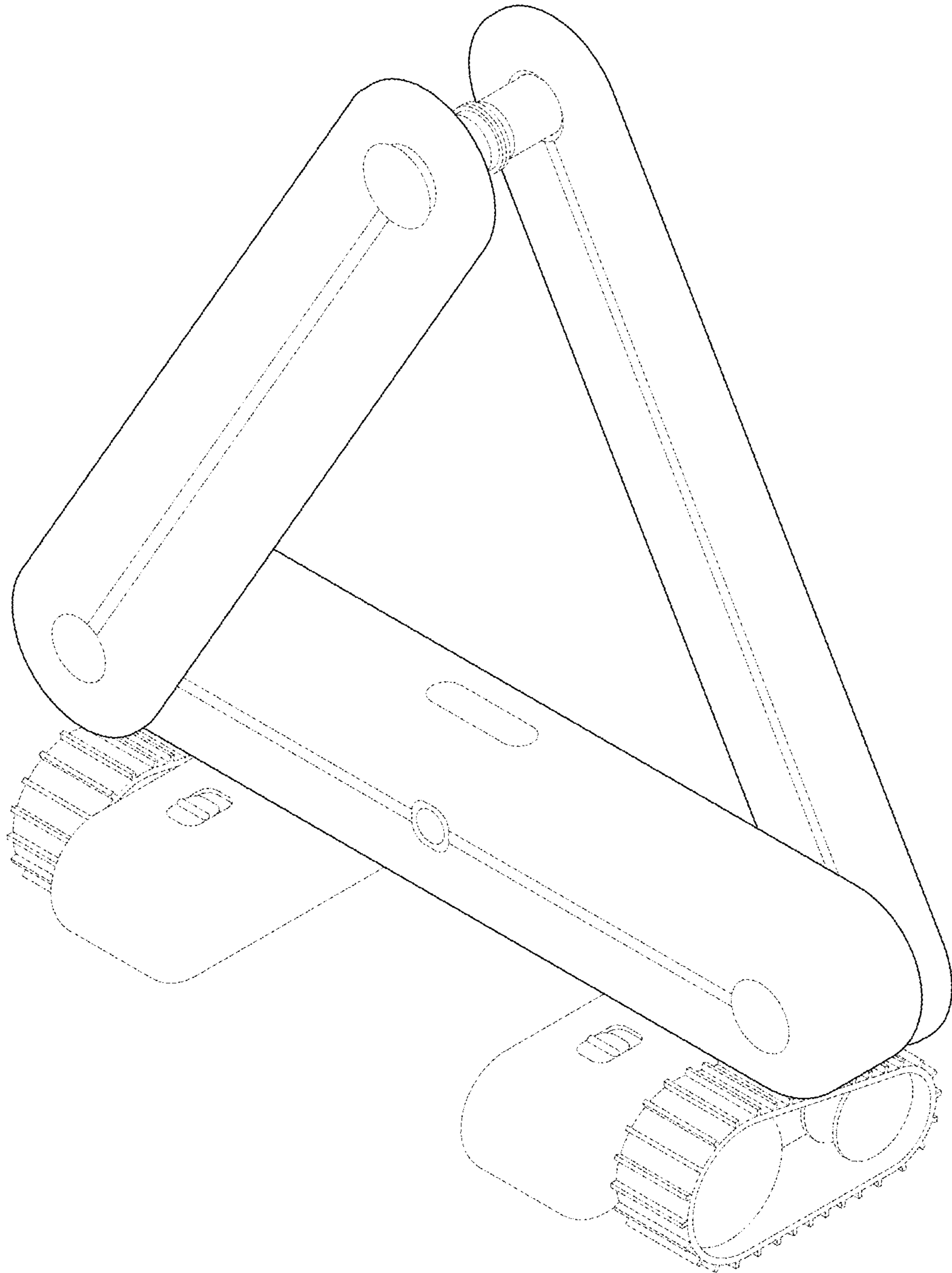


FIG. 1

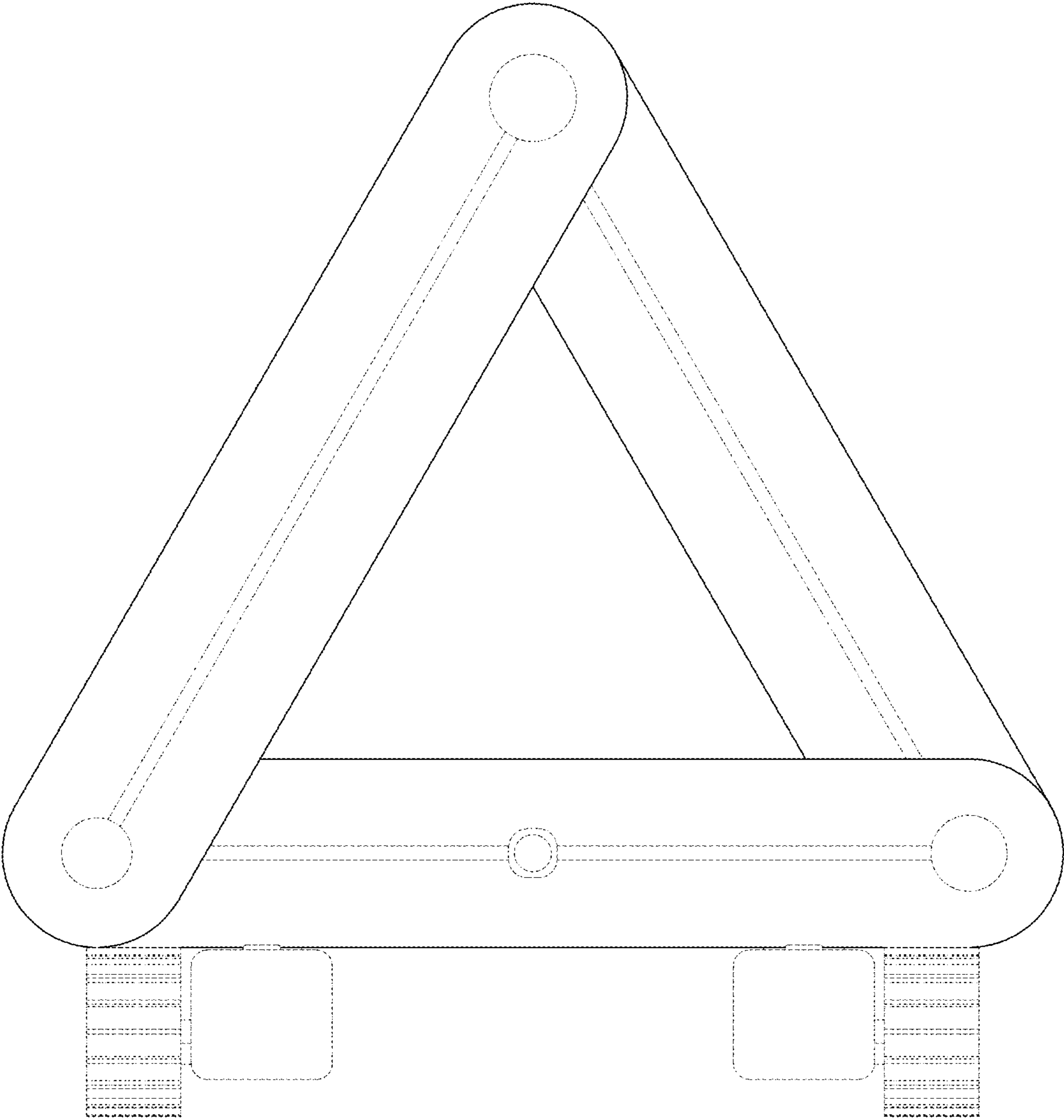


FIG. 2

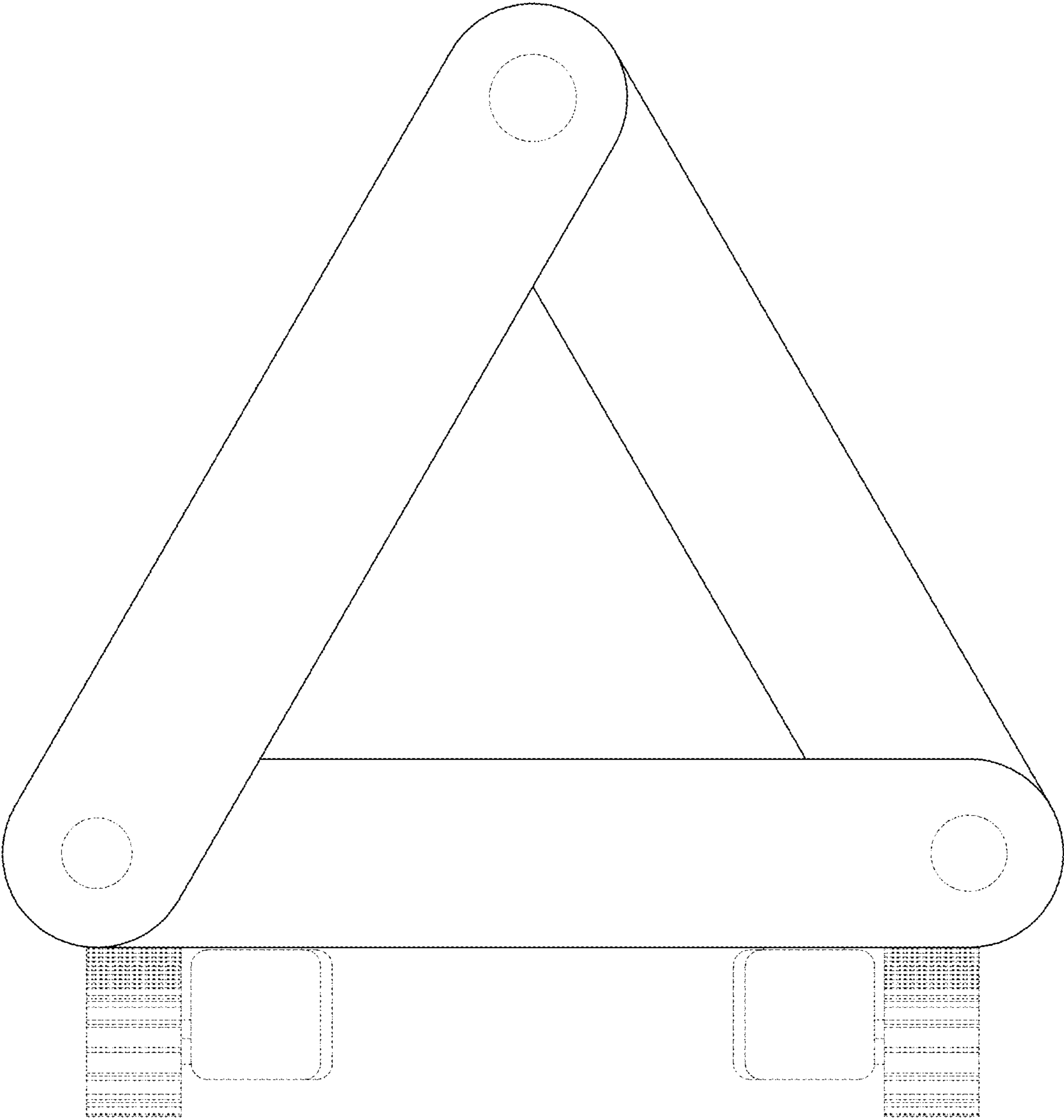


FIG. 3

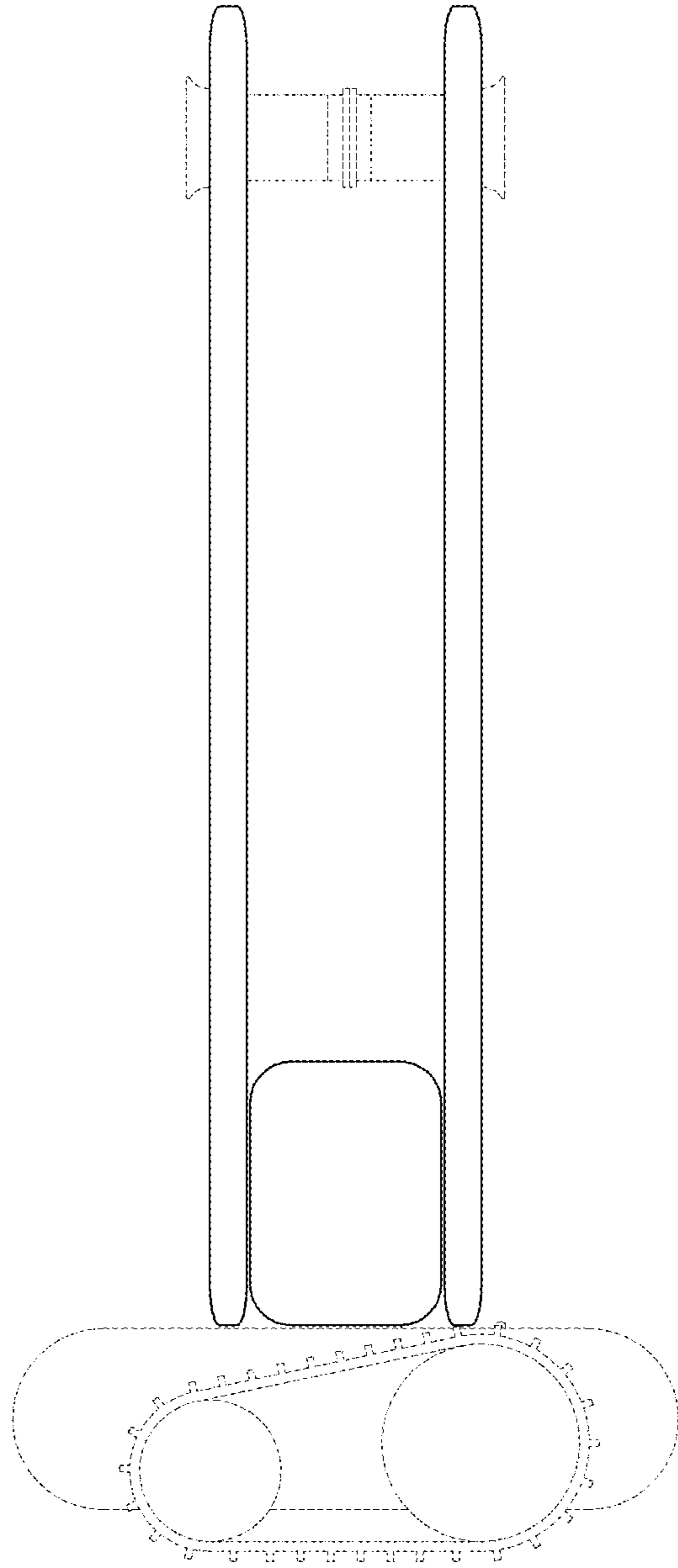


FIG. 4

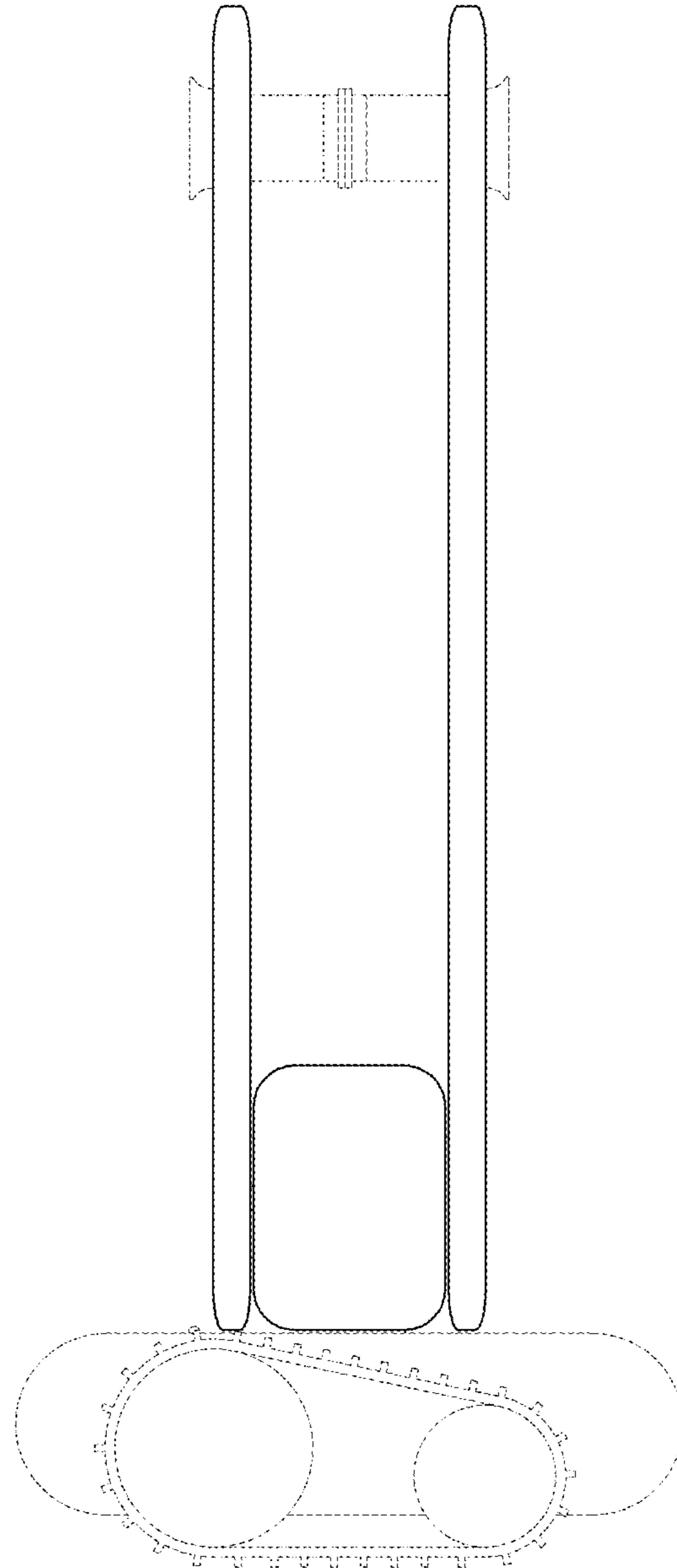


FIG. 5

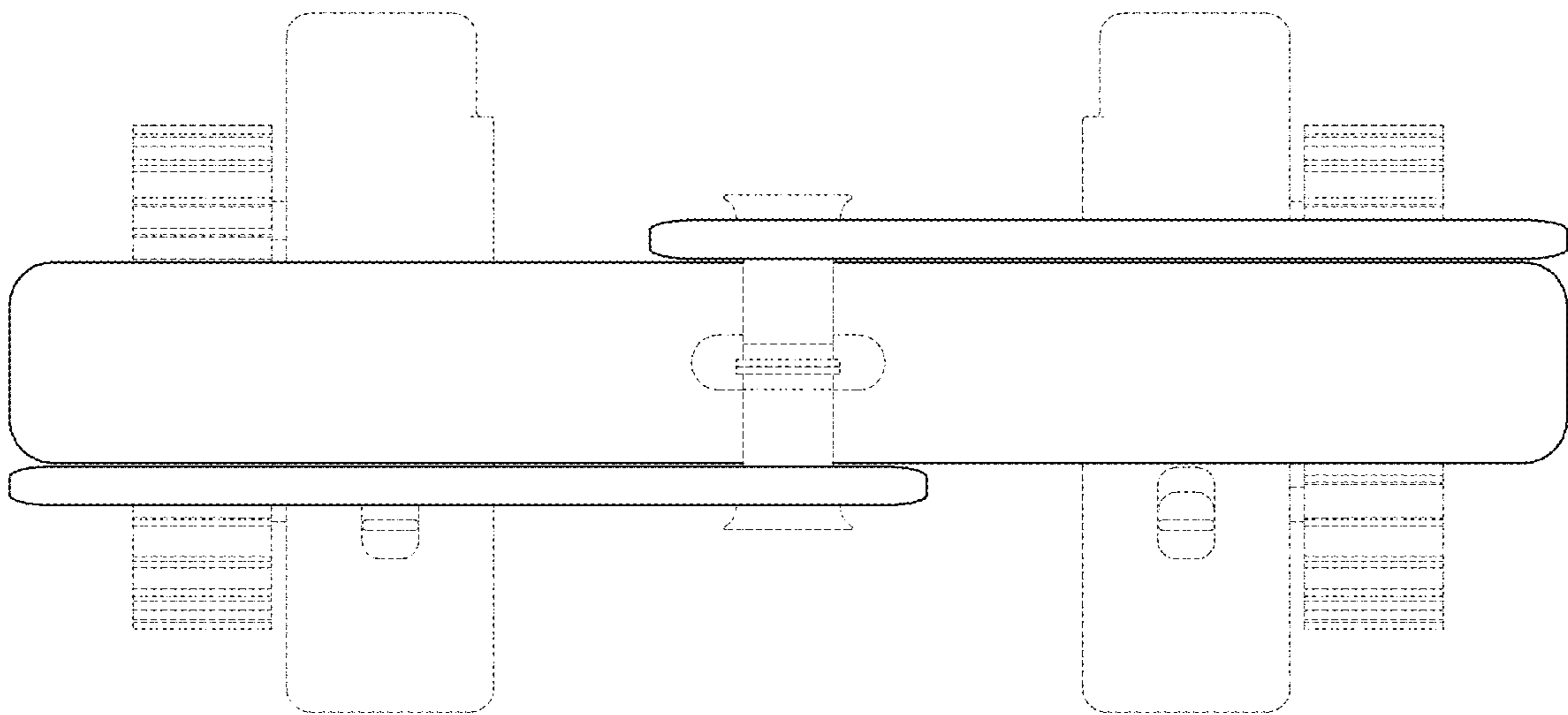


FIG. 6

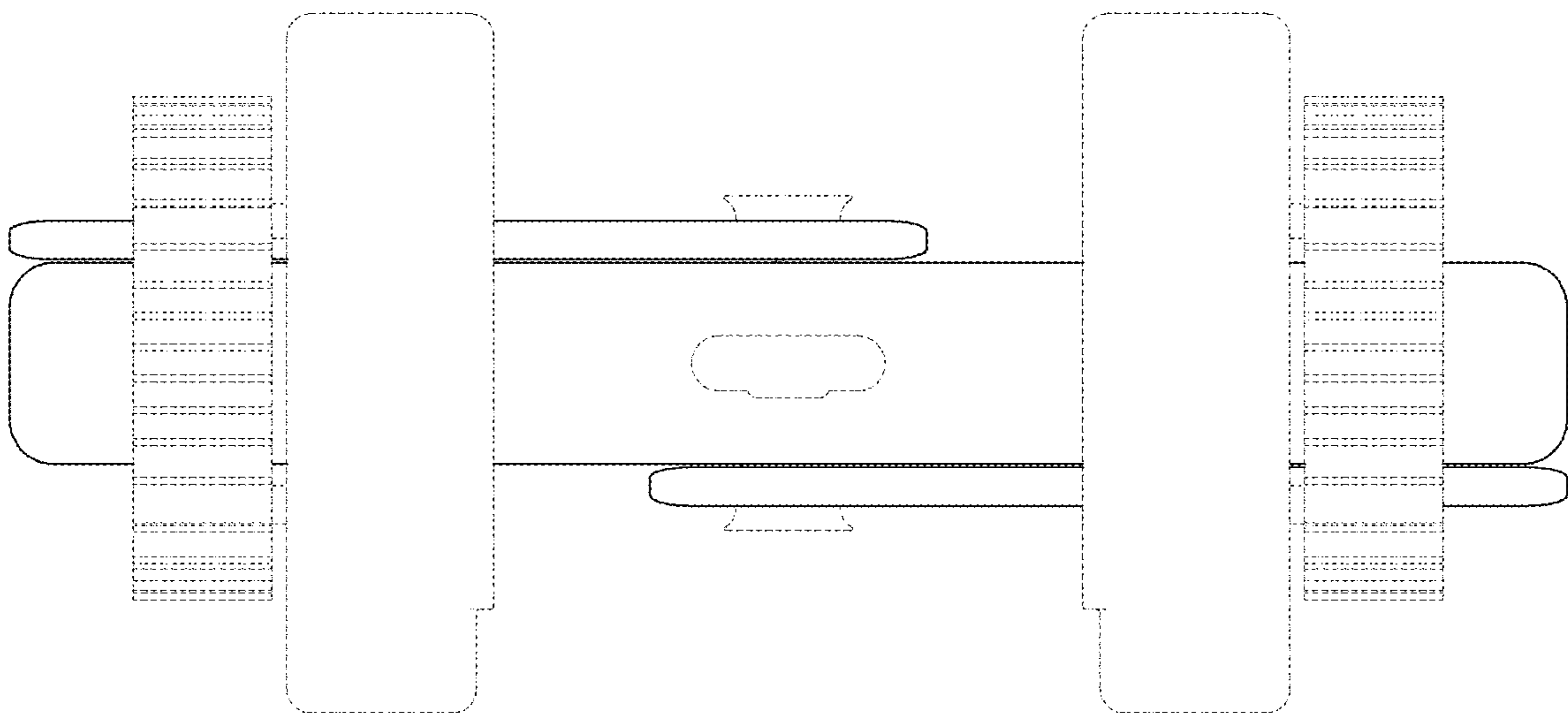


FIG. 7



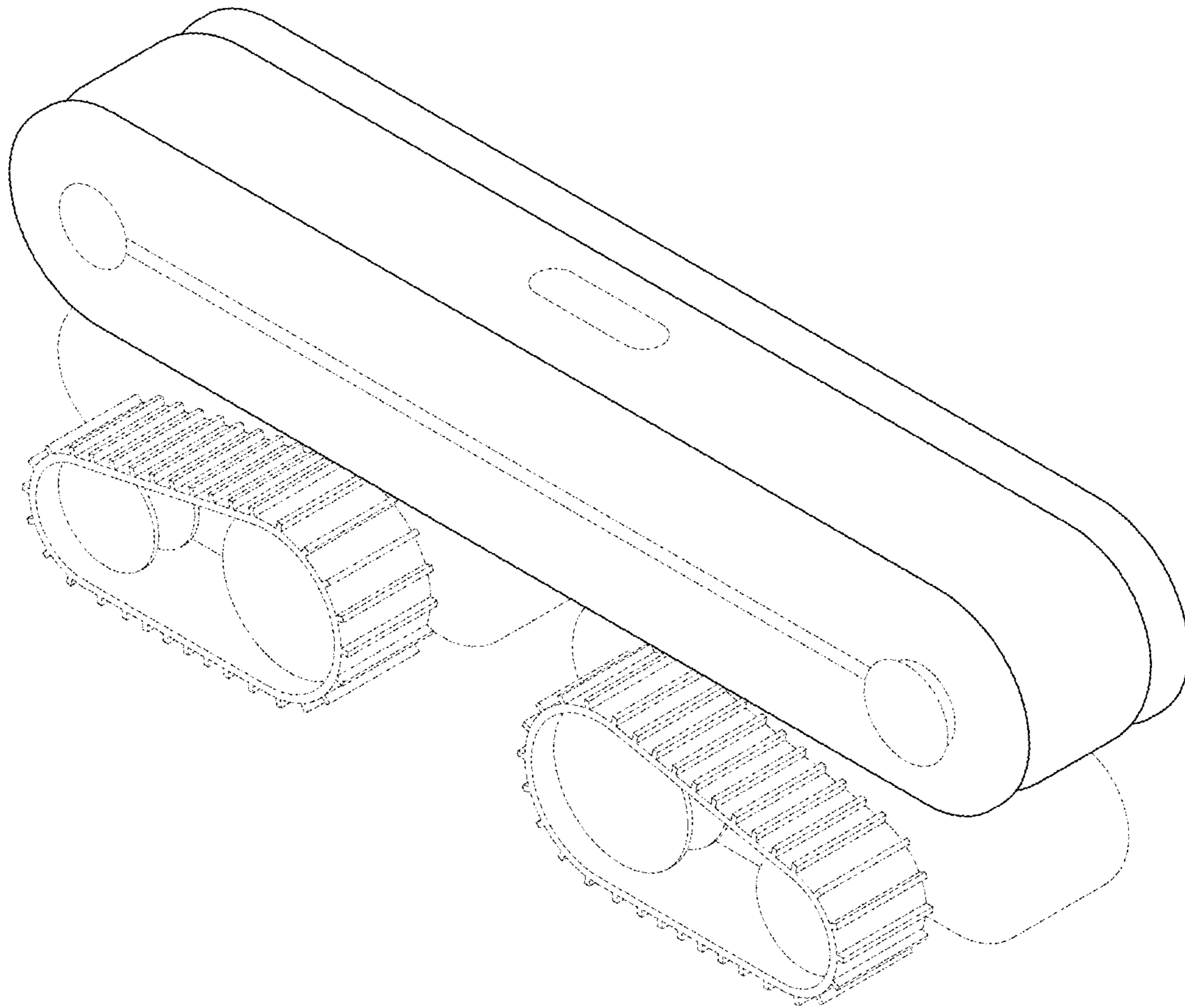


FIG. 8

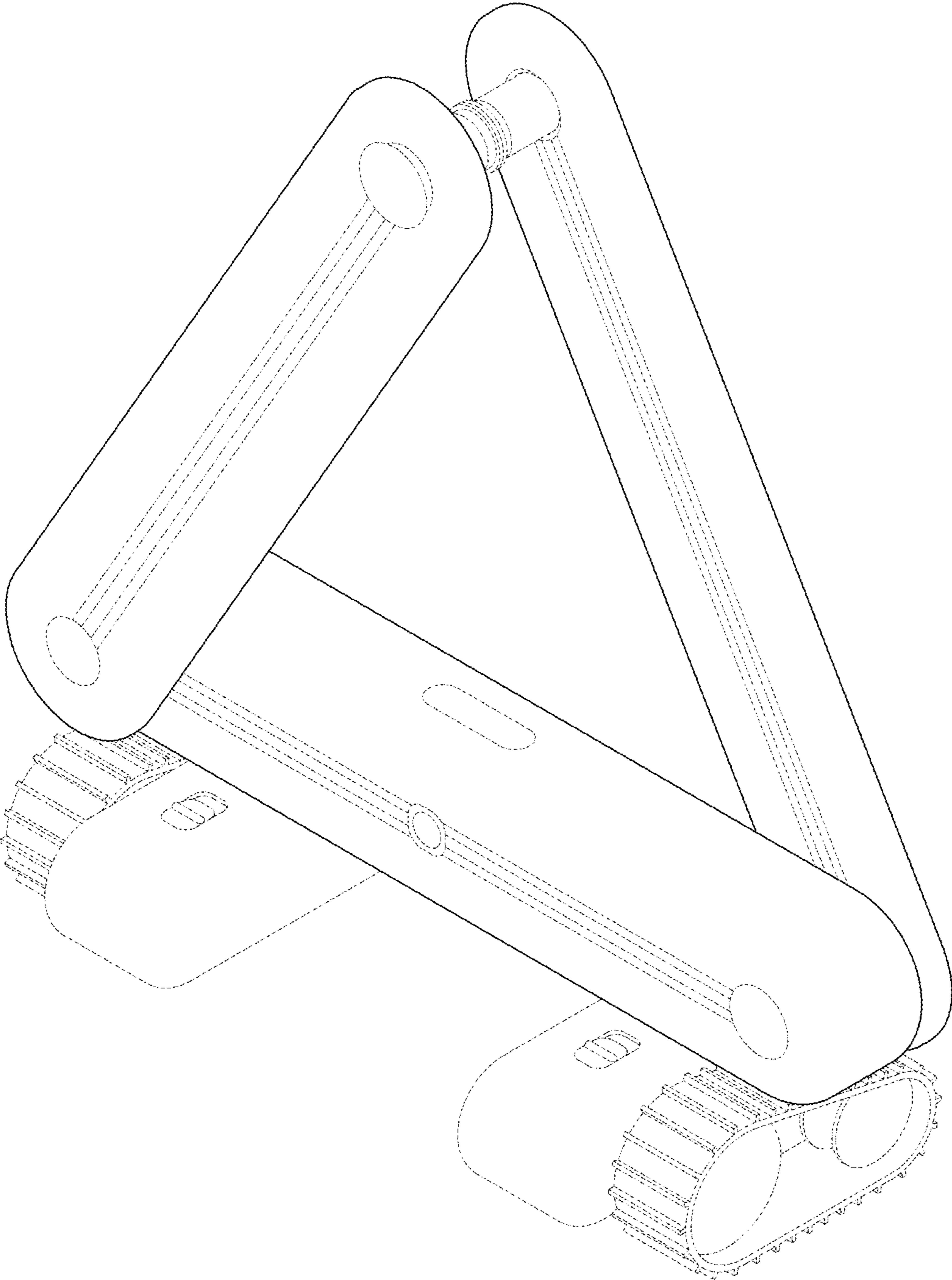


FIG. 9

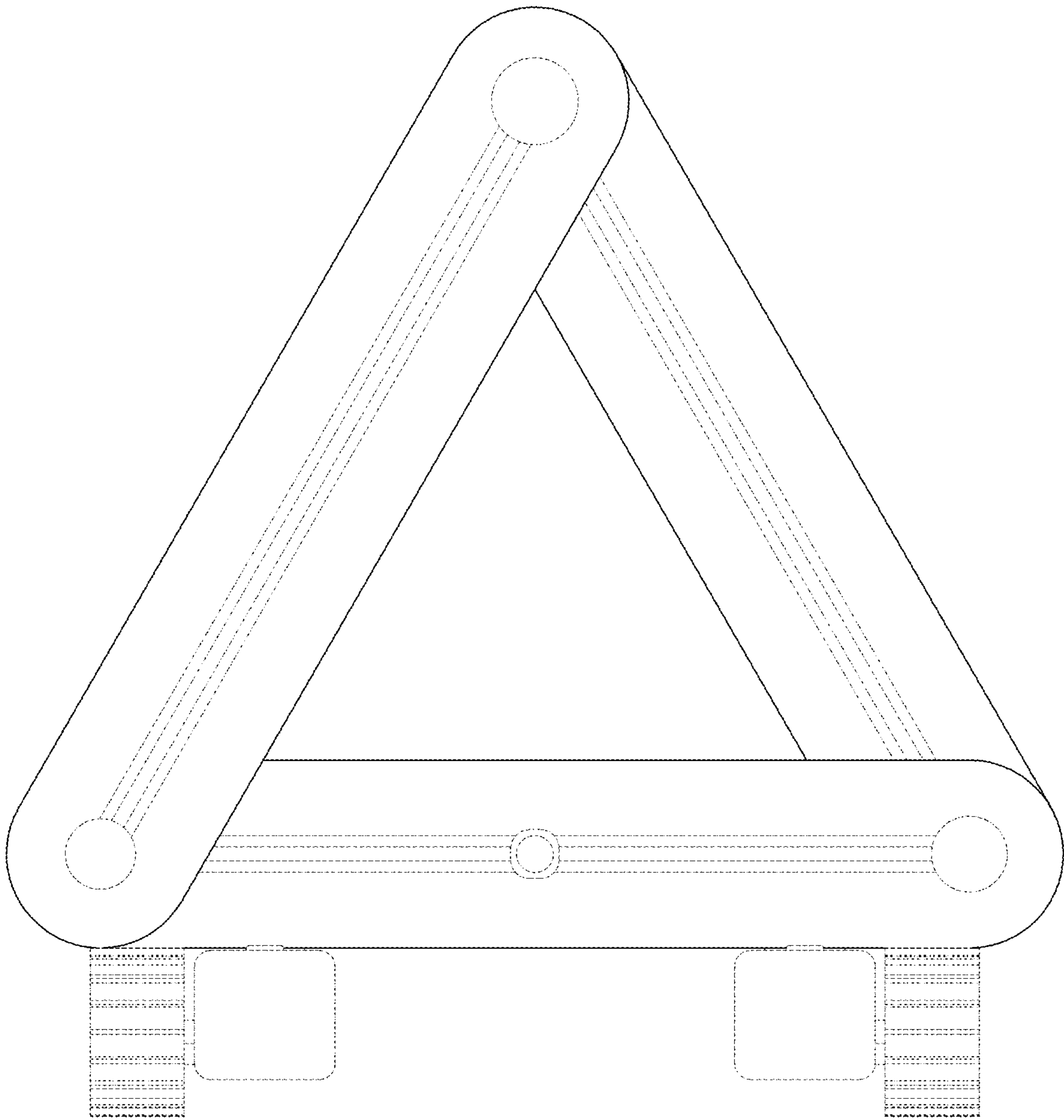


FIG. 10

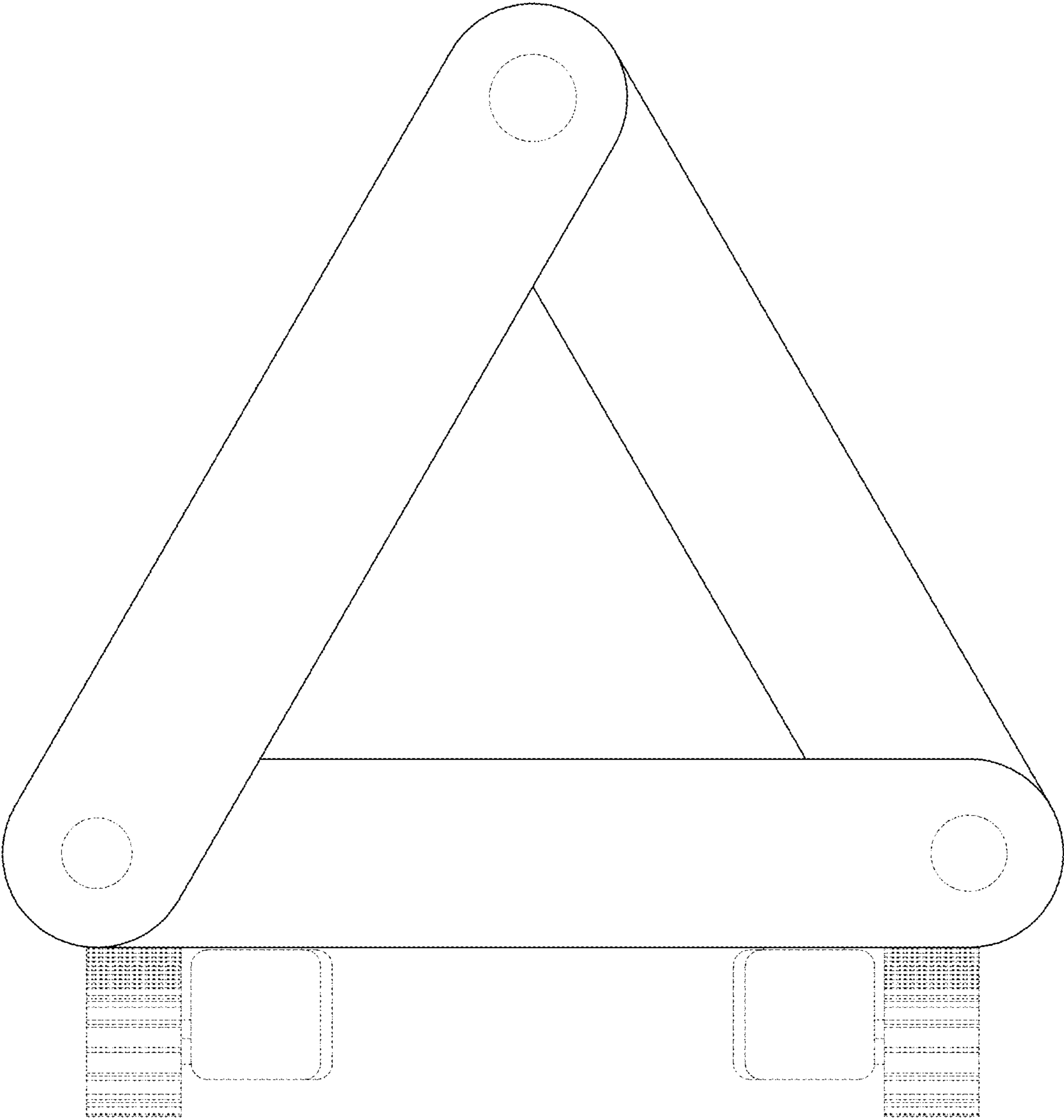


FIG. 11

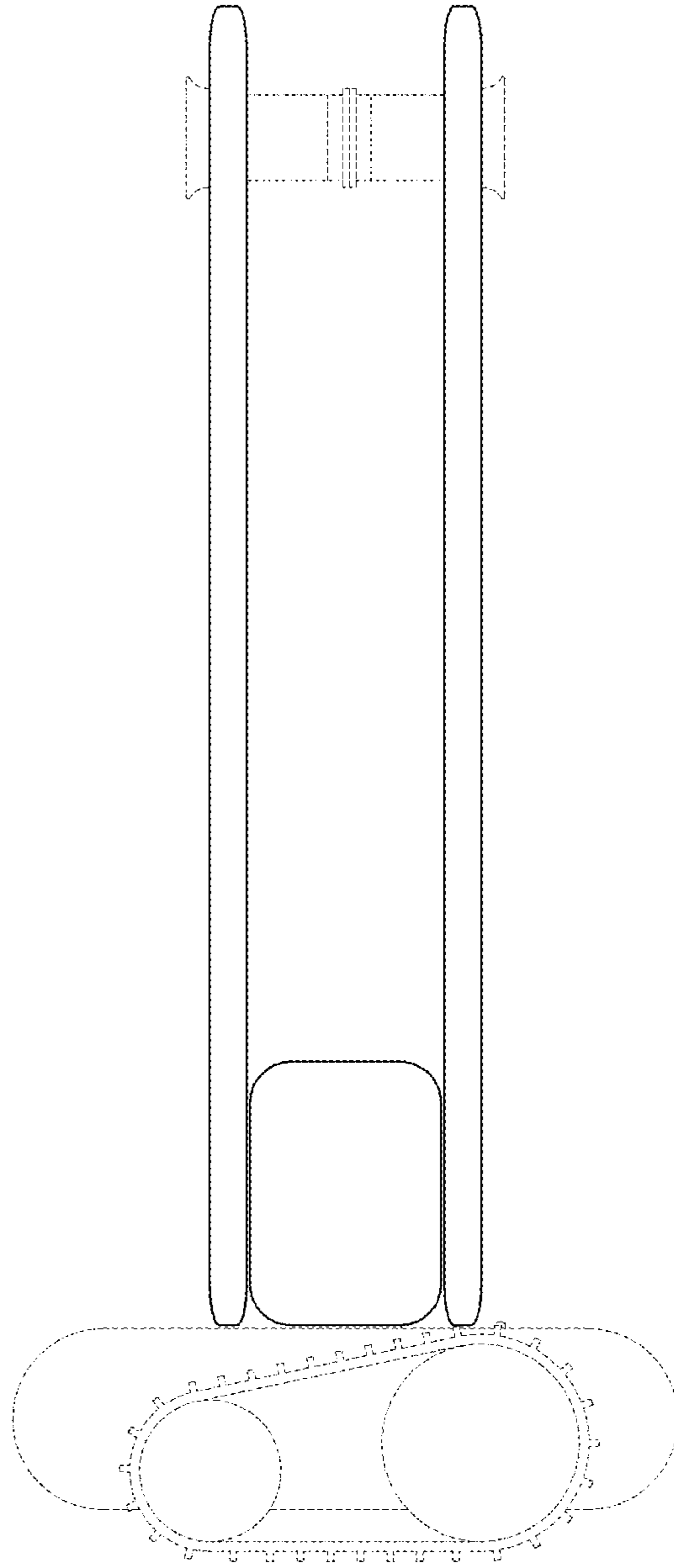


FIG. 12

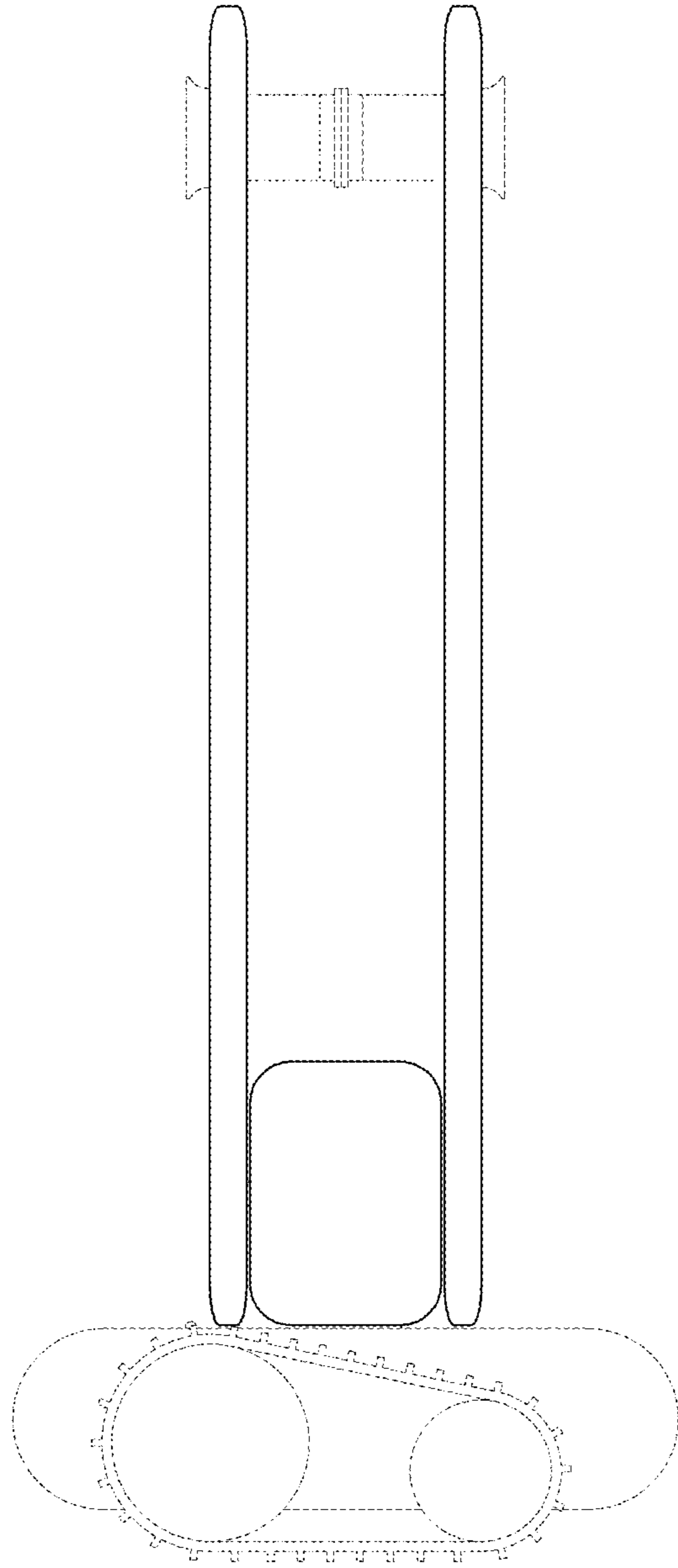


FIG. 13

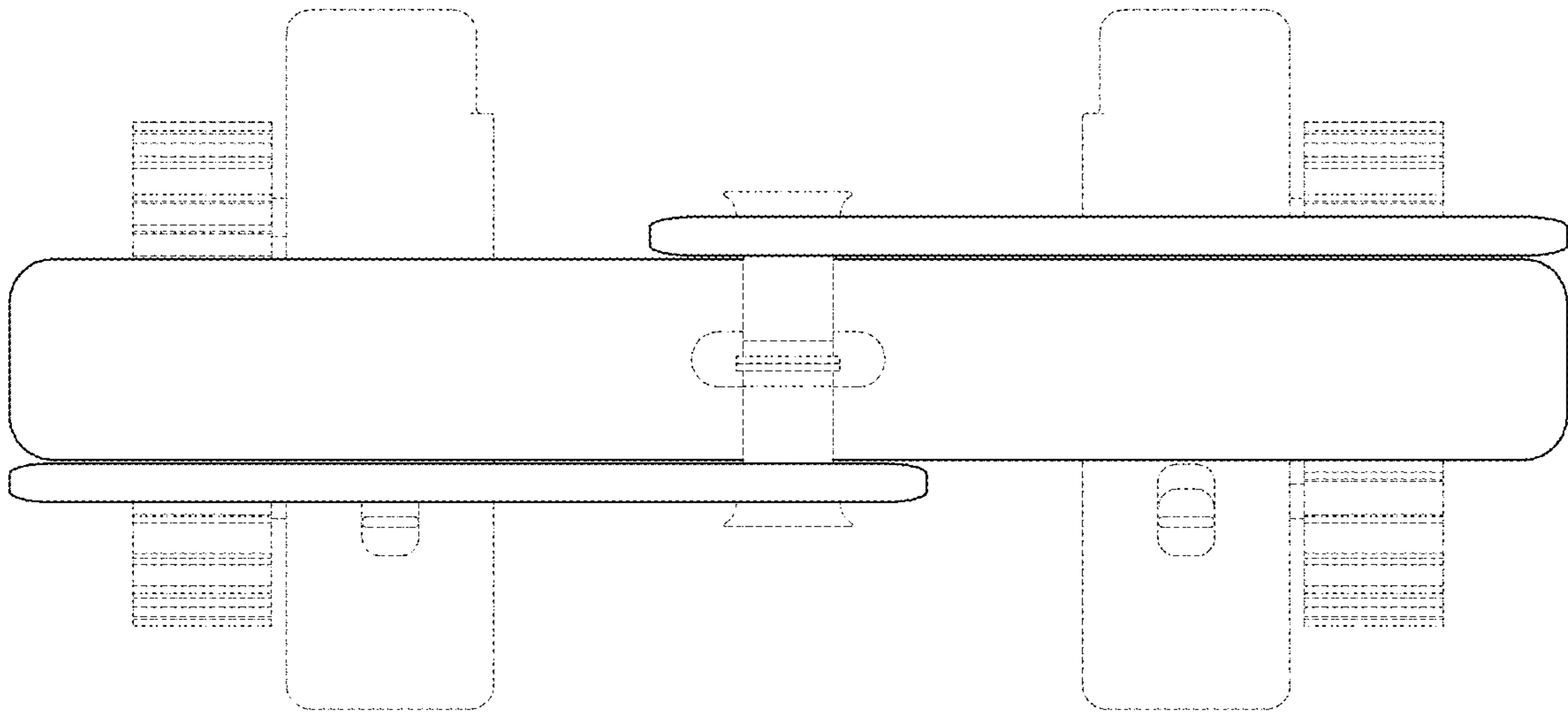


FIG. 14

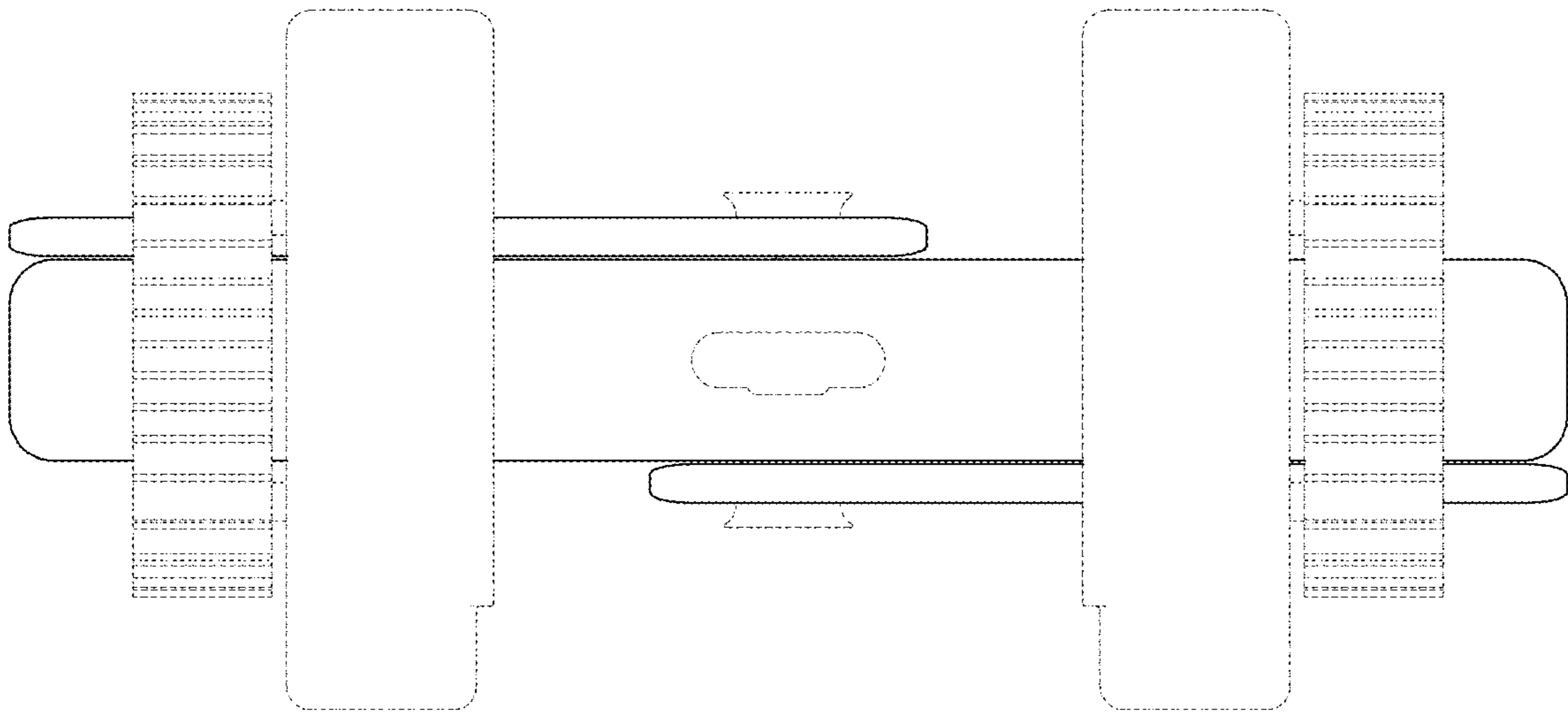


FIG. 15

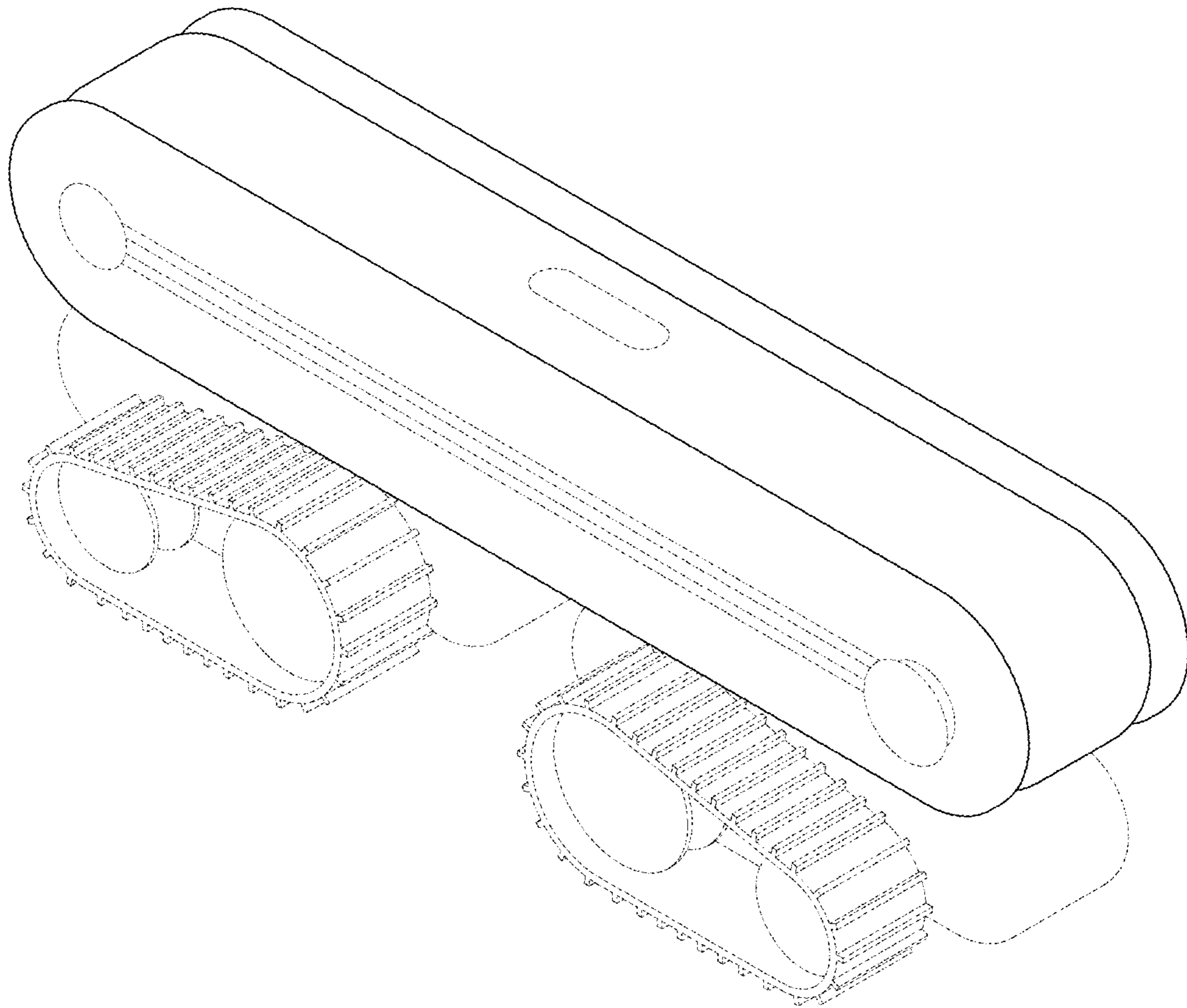


FIG. 16