



US00D951788S

(12) **United States Design Patent** (10) **Patent No.:** **US D951,788 S**
Lu (45) **Date of Patent:** **** May 17, 2022**

(54) **VEHICLE DIAGNOSTIC DEVICE**
(71) Applicant: **AUTEL INTELLIGENT TECHNOLOGY CORP., LTD.**,
Guangdong (CN)
(72) Inventor: **Boming Lu**, Guangdong (CN)
(73) Assignee: **AUTEL INTELLIGENT TECHNOLOGY CORP., LTD.**,
Shenzhen (CN)
(**) Term: **15 Years**

(21) Appl. No.: **29/779,348**

(22) Filed: **Apr. 19, 2021**

(30) **Foreign Application Priority Data**

Oct. 19, 2020 (CN) 202030621368.6

(51) **LOC (13) Cl.** **10-04**

(52) **U.S. Cl.**
USPC **D10/78**

(58) **Field of Classification Search**
USPC D10/96-103, 65-80, 61; D14/383, 357,
D14/341

CPC G01R 31/3646; G01R 31/385;
G01R 31/364; G01R 1/04; G01R 5/00;
G01R 7/00; G01R 17/00; G01R 19/00;
G01R 21/00; G01R 22/00; G01R 23/00;
G01R 25/00; G01R 27/00; G01R 1/22;
G01R 1/06788; H01M 10/4285; H01R
11/11; H01R 12/57; H01R 2201/26;
H01R 13/6275; H01R 13/639; Y02E
60/10; Y02E 10/72; C02F 1/008; C02F
2201/326; C02F 2209/001; C02F
2209/006; C02F 2209/008; H05K 5/0247;
G07C 5/02; G07C 2205/02; G07C
5/0808; G07C 5/0825; G07C 5/008;
G07C 5/00; G07C 5/08; B60R 1/00;
B60R 3/00; B60R 13/00; B60R 15/00;
B60R 16/023; B60R 16/00; B60R 16/005;
G01C

(Continued)

(56) **References Cited**

U.S. PATENT DOCUMENTS

D694,752 S * 12/2013 Li D14/341
D785,617 S * 5/2017 Bidwell D14/341
D785,618 S * 5/2017 Schwibner D14/341

(Continued)

FOREIGN PATENT DOCUMENTS

CN 305274322 * 2/2019
CN 305365949 * 3/2019

(Continued)

OTHER PUBLICATIONS

Ancel Store, V6 PRO OBD2 Scanner, Date first available May 31,
2021, [online]retrieved Mar. 10, 2022, available from https://www.amazon.com/dp/B094XBL9LZ/ref=sspa_dk_detail_5?psc=1&pd_rd_w=bt7B5&pf_rd_p=b9951ce4-3bd8-4b04-9123-0fda35d6155e&pd_rd_wg=02wGS&pf_rd_r=Z52S2A02NB51E4GNP9DB&pd_rd_r=145d38b2-6273-40a (Year: 2021).*

(Continued)

Primary Examiner — Keli L Hill
Assistant Examiner — Sara S Sahneh

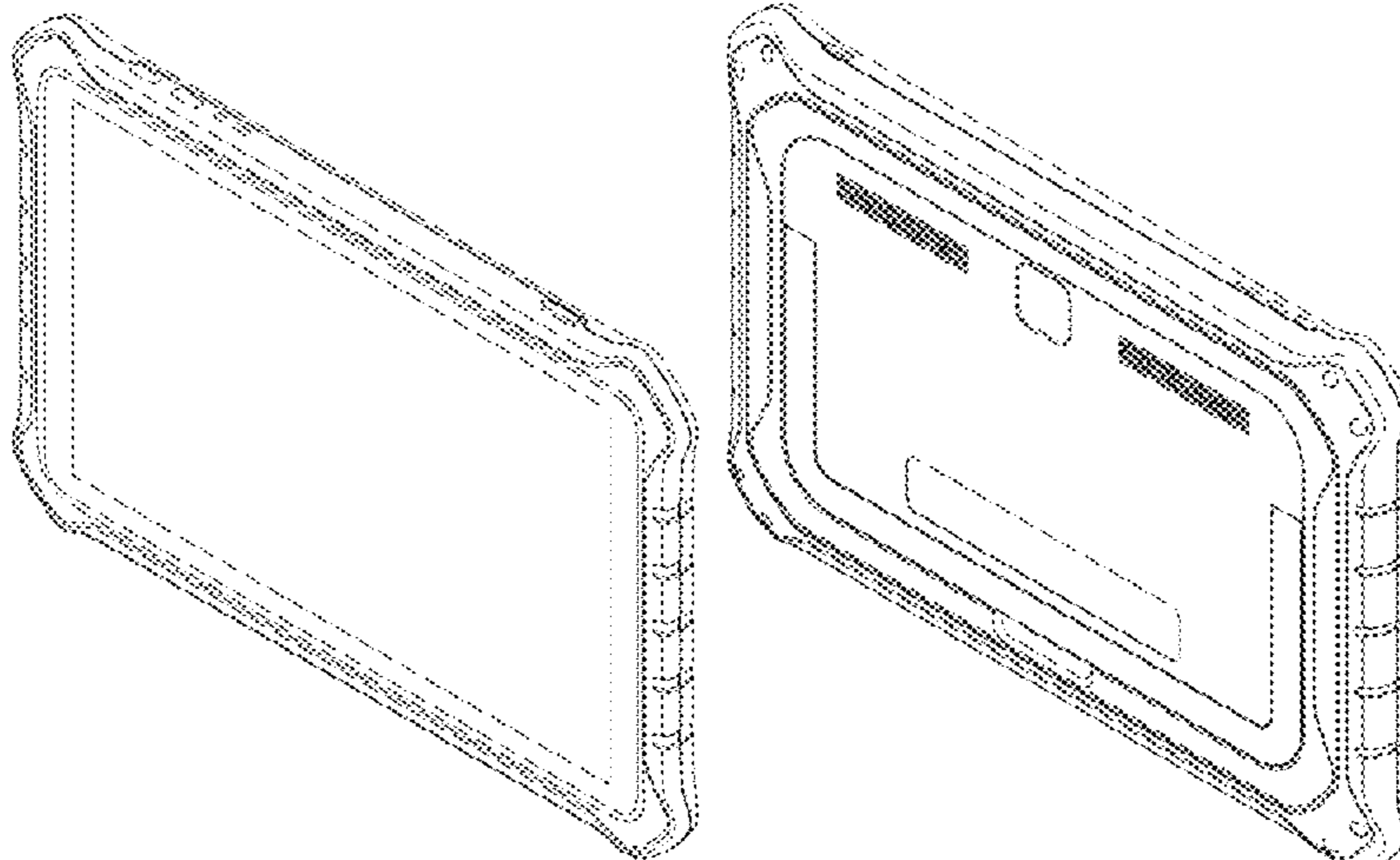
(57) **CLAIM**

The ornamental design for a vehicle diagnostic device, as shown and described.

DESCRIPTION

FIG. 1 is a front elevational view of a vehicle diagnostic device showing my new design;
FIG. 2 is a back elevational view thereof;
FIG. 3 is a left side elevational view thereof;
FIG. 4 is a right side elevational view thereof;
FIG. 5 is a top plan view thereof;
FIG. 6 is a bottom plan view thereof;
FIG. 7 is a first perspective view thereof; and,
FIG. 8 is a second perspective view thereof.

1 Claim, 4 Drawing Sheets



(58) **Field of Classification Search**
 CPC 21/16; G01C 25/00; G01M 15/02; G06F
 1/1626; G06F 1/166; G06F 1/1656
 See application file for complete search history.

EM	008305593-0004	* 12/2020
EM	008426993-0001	* 2/2021
GB	6126189	* 3/2021

OTHER PUBLICATIONS

(56) **References Cited**

U.S. PATENT DOCUMENTS

D830,209	S *	10/2018	Wang	D10/78
D837,074	S *	1/2019	Lu	D10/78
D840,849	S *	2/2019	Wang	D10/78
D864,198	S *	10/2019	Bidwell	D14/341
D938,841	S *	12/2021	Lu	D10/78
D939,368	S *	12/2021	Lu	D10/78
D942,288	S *	2/2022	Wang	D10/78
2006/0241829	A1 *	10/2006	Schmeisser	G06F 1/1609 701/33.2
2006/0241830	A1 *	10/2006	Schmeisser	G06F 1/1626 361/752
2021/0356989	A1 *	11/2021	Huang	F16M 11/10

FOREIGN PATENT DOCUMENTS

EM	004029809-0001	* 6/2017
EM	005434016-0001	* 7/2018

Ancel Store, Diagnostic Scan Tool, Date first available Jun. 30, 2021, [online]retrieved Mar. 10, 2022,available from https://www.amazon.com/dp/B0978VC3BK/ref=sspa_dk_detail_1?psc=1&pd_rd_w=ZN3Me&pf_rd_p=b9951ce4-3bd8-4b04-9123-0fda35d6155e&pd_rd_wg=YfHU4&pf_rd_r=BWTBDZ2430V5XD4HZCFJ&pd_rd_r=1dc4bb5c-20d6 (Year: 2021).*

Thinktool Store, Diagnostic Scan Tool, Date first available Feb. 15, 2022, [online]retrieved Mar. 10, 2022,available from https://www.amazon.com/dp/B09PGY8V6T/ref=sspa_dk_detail_4?psc=1&pd_rd_w=vwKRD&pf_rd_p=b9951ce4-3bd8-4b04-9123-0fda35d6155e&pd_rd_wg=sOyh3&pf_rd_r=RN4T1TJYP5MFWAKBZW0E&pd_rd_r=82dab2 (Year: 2022).*

FOXWELL Store,All System OBD2 Scanner, Date first available Aug. 15, 2019,[online]retrieved Mar. 10, 2022,available from https://www.amazon.com/dp/B07WK1XFZL/ref=sspa_dk_detail_6?psc=1&pd_rd_i=B07WK1XFZL&pd_rd_w=pGMDP&pf_rd_p=b9951ce4-3bd8-4b04-9123-0fda35d6155e&pd_rd_wg=ZohHX&pf_rd_r=BXQNRENZG12C1PXMZQB (Year: 2019).*

* cited by examiner



FIG.1

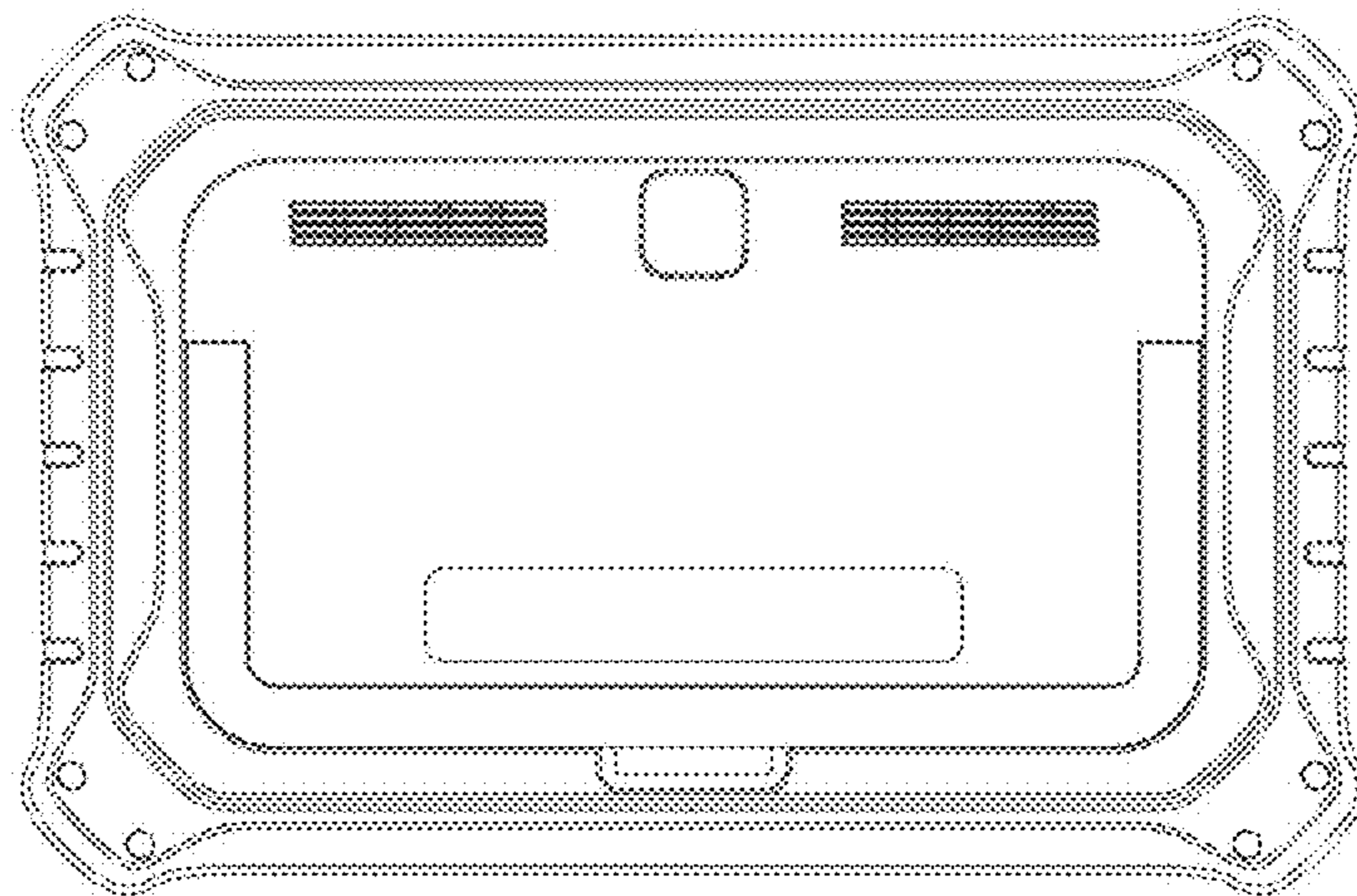


FIG.2



FIG.3

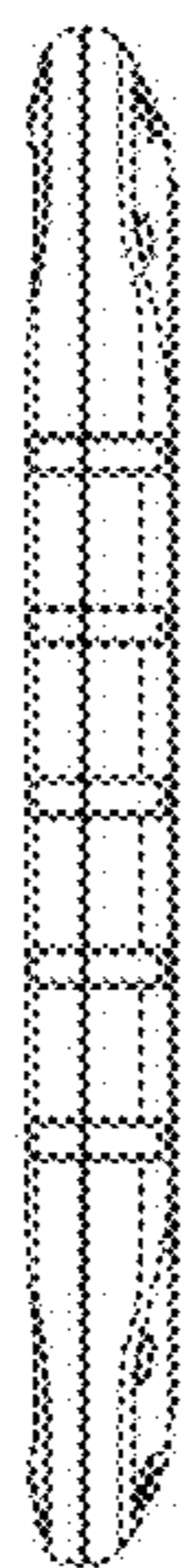


FIG.4

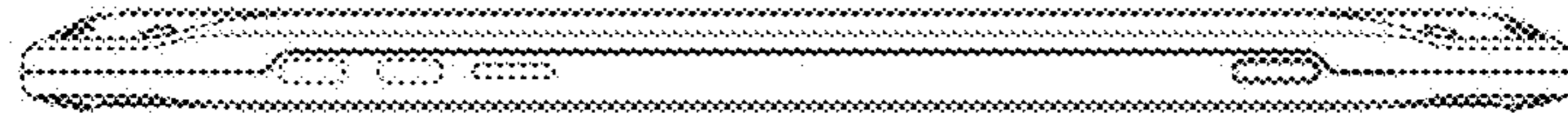


FIG.5

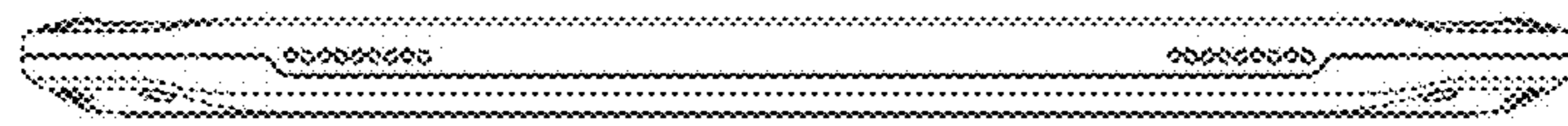


FIG.6

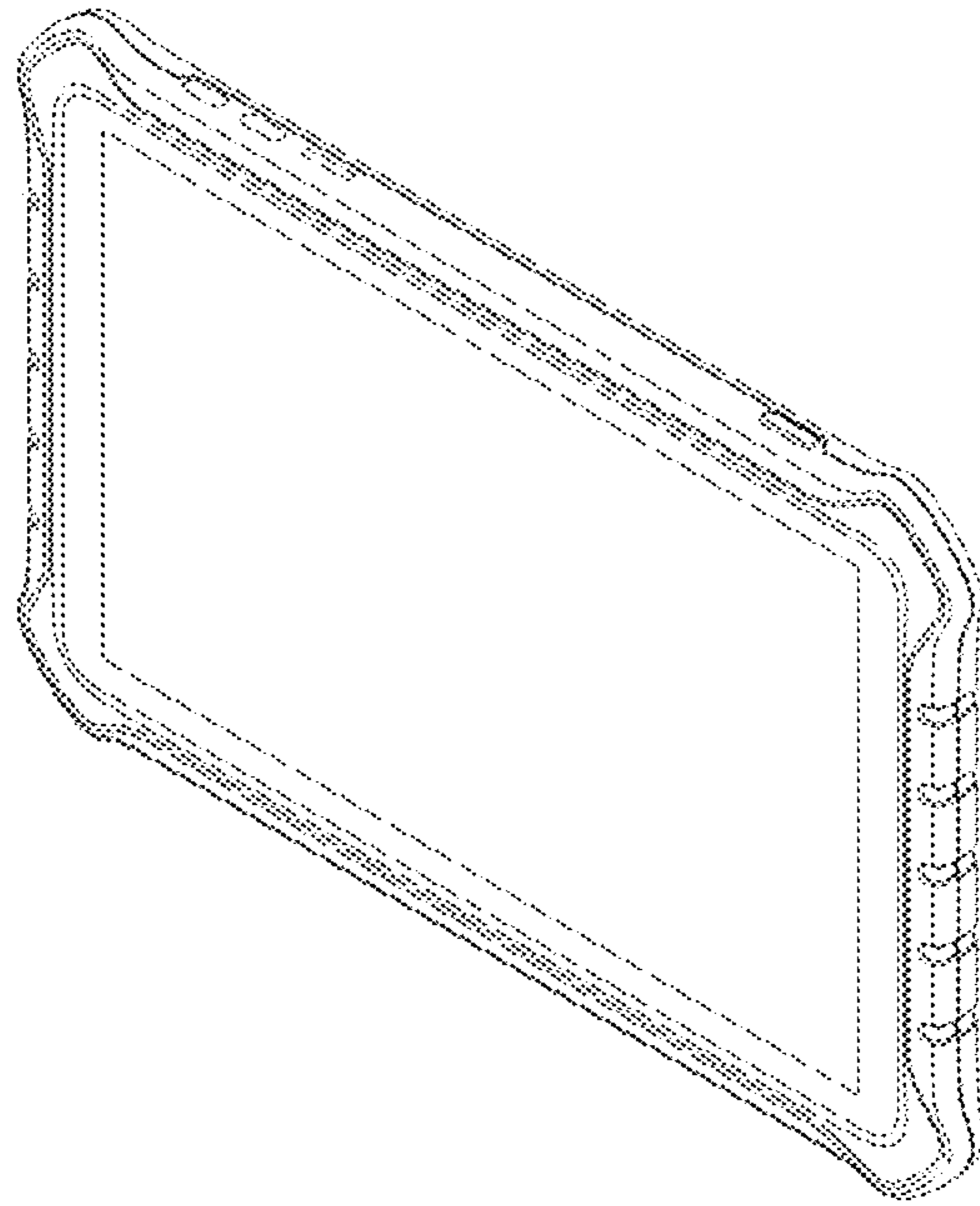


FIG. 7

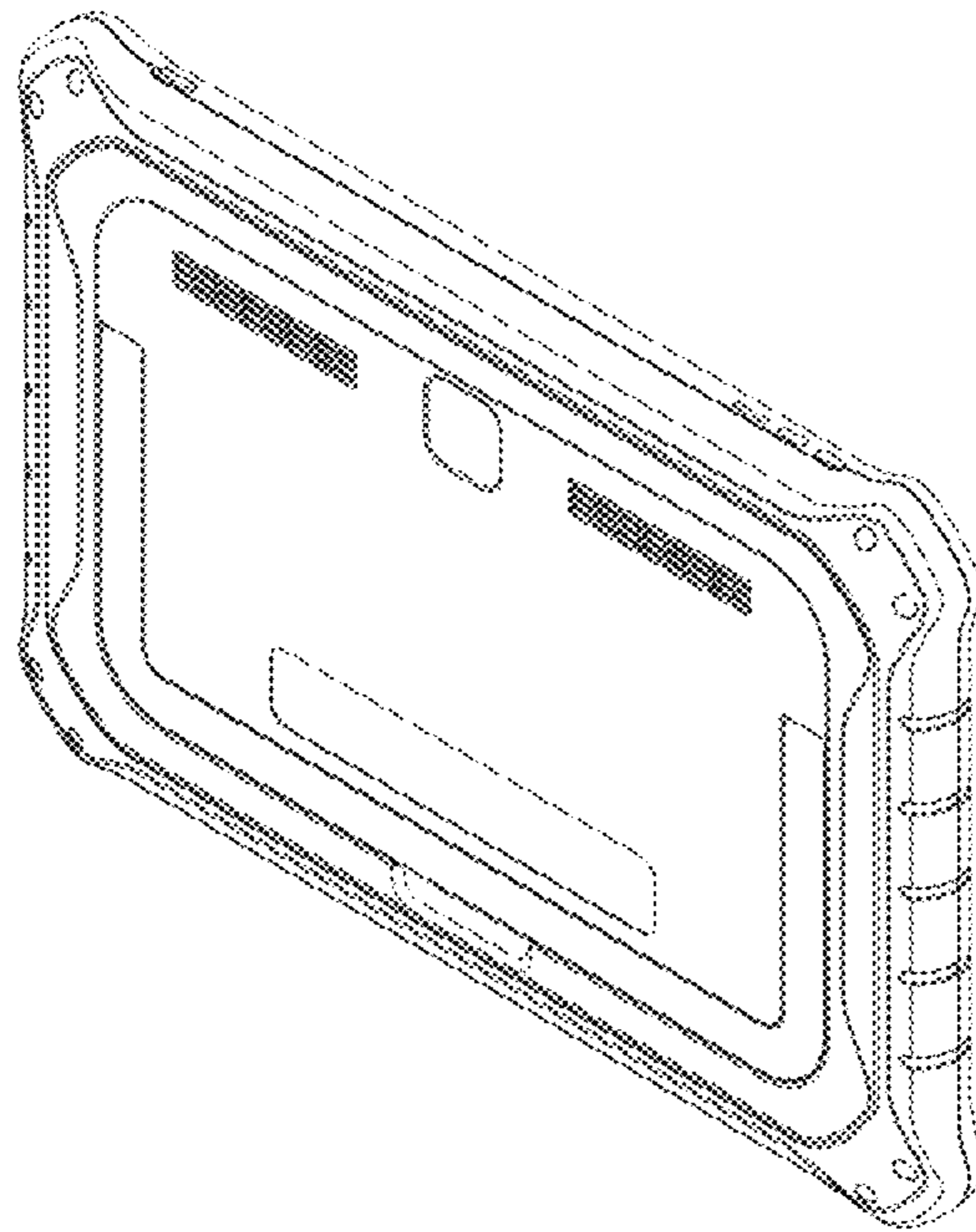


FIG. 8