



US00D951787S

(12) **United States Design Patent** (10) **Patent No.:** **US D951,787 S**
He (45) **Date of Patent:** **** May 17, 2022**

(54) **RADIATION SHIELDING SYSTEM**

(56) **References Cited**

(71) Applicant: **Crecre Test Technology (Shenzhen) Co., Ltd.**, Shenzhen (CN)

U.S. PATENT DOCUMENTS

(72) Inventor: **Sixian He**, Shenzhen (CN)

D297,136 S * 8/1988 Collins D13/184

(73) Assignee: **CRECRE TEST TECHNOLOGY (SHENZHEN) CO., LTD.**, Shenzhen (CN)

* cited by examiner

Primary Examiner — Antoine Duval Davis

(**) Term: **15 Years**

(57) **CLAIM**

The ornamental design for a radiation shielding system, as shown and described.

(21) Appl. No.: **29/746,685**

DESCRIPTION

(22) Filed: **Aug. 16, 2020**

FIG. 1 is a perspective view of a radiation shielding system showing my new design;

(30) **Foreign Application Priority Data**

Jul. 20, 2020 (CN) 202030395668.7

FIG. 2 is another perspective view thereof;

(51) **LOC (13) Cl.** **10-04**

FIG. 3 is a front elevational view thereof;

(52) **U.S. Cl.**

USPC **D10/75; D14/356**

FIG. 4 is a rear elevational view thereof;

(58) **Field of Classification Search**

USPC D10/46, 75; D14/356

CPC H04L 43/50; H04B 17/00; H04B 17/0082;

H04B 17/0085; H04B 17/0087; H04B

17/10; H04B 17/11; H04B 17/15; H04B

17/20; H04B 17/30; H04B 17/40; H04W

24/00; H04W 24/02; H04W 24/04; H04W

24/06; H04W 24/08; H04W 24/10

See application file for complete search history.

FIG. 5 is a left side elevational view thereof;

FIG. 6 is a right side elevational view thereof;

FIG. 7 is a top plan view thereof;

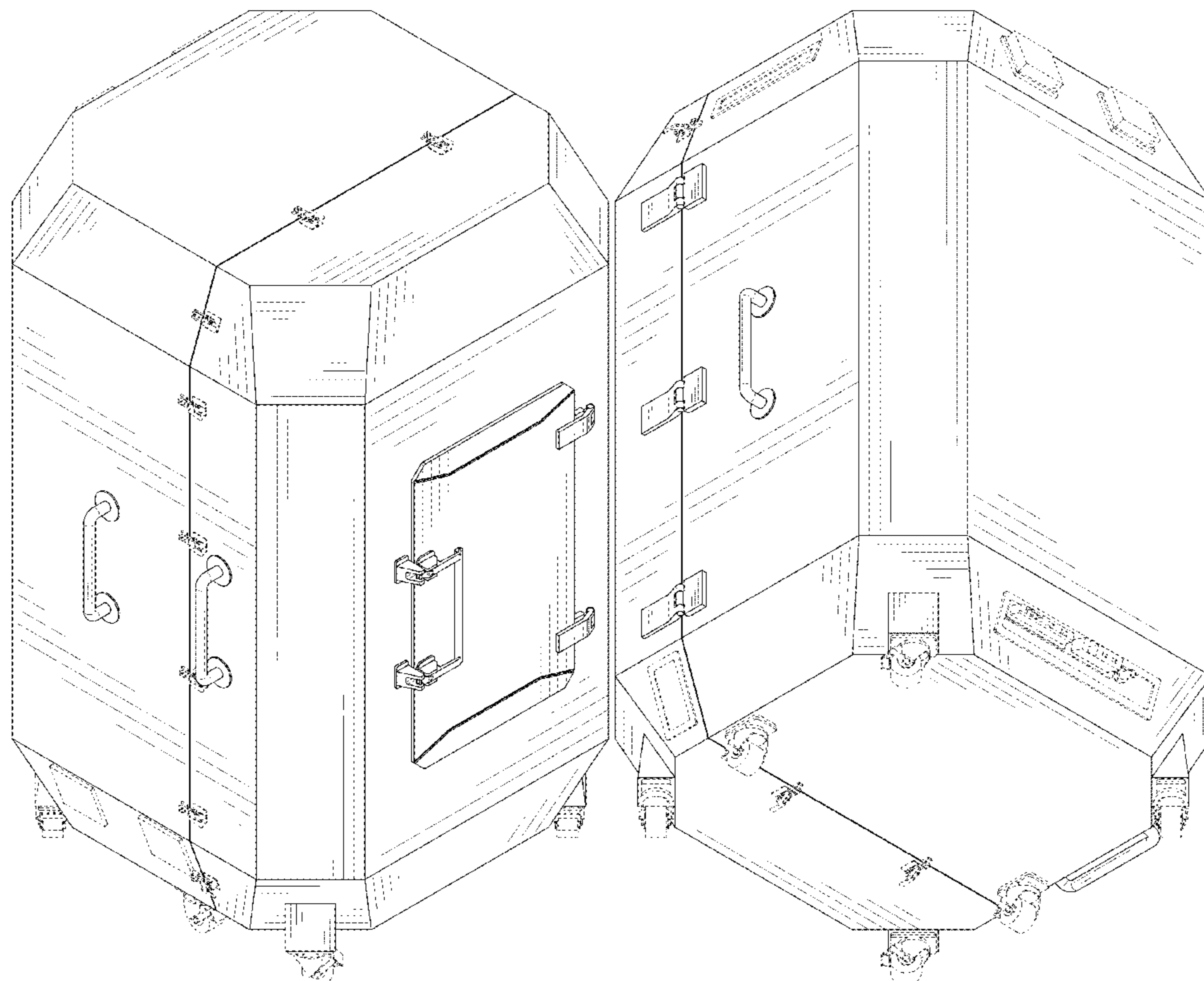
FIG. 8 is a bottom plan view thereof;

FIG. 9 is a perspective view of the radiation shielding system where the radiation shielding system is in a configuration of use; and,

FIG. 10 is an enlarged partial view of a lock taken from front center of FIG. 1.

The broken lines in the drawings depict portions of the radiation shielding system that form no part of the claimed design.

1 Claim, 10 Drawing Sheets



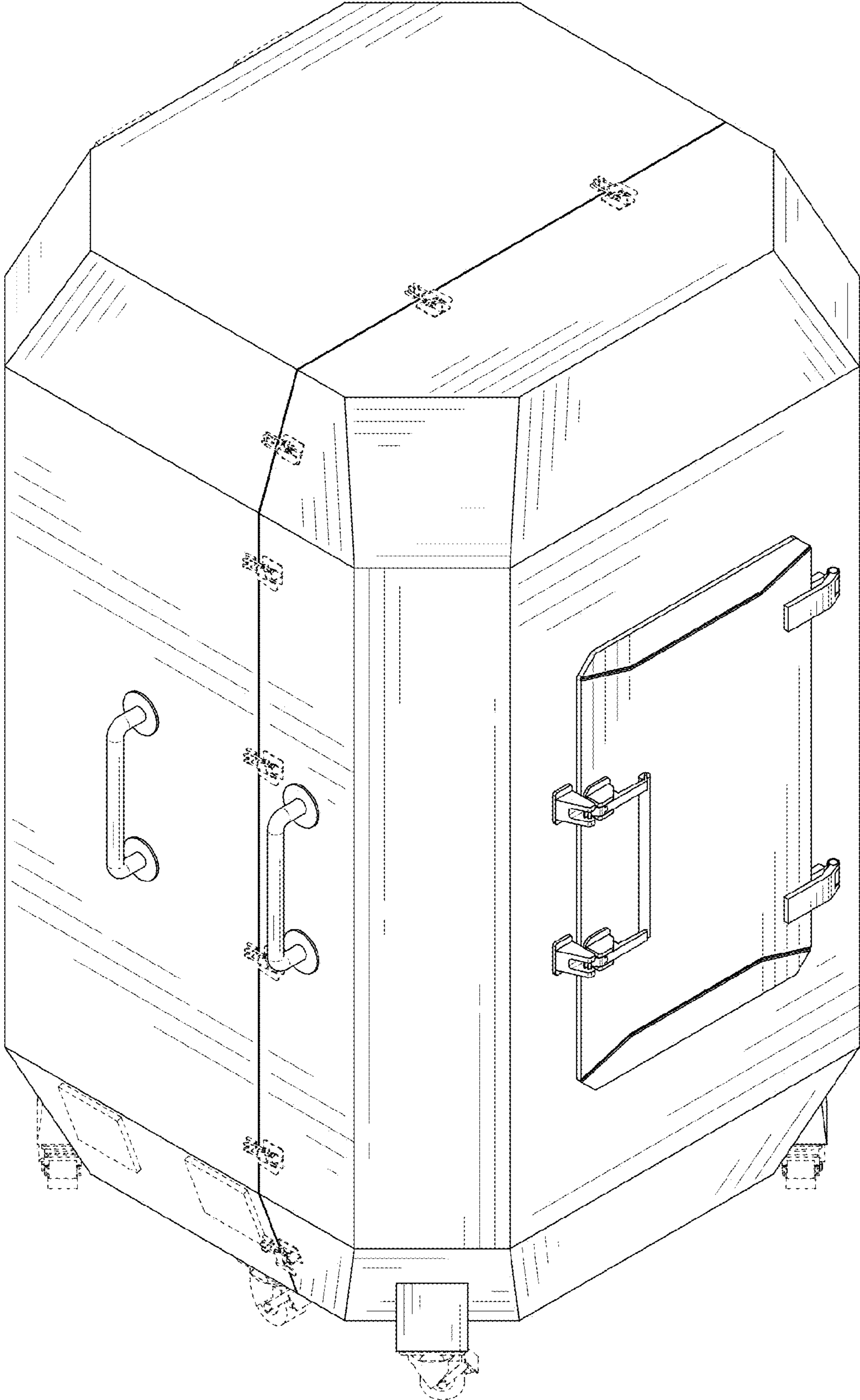


FIG. 1

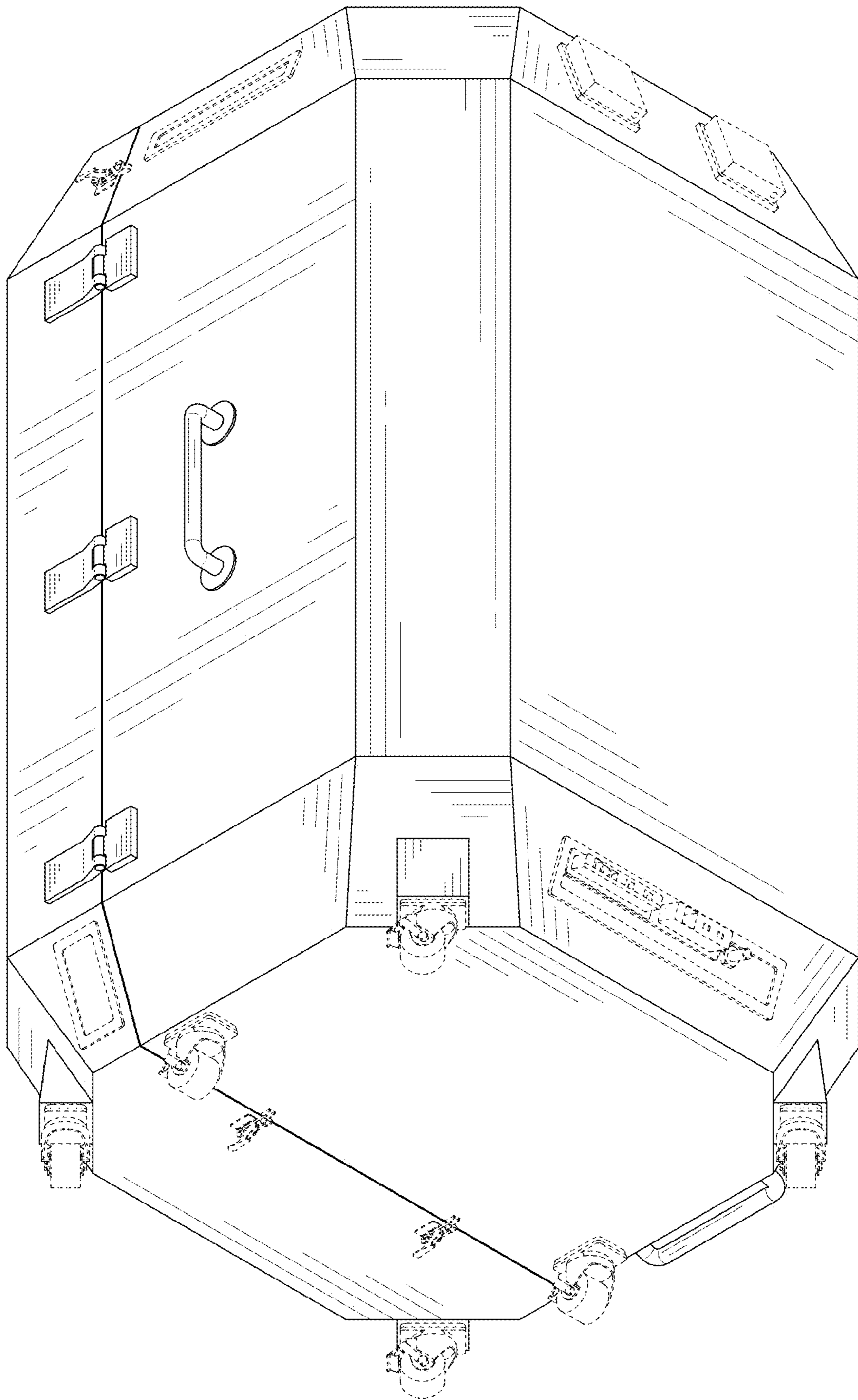


FIG. 2

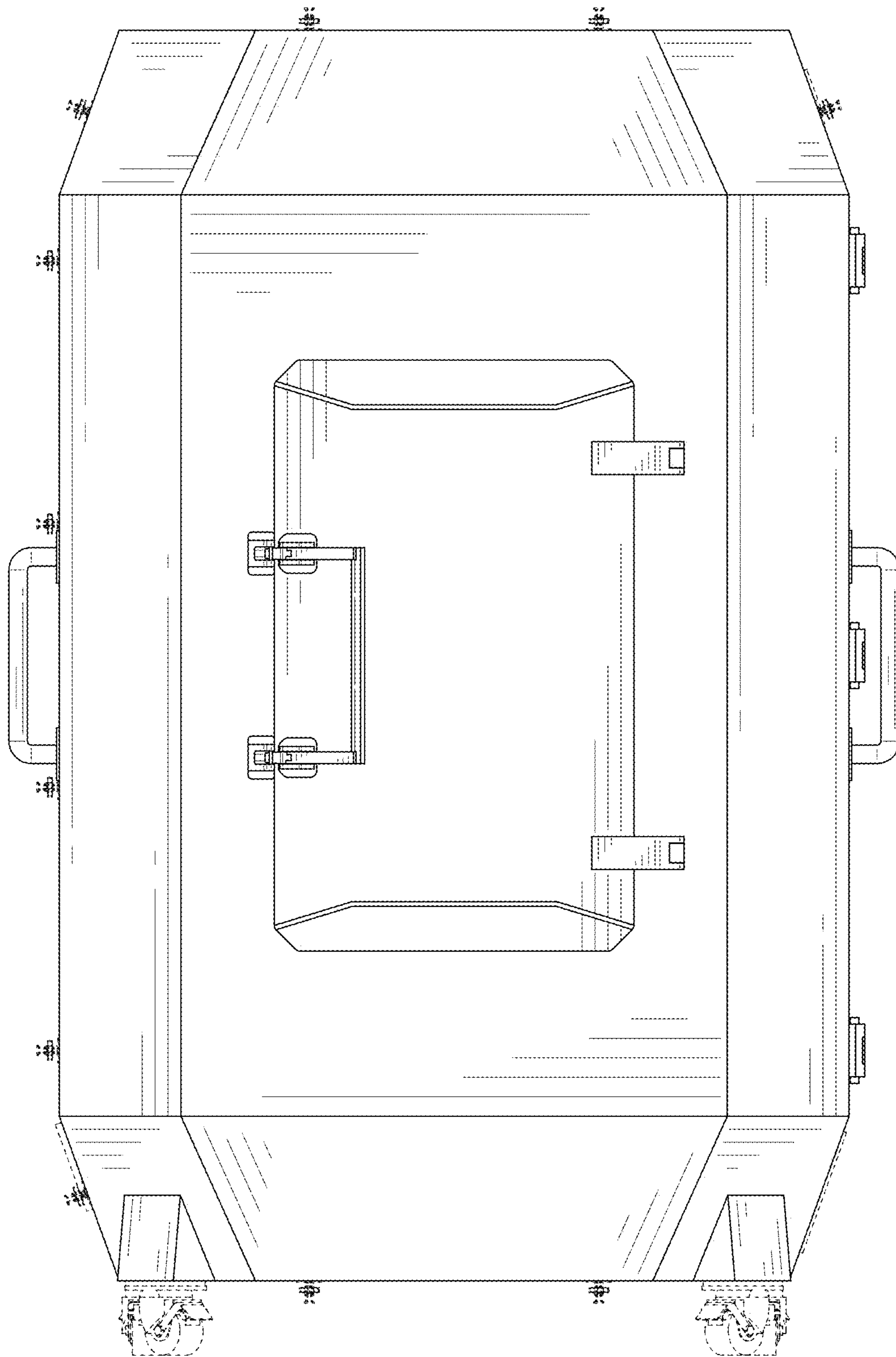


FIG. 3

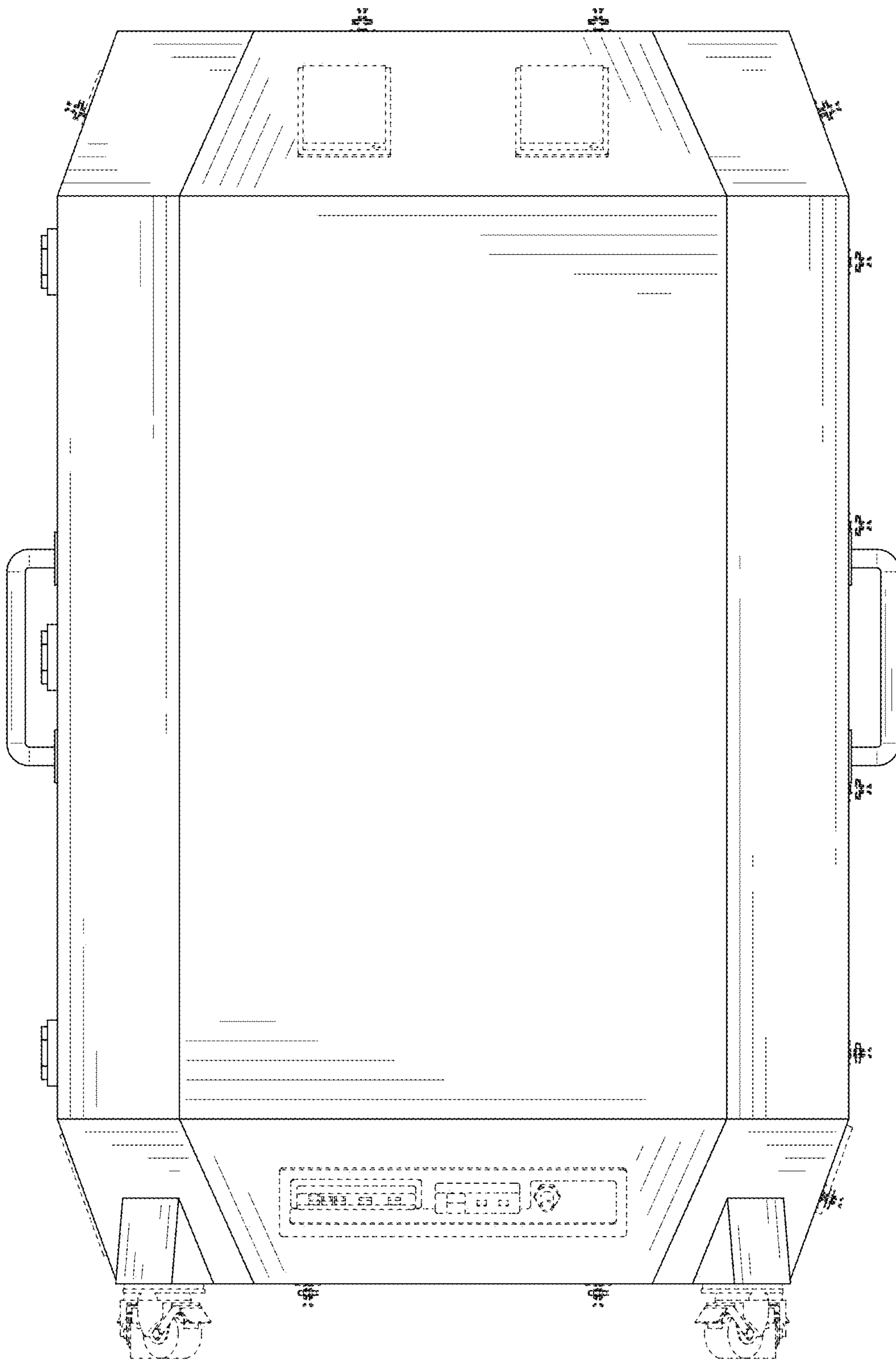


FIG. 4

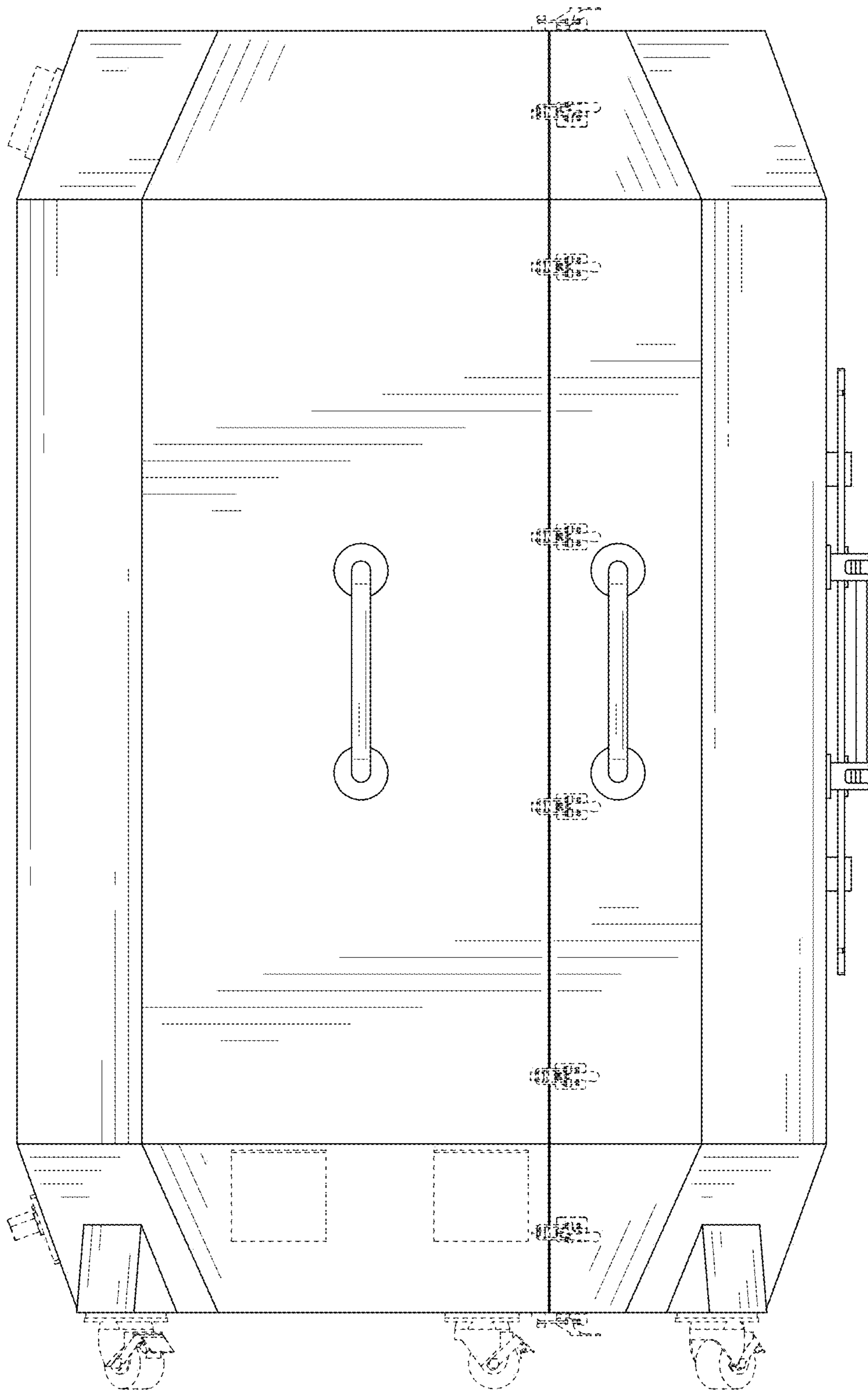


FIG. 5

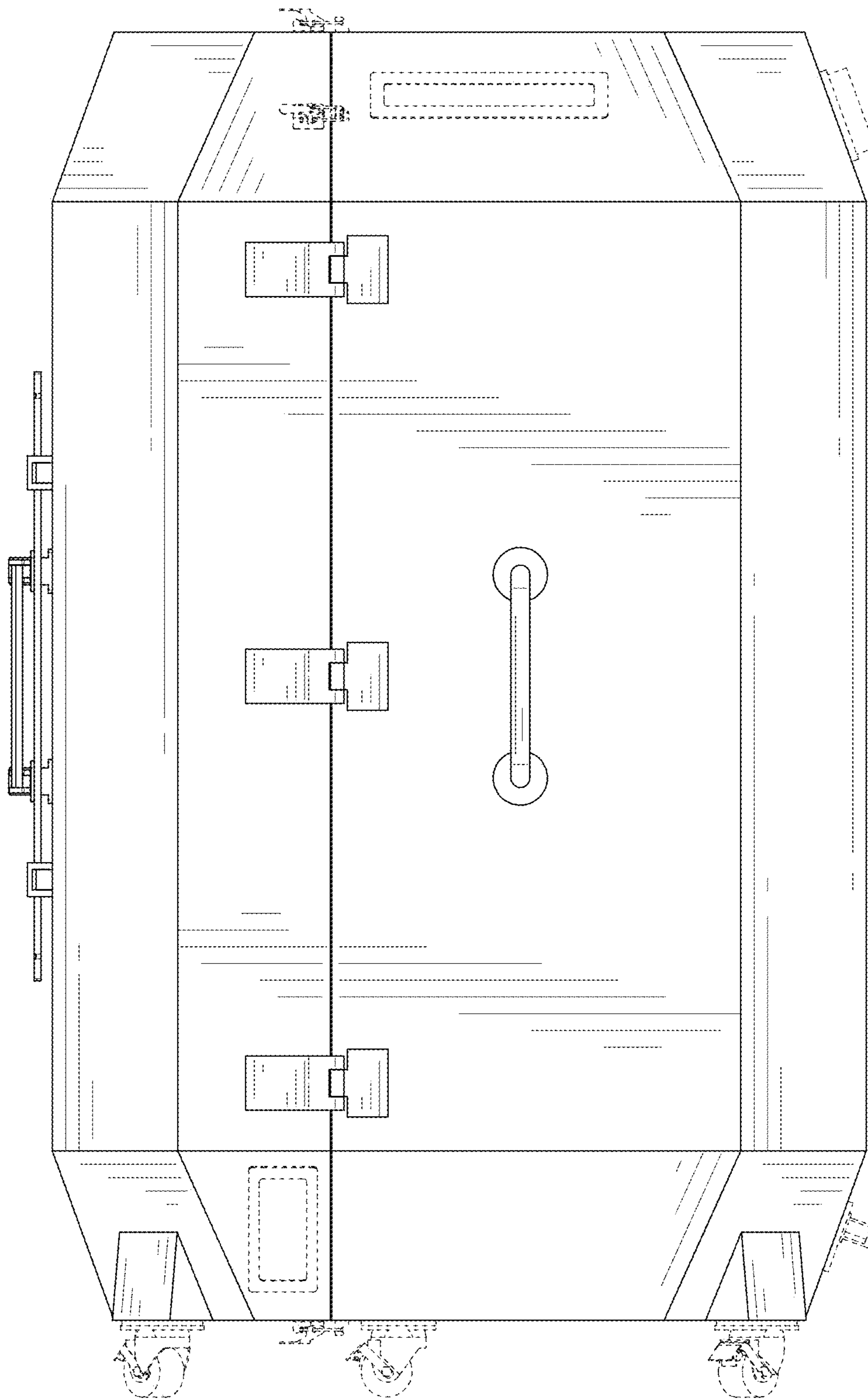


FIG. 6

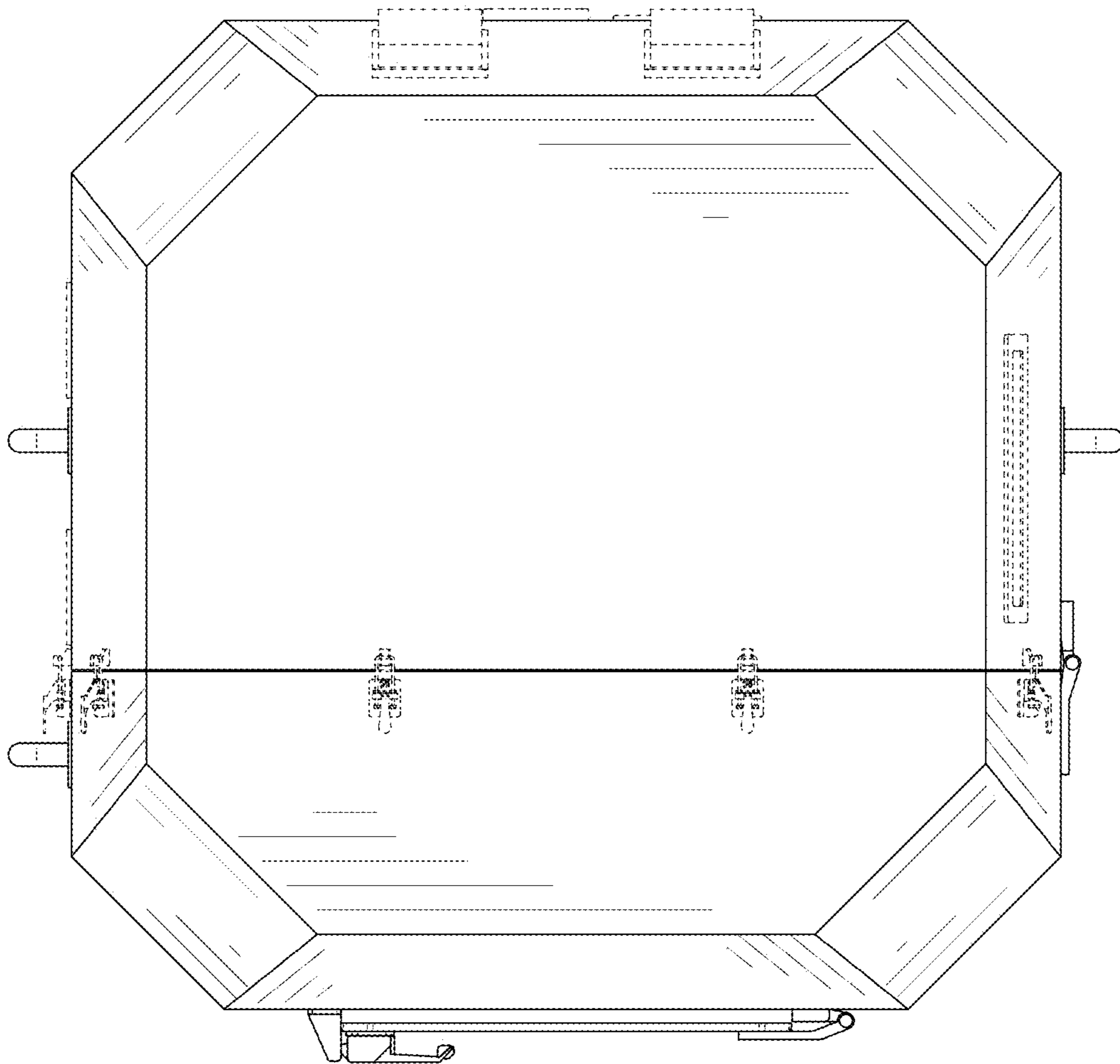


FIG. 7

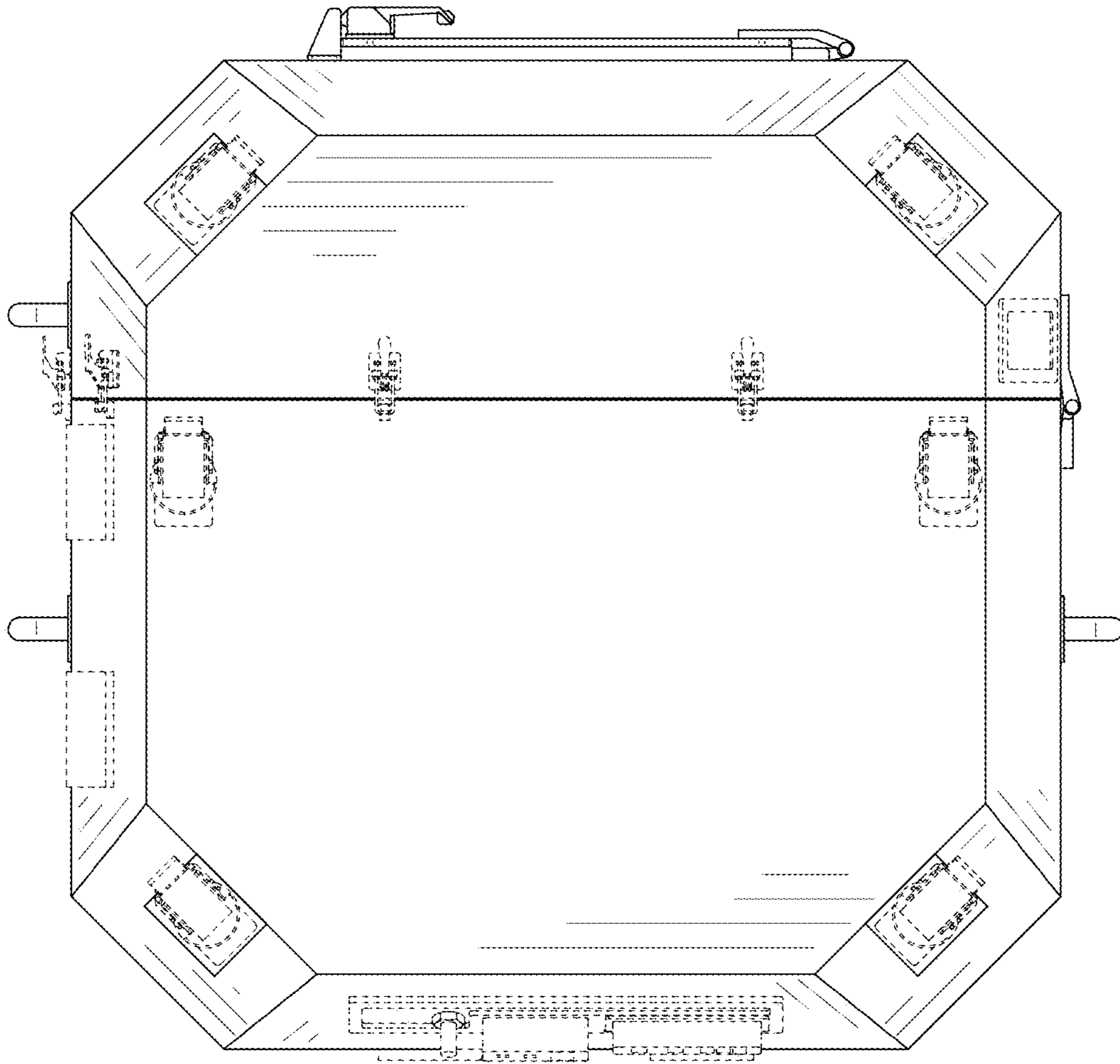


FIG. 8

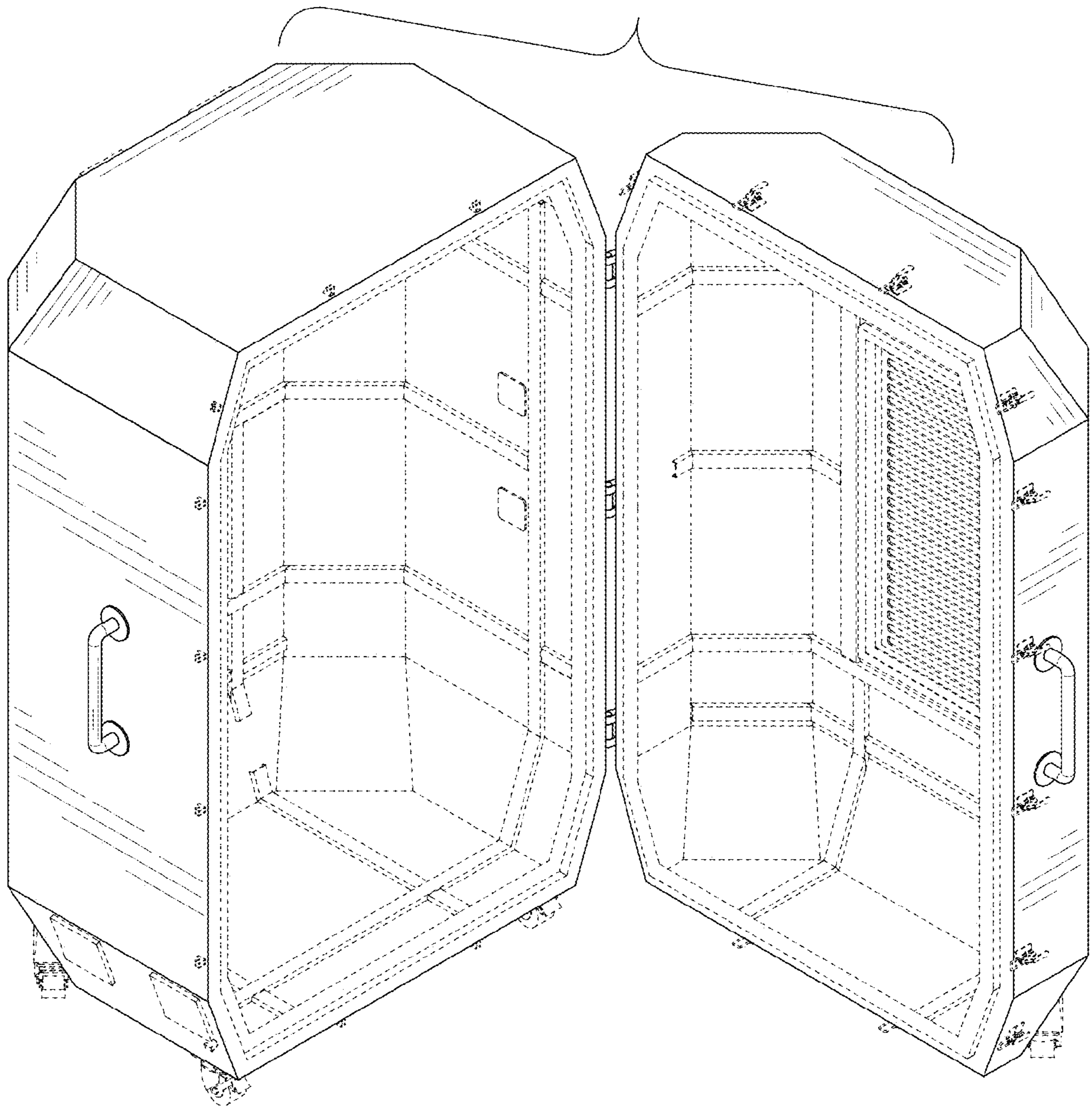


FIG. 9

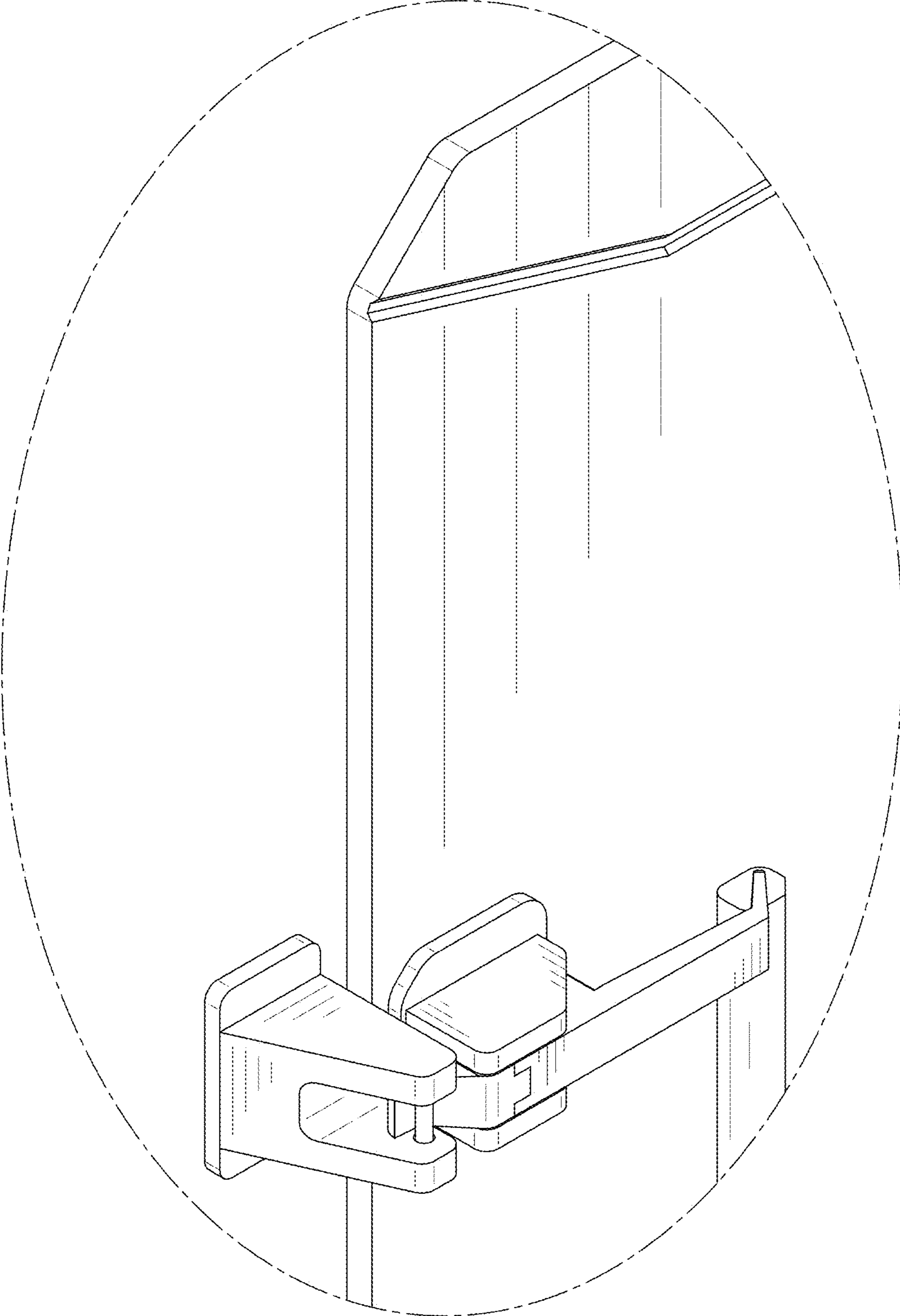


FIG. 10