



US00D951786S

(12) **United States Design Patent** (10) **Patent No.:** **US D951,786 S**
Kivelä et al. (45) **Date of Patent:** **** May 17, 2022**

(54) **DEVICE FOR MONITORING AND CONTROLLING PERSONAL LIFESTYLE**

(71) Applicant: **OURA HEALTH OY**, Oulu (FI)

(72) Inventors: **Kari Kivelä**, Helsinki (FI); **Mikko Latomäki**, Helsinki (FI)

(73) Assignee: **Oura Health Oy**, Oulu (FI)

(**) Term: **15 Years**

(21) Appl. No.: **29/734,491**

(22) Filed: **May 13, 2020**

A63B 24/00–2024/0096; A63B 2213/00; A63B 69/0028; A63B 2071/0658–2071/0666; A63B 2220/00–2220/89; A63B 2225/02; A63C 11/02; A61B 5/681; A61B 5/6824; A61B 5/6825; A61B 5/6826; A61B 5/0537; A61B 5/4872; A61B 5/6831; A61B 5/4869; A61B 5/0858; A61B 5/1075; A61B 5/107; A61B 5/4875; A61B 5/4878; A61B 5/4881; A61B 5/61–5/6898; A44C 5/00–5/16; G04R 20/02; G04C 10/00; G04C 10/02; G08B 21/0269; G08B 21/0272; G08B 21/0286; G08B 21/0288;

(Continued)

Related U.S. Application Data

(62) Division of application No. 29/649,333, filed on May 29, 2018, now Pat. No. Des. 884,502.

Foreign Application Priority Data

Nov. 29, 2017 (EM) 004527950-0001
Nov. 29, 2017 (EM) 004527950-0002
Nov. 29, 2017 (EM) 004527950-0003
Nov. 29, 2017 (EM) 004527950-0004

(51) **LOC (13) Cl.** **10-04**

(52) **U.S. Cl.**
USPC **D10/70**; D10/97; D10/98; D14/344; D24/186

(58) **Field of Classification Search**

USPC D10/30–39, 65, 70, 78, 97, 98; D11/3; D14/138 R, 203.5, 203.6, 341, 344, 347; D24/167, 186
CPC G04B 19/00–19/34; G04B 21/12; G04B 23/12; G04B 37/00–37/228; G04B 47/00–47/068; G04B 45/0069; G04B 47/04; G04B 47/065; G04B 47/066; G01C 17/00; G01C 21/00–21/3697; G01C 22/00–22/025; G01C 23/00–23/005; G01C 21/16; G06F 19/3481; G06F 3/00–3/027; G06F 1/163; G01P 1/00–1/26; G01P 15/00–15/18;

(56) **References Cited**

U.S. PATENT DOCUMENTS

D753,625 S * 4/2016 Young D14/203.5
D753,654 S * 4/2016 Eastwood D14/344

(Continued)

Primary Examiner — Antoine Duval Davis

(74) *Attorney, Agent, or Firm* — Holland & Hart LLP

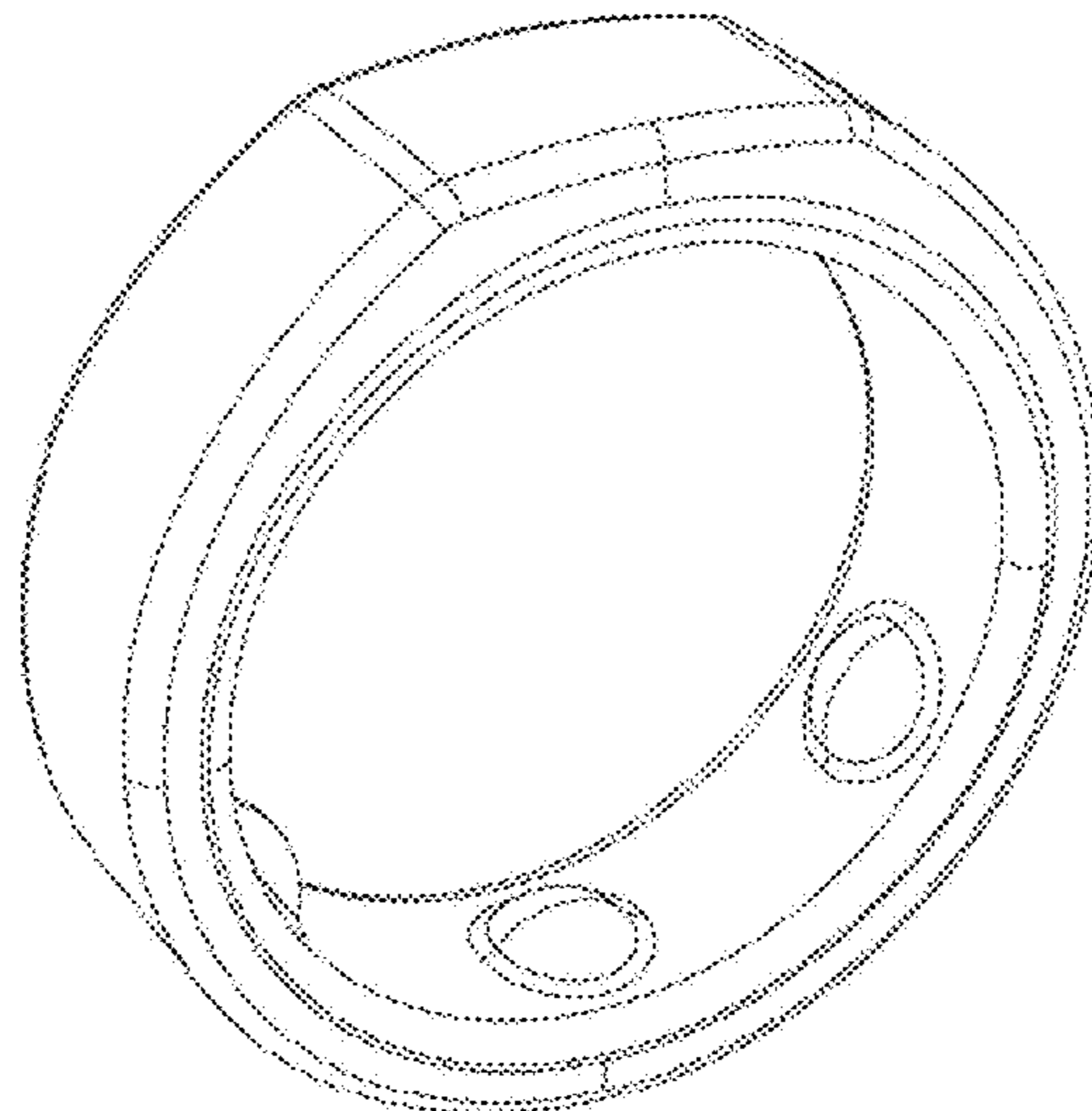
(57) **CLAIM**

The ornamental design for a device for monitoring and controlling personal lifestyle, as shown and described.

DESCRIPTION

FIG. 1 is a perspective view of an embodiment of a device for monitoring and controlling personal lifestyle showing the new design;
FIG. 2 is a right side view thereof;
FIG. 3 is a bottom view thereof;
FIG. 4 is a left side view thereof;
FIG. 5 is a front view thereof;
FIG. 6 is a back view thereof; and,
FIG. 7 is a top view thereof.

1 Claim, 7 Drawing Sheets



(58) **Field of Classification Search**

CPC . G08B 21/0291; G08B 21/04–21/2454; G01S
19/00–19/55; G04G 9/0064; G04G
9/0005

See application file for complete search history.

(56) **References Cited**

U.S. PATENT DOCUMENTS

D756,999	S	*	5/2016	von Badinski	D14/344
D764,339	S	*	8/2016	Roberts	D11/3
D781,850	S	*	3/2017	Tago	D14/344
D786,862	S	*	5/2017	Park	D14/344
D788,609	S	*	6/2017	Lenz	D10/70
D791,764	S	*	7/2017	von Badinski	D14/344
D791,765	S	*	7/2017	von Badinski	D14/344
D804,471	S	*	12/2017	von Badinski	D14/344
D844,599	S	*	4/2019	Stipancik	D14/344
D918,899	S	*	5/2021	Zhu	D14/344

* cited by examiner

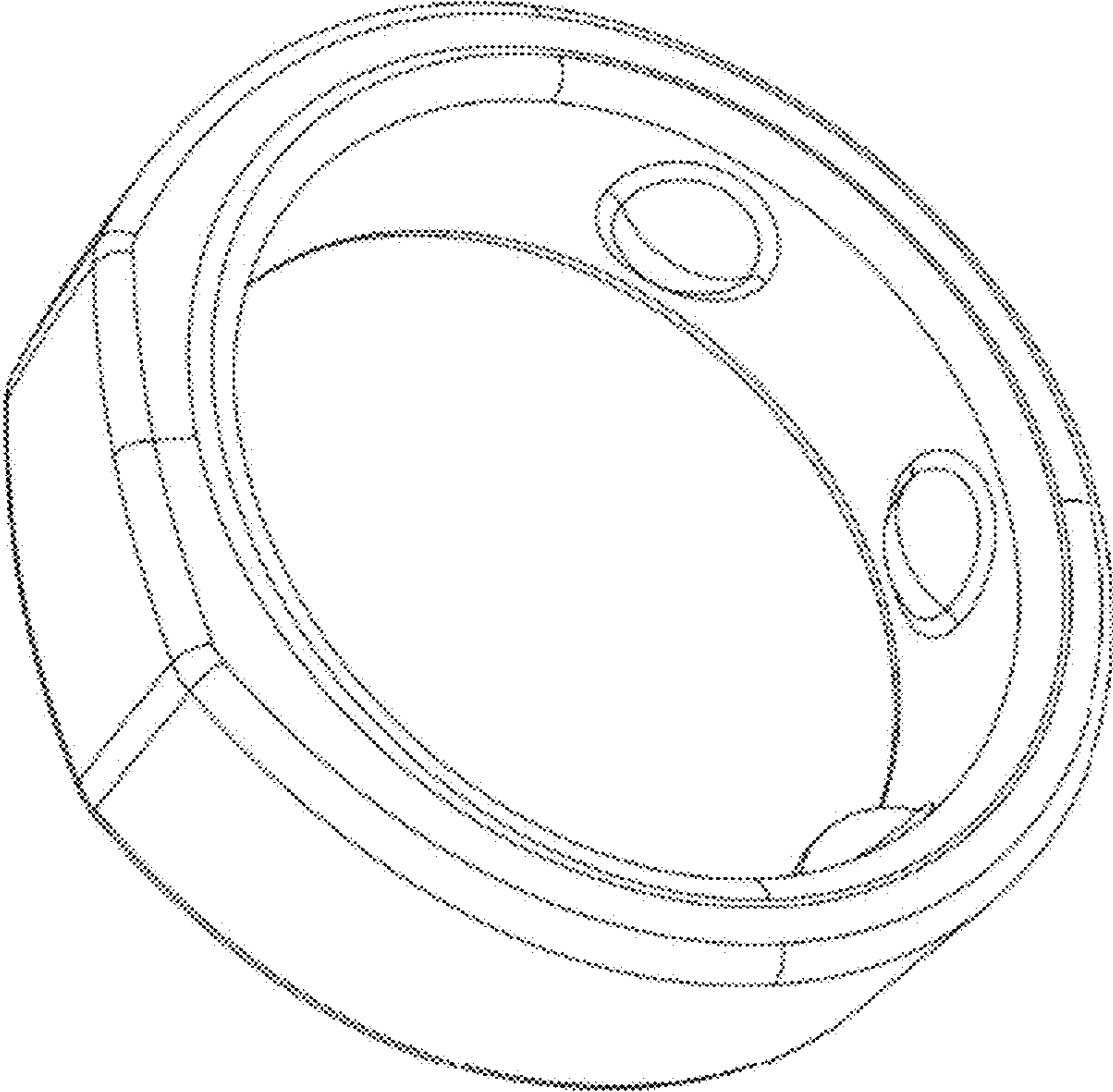


FIG. 1

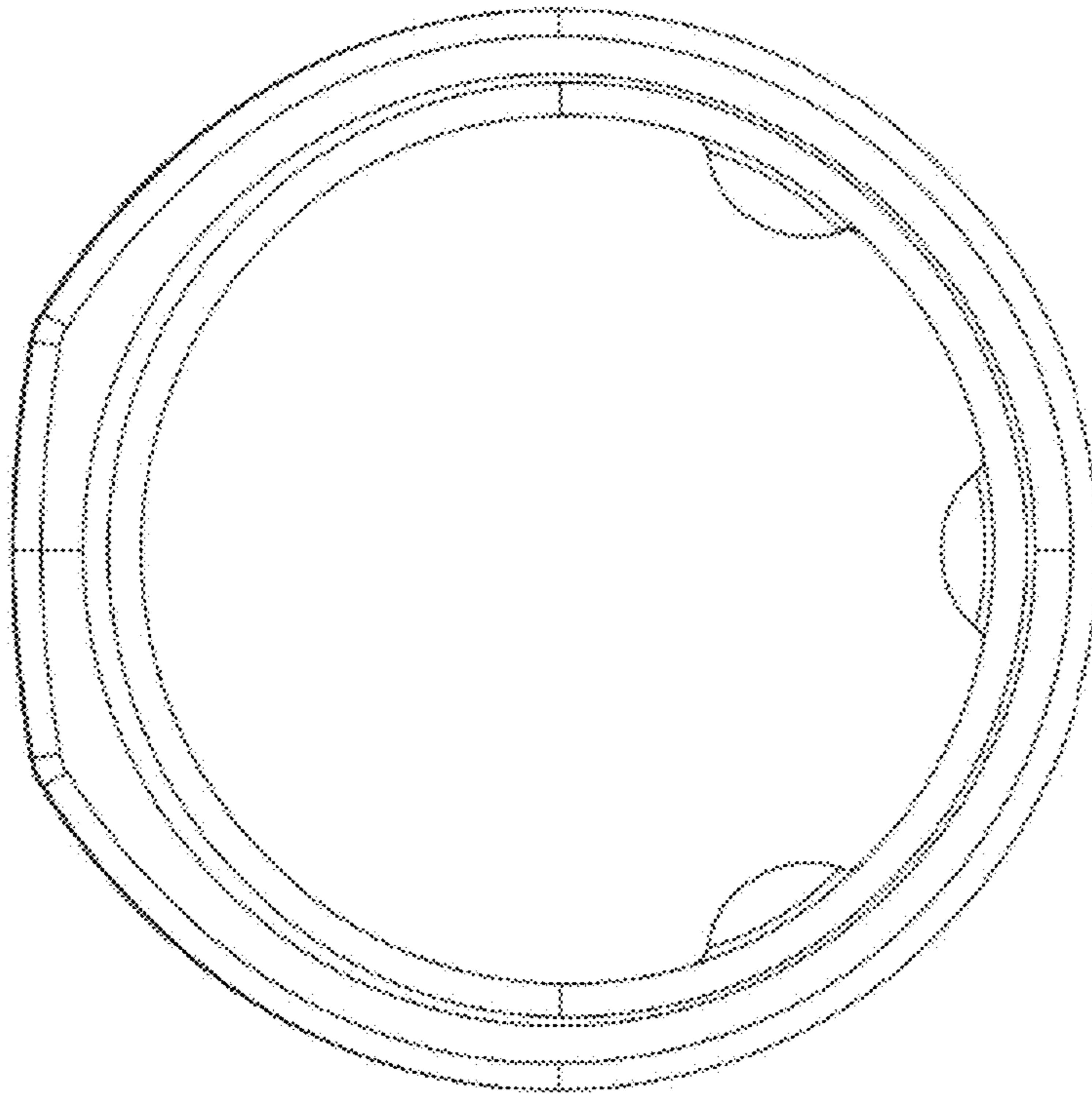


FIG. 2

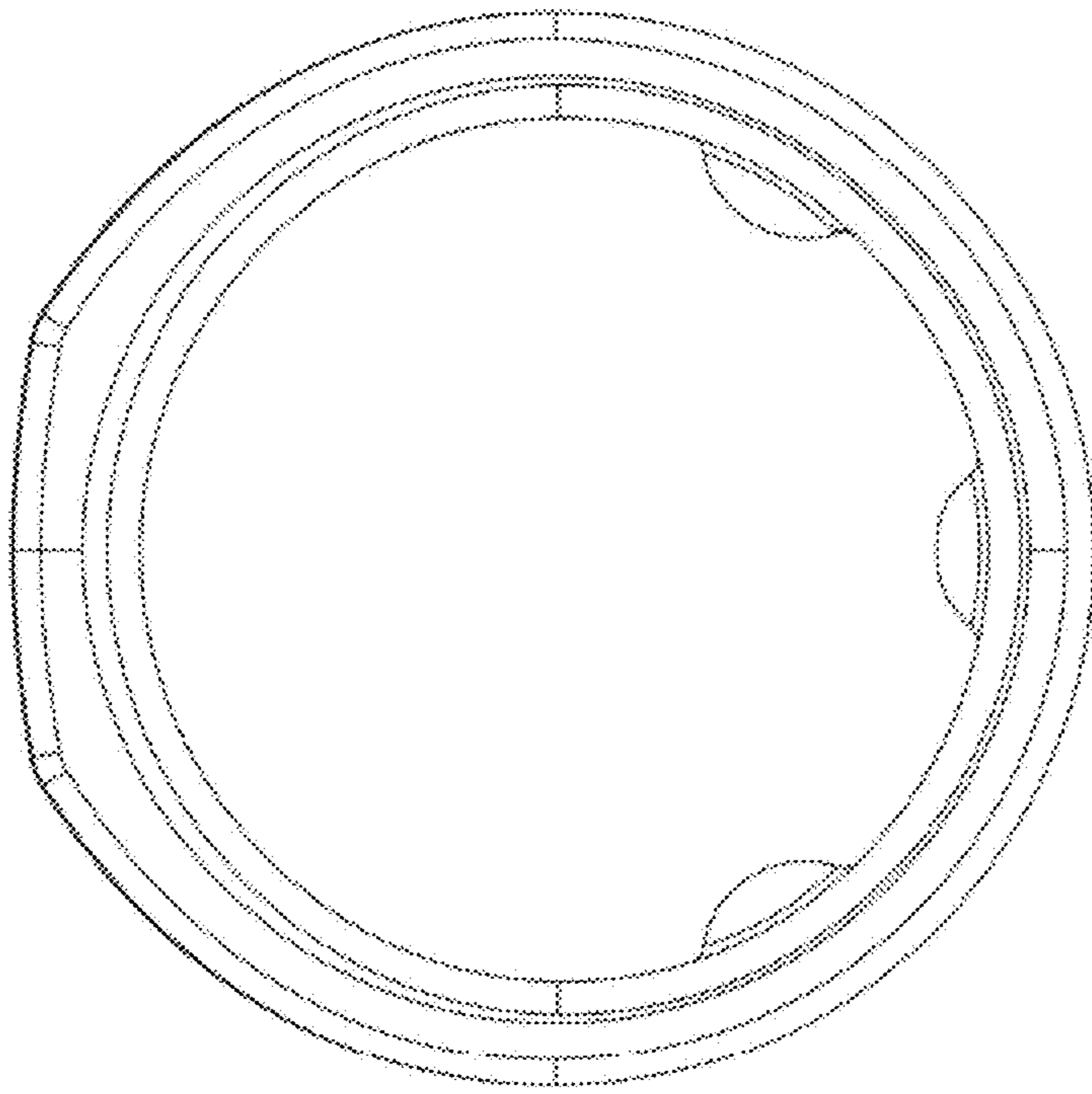


FIG. 3

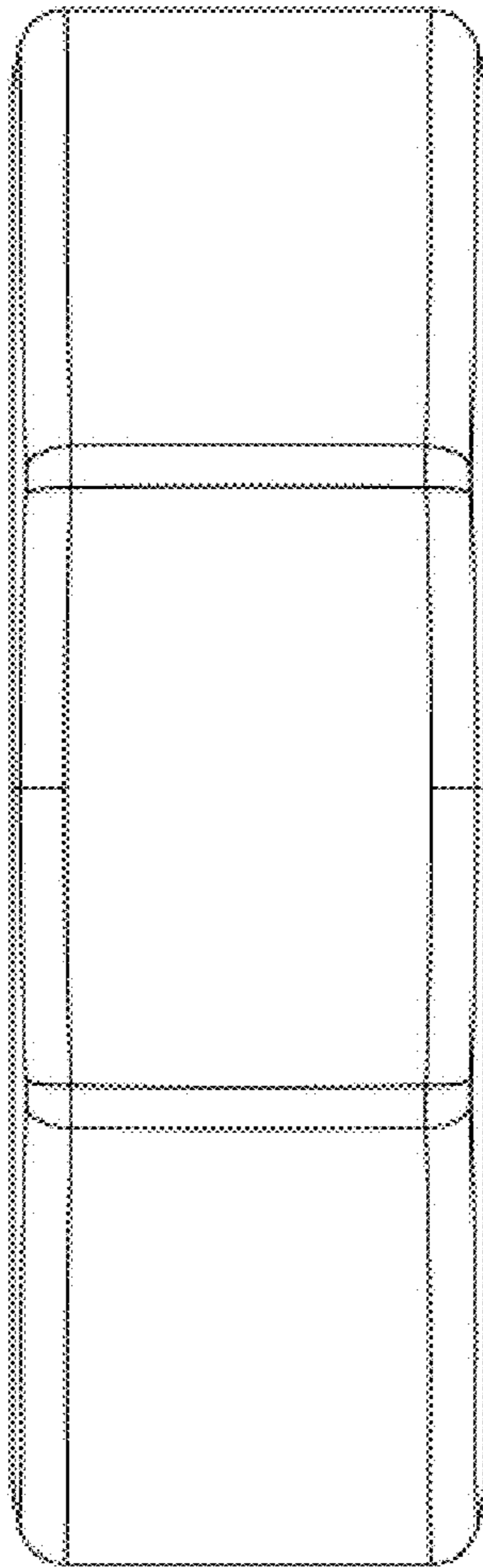


FIG. 4

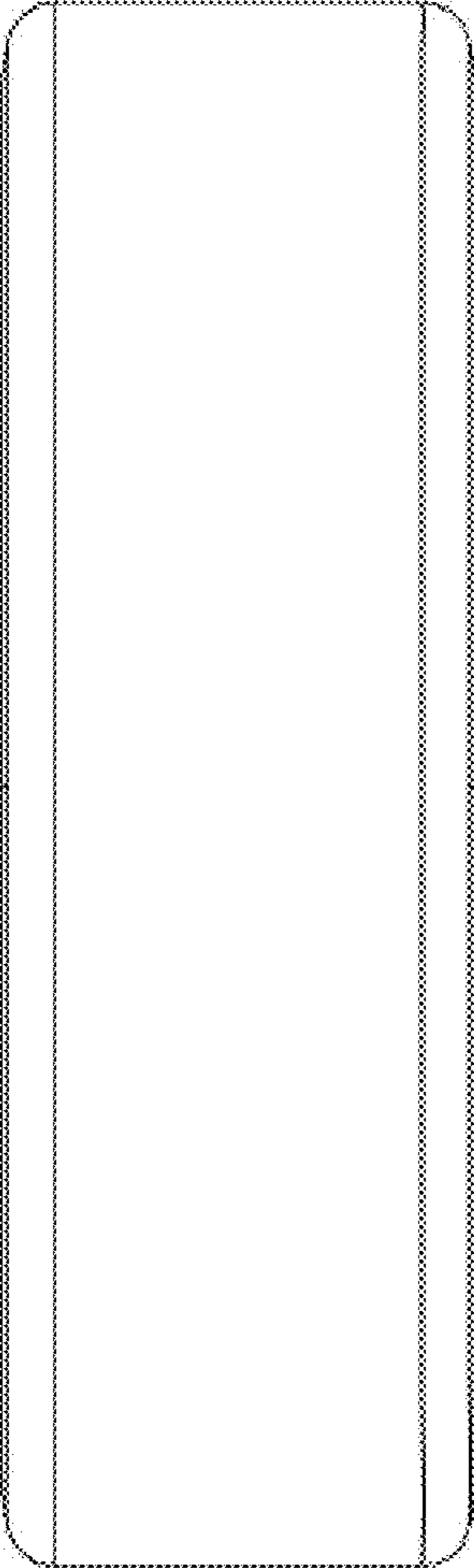


FIG. 5

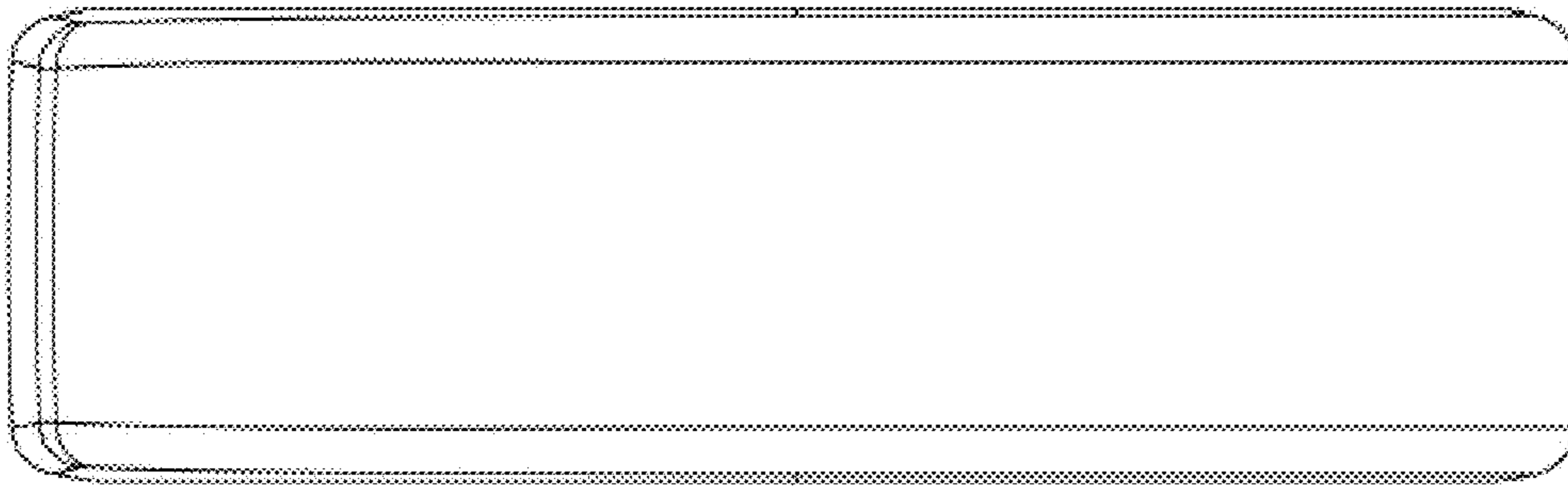


FIG. 6

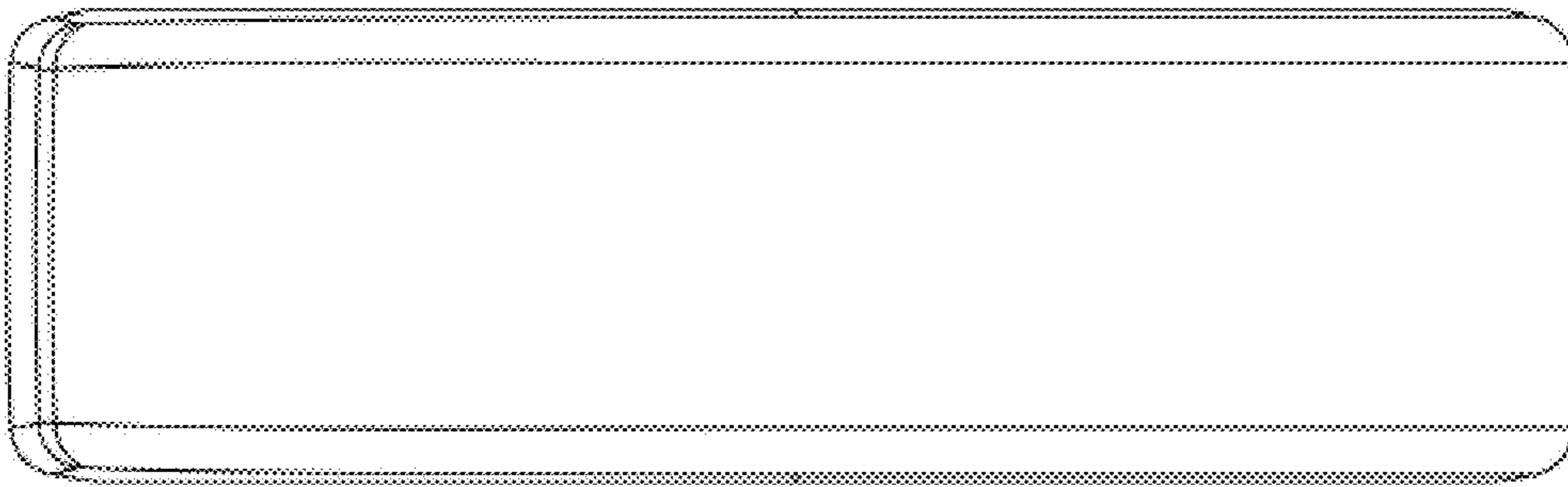


FIG. 7