



US00D951785S

(12) **United States Design Patent**  
**Turley**

(10) **Patent No.:** **US D951,785 S**

(45) **Date of Patent:** **\*\* May 17, 2022**

(54) **DOVETAIL JOINT LAYOUT TOOL**

(71) Applicant: **Woodpeckers, LLC**, Strongsville, OH (US)

(72) Inventor: **Paul E. Turley**, Amherst, OH (US)

(73) Assignee: **WOODPECKERS, LLC**, Strongsville, OH (US)

(\*\*) Term: **15 Years**

(21) Appl. No.: **29/760,934**

(22) Filed: **Dec. 4, 2020**

(51) **LOC (13) Cl.** ..... **10-04**

(52) **U.S. Cl.**  
USPC ..... **D10/65; D10/62**

(58) **Field of Classification Search**  
USPC ..... D10/61, 62, 64, 65, 70, 71; D8/14, 71  
CPC .... B27F 1/00; B27F 1/005; B27F 1/02; B27F 1/04; B27F 1/06; B27F 1/08; B27F 1/10; B27F 1/12; B27F 1/14; B27F 1/16; G01B 3/04; G01B 3/566; G01B 3/006  
See application file for complete search history.

(56) **References Cited**

**U.S. PATENT DOCUMENTS**

1,245,130	A *	10/1917	Somers	.....	G01B 5/061 33/32.2
1,324,963	A *	12/1919	Hayes	.....	B43L 7/14 D10/65
1,690,919	A *	11/1928	Baine	.....	G01B 3/1084 33/761
2,122,875	A *	7/1938	Witchger	.....	G01B 3/566 33/427
2,448,440	A *	8/1948	King	.....	G01B 3/566 D10/62
2,733,517	A *	2/1956	Gjersoe	.....	G01B 5/28 33/528
D195,356	S *	6/1963	Keszler	.....	D10/65

3,533,165	A *	10/1970	Larsen	.....	B43L 7/007 33/427
D233,695	S *	11/1974	Payne	.....	D10/65
4,200,984	A *	5/1980	Fink	.....	G01B 3/56 33/427
D276,316	S *	11/1984	Weeks	.....	D10/62
2012/0017486	A1*	1/2012	Jones	.....	G01B 3/10 42/120
2014/0290080	A1*	10/2014	Buzzell	.....	G01B 3/566 33/469
2019/0225009	A1*	7/2019	Hummel	.....	B43L 7/02

(Continued)

*Primary Examiner* — Philip S Hyder

(74) *Attorney, Agent, or Firm* — Sand, Sebolt & Wernow Co., LPA

(57) **CLAIM**

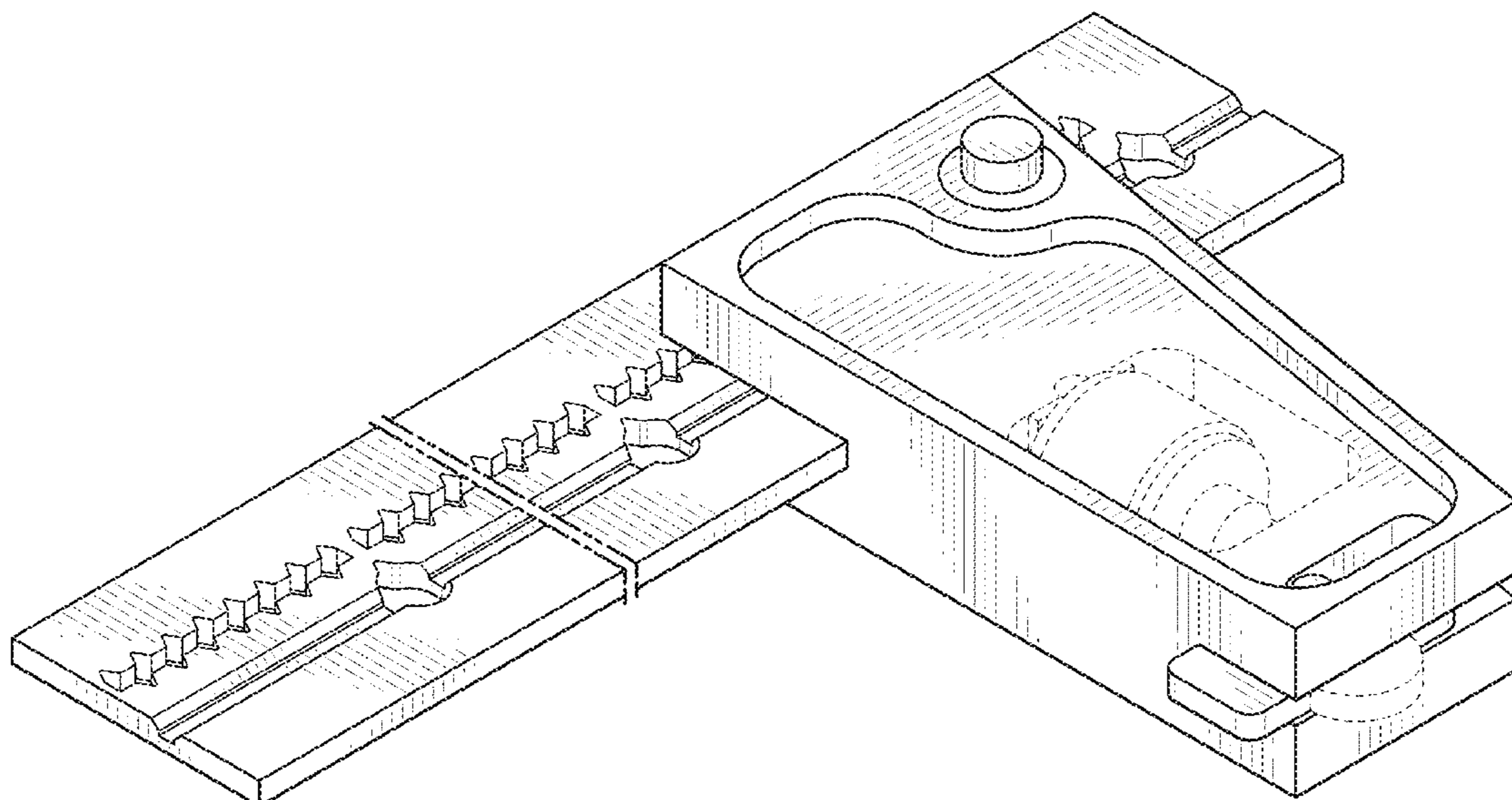
The ornamental design for a dovetail joint layout tool, as shown and described.

**DESCRIPTION**

FIG. 1 is a front, top, right side isometric perspective view of a dovetail joint layout tool in accordance with our design; FIG. 2 is a front elevation view thereof; FIG. 3 is a rear elevation view thereof; FIG. 4 is a right side elevation view thereof; FIG. 5 is a left side elevation view thereof; FIG. 6 is a top plan view thereof; FIG. 7 is a bottom plan view thereof; FIG. 8 is a cross section view taken along and looking in the direction of line 8-8 of FIG. 6; and, FIG. 9 is a cross section view taken along and looking in the direction of line 9-9 of FIG. 6.

The broken lines illustrate portions of the dovetail joint layout tool which form no part of the claimed design. The claimed design is shown with a symbolic break in its length. The appearance of any portion of the article between the break lines forms no part of the claimed design.

**1 Claim, 6 Drawing Sheets**



(56)

**References Cited**

U.S. PATENT DOCUMENTS

2021/0325161 A1\* 10/2021 Turley ..... G01B 3/566  
2021/0325163 A1\* 10/2021 Turley ..... G01B 3/04

\* cited by examiner

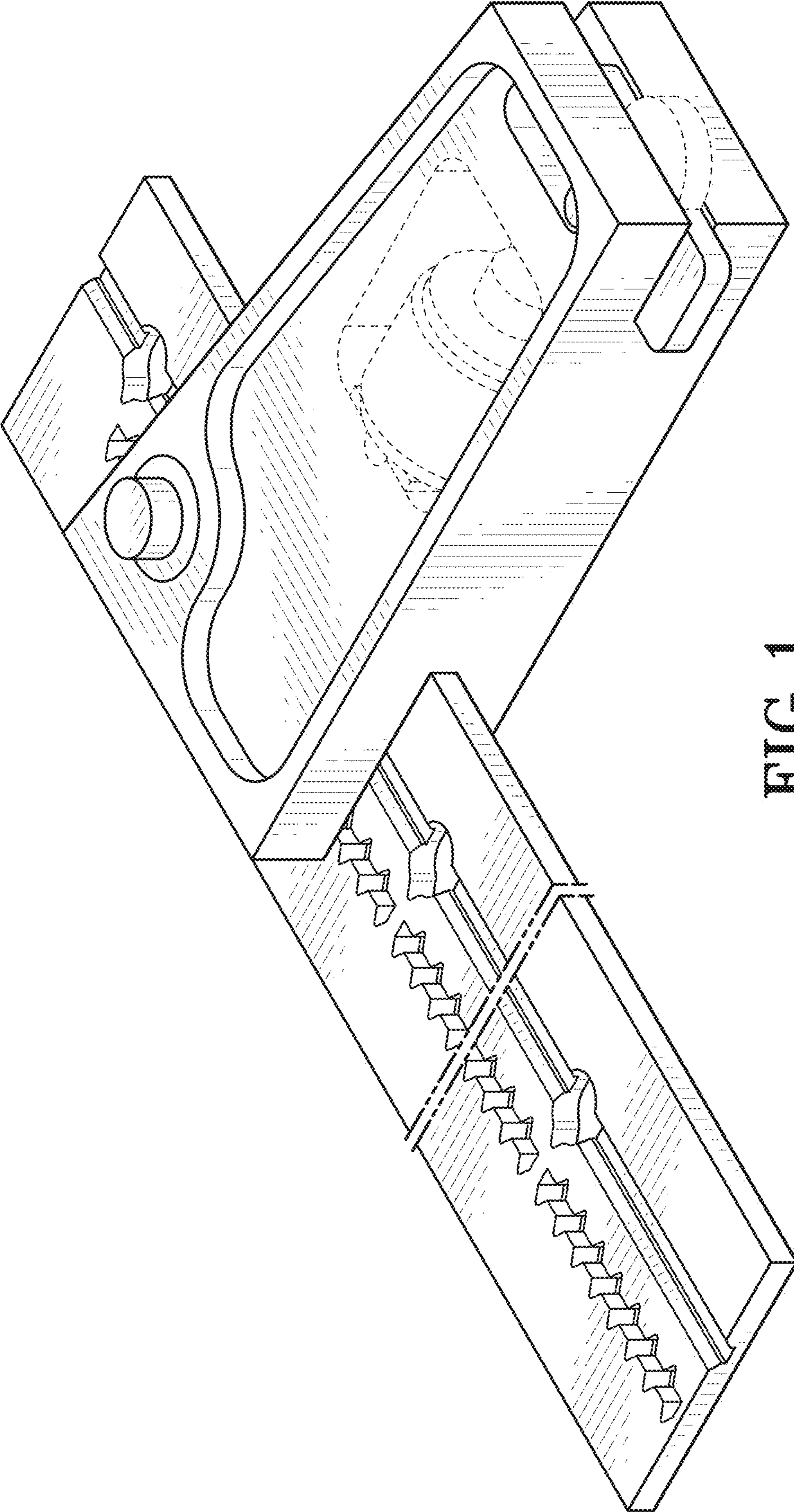


FIG. 1

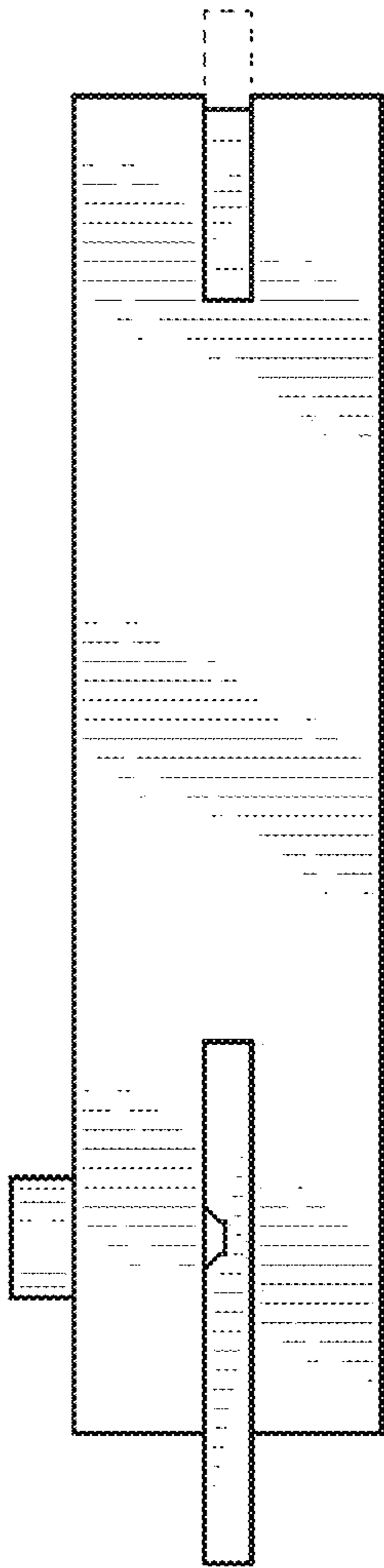


FIG. 2

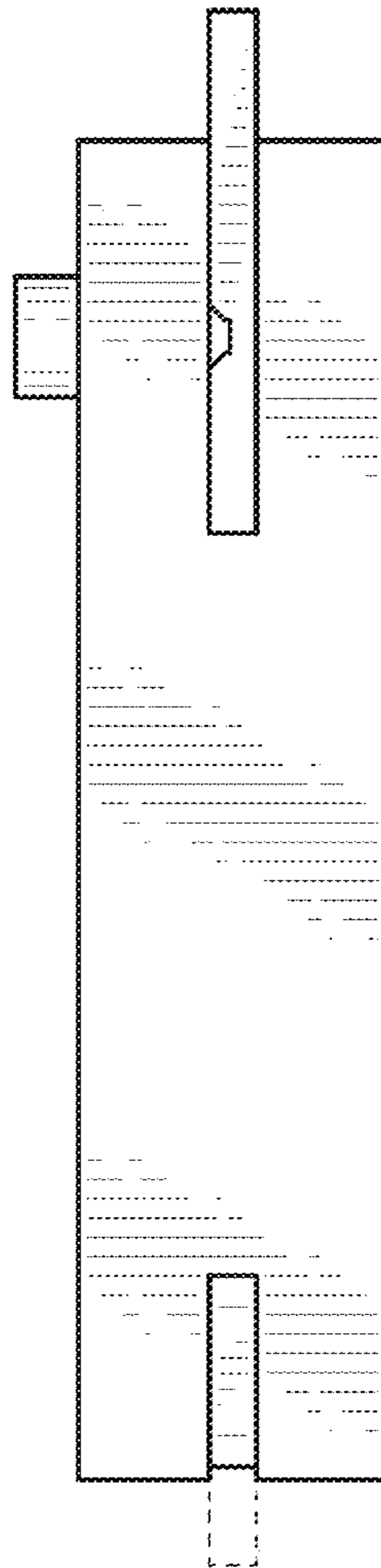


FIG. 3

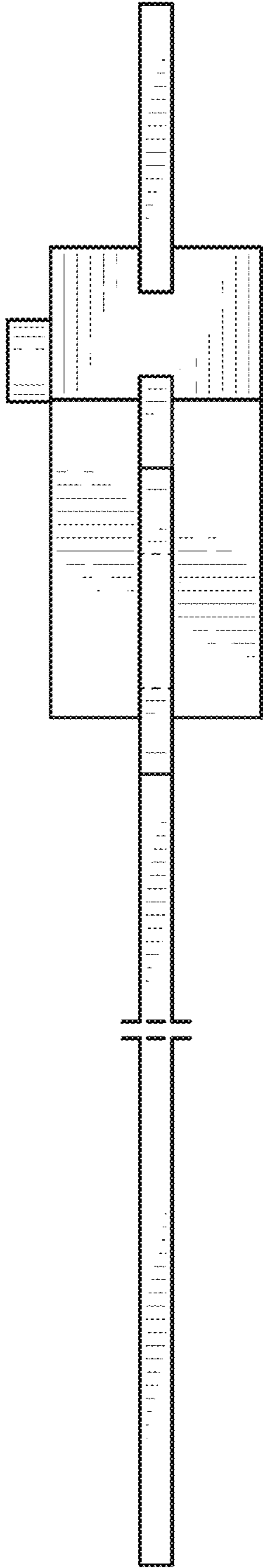


FIG. 4

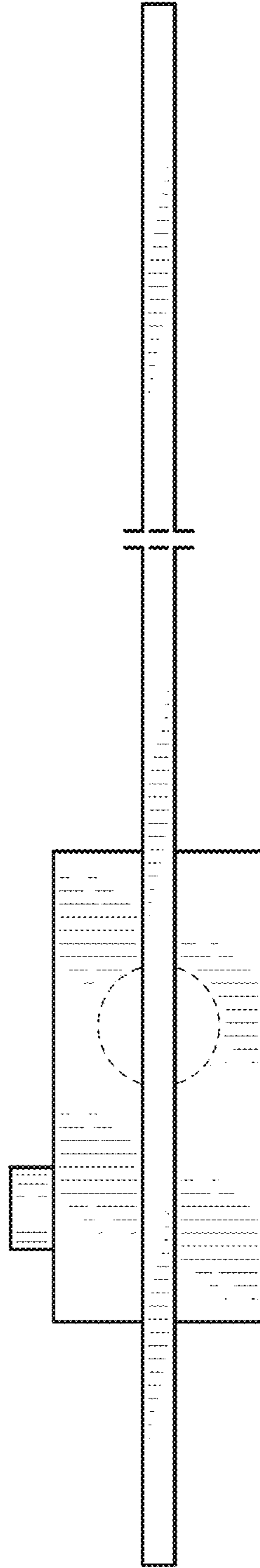


FIG. 5

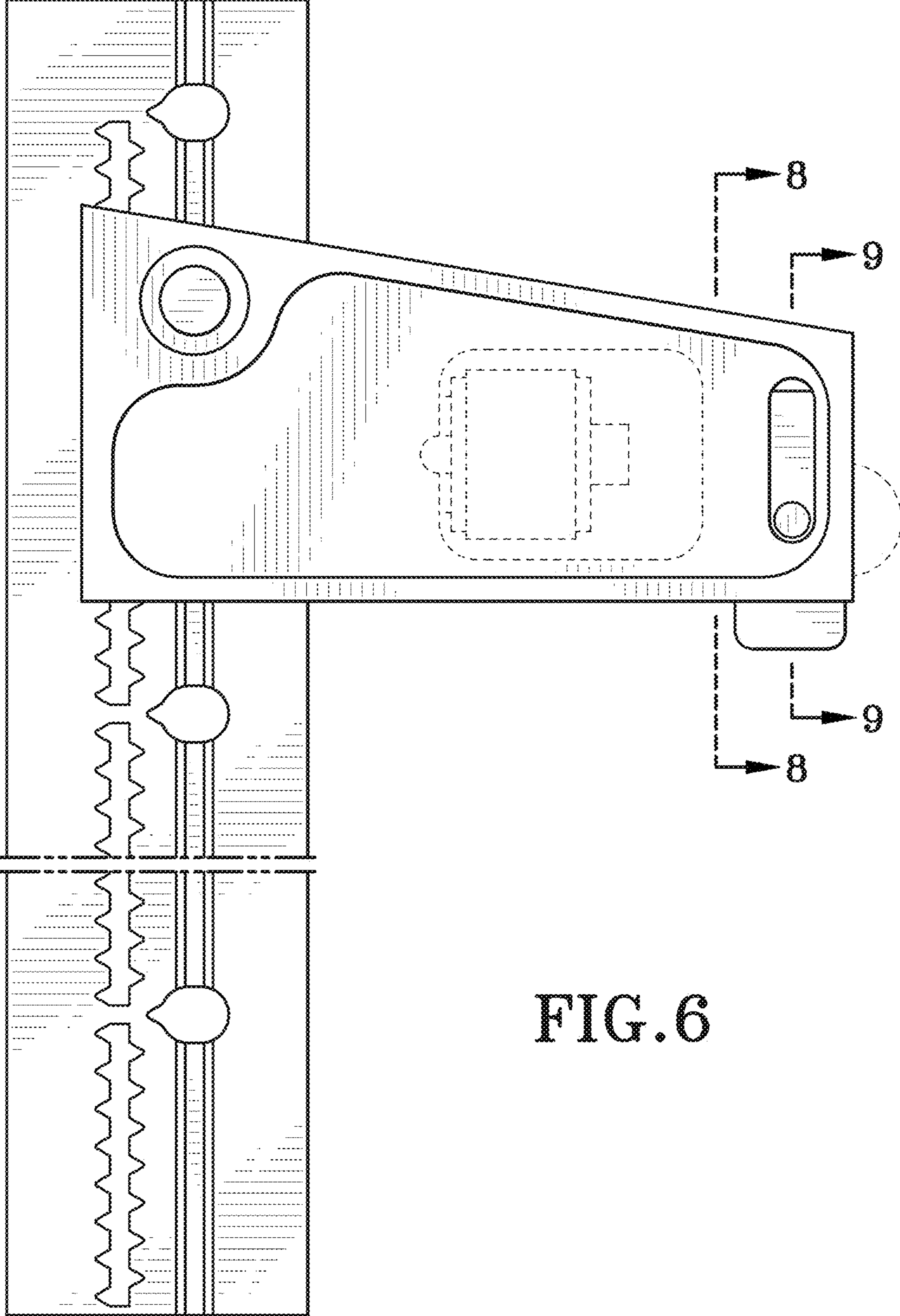


FIG. 6

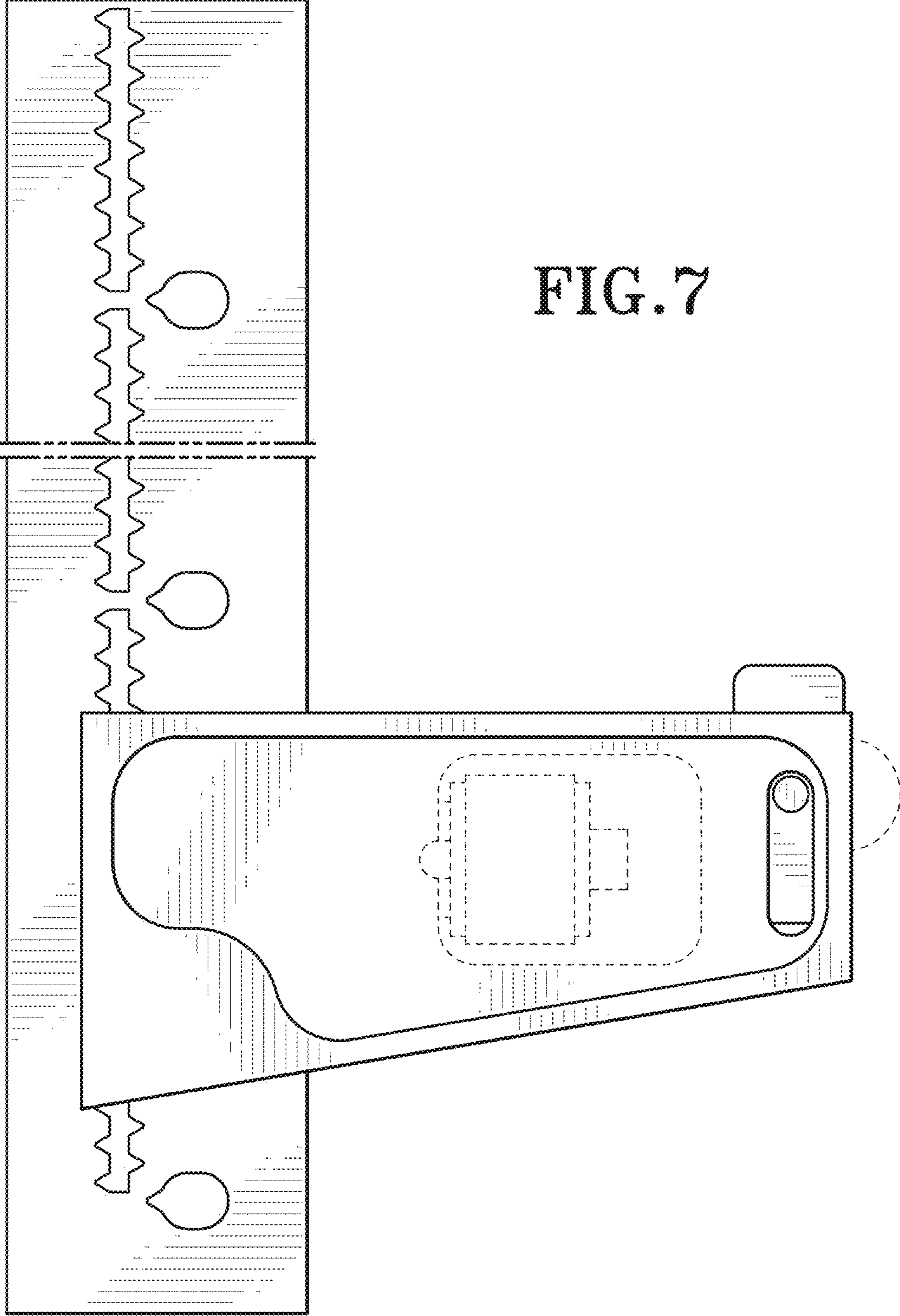


FIG. 7

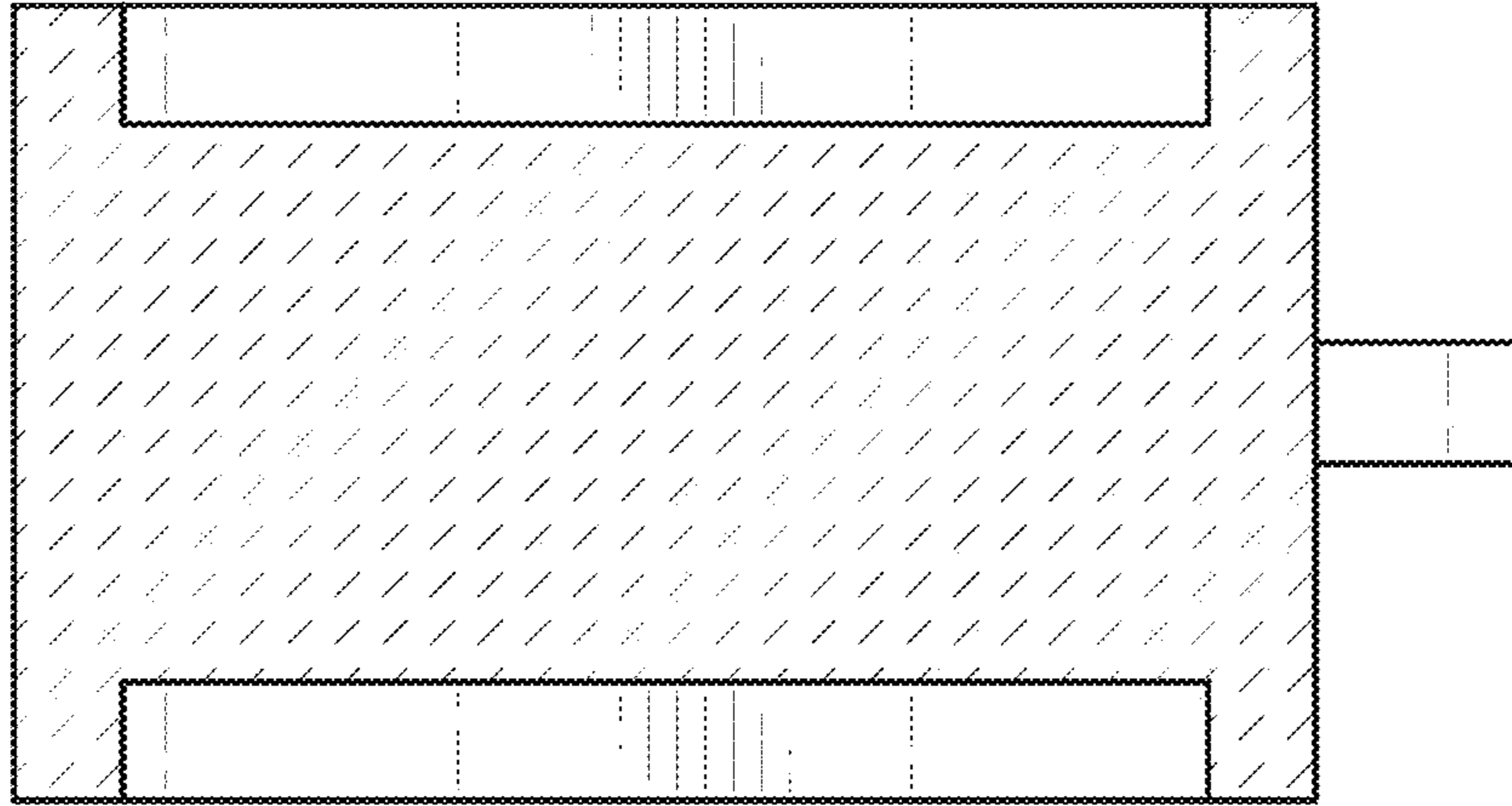


FIG. 8

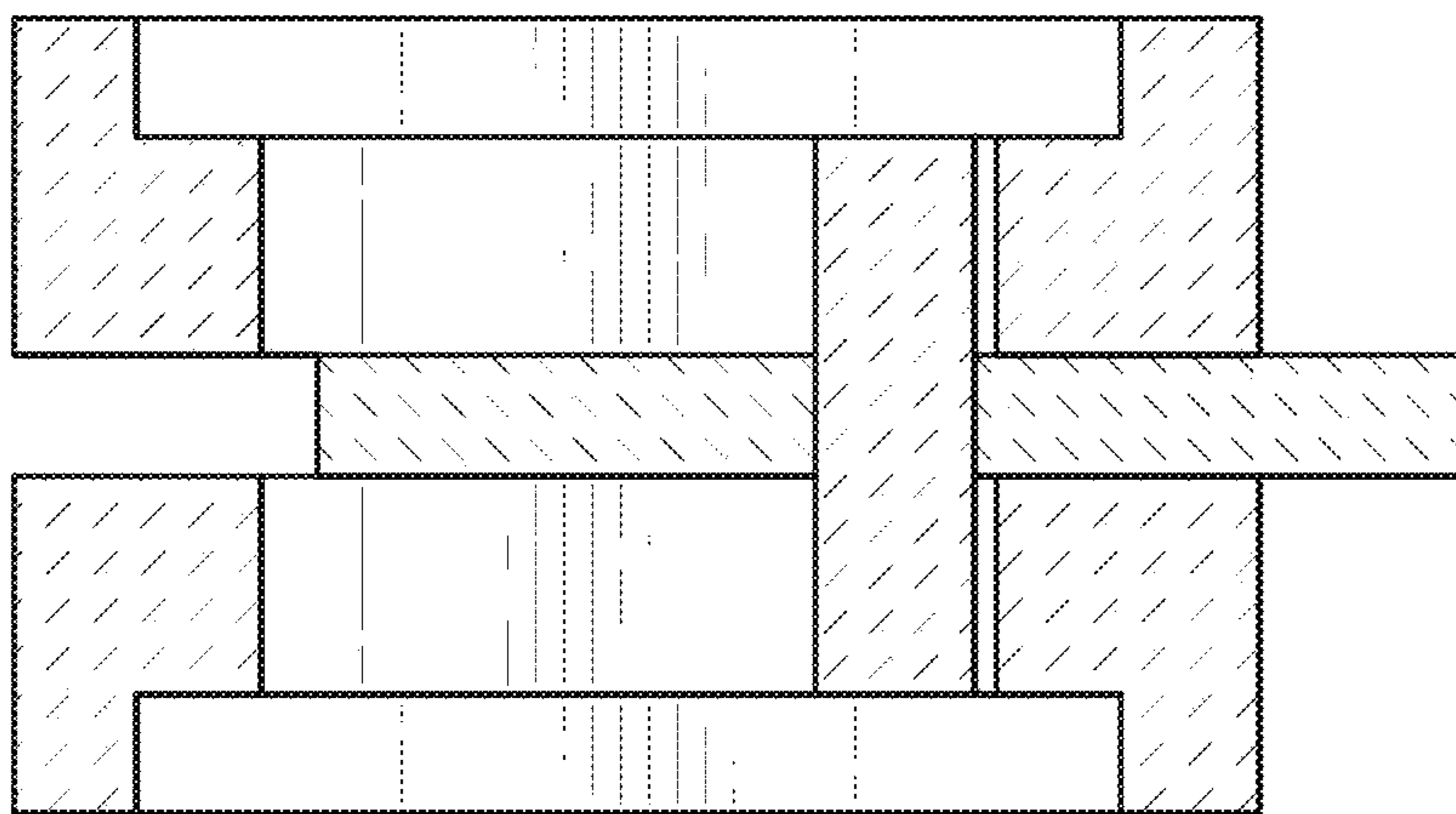


FIG. 9