



US00D951784S

(12) **United States Design Patent**
Turk

(10) **Patent No.:** **US D951,784 S**

(45) **Date of Patent:** **** May 17, 2022**

(54) **FLOOR HEIGHT GAUGE**

(71) Applicant: **Brandon Turk**, Deerwood, MN (US)

(72) Inventor: **Brandon Turk**, Deerwood, MN (US)

(**) Term: **15 Years**

(21) Appl. No.: **29/702,148**

(22) Filed: **Aug. 16, 2019**

(51) **LOC (13) Cl.** **10-04**

(52) **U.S. Cl.**
USPC **D10/65; D8/354**

(58) **Field of Classification Search**
USPC D8/349, 354, 373–381, 382–399;
411/172, 174, 175, 179, 184, 190, 205,
411/222, 330, 326, 427, 429, 432, 533,
411/910, 978; D10/65, 70, 74; D21/487;
D23/266; D25/43, 126
CPC . F16L 3/00; Y10T 403/51; G01B 3/30; G01B
3/34; E04G 21/10; B23K 3/06; A47G
23/0241
See application file for complete search history.

5,755,418 A * 5/1998 Kracke A47G 23/0241
211/74
6,109,581 A * 8/2000 Kracke A47G 23/0241
211/74
D450,236 S * 11/2001 Shinjo D8/397
D451,374 S * 12/2001 Shinjo D8/397
D452,428 S * 12/2001 Shinjo D8/397
6,953,304 B2 10/2005 Quenzi et al.
7,121,762 B2 10/2006 Quenzi et al.
7,491,011 B2 2/2009 Quenzi et al.
D594,735 S * 6/2009 Hofer D8/349
7,568,864 B2 * 8/2009 Sjoo B23B 27/04
407/11
7,909,533 B2 3/2011 Quenzi et al.
9,658,058 B1 5/2017 Jones
D808,248 S * 1/2018 Krombein D8/354
D837,041 S * 1/2019 Barnes D8/382
D906,798 S * 1/2021 Moriya D8/396

(Continued)

Primary Examiner — Antoine Duval Davis
(74) *Attorney, Agent, or Firm* — Antonio Papageorgiou,
Esq.; Lombard Geliebter LLP

(57) **CLAIM**

The ornamental design for floor height gauge, as shown and described.

DESCRIPTION

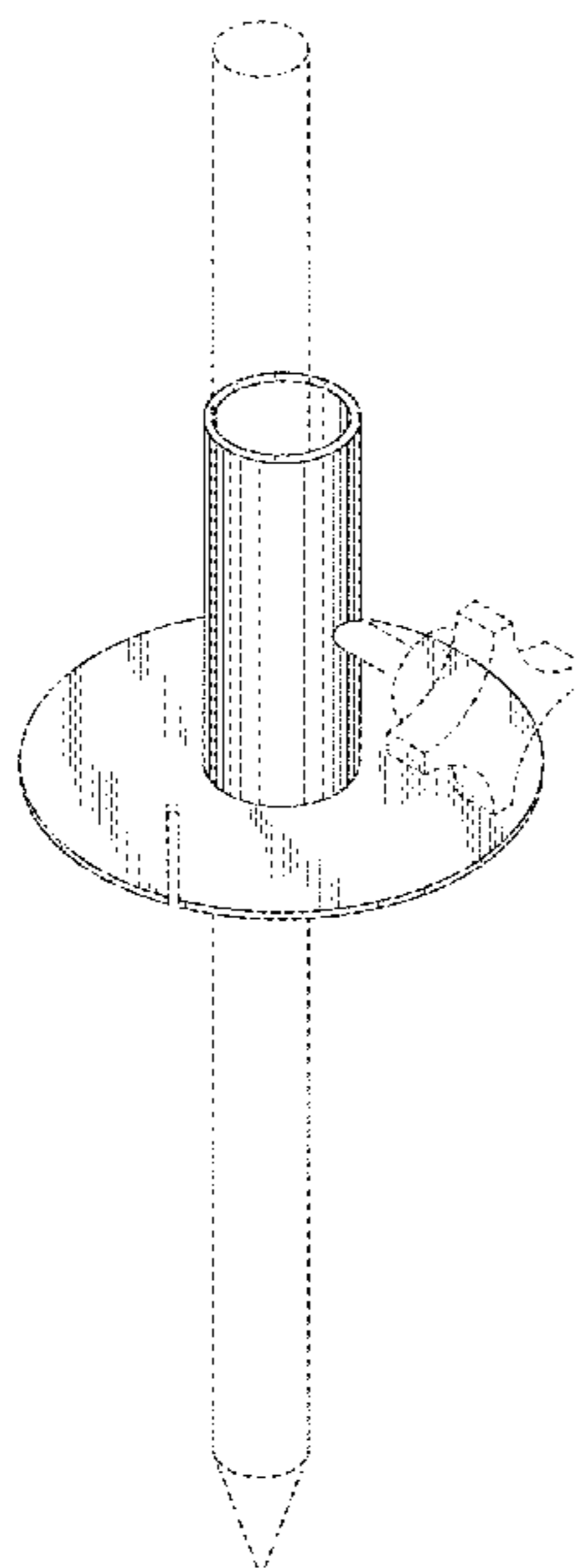
FIG. 1 is a perspective view of the front and the top of the floor height gauge according to my new design;
FIG. 2 is a perspective view of the front and the bottom thereof;
FIG. 3 is a front view thereof;
FIG. 4 is a back view thereof;
FIG. 5 is a left side view thereof;
FIG. 6 is a right side view thereof;
FIG. 7 is a top view thereof; and,
FIG. 8 is a bottom view thereof.
The dashed lines shown in the drawings illustrate environmental structure and form no part of the claimed design.

1 Claim, 8 Drawing Sheets

(56) **References Cited**

U.S. PATENT DOCUMENTS

627,280 A * 6/1899 Stiles
2,816,364 A * 12/1957 Fairfield G01B 3/30
33/544
D209,273 S * 11/1967 Steinwedel D8/374
3,482,809 A * 12/1969 McCall, Jr. F16L 3/00
248/205.1
4,385,447 A * 5/1983 Bennett G01B 3/34
33/501
5,138,867 A * 8/1992 Nish G01F 25/0061
73/1.74
5,350,105 A * 9/1994 Delalle B23K 3/06
228/56.3
D376,713 S * 12/1996 Kelso D6/709.18



(56)

References Cited

U.S. PATENT DOCUMENTS

2015/0275505 A1* 10/2015 Thompson E04B 1/4121
52/699
2018/0051972 A1* 2/2018 Park G01B 5/012

* cited by examiner

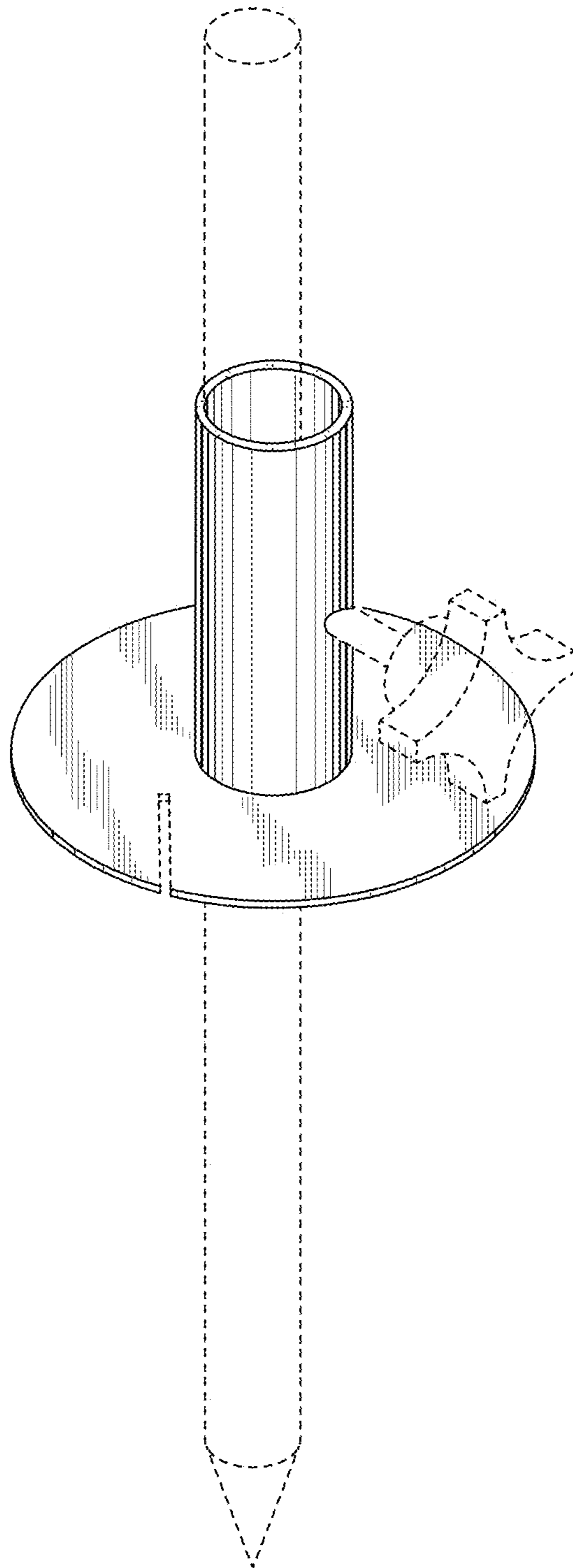


FIG. 1

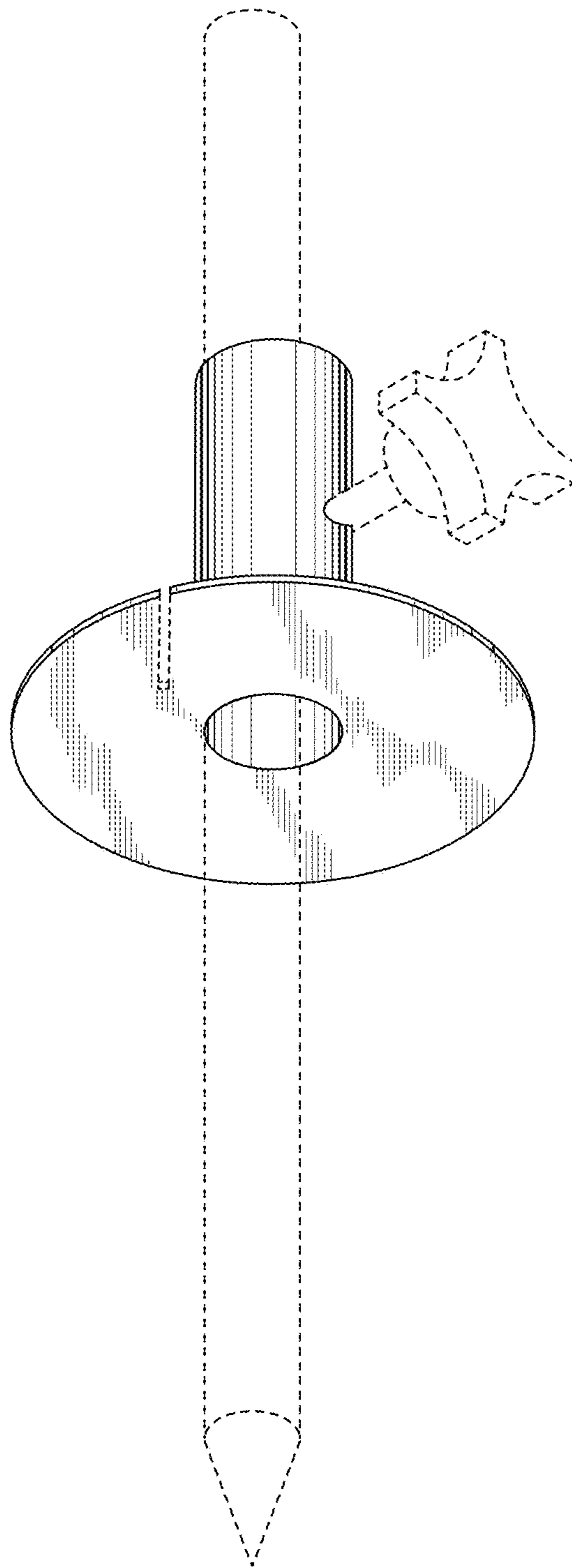


FIG. 2

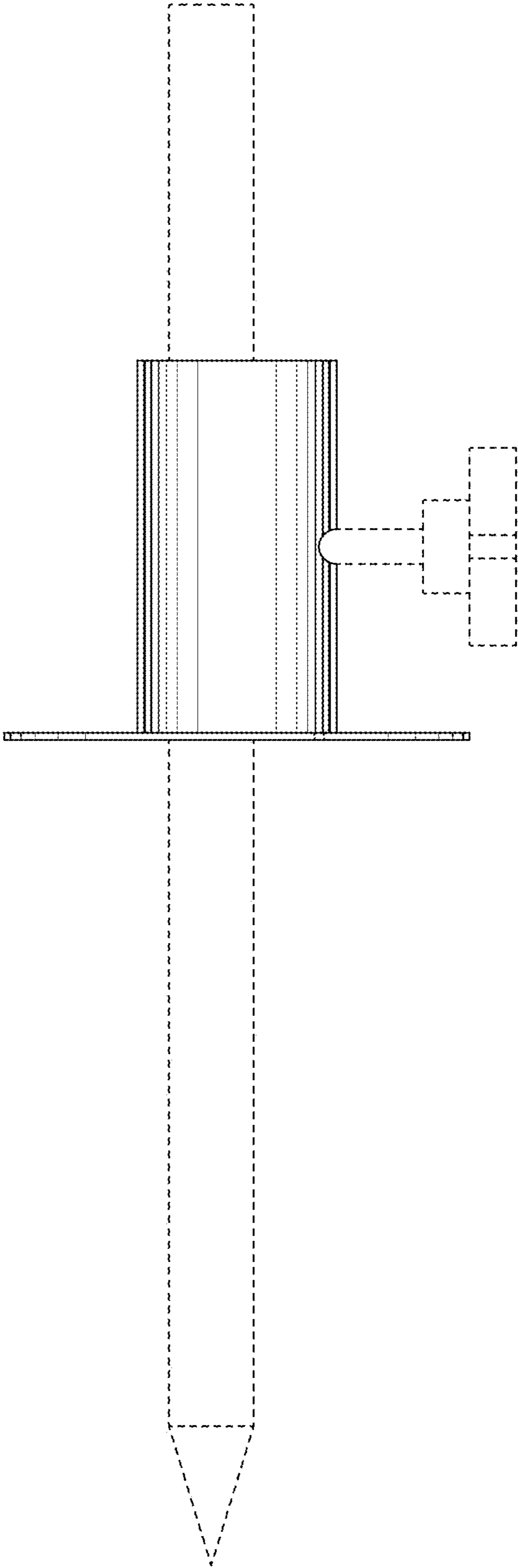


FIG. 3

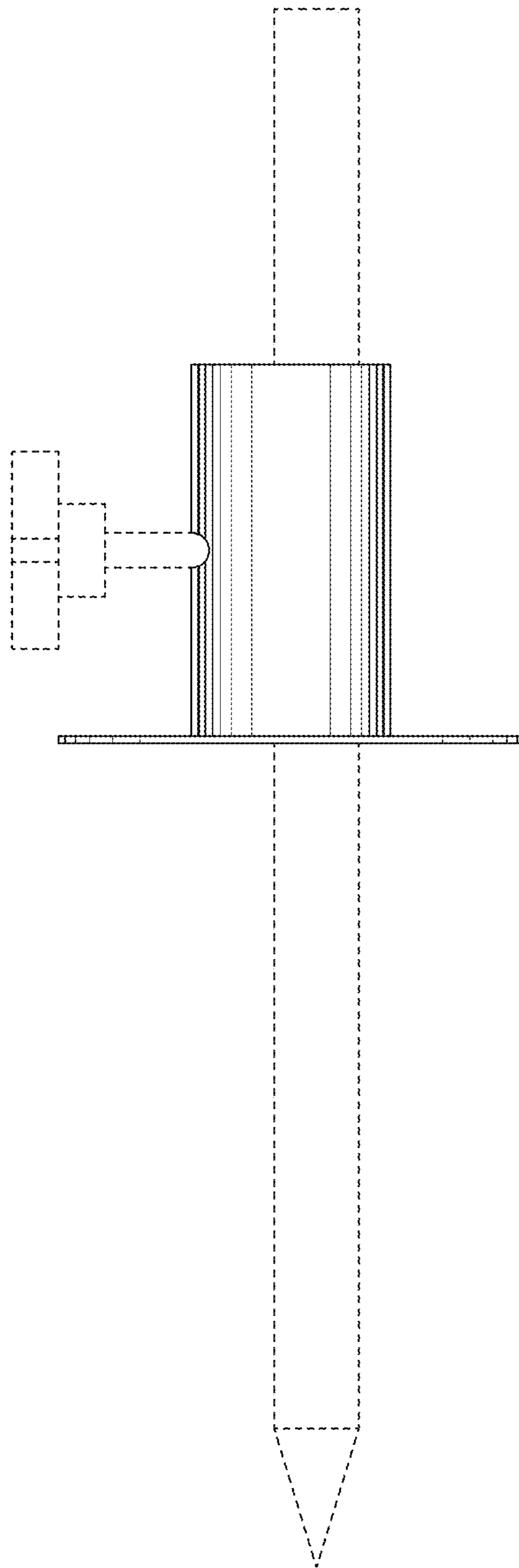


FIG. 4

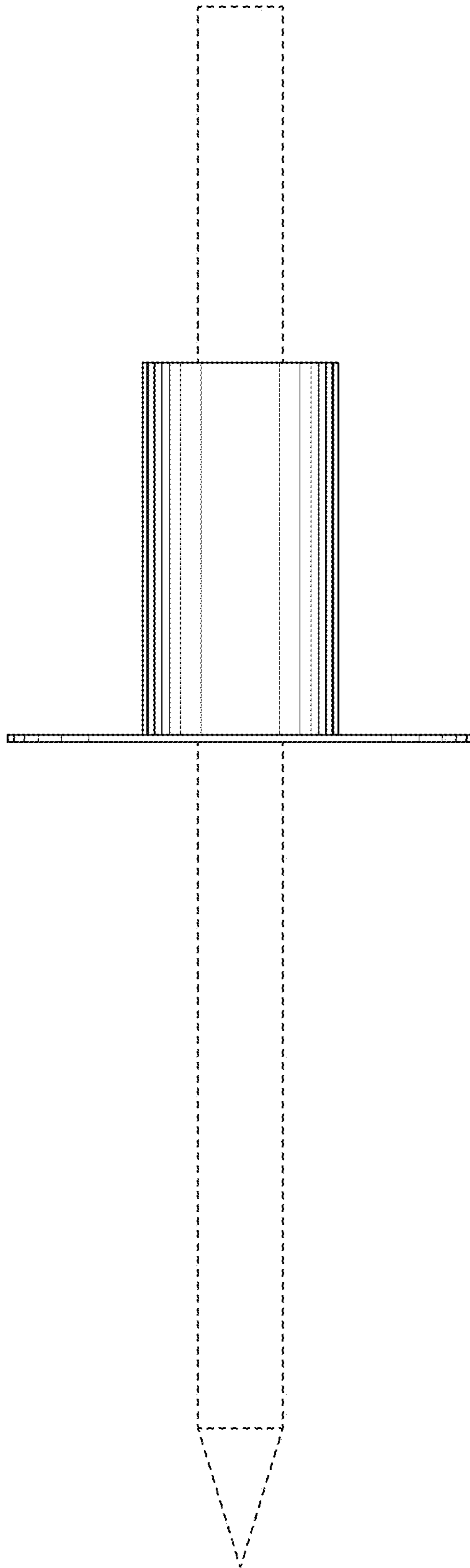


FIG. 5

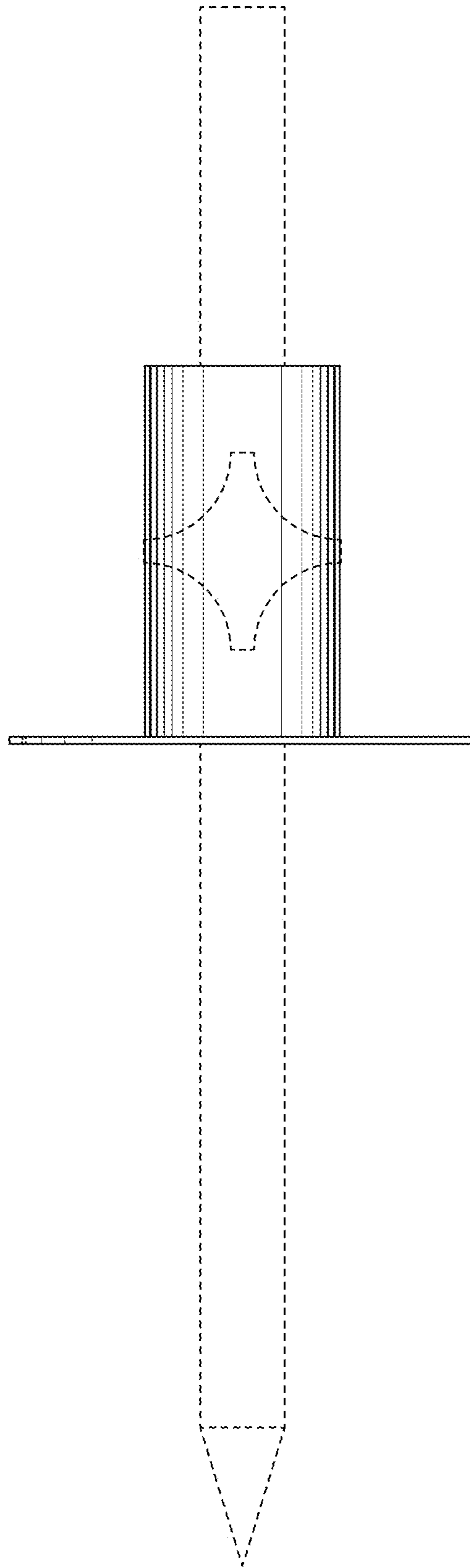


FIG. 6

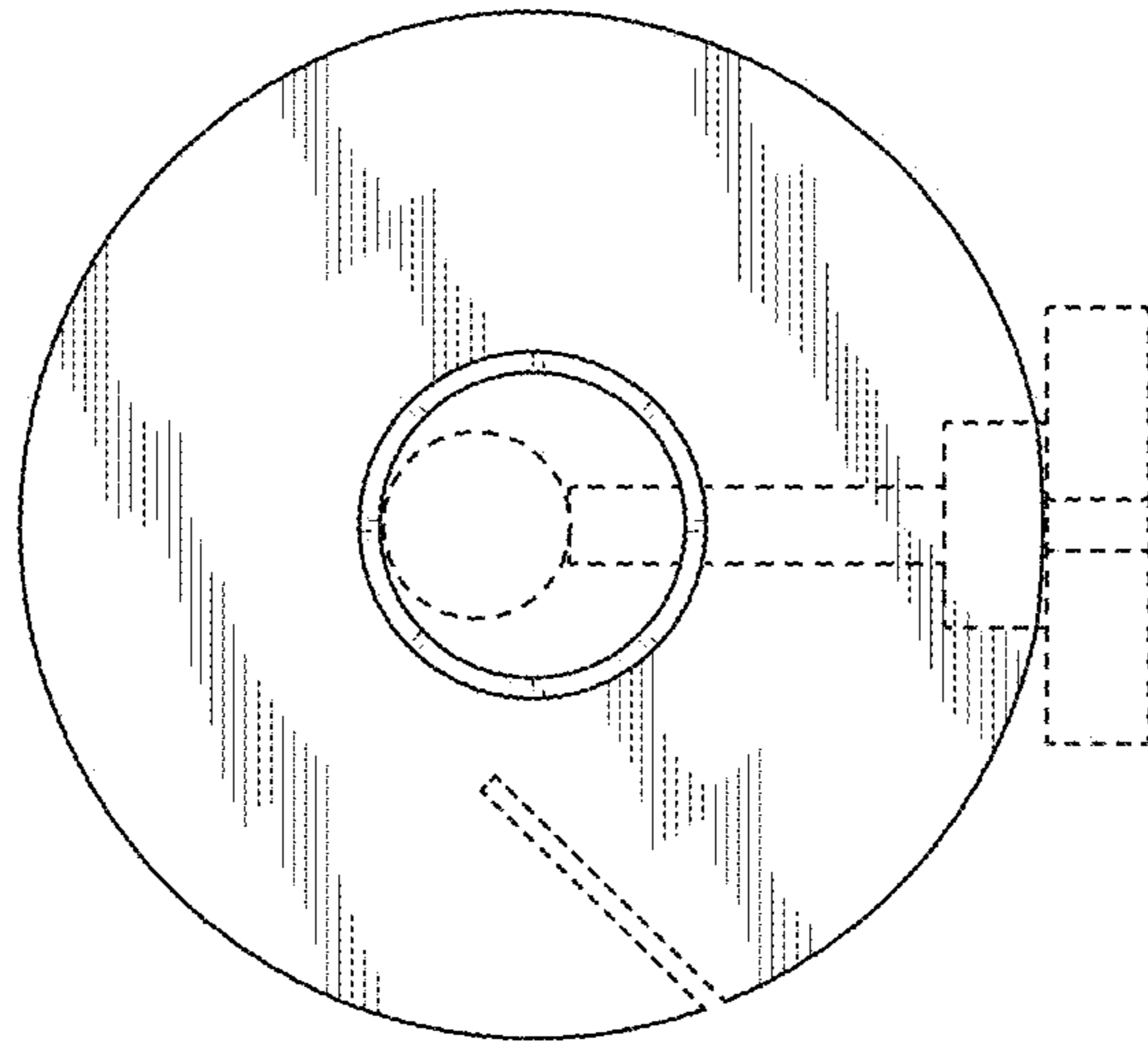


FIG. 7

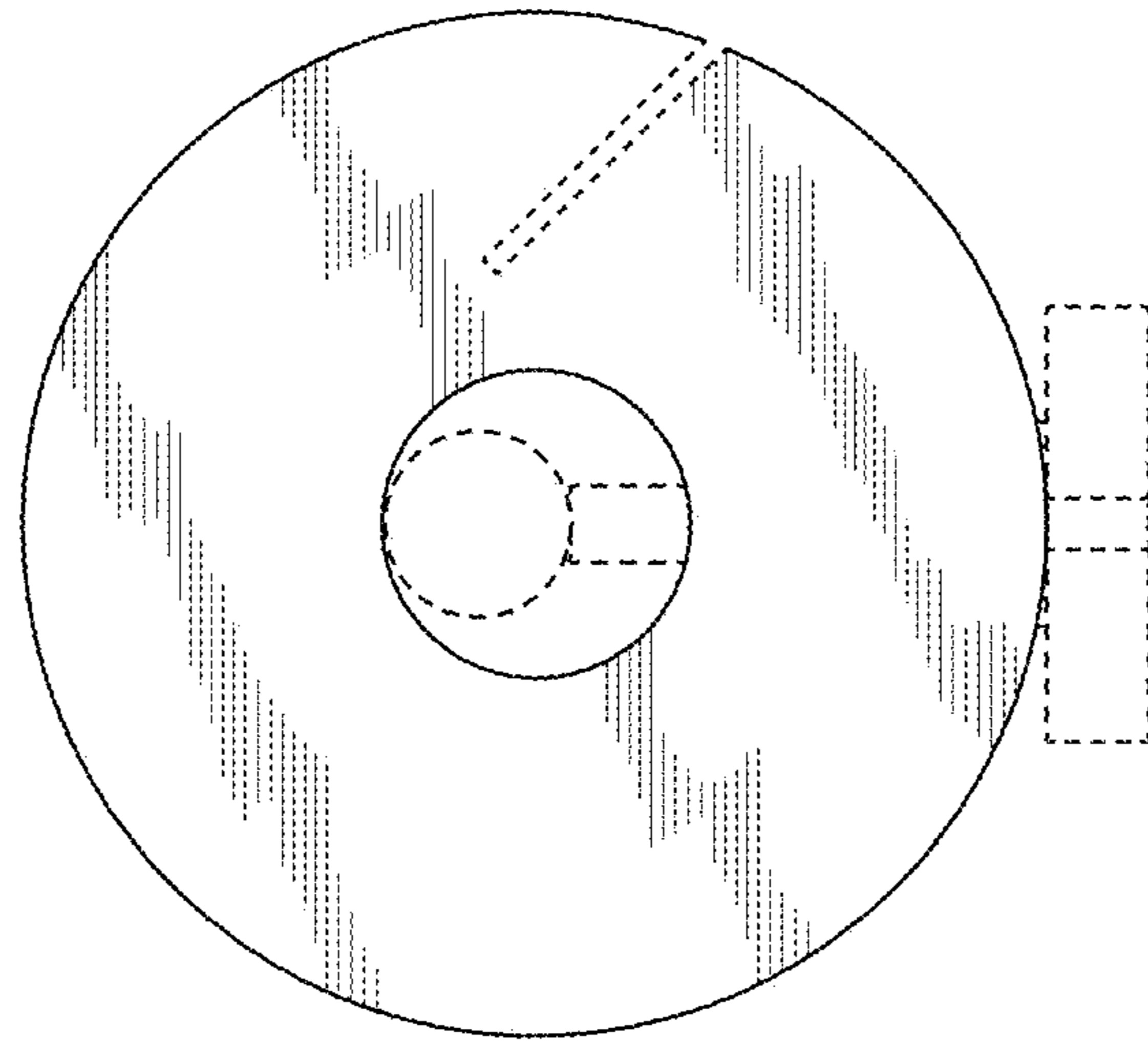


FIG. 8