



US00D951781S

(12) **United States Design Patent**
Ribeiro et al.

(10) **Patent No.:** **US D951,781 S**

(45) **Date of Patent:** **** May 17, 2022**

(54) **AIR QUALITY SENSOR**

(71) Applicant: **Ubicquia LLC**, Melbourne, FL (US)

(72) Inventors: **Claudio Santiago Ribeiro**, Melbourne, FL (US); **Cesar Eduardo Nuñez**, Melbourne, FL (US)

(73) Assignee: **Ubicquia, Inc.**, Fort Lauderdale, FL (US)

(**) Term: **15 Years**

(21) Appl. No.: **29/729,542**

(22) Filed: **Mar. 27, 2020**

(51) **LOC (13) Cl.** **10-04**

(52) **U.S. Cl.**
USPC **D10/53**

(58) **Field of Classification Search**
USPC D10/104.1, 106.1, 106.95, 105, 111, 112,
D10/106.2, 106.3, 106.4, 49-56, 81, 103;
D23/351, 364

(Continued)

(56) **References Cited**

U.S. PATENT DOCUMENTS

D597,866 S * 8/2009 Bernard D10/52
D667,740 S * 9/2012 Leung D10/50

(Continued)

FOREIGN PATENT DOCUMENTS

CN 304097000 * 6/2016
CN 304833781 * 4/2018

(Continued)

OTHER PUBLICATIONS

Elizabeth Heath, 8 Best Air Quality Monitors for 2021, Date first available Jan. 27, 2021, [online]retrieved Oct. 13, 2021,available

from <https://www.familyhandyman.com/list/best-air-quality-monitors/> (Year: 2021).*

(Continued)

Primary Examiner — Keli L Hill

Assistant Examiner — Sara S Sahneh

(74) *Attorney, Agent, or Firm* — Daniel C. Crilly

(57) **CLAIM**

The ornamental design for an air quality sensor, as shown and described.

DESCRIPTION

FIG. 1 is a side view of an air quality sensor in an exemplary position of use as installed on a streetlight pole.

FIG. 2 is a top front perspective view of an air quality sensor showing a first embodiment of our new design.

FIG. 3 is a bottom rear perspective view thereof.

FIG. 4 is a front elevational view thereof.

FIG. 5 is a left side elevational view thereof.

FIG. 6 is a right side elevational view thereof.

FIG. 7 is a rear elevational view thereof.

FIG. 8 is a top plan view thereof.

FIG. 9 is a bottom plan view thereof.

FIG. 10 is a top front perspective view of an air quality sensor showing a second embodiment of our new design.

FIG. 11 is a bottom rear perspective view thereof.

FIG. 12 is a front elevational view thereof.

FIG. 13 is a left side elevational view thereof.

FIG. 14 is a right side elevational view thereof.

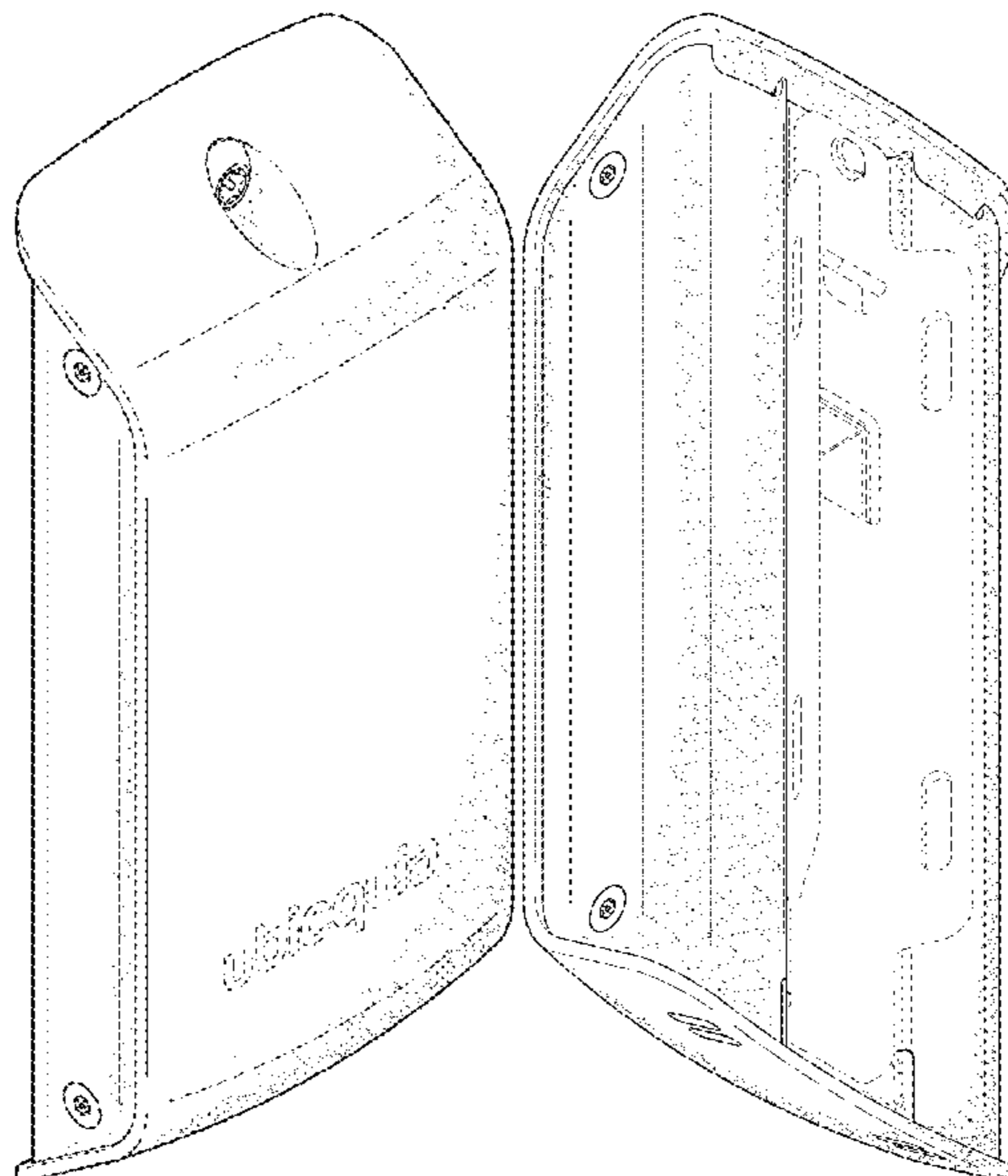
FIG. 15 is a rear elevational view thereof.

FIG. 16 is a top plan view thereof; and,

FIG. 17 is a bottom plan view thereof.

The structures and features shown in broken lines in FIGS. 1-17 form no part of the claimed design. Stippling shown in the drawings is intended to represent approximate three-dimensional contours of the design and is not intended to indicate surface decoration.

1 Claim, 15 Drawing Sheets



(58) **Field of Classification Search**

CPC B01D 46/0086; B01D 46/42; B01D 2279/50; B01D 46/00; B01D 46/44; F24F 3/16; F24F 2110/40; F24F 11/523; F24F 11/49; F24F 2110/10; F24F 11/88; B60H 1/00364; B60H 1/00771; B60H 1/00964; G01N 15/0227; G01N 15/06; G01N 2015/0046; G01N 2015/144; G01N 2015/1488; G01N 15/0255; G01N 15/1434; G01N 2015/0233; G01N 2015/1454; G01N 2015/1493; G01N 2001/2276; G01N 2001/2279; G01N 7/00; G01N 7/02; G01N 7/04; G01N 7/06; G01N 7/08; G01N 7/10; G01N 7/12; G01N 7/16; G01N 7/18; G01N 7/20
 See application file for complete search history.

(56) **References Cited**

U.S. PATENT DOCUMENTS

D716,674 S * 11/2014 Herzl D10/53
 D741,204 S * 10/2015 Chen D10/52
 D752,013 S * 3/2016 Benedetti D14/204
 D803,074 S * 11/2017 Dingjian D10/60
 D824,787 S * 8/2018 Mammet D10/52

D858,317 S * 9/2019 Hu D10/53
 D867,916 S * 11/2019 Tatic D10/106.95
 D876,249 S * 2/2020 Bee D10/53
 D894,022 S * 8/2020 Guillien D10/52
 D903,609 S * 12/2020 Chretien D13/162
 2019/0242607 A1* 8/2019 Peng F24F 11/52

FOREIGN PATENT DOCUMENTS

CN 305773346 * 11/2019
 CN 306594747 * 9/2020
 IN 313658-001-0001 * 1/2019
 IN 318750-001-0001 * 6/2019
 WO D206917-001 * 2/2020

OTHER PUBLICATIONS

Adam Frost,EarthSense air quality sensors help divert traffic from pollution hotspots in Coventry, Date first available Jul. 23, 2019, [online]retrieved Oct. 13, 2021,available from <https://www.trafficechnologytoday.com/news/congestion-reduction/earthsense-air-quality-sensors-help-divert-traffic-from-poll> (Year: 2019).*
 Sentry Protection Products ,Collision Sentry Corner Pro,Date first available Nov. 15, 2019, [online]retrieved Oct. 13, 2021,available from https://www.sentrypro.com/support_files/Collision-Sentry-Corner-Pro_Brochure.pdf (Year: 2019).*

* cited by examiner

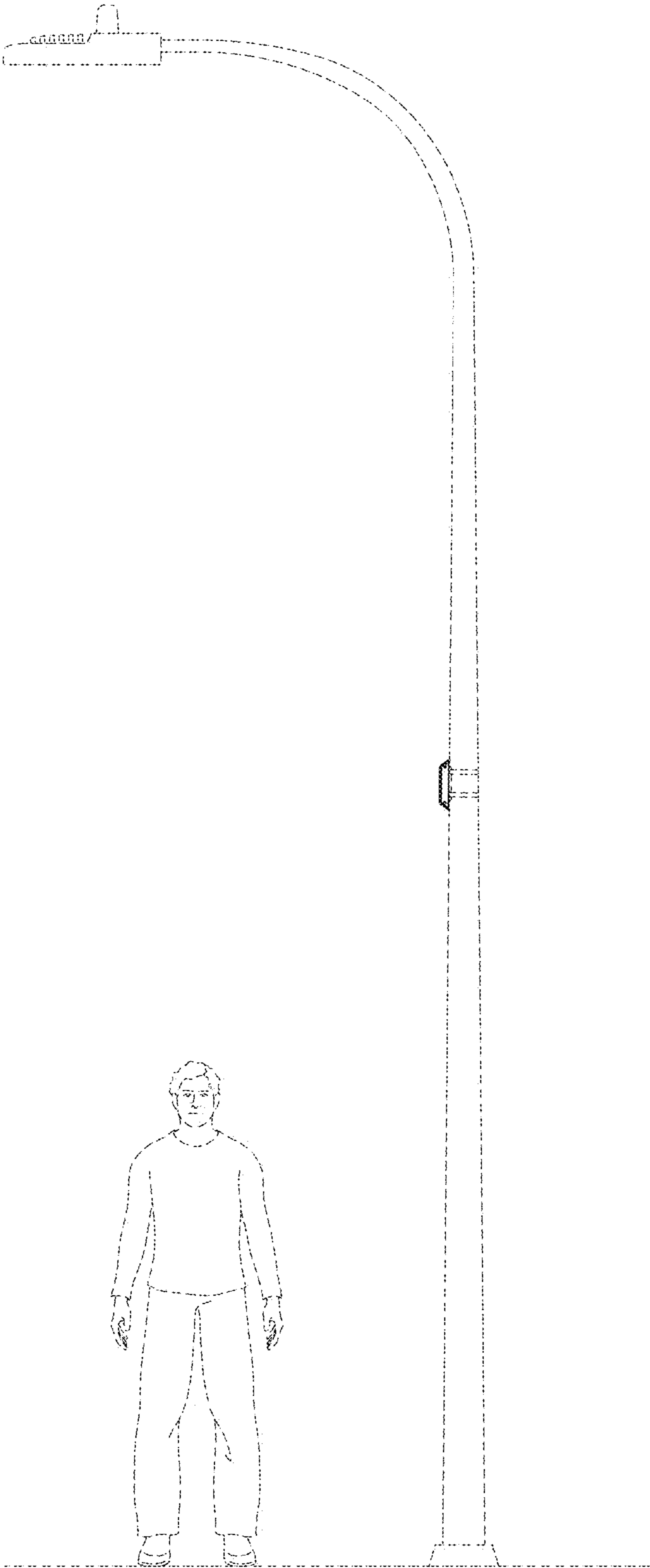


Fig. 1

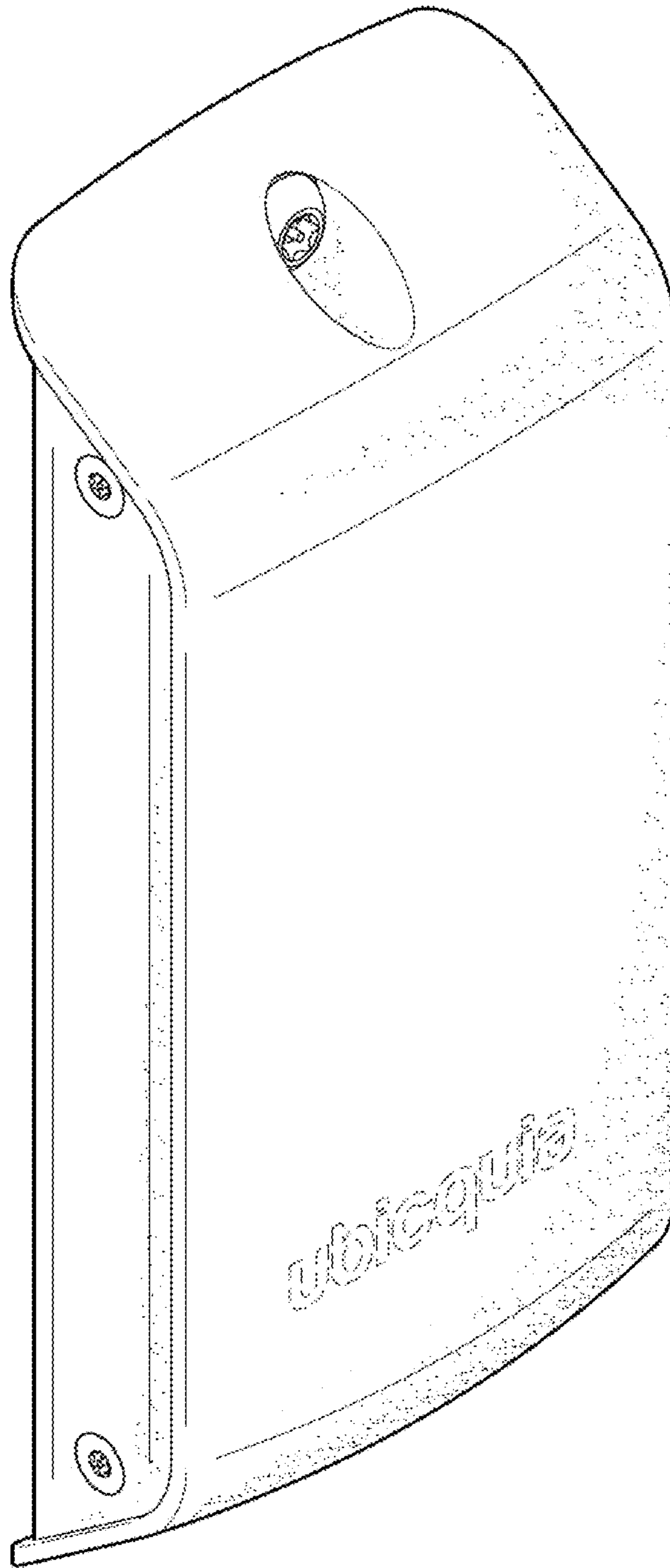


Fig. 2

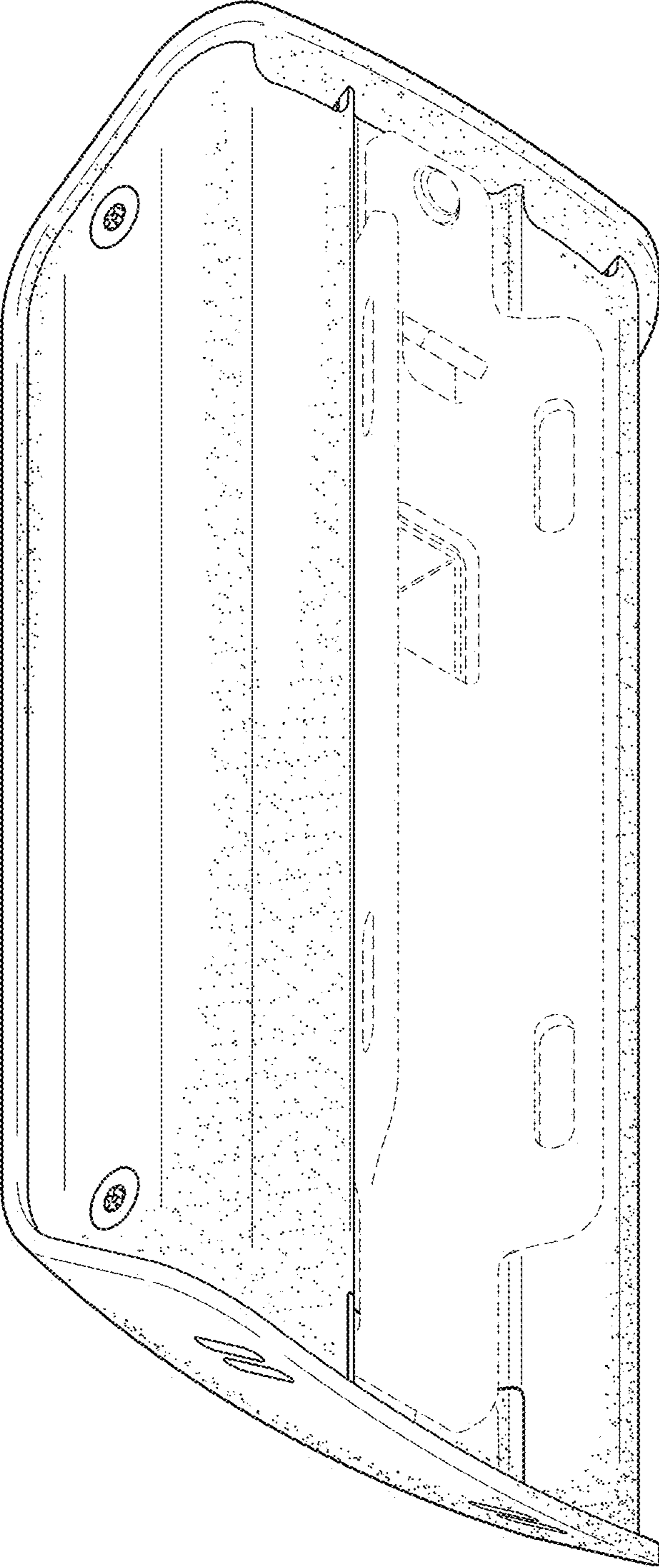


Fig. 3



Fig. 4

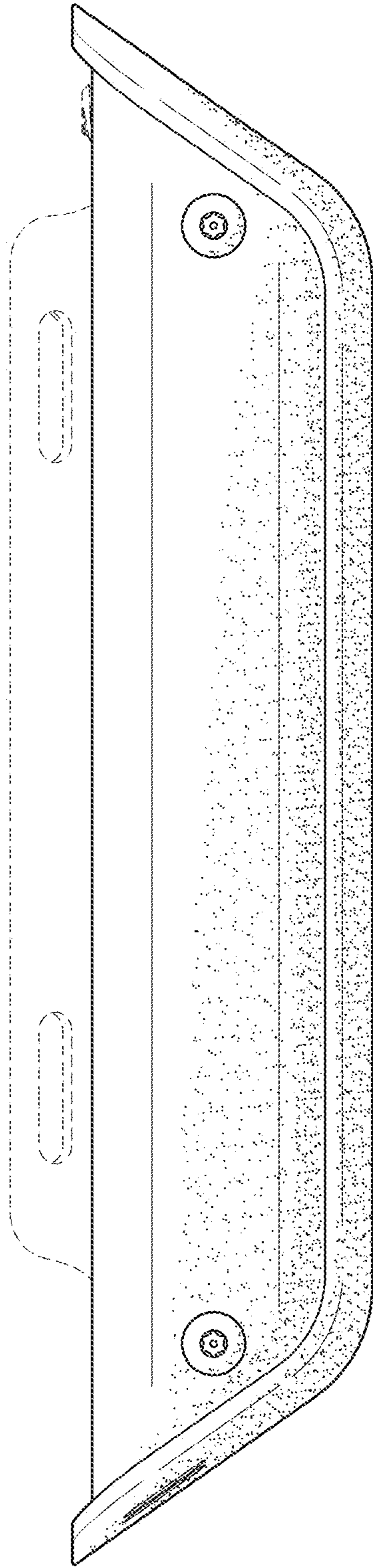


Fig. 5

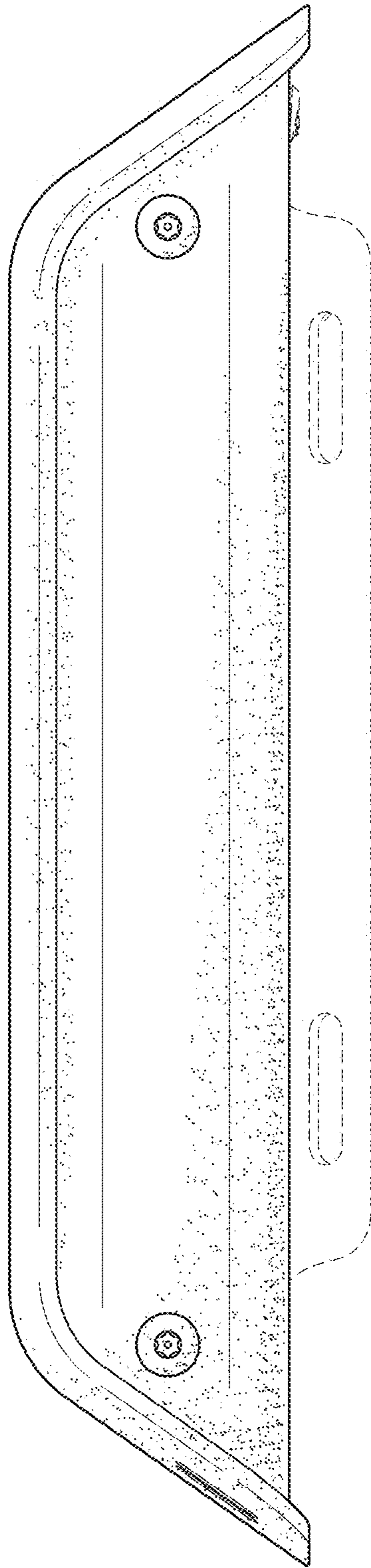


Fig. 6

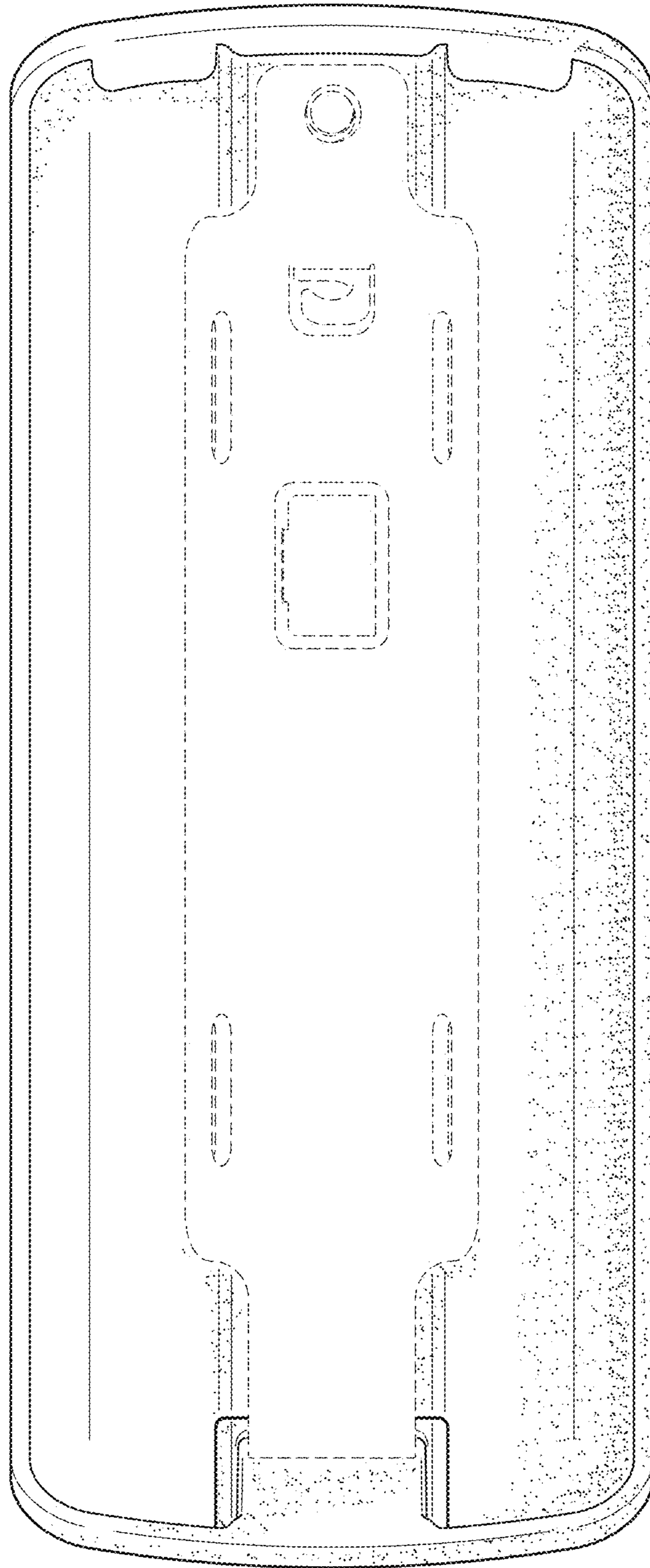


Fig. 7

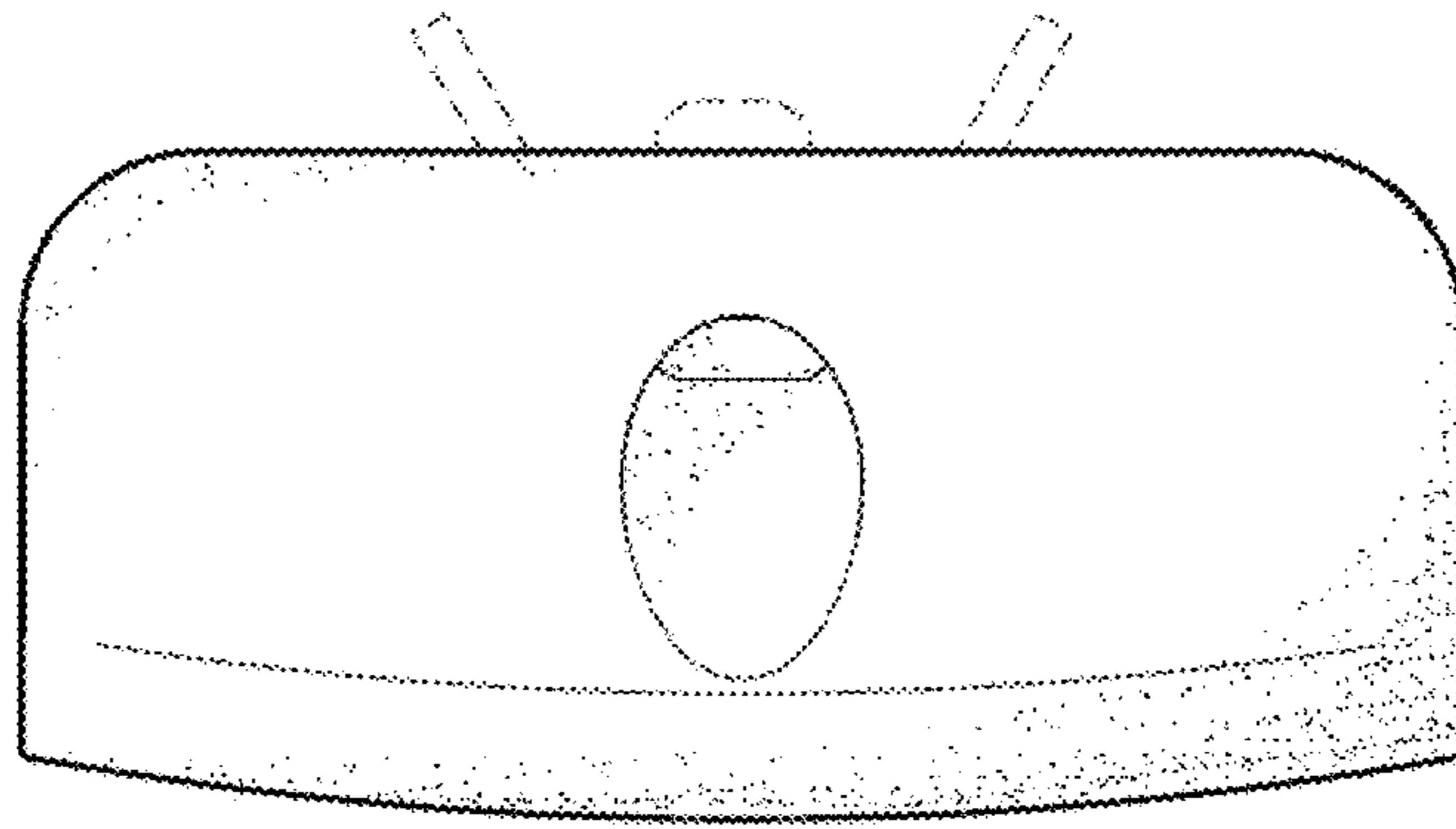


Fig. 8

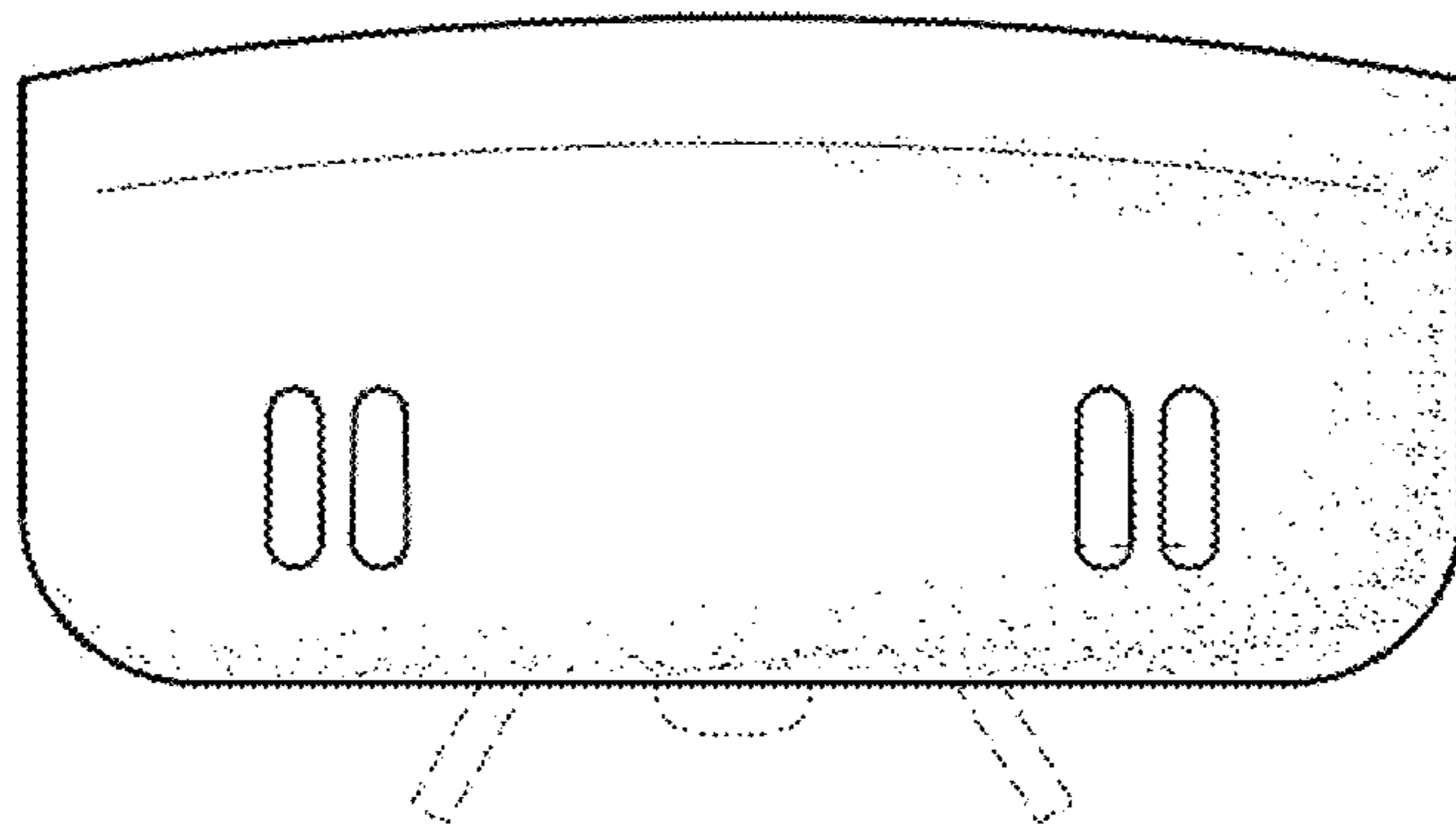


Fig. 9

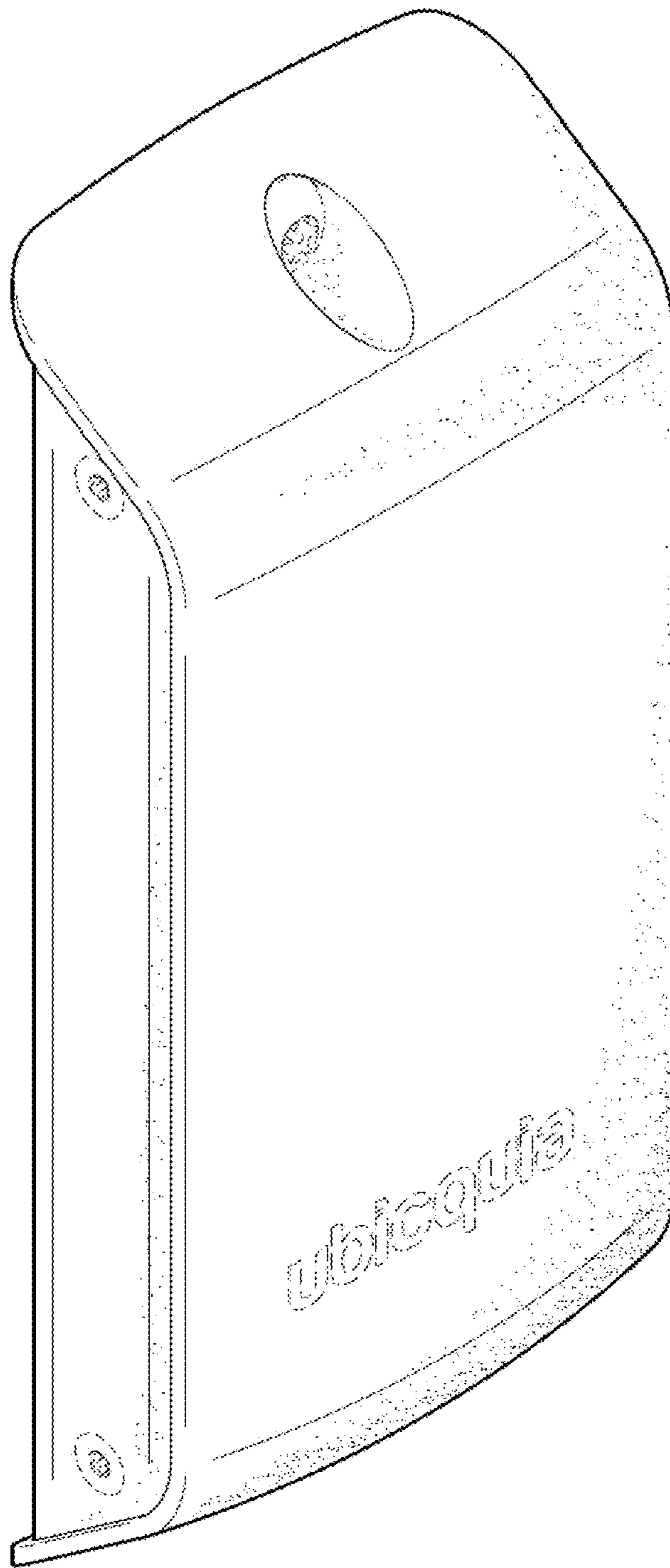


Fig. 10

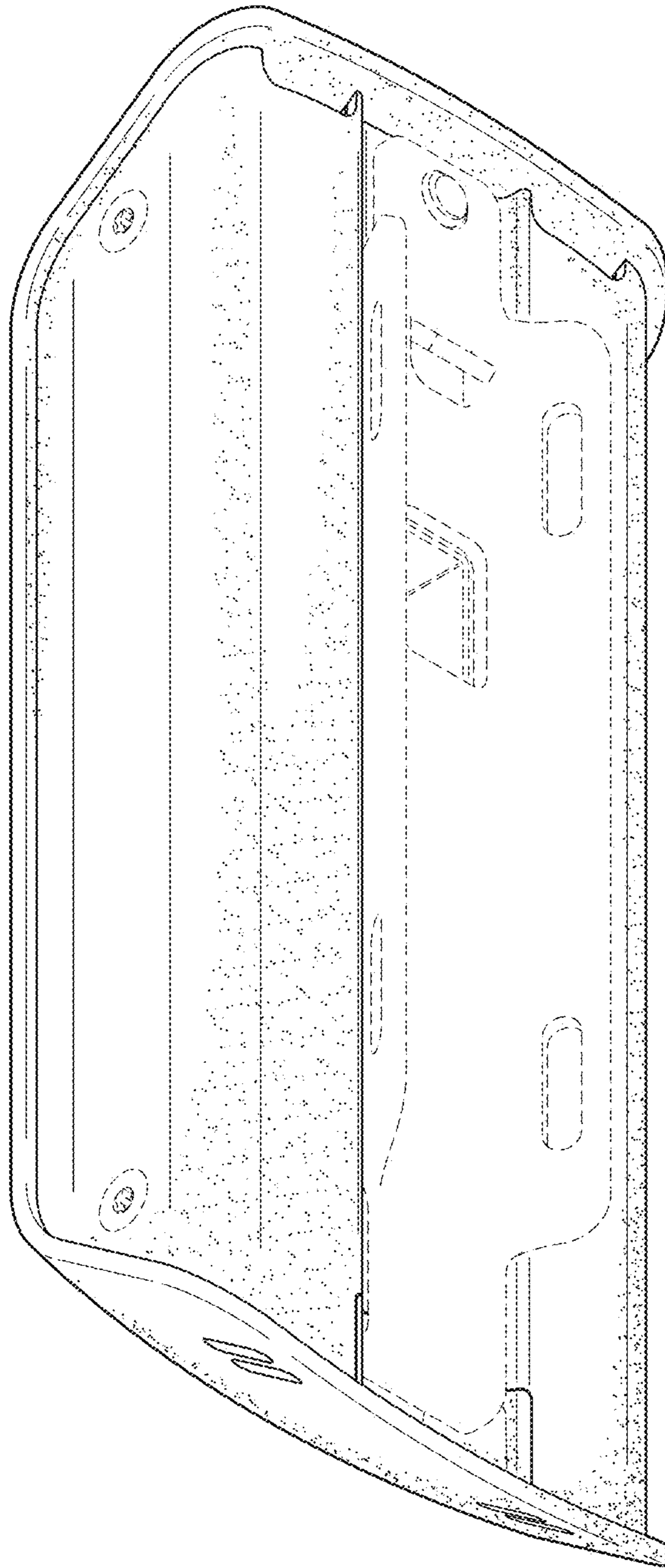


Fig. 11



Fig. 12

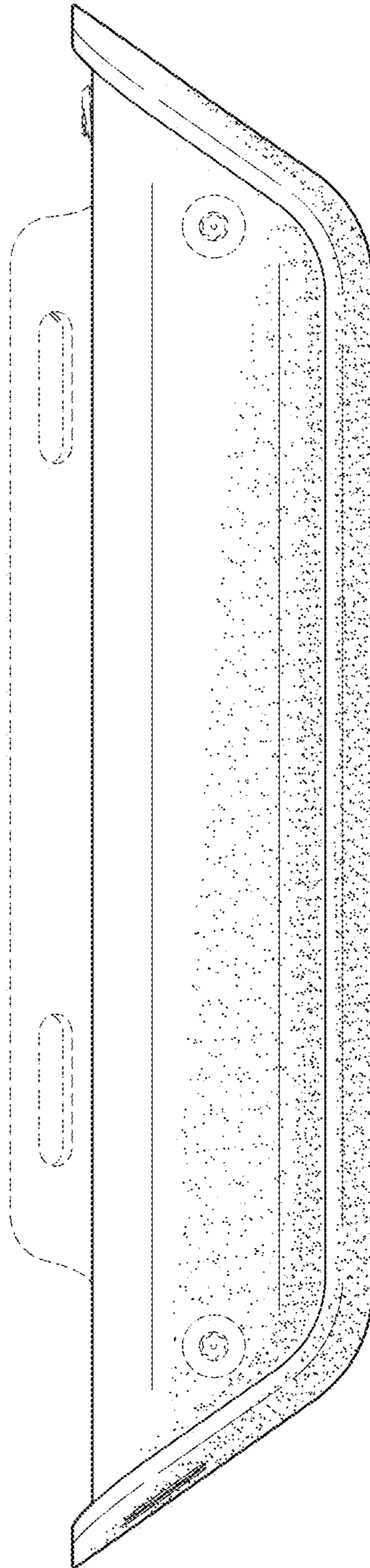


Fig. 13

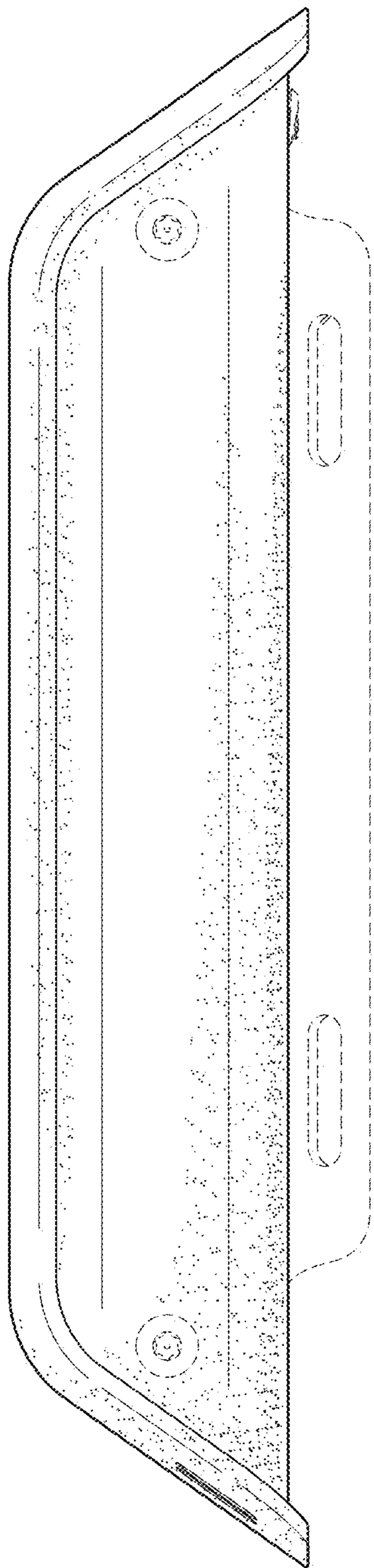


Fig. 14

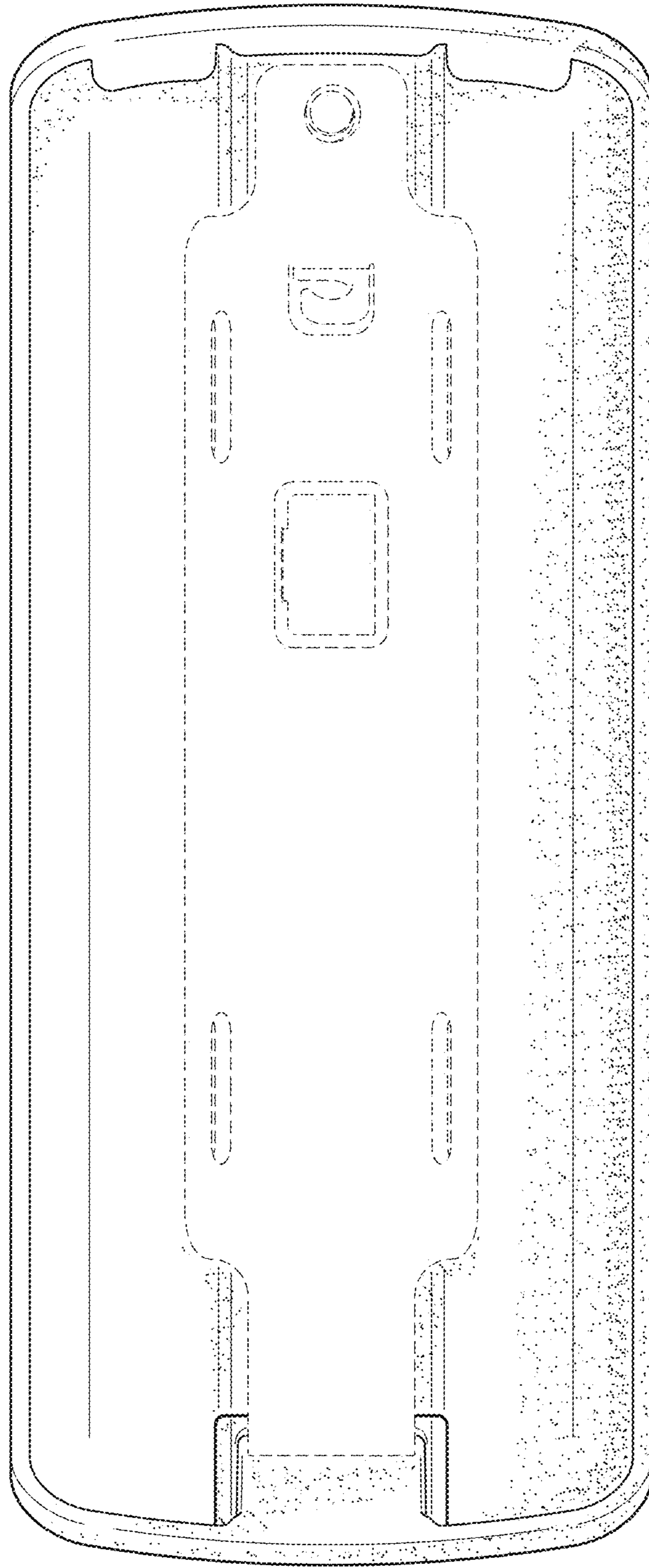


Fig. 15

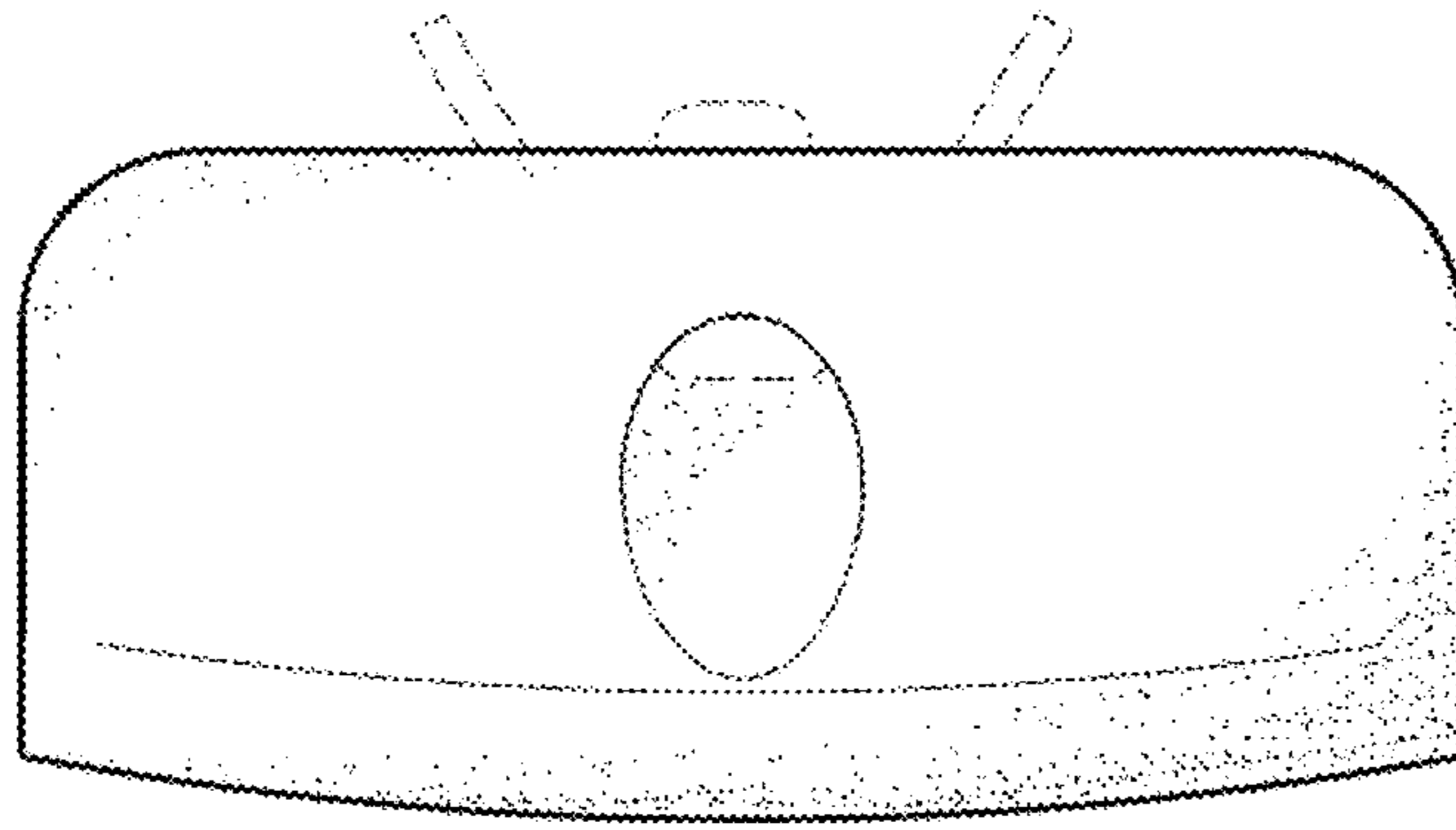


Fig. 16

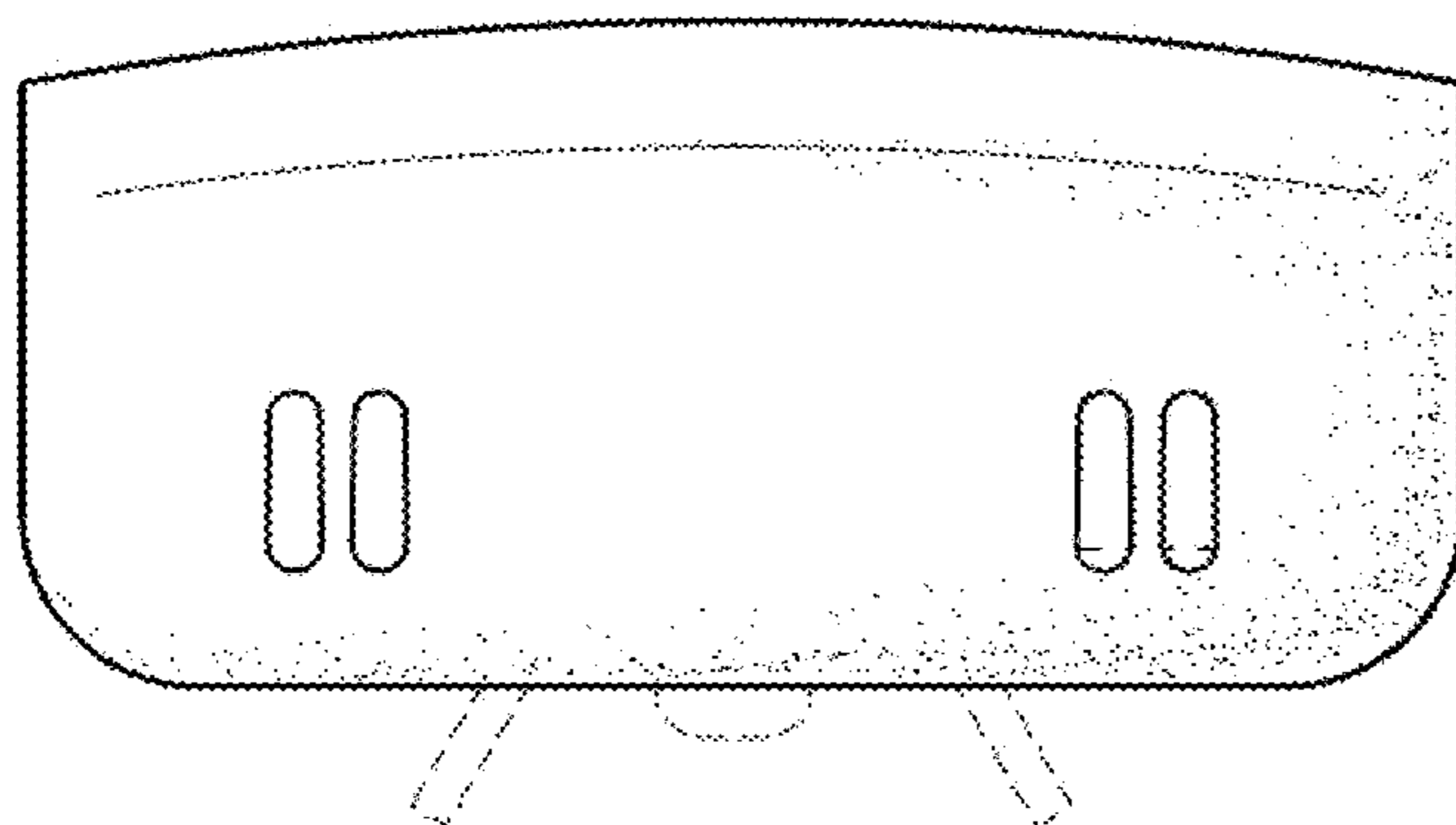


Fig. 17