



US00D951780S

(12) **United States Design Patent**
Li et al.

(10) **Patent No.:** **US D951,780 S**
(45) **Date of Patent:** **** May 17, 2022**

(54) **BUILDING CONTROLLER**

(71) Applicant: **Honeywell International Inc.**, Morris Plains, NJ (US)

(72) Inventors: **Haitao Li**, Beijing (CN); **Ke Zhang**, Beijing (CN); **Michael Zheng**, Beijing (IN); **Hang Su**, Chongqing (CN); **Xinyan Zheng**, Beijing (CN); **Cary Leen**, Hammond, WI (US); **Ashu Rawat**, Redmond, WA (US)

(73) Assignee: **HONEYWELL INTERNATIONAL INC.**, Charlotte, NC (US)

(**) Term: **15 Years**

(21) Appl. No.: **29/738,167**

(22) Filed: **Jun. 15, 2020**

(51) **LOC (13) Cl.** **10-04**

(52) **U.S. Cl.**
USPC **D10/49; D13/162.1**

(58) **Field of Classification Search**
USPC D10/49, 50; D13/123, 162, 162.1, 177; D23/354, 358
CPC H01H 2223/008; H01H 2223/01; H01H 2223/012; H01H 2223/014; H01H 2223/016; H01H 2223/018; H01H 2223/02; H01H 2223/022; H01H 2223/024; H01H 2223/026; H01H 2223/028; H01H 2223/00;

(Continued)

(56) **References Cited**

U.S. PATENT DOCUMENTS

D400,180 S 10/1998 Shimuzu
D578,029 S 10/2008 Plewa
D596,963 S 7/2009 Novotny et al.

(Continued)

OTHER PUBLICATIONS

“Building Controller—Google Search,” Google, 34 pages, accessed Dec. 28, 2018.

(Continued)

Primary Examiner — Antoine Duval Davis
(74) *Attorney, Agent, or Firm* — Seager, Tufte & Wickhem, LLP

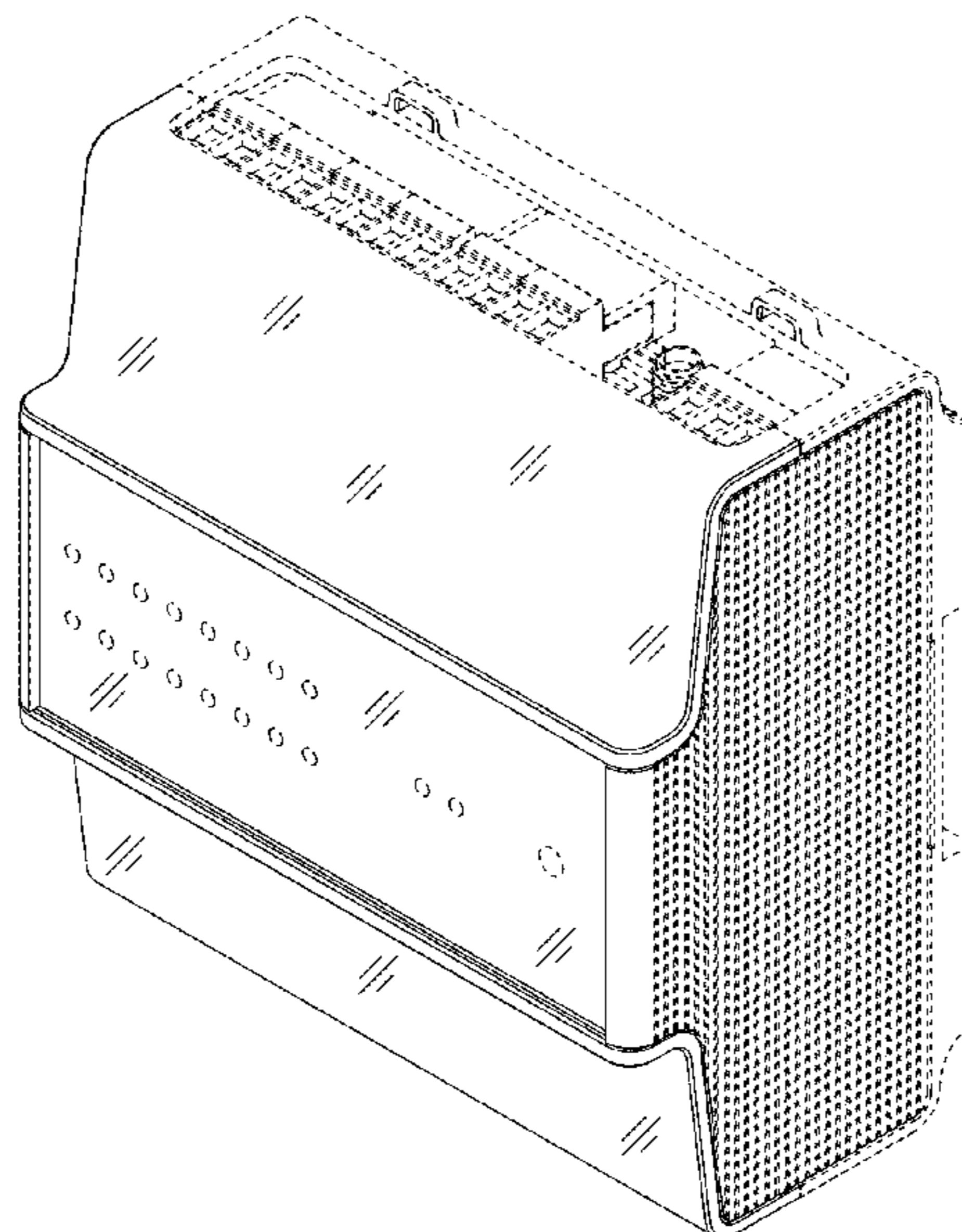
(57) **CLAIM**

The ornamental design for a building controller, as shown and described.

DESCRIPTION

FIG. 1 is a perspective view of a building controller; FIG. 2 is a front elevation view of the building controller of FIG. 1; FIG. 3 is a top plan view of the building controller of FIG. 1; FIG. 4 is a bottom plan view of the building controller of FIG. 1; FIG. 5 is a left side view of the building controller of FIG. 1; FIG. 6 is a right side view of the building controller of FIG. 1; FIG. 7 is a perspective view of the building controller of FIG. 1 with top and bottom covers removed; and, FIG. 8 is a perspective view of another building controller. In FIGS. 1-7, the claimed design is defined by the shaded surfaces as well as the left and right side surfaces that are not shaded because such shading would be obscured by the vertical broken lines; in FIG. 8, the claimed design is defined by the shaded surfaces as well as the left and right side surfaces that are not shaded because such shading would be obscured by the vertical lines; broken lines immediately adjacent shaded surfaces and immediately adjacent the left and right side surfaces represent boundaries of the claim and form no part thereof; all other broken lines depict unclaimed environmental subject matter and form no part of the claim.

1 Claim, 8 Drawing Sheets



(58) **Field of Classification Search**

CPC H01H 2223/002; H01H 2223/003; H01H
2223/004; H01H 2223/006; H01H
2223/04

See application file for complete search history.

(56) **References Cited**

U.S. PATENT DOCUMENTS

D596,964 S 7/2009 Wang et al.
D607,843 S 1/2010 Borax
7,649,472 B1 1/2010 Paterno
D620,454 S 7/2010 Lissola et al.
7,758,368 B2* 7/2010 Schelonka H01R 9/2608
439/325
D628,199 S 11/2010 Yukikado et al.
7,980,891 B2* 7/2011 Molnar H01R 9/2608
439/532
D659,652 S 5/2012 Wong
8,276,829 B2* 10/2012 Stoner G05D 23/1934
236/1 C
D678,084 S 3/2013 Beland et al.
D705,223 S 5/2014 Akana et al.
D720,633 S 1/2015 Novotny et al.
9,002,481 B2* 4/2015 Leen F24F 11/30
700/9
D735,667 S 8/2015 Mielnik et al.
D758,365 S 6/2016 Shimano et al.
D762,842 S 8/2016 Kokeny et al.
D765,031 S 8/2016 Mielnik et al.
D768,585 S 10/2016 Moore et al.
D774,005 S 12/2016 Ye et al.
9,532,437 B1 12/2016 Zhang
9,587,848 B2 3/2017 Adamik et al.
D792,353 S 7/2017 Yoshida et al.
D793,967 S 8/2017 Leeland et al.
9,804,610 B2 10/2017 Sloo et al.
9,892,692 B2 2/2018 Nageli et al.
D815,606 S 4/2018 Nada et al.
D828,816 S 9/2018 Spors et al.
10,216,200 B2* 2/2019 Leen G05B 15/02
10,359,745 B2* 7/2019 Meruva F24F 11/30
D865,731 S 11/2019 Sun et al.
D873,269 S 1/2020 Hu et al.
D902,204 S * 11/2020 Li F24F 11/30
D14/358
D902,925 S * 11/2020 Li G05D 23/1934
D14/358
D905,689 S * 12/2020 Li F24F 11/30
D14/358
D905,690 S * 12/2020 Li G05B 15/02
D14/358

D907,633 S * 1/2021 Li H01R 9/2608
D14/358
D914,017 S * 3/2021 Li H01R 9/2608
D14/358
D916,701 S * 4/2021 Shin D14/358
D918,901 S * 5/2021 Zhang D14/358
D936,052 S * 11/2021 Li D14/358
D937,258 S * 11/2021 Li D14/358
D937,259 S * 11/2021 Li D14/358
2012/0151399 A1 6/2012 Soerensen et al.
2015/0054652 A1 2/2015 Crochet
2015/0096352 A1 4/2015 Peterson et al.
2015/0097666 A1 4/2015 Boyd et al.
2015/0159895 A1 6/2015 Quam et al.
2016/0261425 A1 9/2016 Horton et al.
2017/0162007 A1 6/2017 Boyd et al.
2017/0352259 A1 12/2017 Bruck et al.
2018/0114434 A1 4/2018 Newman, Jr. et al.
2020/0073346 A1 3/2020 Chan et al.

OTHER PUBLICATIONS

“Building Controller Honeywell—Google Search,” Google, 34 pages, accessed Dec. 28, 2018.
“Advantech Introduces New Direct Digital Controller with Integrated BACNet Router-BAS-3500BC,” Advantech, 1 page, Dec. 2012.
“Advantech Launches Full-Featured Building Automation Controller Series,” Design World Staff, 9 pages, Jan. 28, 2009.
U.S. Appl. No. 29/662,117, “Building Controller,” filed Sep. 1, 2018.
U.S. Appl. No. 29/662,118, “User Interface Module And Mounting Base For A Building Control System,” filed Sep. 1, 2018.
JACE 8000 Controller; before Jan. 1, 2017; 6 pgs; https://www.google.com/search?q=Honeywell+International+building+controller+before%3A2017-01-01&tbm=isch&ved=2ahUKEwj70K6EsZDoAhWJBN8KHbFPB1sQ2-cCegQIABAA&oq=Honeywell+International+building+controller+before%3A2017-01-01&gs_l=img_3...378229.396120..397891..6.
I/O Modules UI-8/AO-4 and UI-8/AO-4-H, 2 pages, <https://ecostructure-building-help.se.com/bms/Topics/show.castle?id=807>, accessed Jan. 10, 2020.
Distech Datasheet/ 05DI-DSEL600-17, ECL-600 and ECx-400 Series, Distech Controls, 8 pages, 2011.
Honeywell Hardware Reference Guide, 114 pages, Jan. 2020.
Universal Controller Screen Assign I/O HOA—Google Search, 31 pages, accessed Jan. 10, 2020. <https://www.google.com/search?client=firefox-b-1-d&biw=1812&bih=1357&tbm=isch&sa=1&ei=CsYYXu3qEeKp5wLr67qgBw&q=universal+controller+screen>.
JACE-8000 Controller (12977) Mounting and Wiring Guide, Dec. 12, 2015; 10 pages.
EP19194800.9 Extended European Search Report pp. 8, Jan. 30, 2020.

* cited by examiner

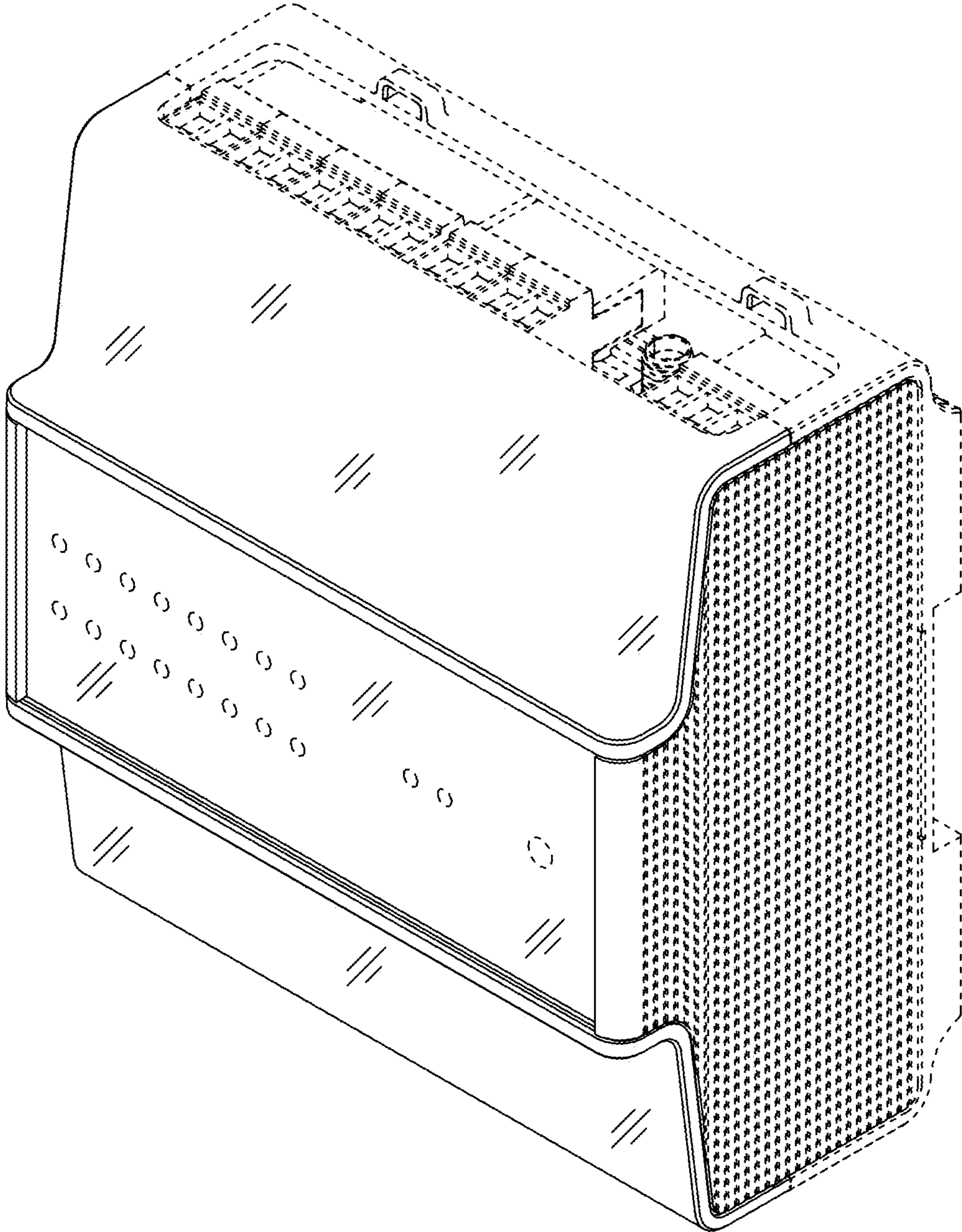


FIG. 1

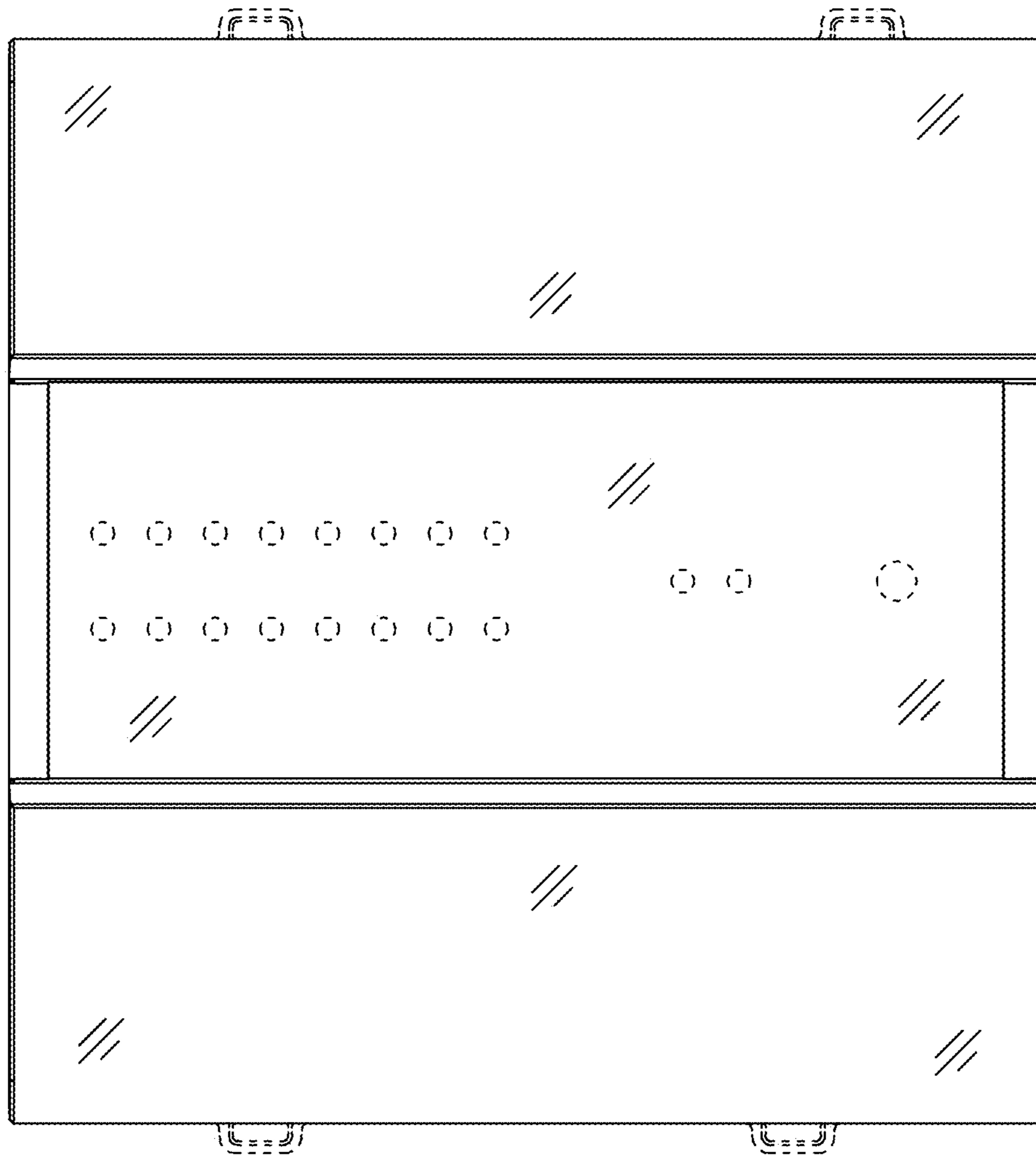


FIG. 2

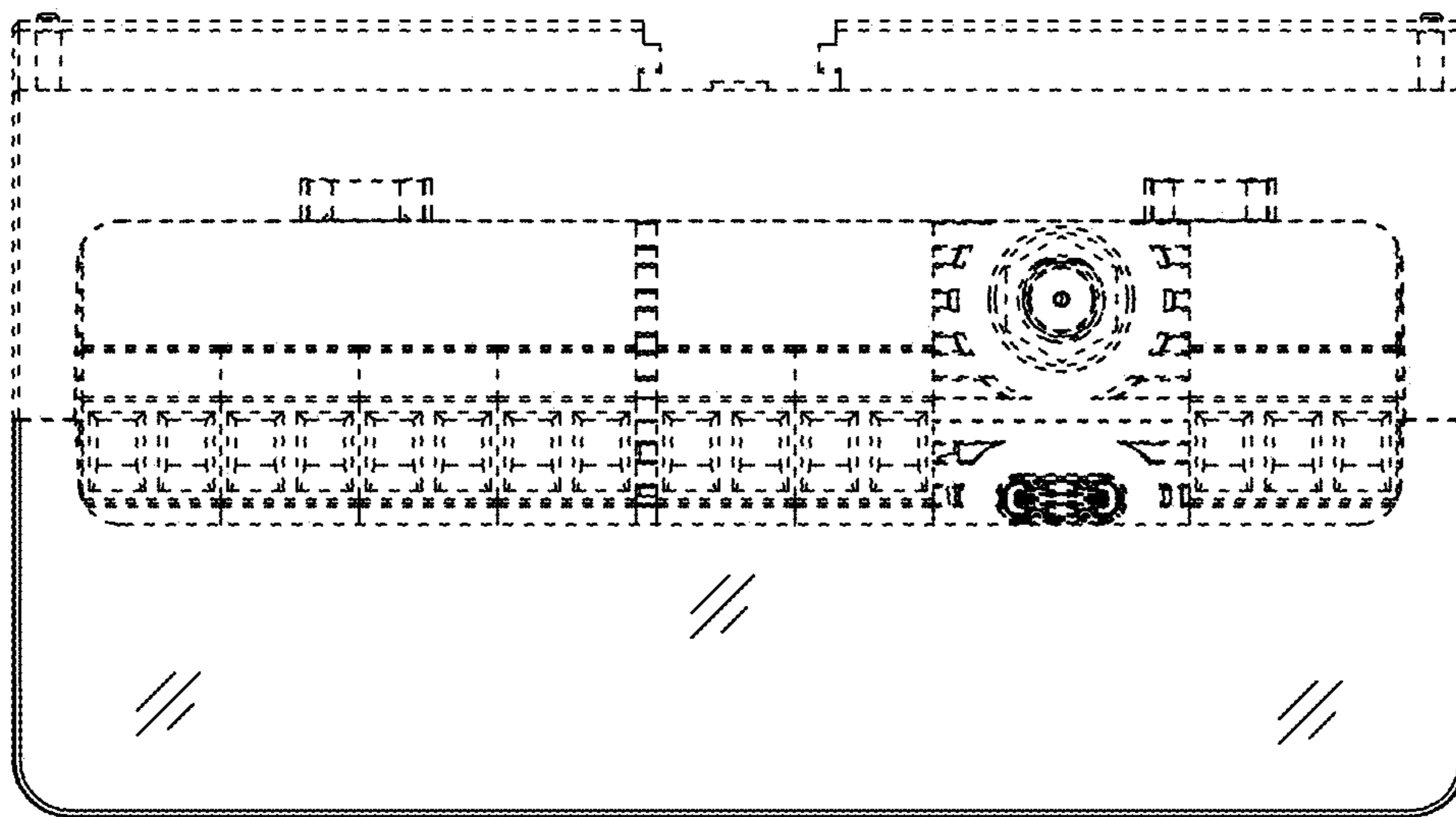


FIG. 3

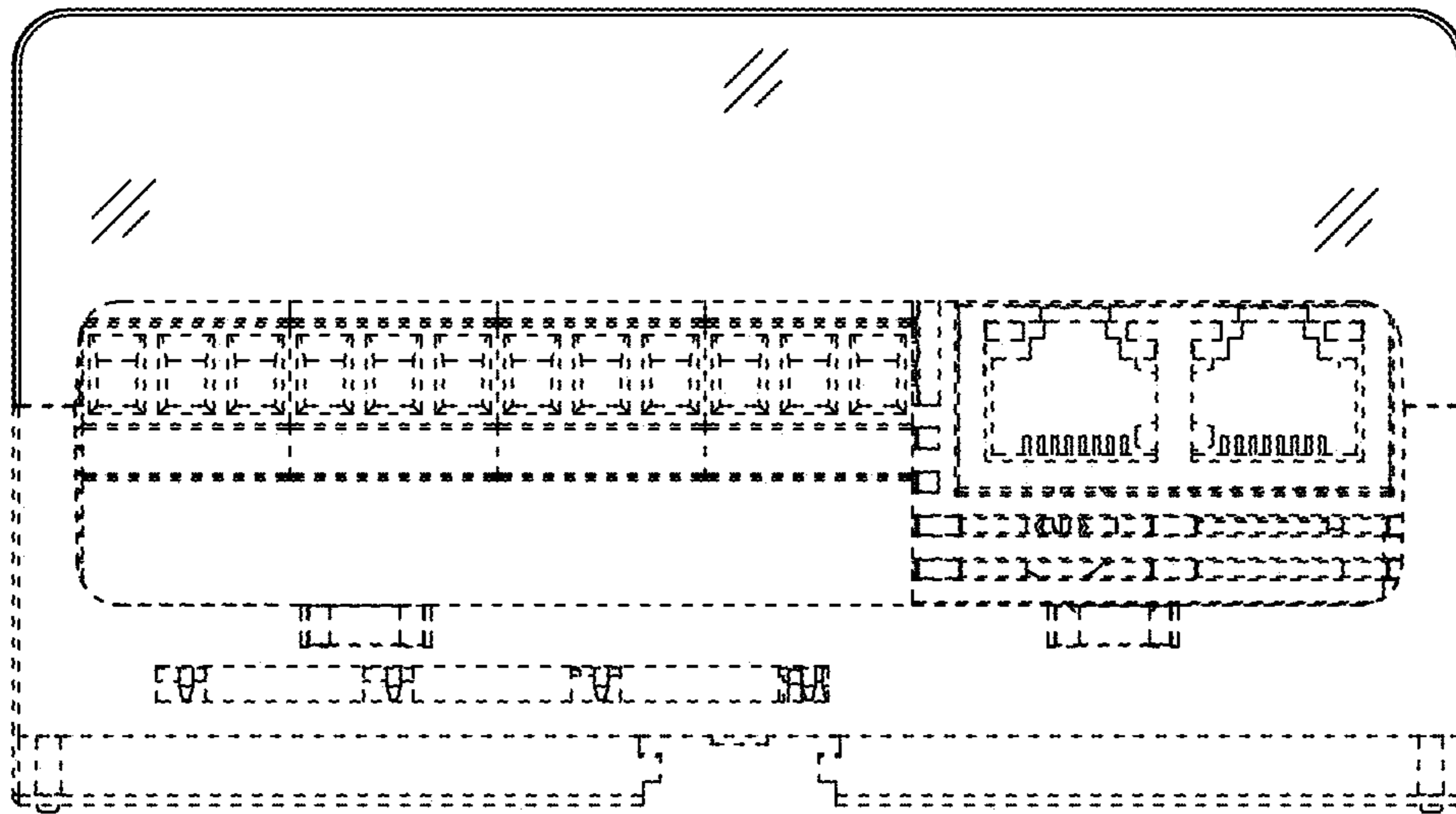


FIG. 4

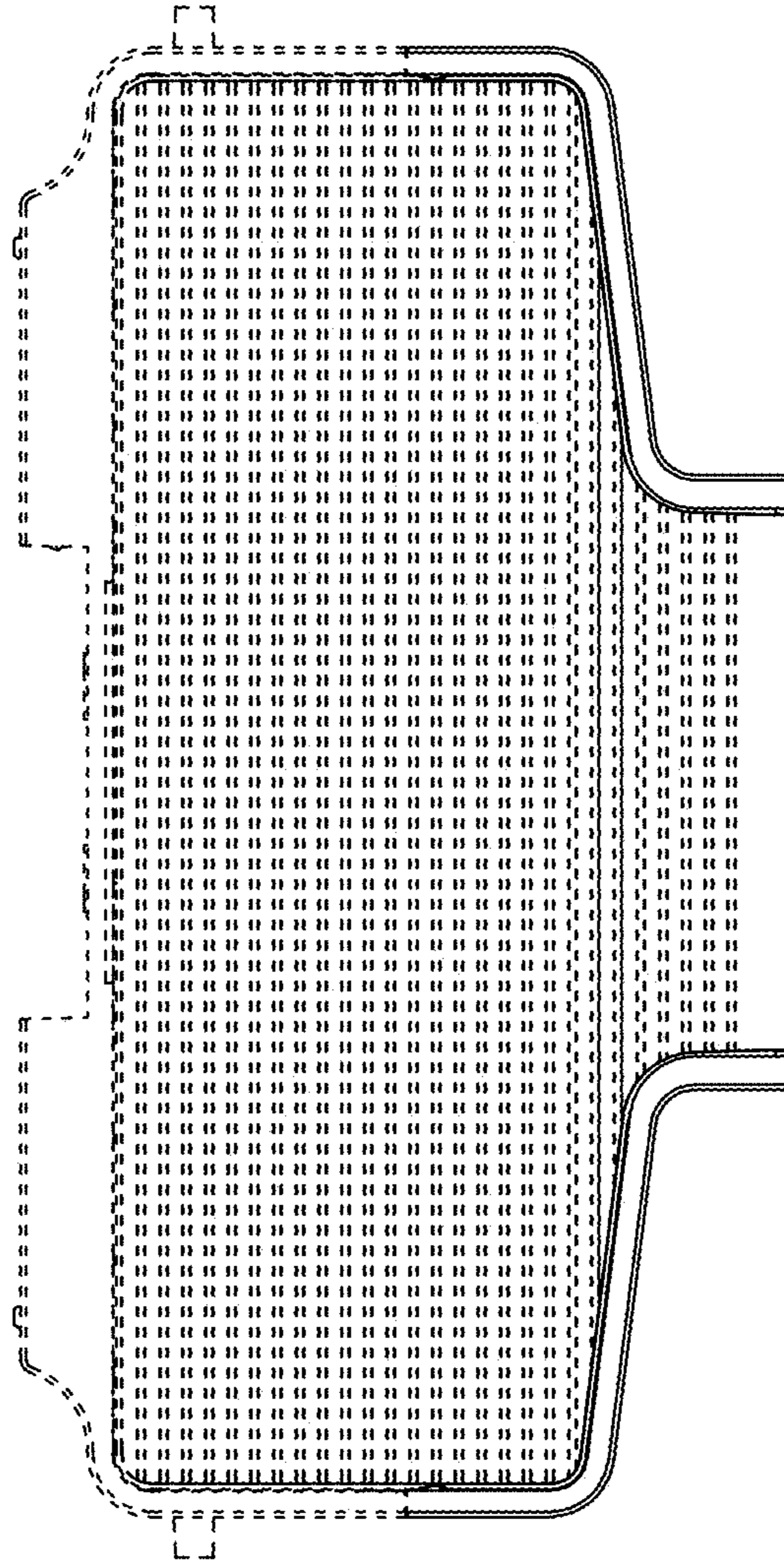


FIG. 5

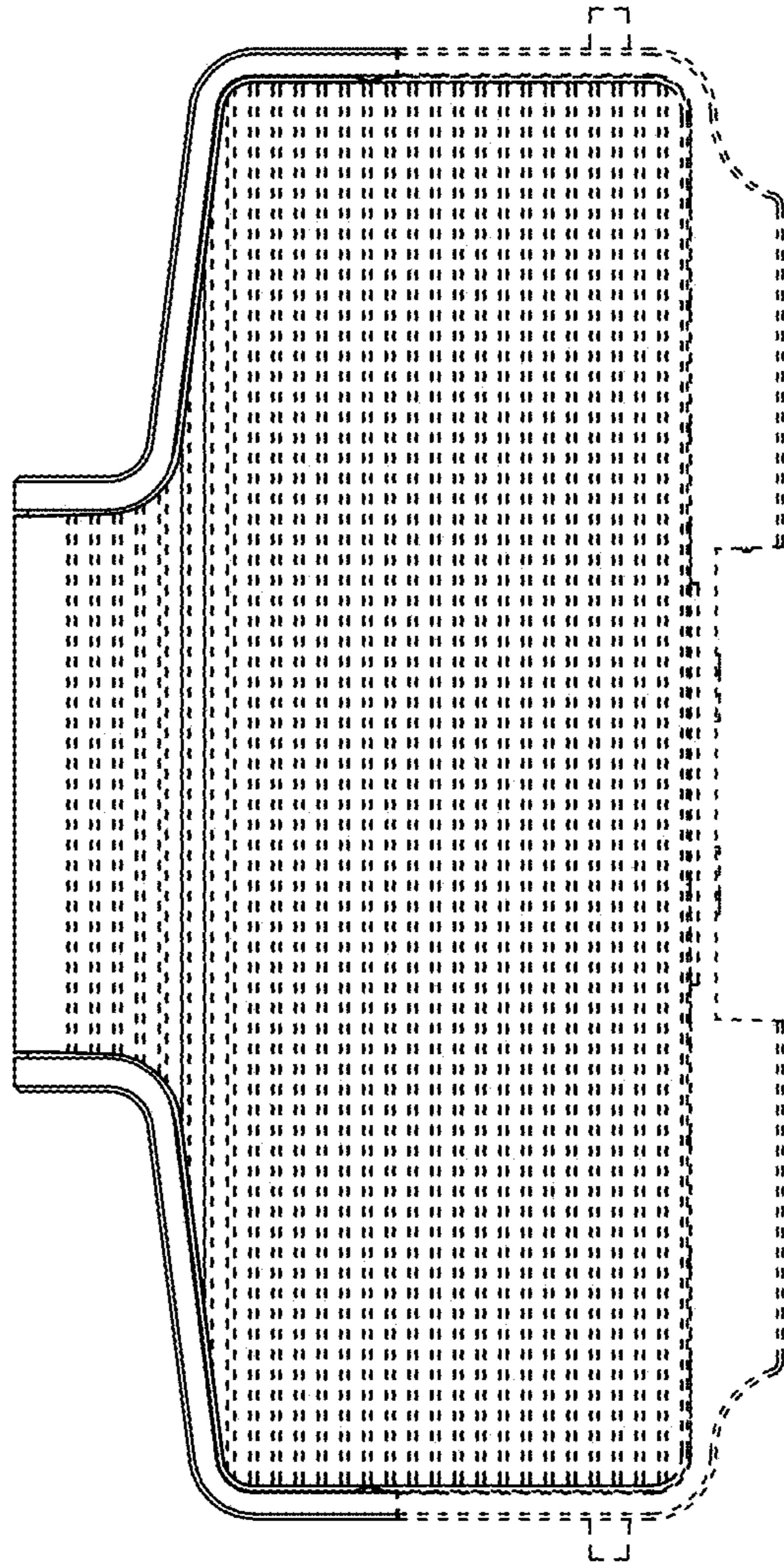


FIG. 6

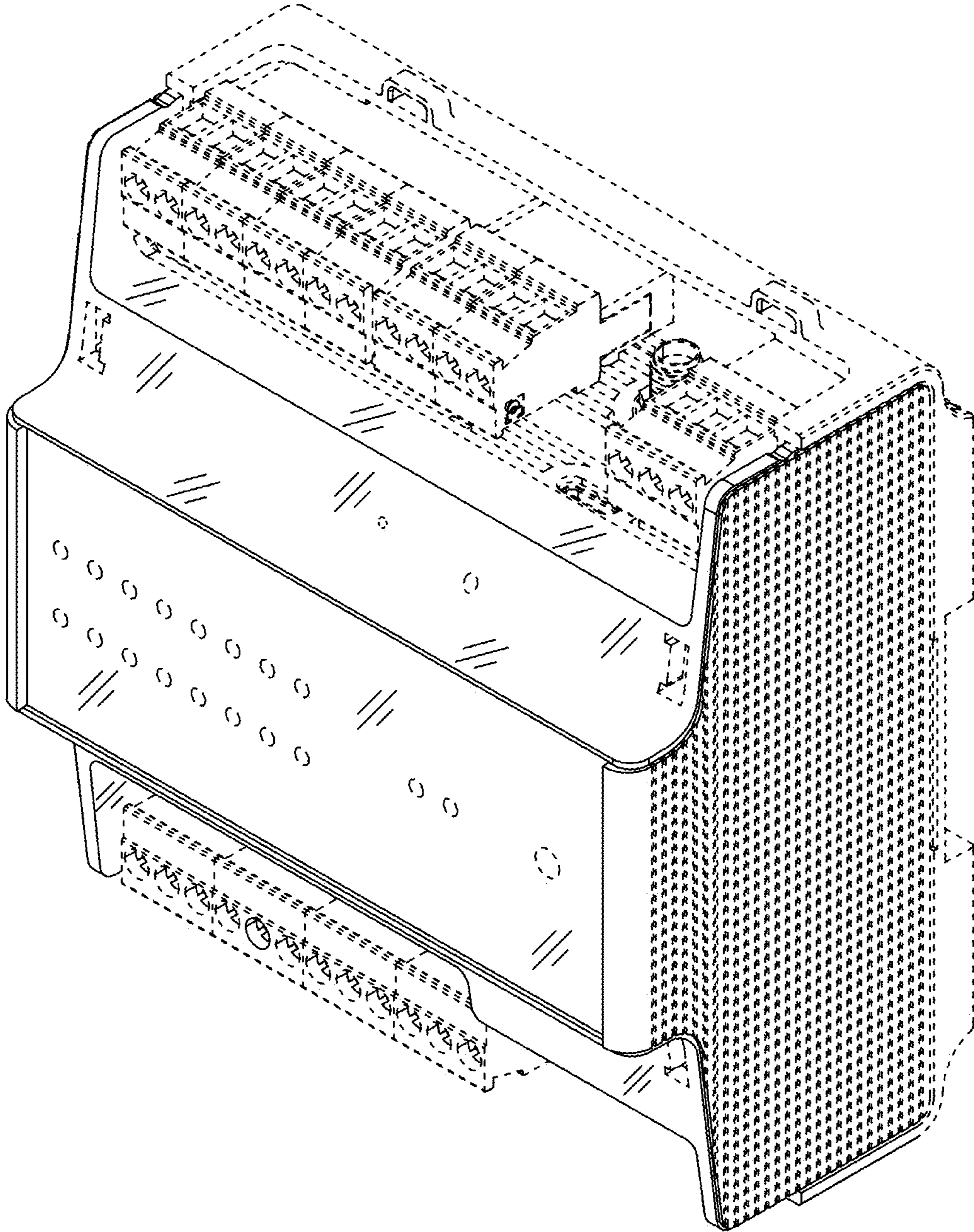


FIG. 7

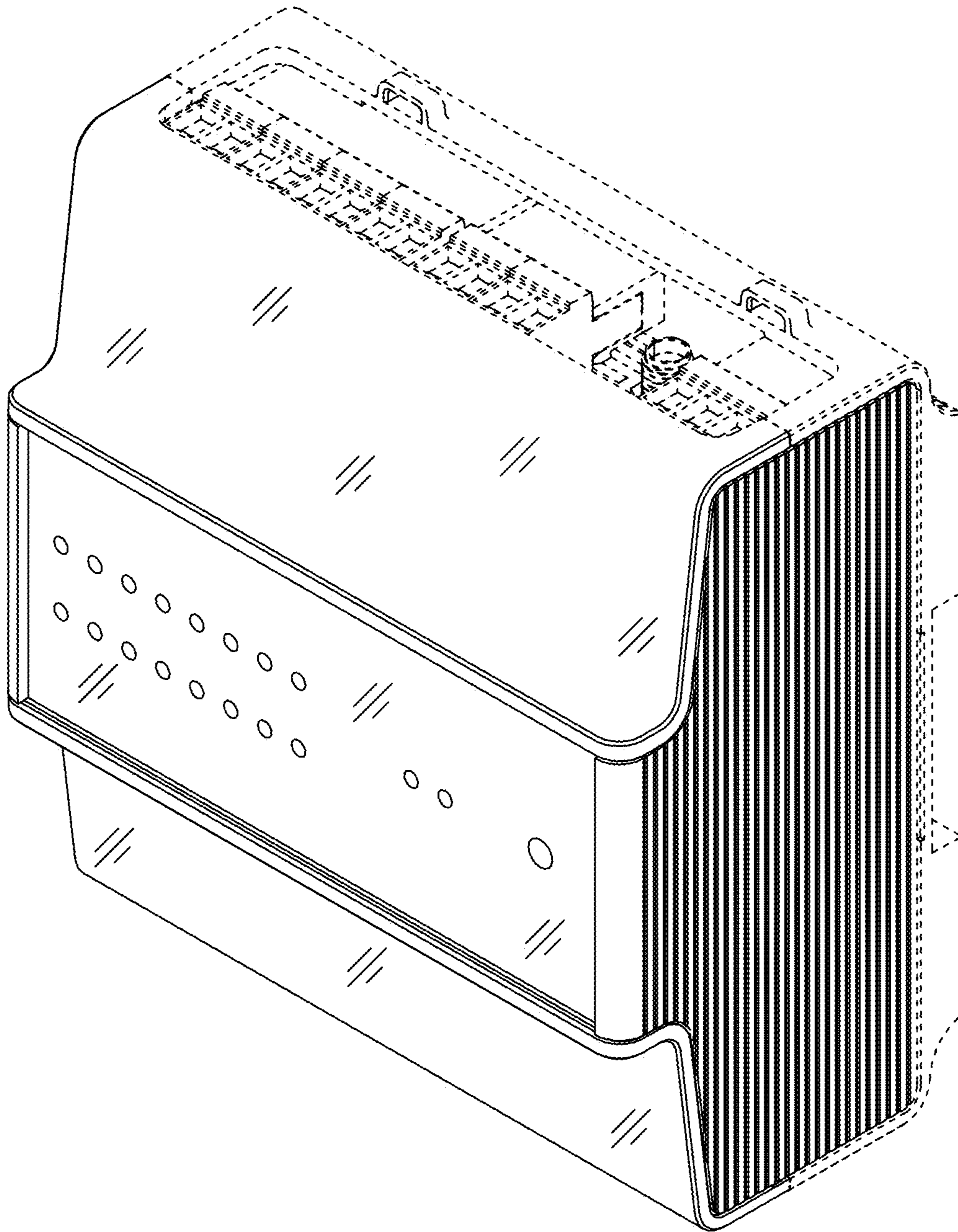


FIG. 8