



US00D951779S

(12) **United States Design Patent**
He

(10) **Patent No.:** **US D951,779 S**

(45) **Date of Patent:** **** May 17, 2022**

- (54) **TIMER**
- (71) Applicant: **dongguan city SEIRIOS electronics technology LIMIT, Dongguan (CN)**
- (72) Inventor: **Ming He, Dongguan (CN)**
- (**) Term: **15 Years**
- (21) Appl. No.: **29/766,667**
- (22) Filed: **Jan. 18, 2021**
- (51) **LOC (13) Cl.** **10-03**
- (52) **U.S. Cl.**
USPC **D10/40**
- (58) **Field of Classification Search**
USPC D10/1-2, 14-15, 24, 40-41, 46.1
CPC G04G 17/086; G04F 3/02; G04F 8/00;
G04F 8/008; G09B 19/12
See application file for complete search history.

7,206,260 B1 *	4/2007	Klein	G04F 1/005	368/88
D564,372 S *	3/2008	Bhavnani	D10/31	
D614,051 S *	4/2010	Cooney	D10/40	
D644,130 S *	8/2011	Thelen	D10/15	
D780,603 S *	3/2017	Chism	D10/40	
D868,601 S *	12/2019	Evans	D10/41	
2007/0287519 A1 *	12/2007	McLain	A63F 1/06	463/13

* cited by examiner

Primary Examiner — Katherine Glennon

(57) **CLAIM**

The ornamental design for a timer, as shown and described.

DESCRIPTION

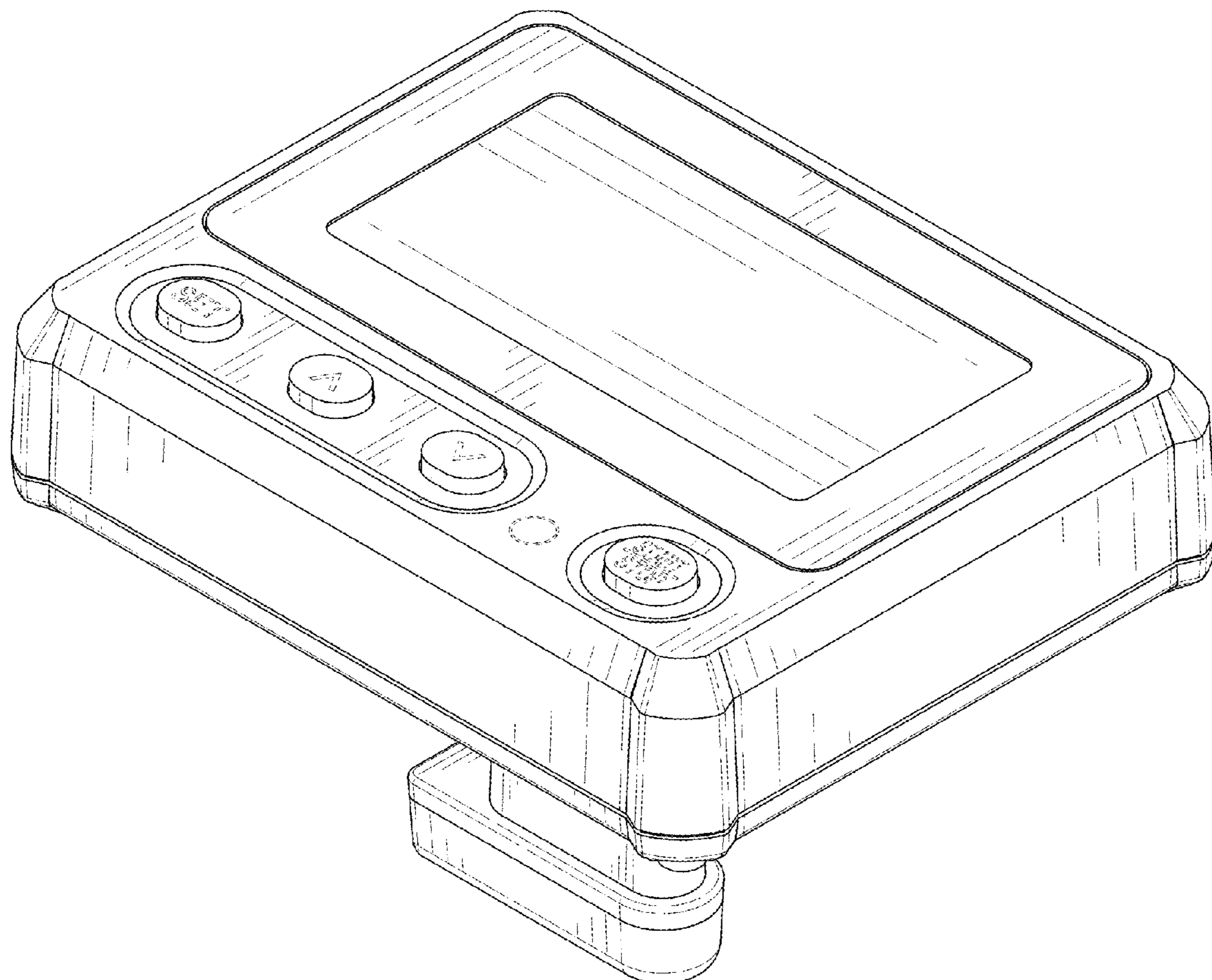
FIG. 1 is a front and top perspective view of a timer, showing my new design;
 FIG. 2 is a rear and bottom perspective view thereof;
 FIG. 3 is a front elevation view thereof;
 FIG. 4 is a rear elevation view thereof;
 FIG. 5 is a left side elevation view thereof;
 FIG. 6 is a right side elevation view thereof;
 FIG. 7 is a top plan view thereof; and,
 FIG. 8 is a bottom plan view thereof.
 The broken lines in the figures illustrate portions of the timer that form no part of the claimed design.

1 Claim, 8 Drawing Sheets

(56) **References Cited**

U.S. PATENT DOCUMENTS

D283,403 S *	4/1986	Chan	D10/2
D381,589 S *	7/1997	Chan	D10/104.1
D382,820 S *	8/1997	Chan	D10/15
D510,283 S *	10/2005	Bhavnani	D10/40



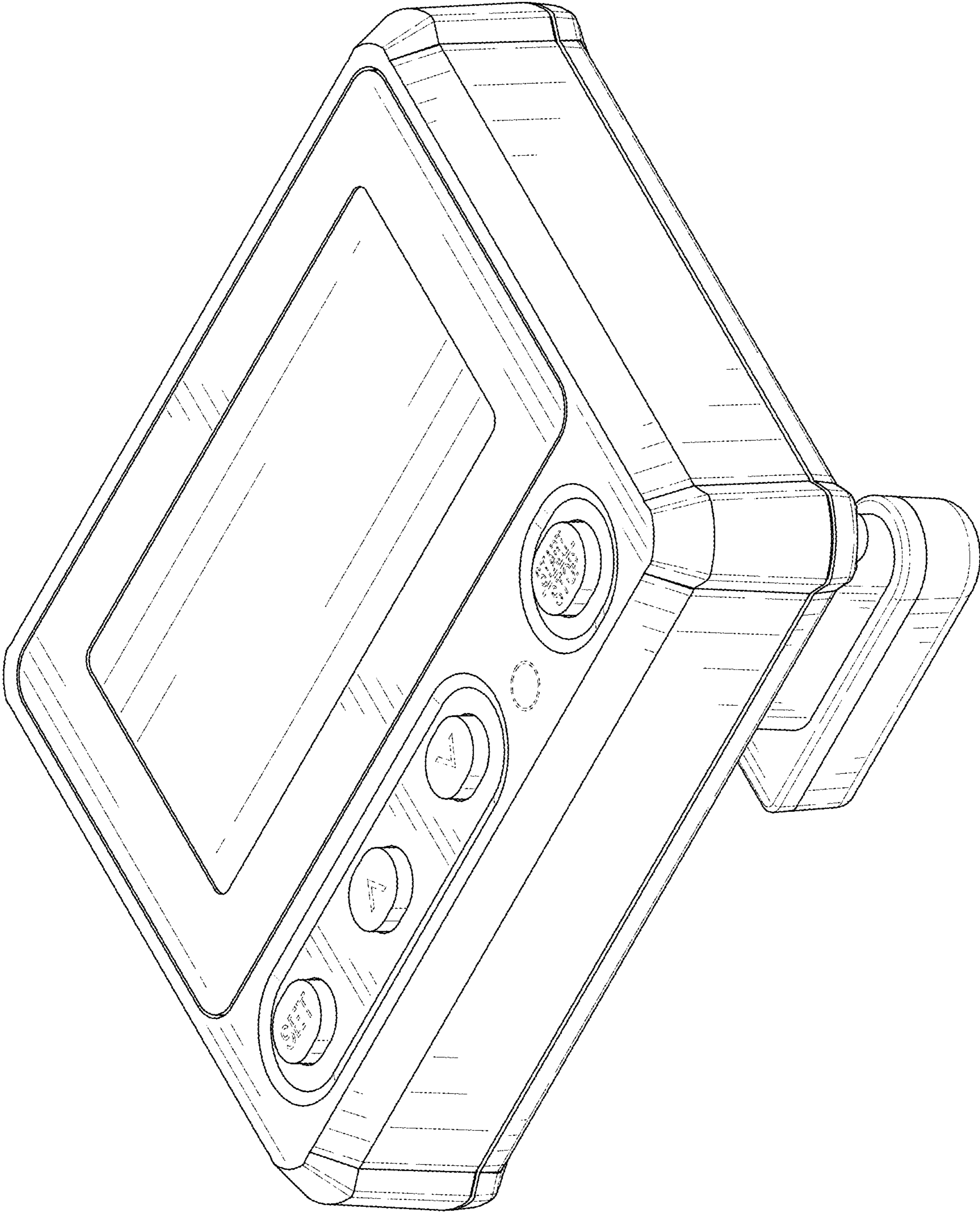


FIG. 1

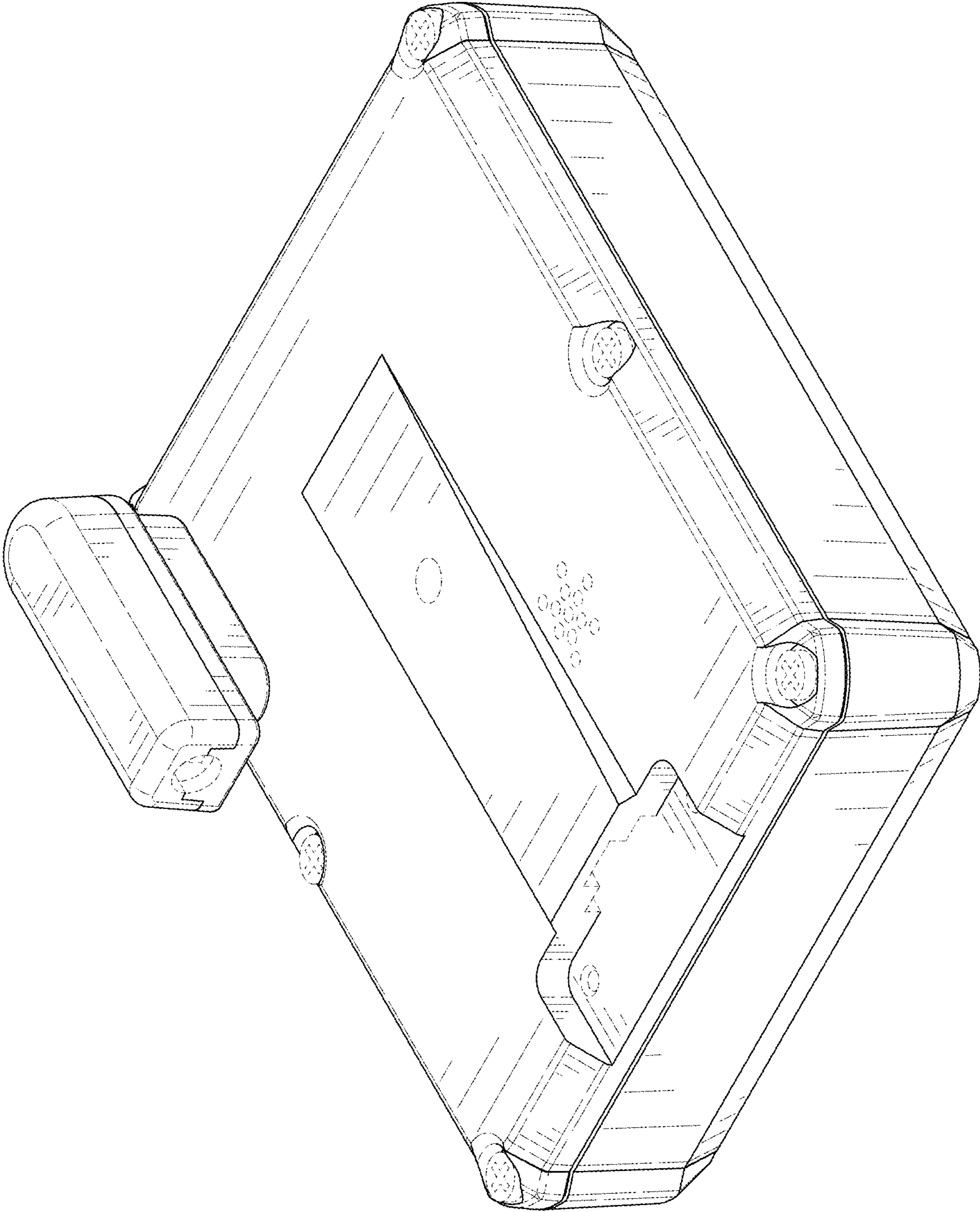


FIG. 2

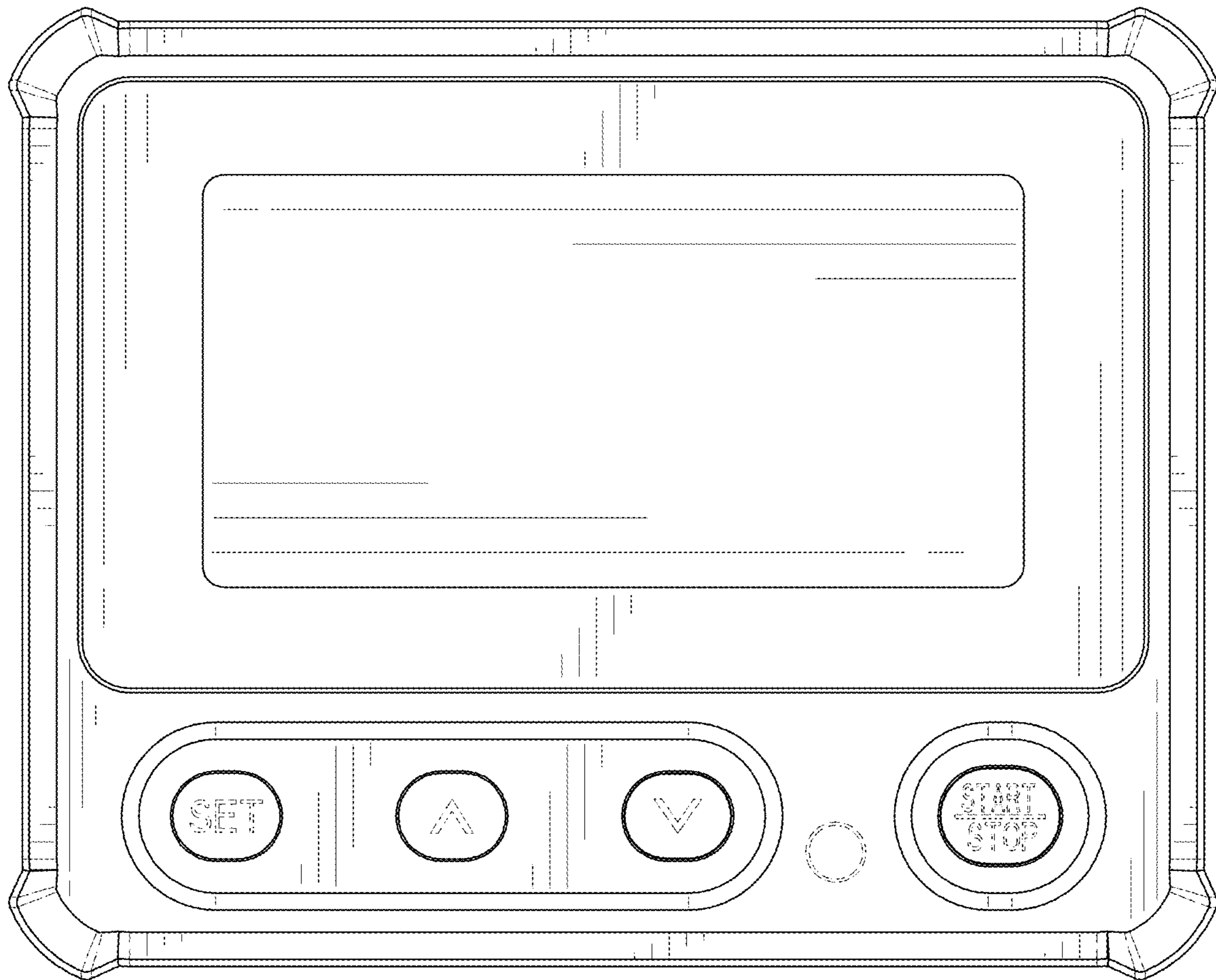


FIG. 3

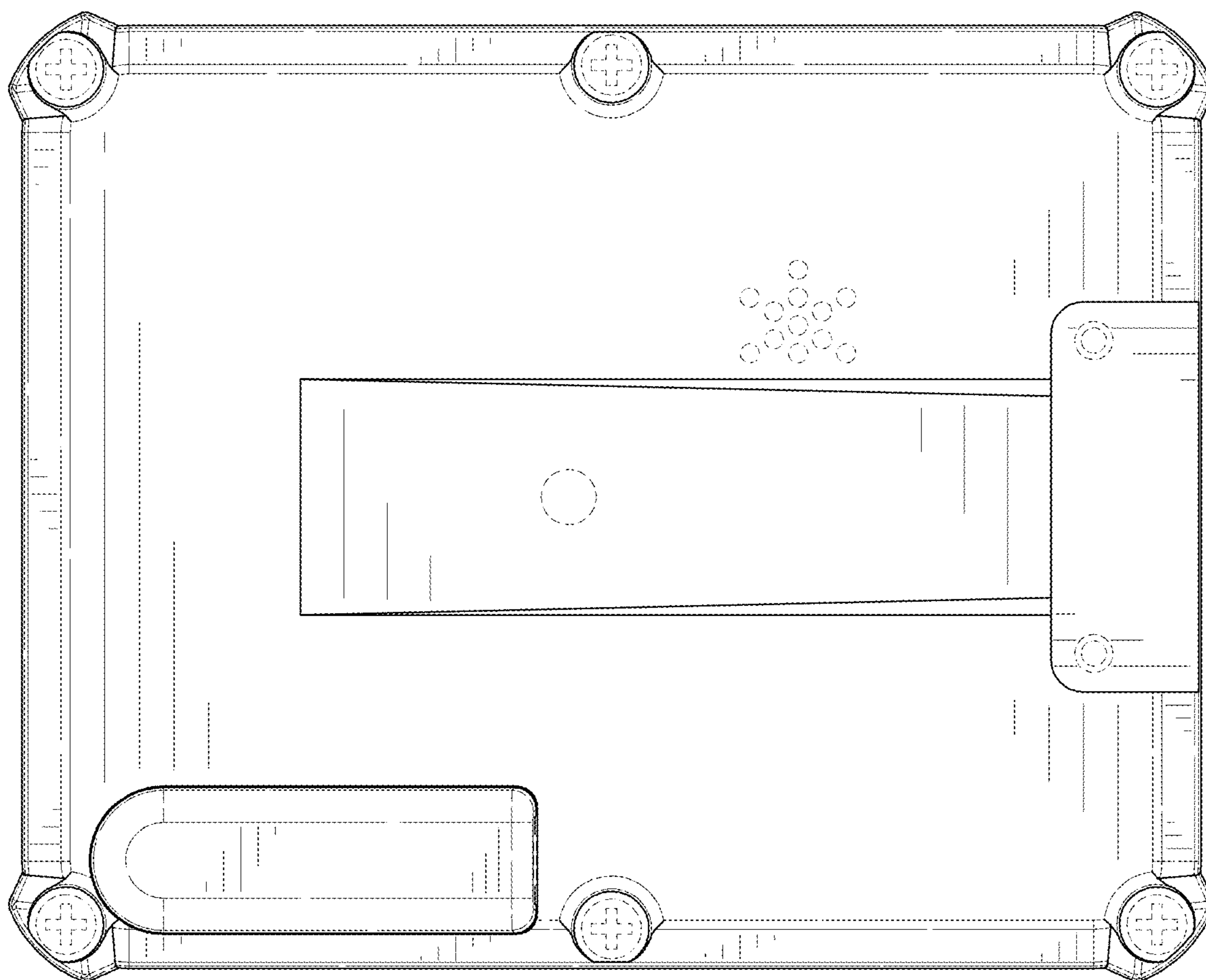


FIG. 4

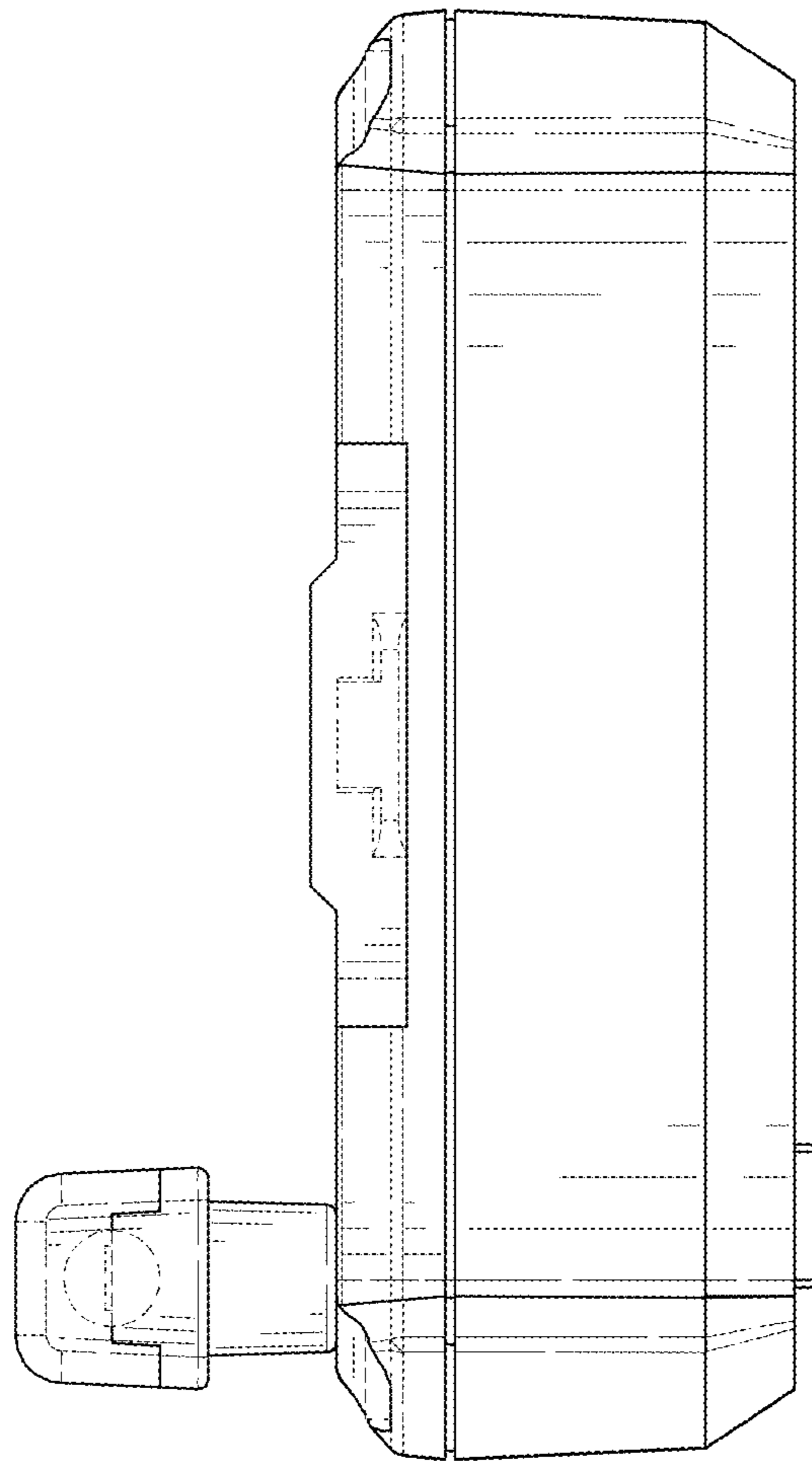


FIG. 5

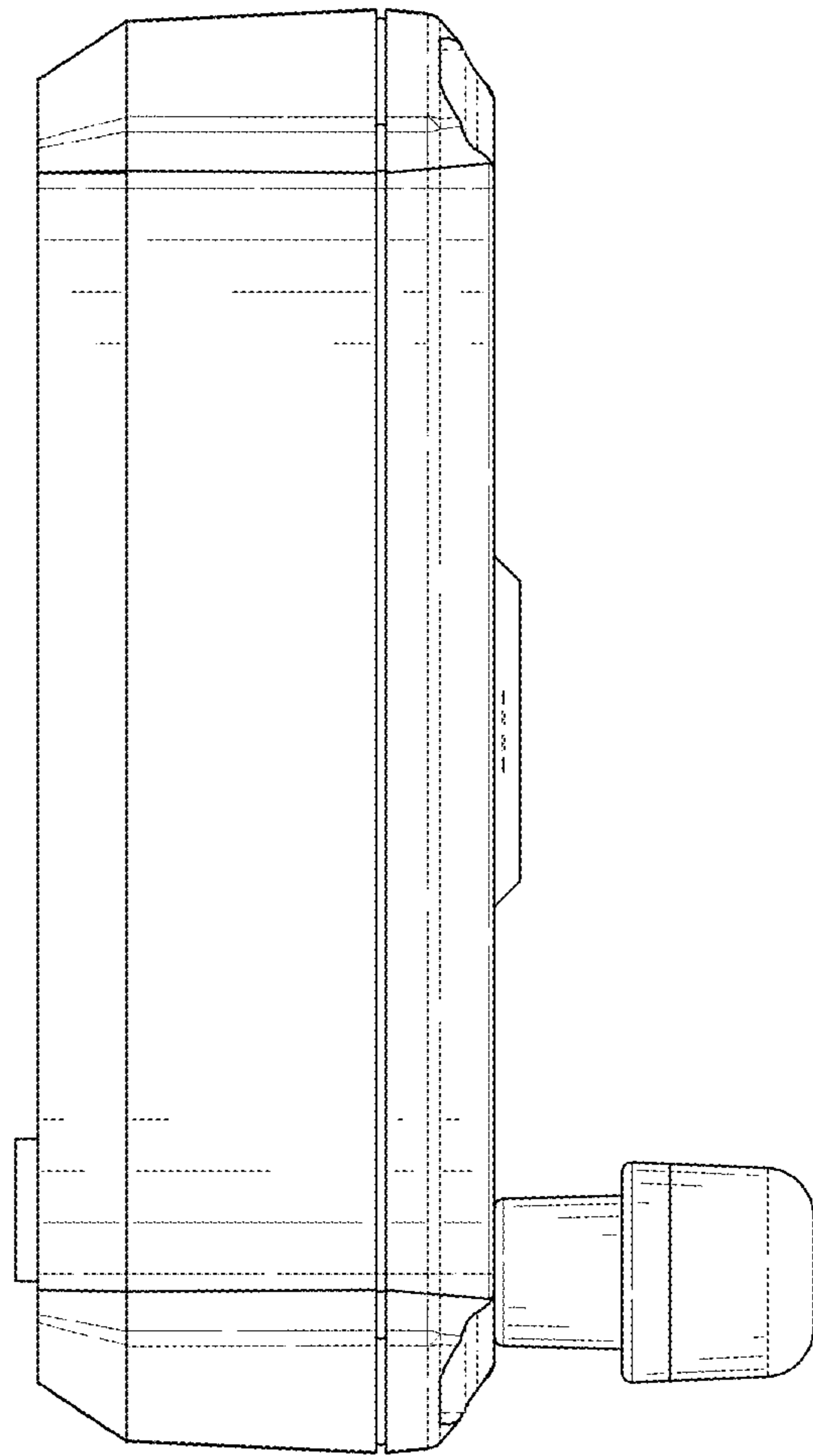


FIG. 6

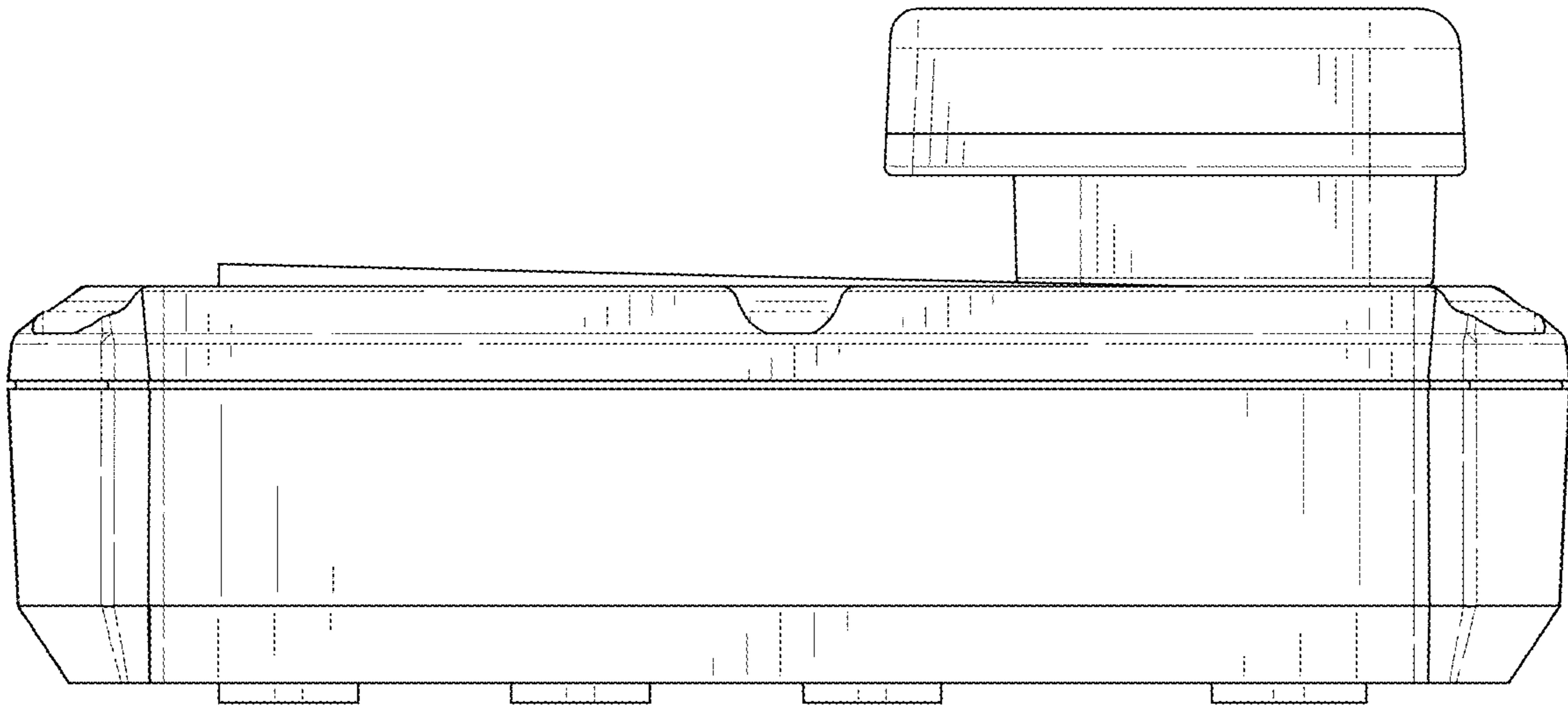


FIG. 7

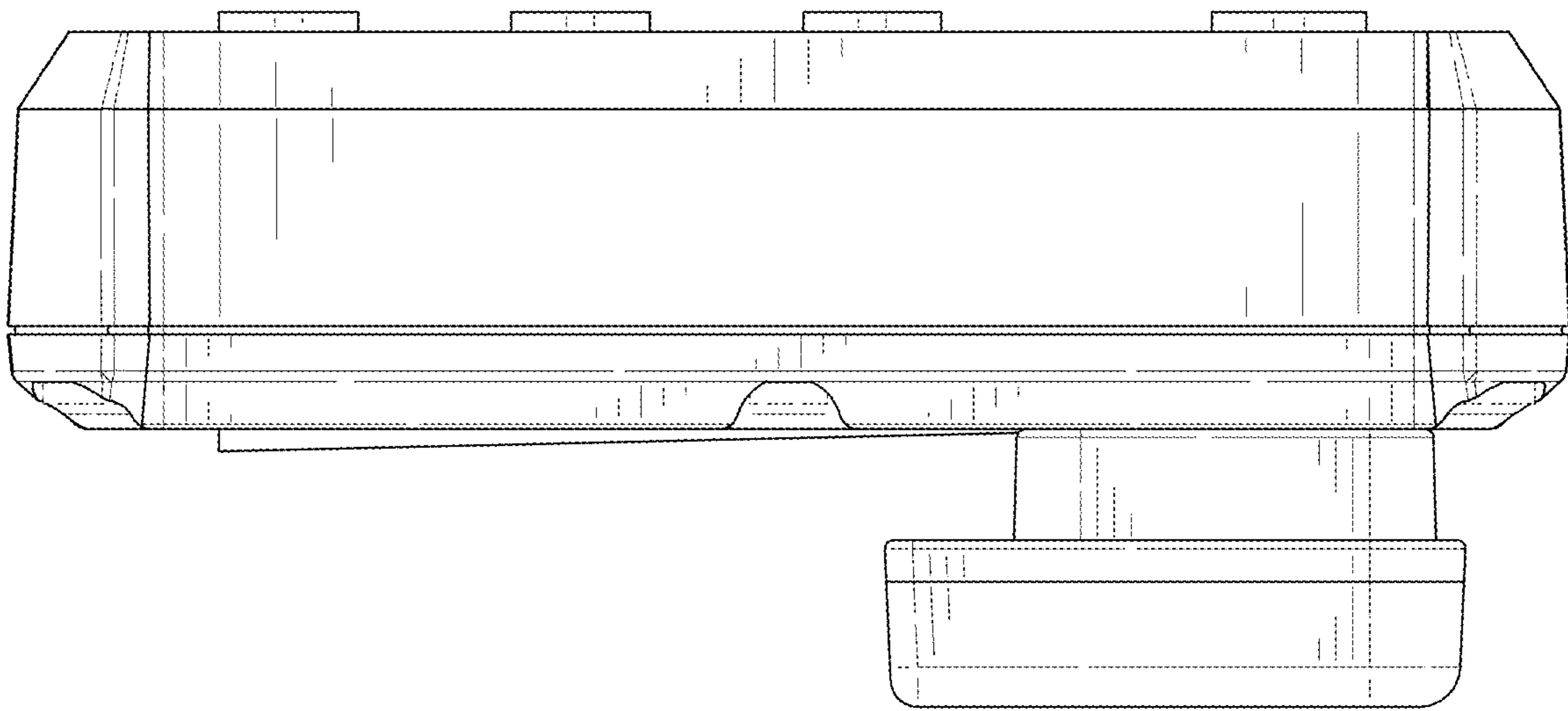


FIG. 8