



US00D951771S

(12) **United States Design Patent**
Paiji et al.

(10) **Patent No.:** **US D951,771 S**

(45) **Date of Patent:** **** May 17, 2022**

(54) **SPRAY BOTTLE**

(71) Applicant: **One Home Brands, Inc.**, New York, NY (US)

(72) Inventors: **Sarah Lee Paiji**, New York, NY (US);
Lucas Lerman Lappe, New York, NY (US); **Arthur Kenzo Debaigue**, San Francisco, CA (US)

(73) Assignee: **ONE HOME BRANDS, INC.**, New York, NY (US)

(**) Term: **15 Years**

(21) Appl. No.: **29/680,873**

(22) Filed: **Feb. 20, 2019**

(51) **LOC (13) Cl.** **09-01**

(52) **U.S. Cl.**
USPC **D9/500**

(58) **Field of Classification Search**
USPC D9/434-435, 447-448, 454, 500,
D9/503-504, 516, 520, 545, 549, 558,
D9/682, 685, 691, 715, 719;
D7/509-511, 523, 608
CPC B65D 1/00; B65D 1/02; B65D 1/0223;
B65D 2501/00; B65D 2501/0009
See application file for complete search history.

(56) **References Cited**

U.S. PATENT DOCUMENTS

D636,272 S * 4/2011 Pearson D9/685
D641,251 S * 7/2011 Pearson D9/685

D676,760 S * 2/2013 Baranowski D9/685
D688,562 S * 8/2013 Baranowski D9/685
D740,665 S * 10/2015 Becker D9/516
D783,410 S * 4/2017 Bertaux D9/690
D803,689 S * 11/2017 Arregui Letamendi D9/500
D877,571 S * 3/2020 Eyal D7/532
D907,438 S * 1/2021 Sakamoto D7/507

* cited by examiner

Primary Examiner — Dana Meyrow

(74) *Attorney, Agent, or Firm* — McDermott Will & Emery LLP

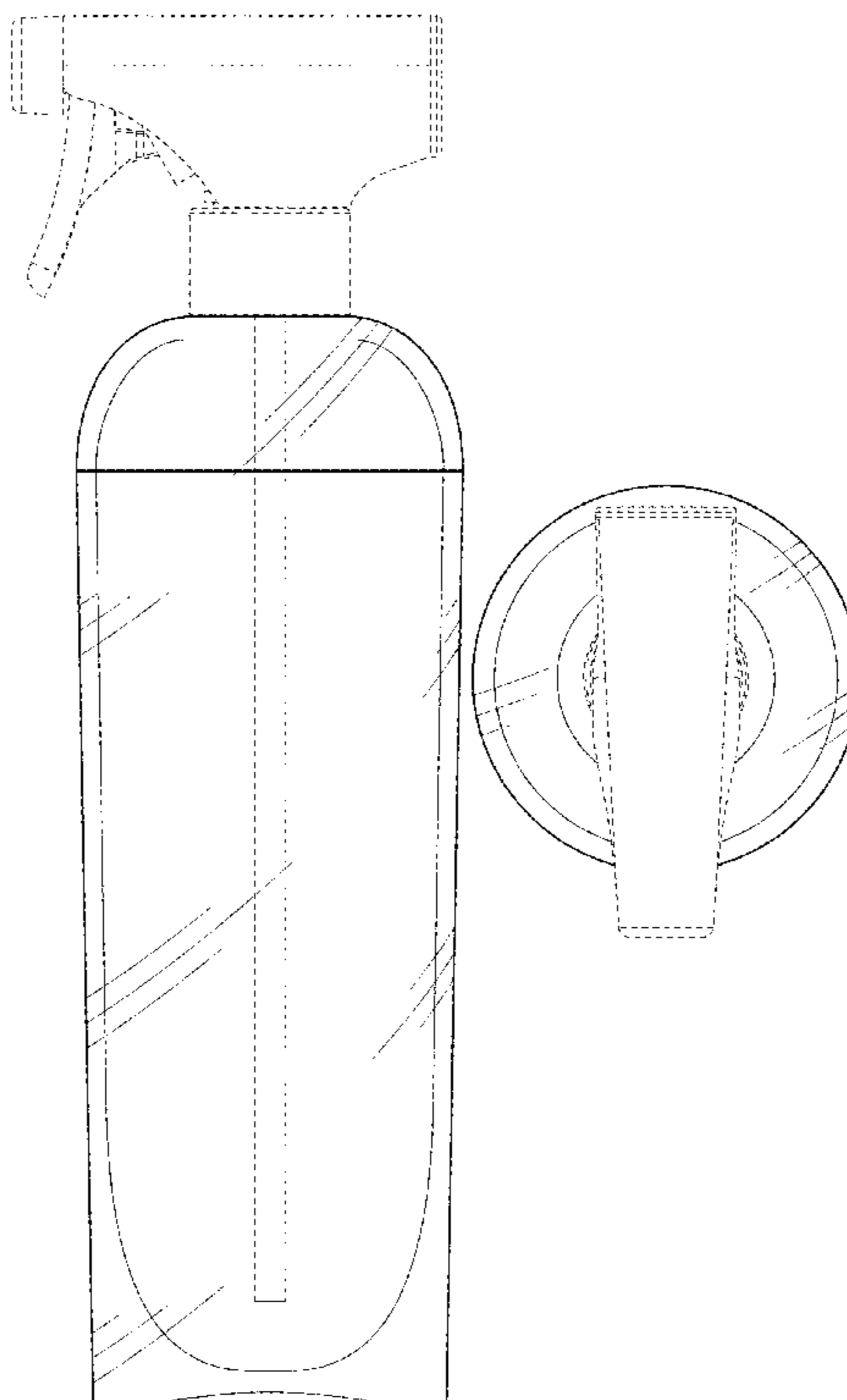
(57) **CLAIM**

The ornamental design for a spray bottle, as shown and described.

DESCRIPTION

FIG. 1 is a perspective view of a spray bottle showing our new design;
FIG. 2 is a front view thereof, shown at an enlarged scale;
FIG. 3 is a rear elevation view thereof;
FIG. 4 is a left side elevation view thereof;
FIG. 5 is a right side elevation view thereof;
FIG. 6 is a top plan view thereof; and,
FIG. 7 is a bottom plan view thereof.
The broken lines in the Figures show portions of the spray bottle which form no part of the claimed design.

1 Claim, 6 Drawing Sheets



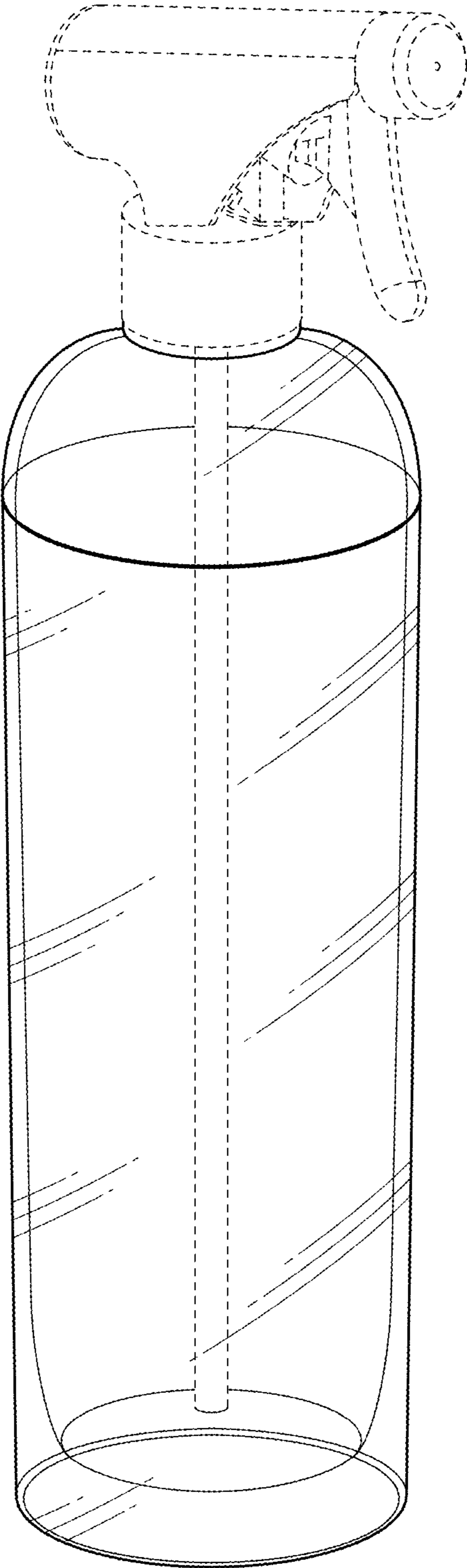


FIG. 1

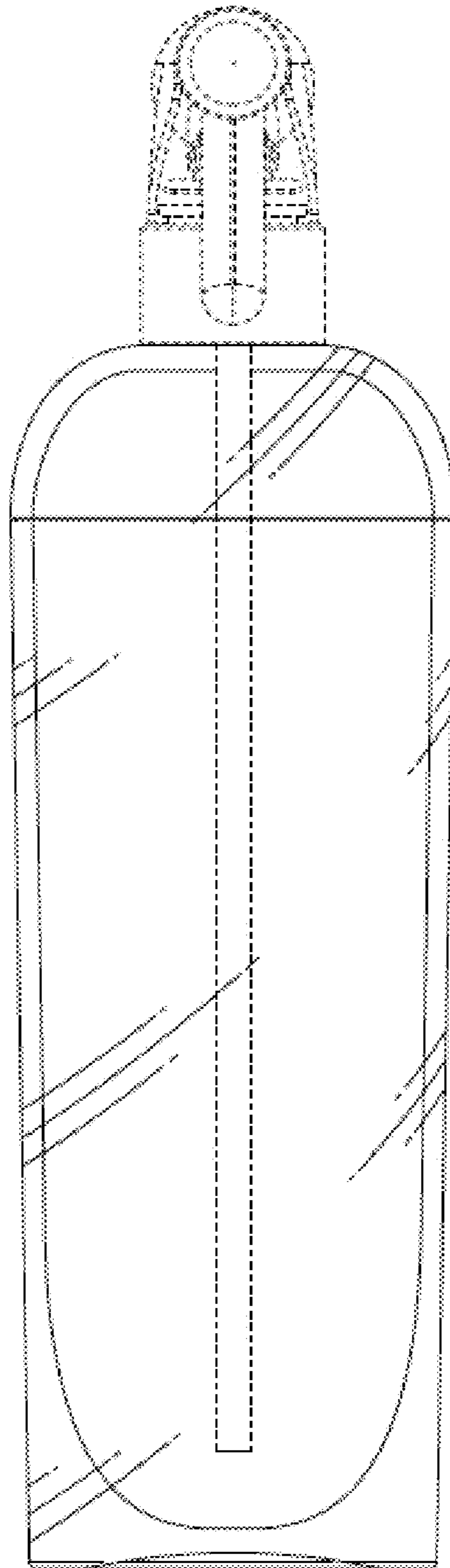


FIG. 2

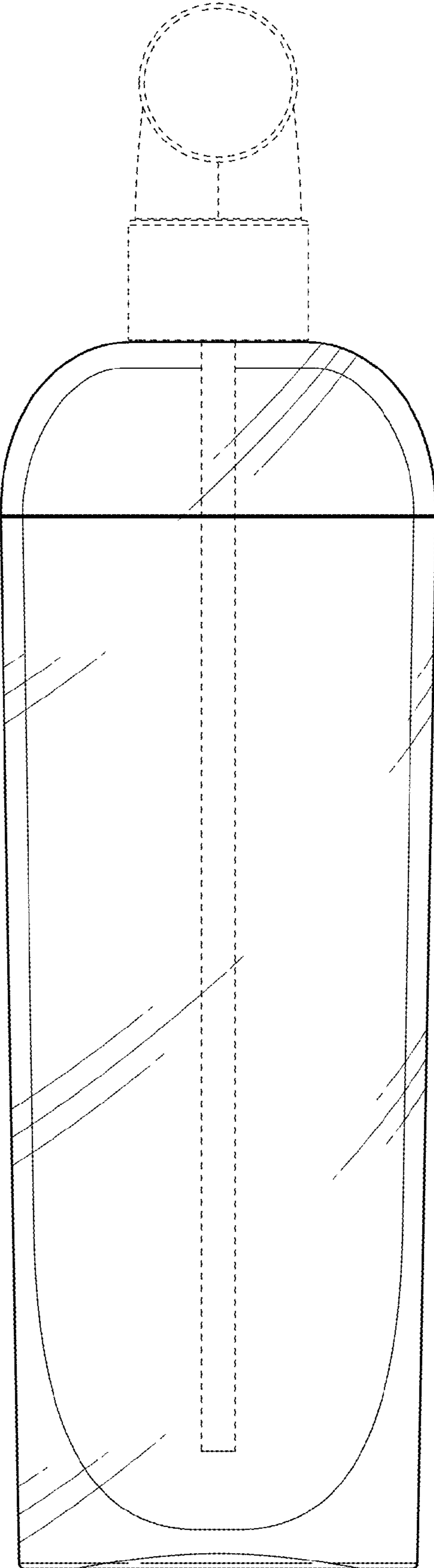


FIG. 3

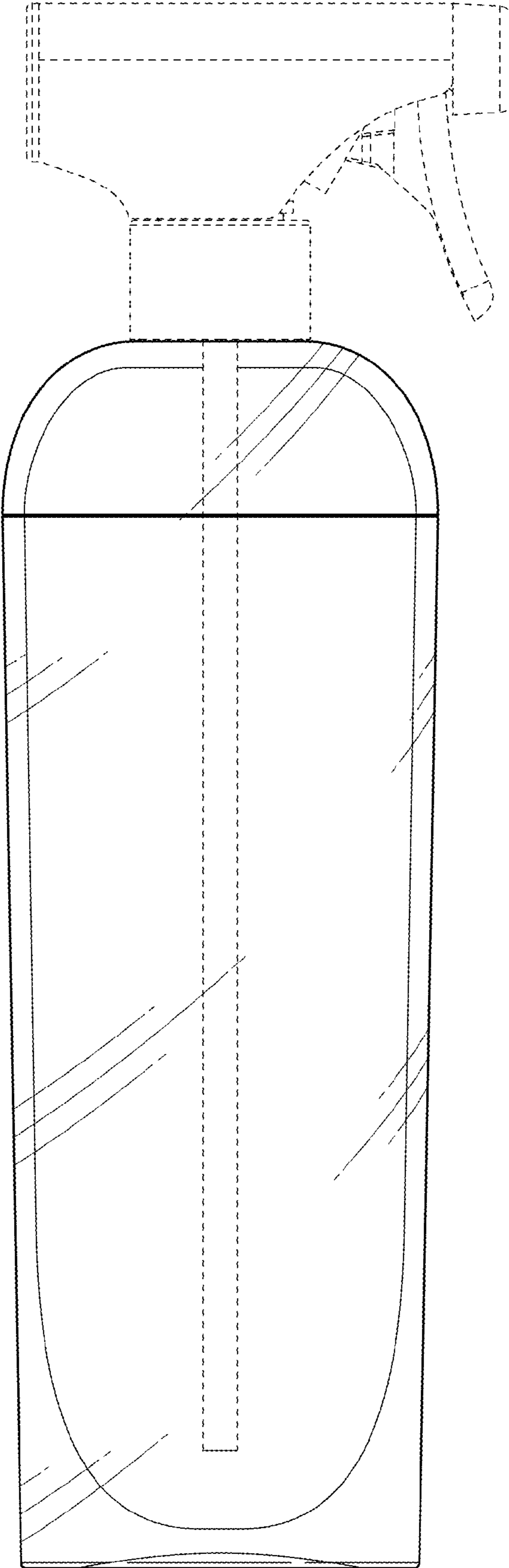


FIG. 4

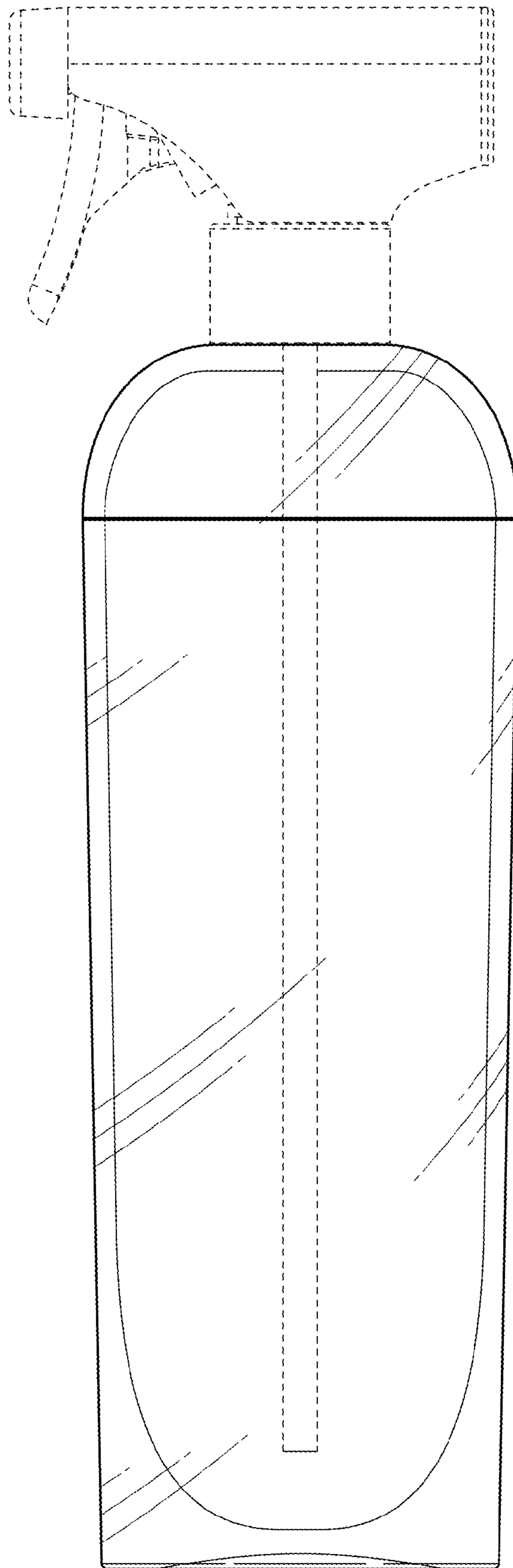


FIG. 5

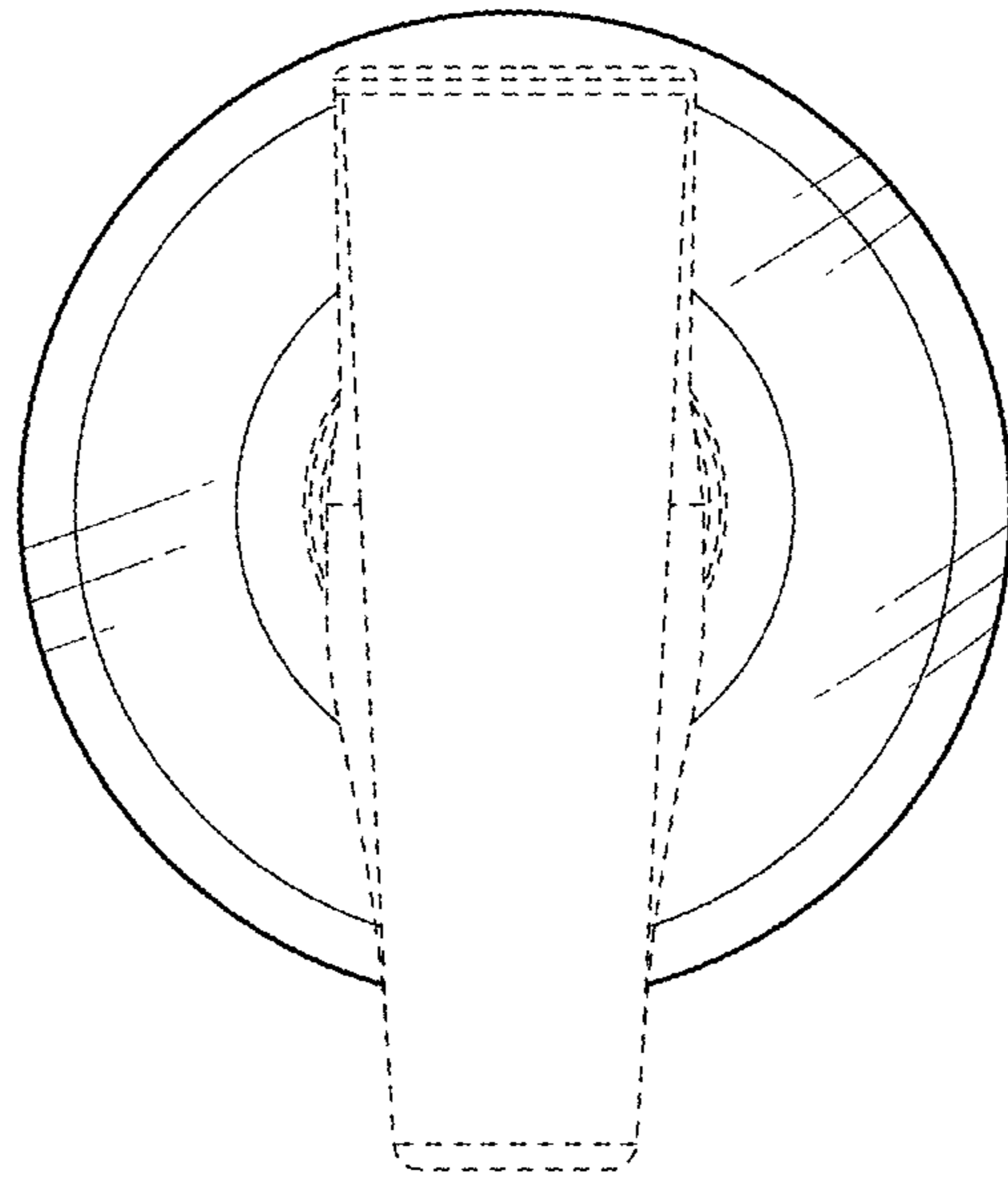


FIG. 6

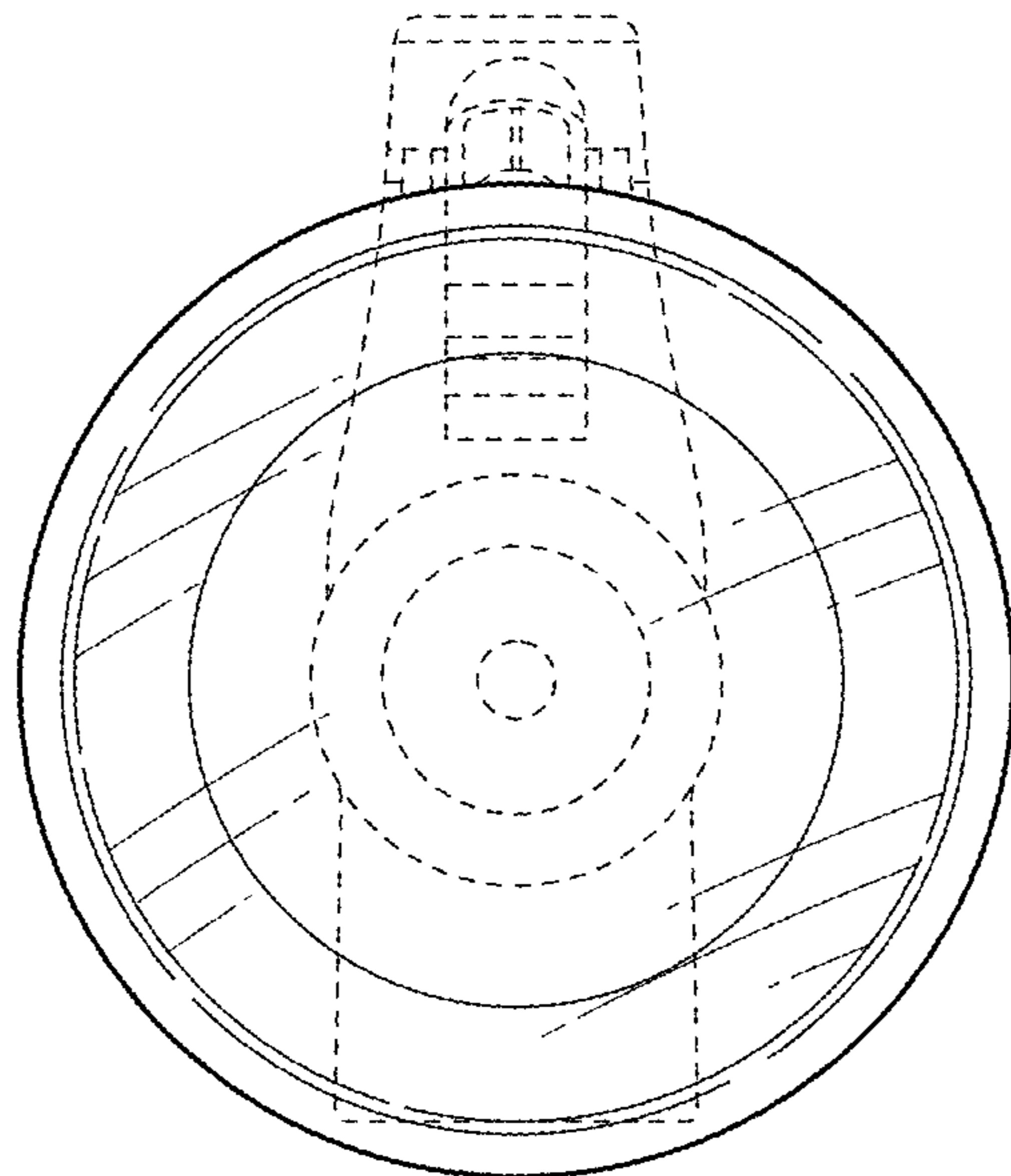


FIG. 7