



US00D951767S

(12) **United States Design Patent** (10) **Patent No.:** **US D951,767 S**
Sill et al. (45) **Date of Patent:** **** *May 17, 2022**

- (54) **CARTON**
- (71) Applicant: **Inno-Pak, LLC**, Delaware, OH (US)
- (72) Inventors: **Jonathan D. Sill**, Delaware, OH (US);
Steven A. Mayer, Indianapolis, IN (US)
- (73) Assignee: **Inno-Pak, LLC**, Delaware, OH (US)
- (*) Notice: This patent is subject to a terminal disclaimer.
- (**) Term: **15 Years**
- (21) Appl. No.: **29/722,930**
- (22) Filed: **Feb. 3, 2020**

Related U.S. Application Data

- (62) Division of application No. 29/655,774, filed on Jul. 6, 2018, now Pat. No. Des. 891,920.
- (51) **LOC (13) Cl.** **09-03**
- (52) **U.S. Cl.**
USPC **D9/432; D9/418; D9/737**
- (58) **Field of Classification Search**
USPC **D9/414-423, 430-433, 434, 455, 456, D9/721-722, 737, 756, 758, 759, 760; D8/403**

(Continued)

(56) **References Cited**

U.S. PATENT DOCUMENTS

2,222,211 A 11/1940 Arneson
D182,375 S 3/1958 Moore

(Continued)

OTHER PUBLICATIONS

Gable Box with handle. [online] Retrieved Aug. 7, 2020 from URL: <https://www.regaloprint.com/gable-packaging-box.html>.*

(Continued)

Primary Examiner — Vy N Koenig
(74) *Attorney, Agent, or Firm* — Ward and Smith, P.A.;
Ryan K. Simmons

(57) **CLAIM**
The ornamental design for a carton, as shown and described.

DESCRIPTION

FIG. 1 is a perspective view of a carton showing the new design;
 FIG. 2 is a front elevation view thereof;
 FIG. 3 is a rear elevation view thereof;
 FIG. 4 is a left side elevation view thereof;
 FIG. 5 is a right side elevation view thereof;
 FIG. 6 is a top plan view thereof;
 FIG. 7 is bottom plan view thereof;
 FIG. 8 is another bottom plan view of the carton of FIG. 1 showing an alternate embodiment;
 FIG. 9 is another perspective view of the carton of FIG. 1 shown in an open configuration;
 FIG. 10 is a front elevation view thereof;
 FIG. 11 is a rear elevation view thereof;
 FIG. 12 is a left side elevation view thereof;
 FIG. 13 is a right side elevation view thereof;
 FIG. 14 is a top plan view thereof;
 FIG. 15 is bottom plan view thereof;
 FIG. 16 is another perspective view of the carton of FIG. 1 shown in an alternate configuration;
 FIG. 17 is a front elevation view thereof;
 FIG. 18 is a rear elevation view thereof;
 FIG. 19 is a left side elevation view thereof;
 FIG. 20 is a right side elevation view thereof;
 FIG. 21 is a top plan view thereof;
 FIG. 22 is bottom plan view thereof;
 FIG. 23 is another perspective view of the carton of FIG. 16 showing a portion of an unclaimed container housed therein;
 FIG. 24 is another perspective view of the carton of FIG. 16 shown in an open configuration;
 FIG. 25 is a front elevation view thereof;
 FIG. 26 is a rear elevation view thereof;
 FIG. 27 is a left side elevation view thereof;
 FIG. 28 is a right side elevation view thereof;
 FIG. 29 is a top plan view thereof;

(Continued)

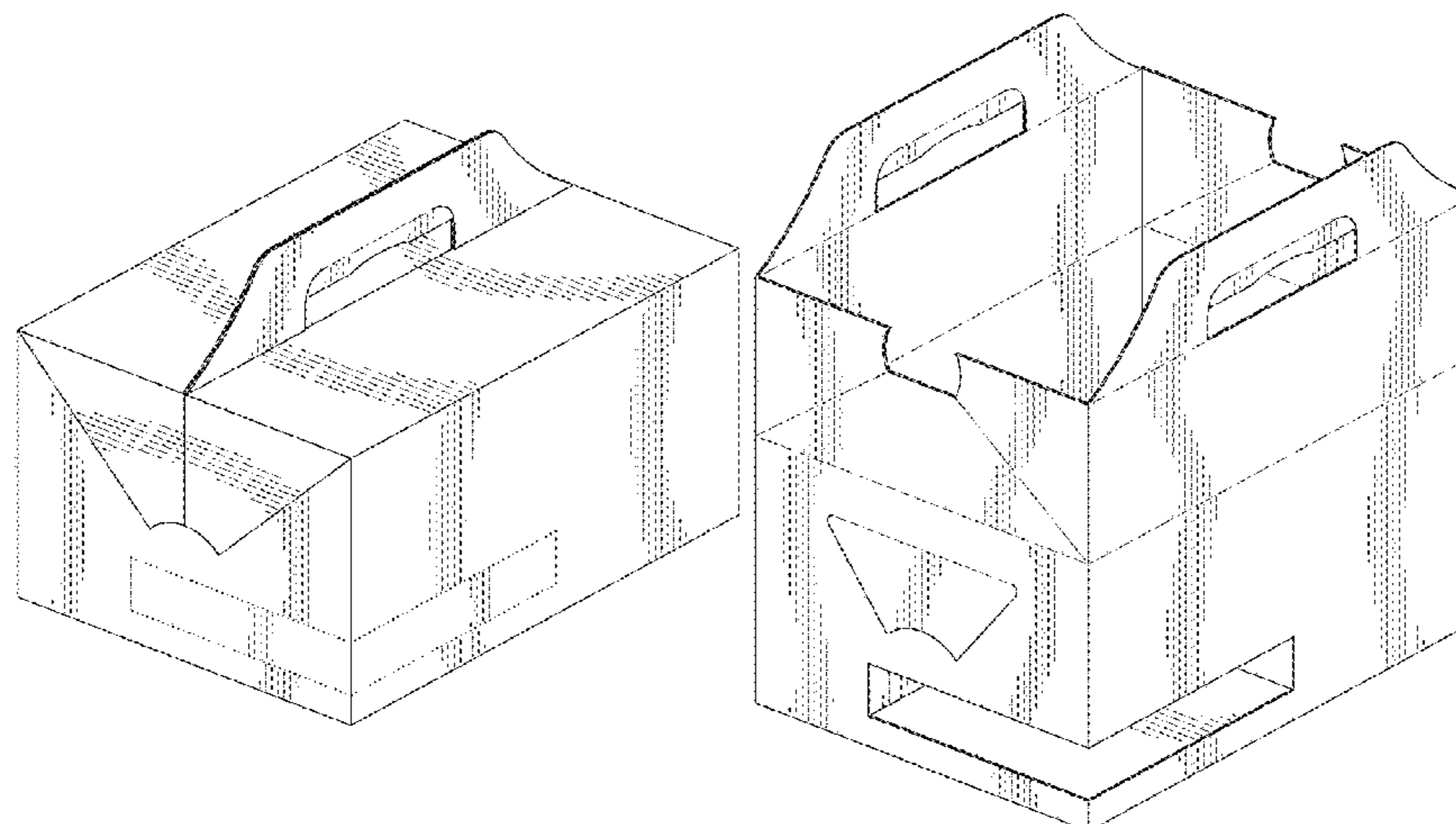


FIG. 30 is bottom plan view thereof; and, FIG. 31 is another perspective view of the carton of FIG. 24 showing a portion of an unclaimed container housed therein. In the Figures the dash-dash lines are for the purpose of illustrating environment and form no part of the claimed design, and the dot dot lines are for the purpose of illustrating perforations and form part of the claimed design.

1 Claim, 31 Drawing Sheets

(58) **Field of Classification Search**

CPC ... B65D 5/00; B65D 5/02; B65D 5/18; B65D 5/20

See application file for complete search history.

(56) **References Cited**

U.S. PATENT DOCUMENTS

D242,901 S	1/1977	Lohrbach	
D259,175 S	5/1981	Austin, Jr.	
4,601,390 A	7/1986	Rosenthal et al.	
D346,738 S	5/1994	Kinigakis	
5,392,984 A	2/1995	Yocum	
D385,187 S *	10/1997	Loft	D9/415
6,036,085 A	3/2000	Tsao	
D442,859 S *	5/2001	Hirschey	D9/418
6,230,882 B1 *	5/2001	Wischusen, III	B65D 71/004 206/183
D446,448 S	8/2001	Jernigan et al.	
D466,406 S	12/2002	Solland	
D466,804 S	12/2002	Solland	
D488,062 S	4/2004	Shannon	
D567,079 S	4/2008	Fant	

D576,482 S	9/2008	DeBusk	
D600,547 S	9/2009	Cain	
D622,139 S *	8/2010	Marcott	D9/418
D630,503 S	1/2011	Abdalkhani et al.	
D674,690 S *	1/2013	Sill	D9/431
D679,950 S	4/2013	Cooper	
D693,217 S *	11/2013	Sill	D9/418
D702,546 S	4/2014	McAdam	
D744,825 S	12/2015	Johansen	
9,309,034 B2 *	4/2016	Paredes	B65D 71/36
D789,783 S	6/2017	DeBusk	
D795,687 S	8/2017	Pollock	
D798,142 S	9/2017	Falcon et al.	
D835,982 S	12/2018	Mayer	
D845,760 S	4/2019	Oliveira	
D846,982 S	4/2019	Horne	
10,322,840 B2	6/2019	Angulo et al.	
D855,453 S	8/2019	Meyer et al.	
D863,950 S	10/2019	Chilton	
D867,125 S	11/2019	Sill et al.	
D891,920 S *	8/2020	Sill	D9/432

OTHER PUBLICATIONS

Amazon, "Paperboard 4 Corner 11"x6 3/4"x2 3/4" Food and Drink Stadium/Theater Strap Tray/Carrier or Holder by MT Products (15 Pieces)", Available at <https://www.amazon.com/Paperboard-Stadium-Theater-MT-Products/dp/B074MLNQQ2>, accessed on Aug. 1, 2019, 6 pages.
 Fresh Flavor Carry Out, 2018 Inna-Pak online catalogue, www.innopak.com, p. 5.
 Sink Paper and Packaging, "02051-300 4-Cup Drink Carrier Handled Field Cont. 200/case", Available at <https://ddi.sinkpaper.com/productdetail2.aspx?dataid=888-02051-300>, accessed on Jul. 23, 2019, 1 page.

* cited by examiner

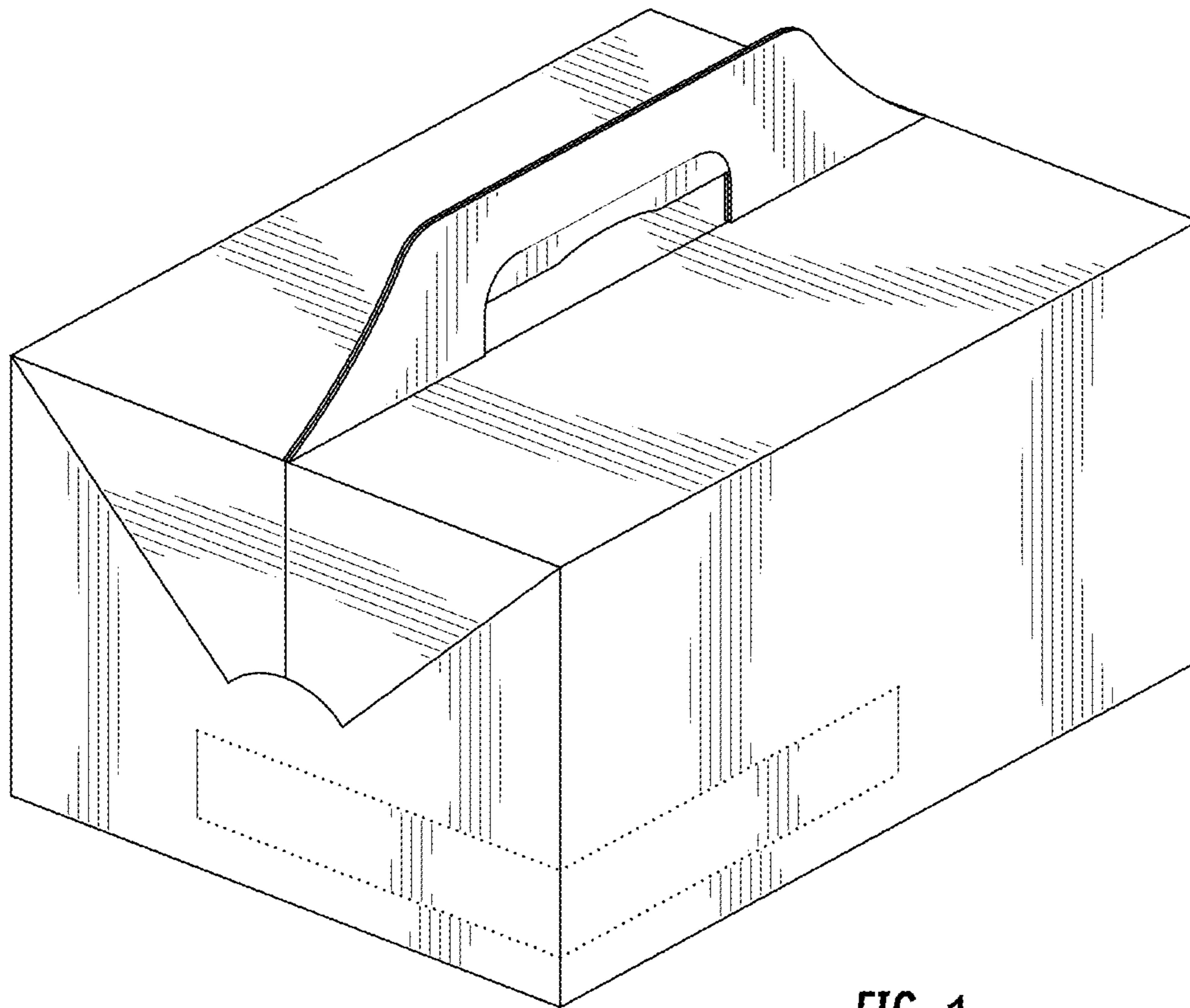


FIG. 1

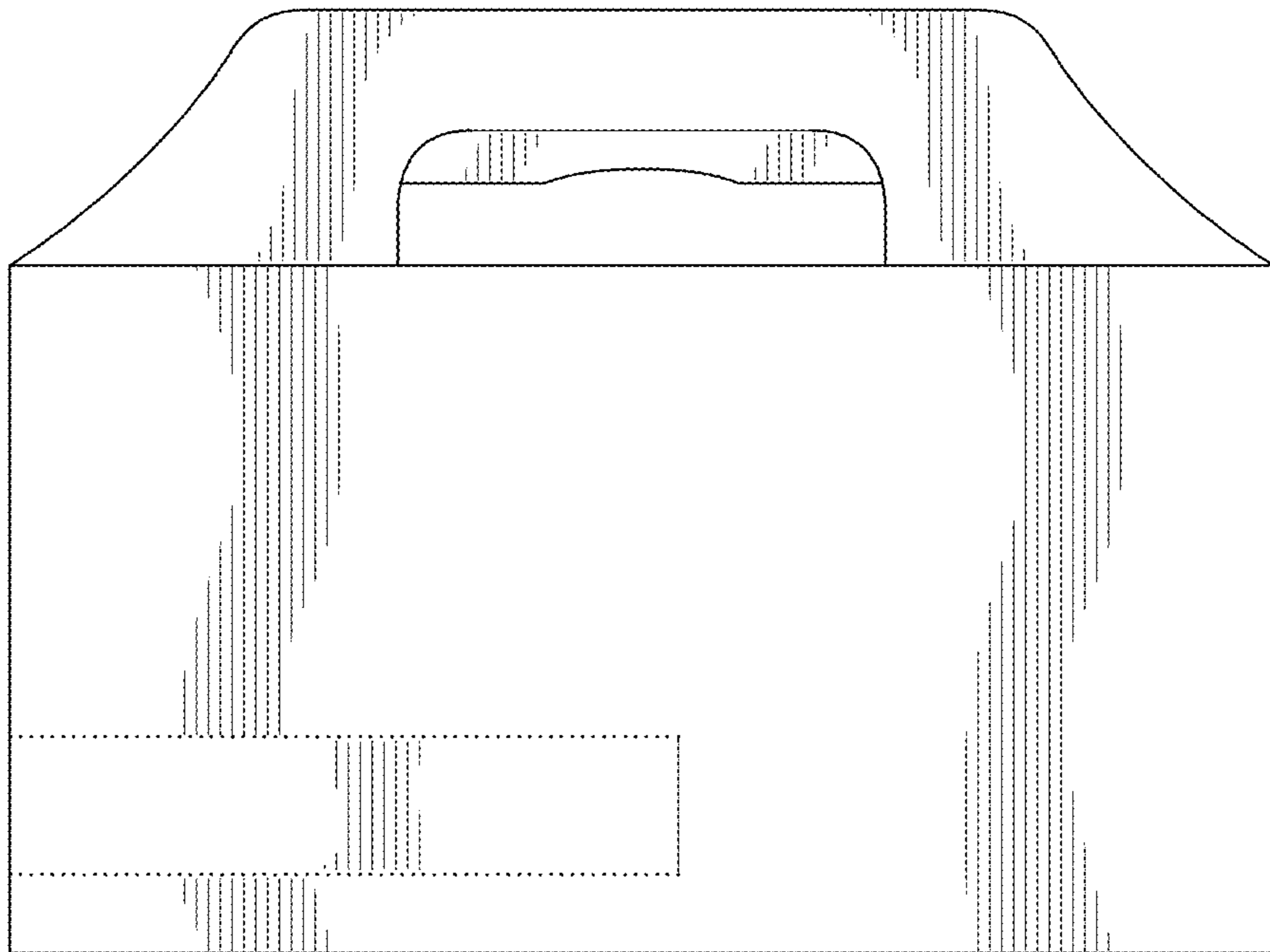


FIG. 2

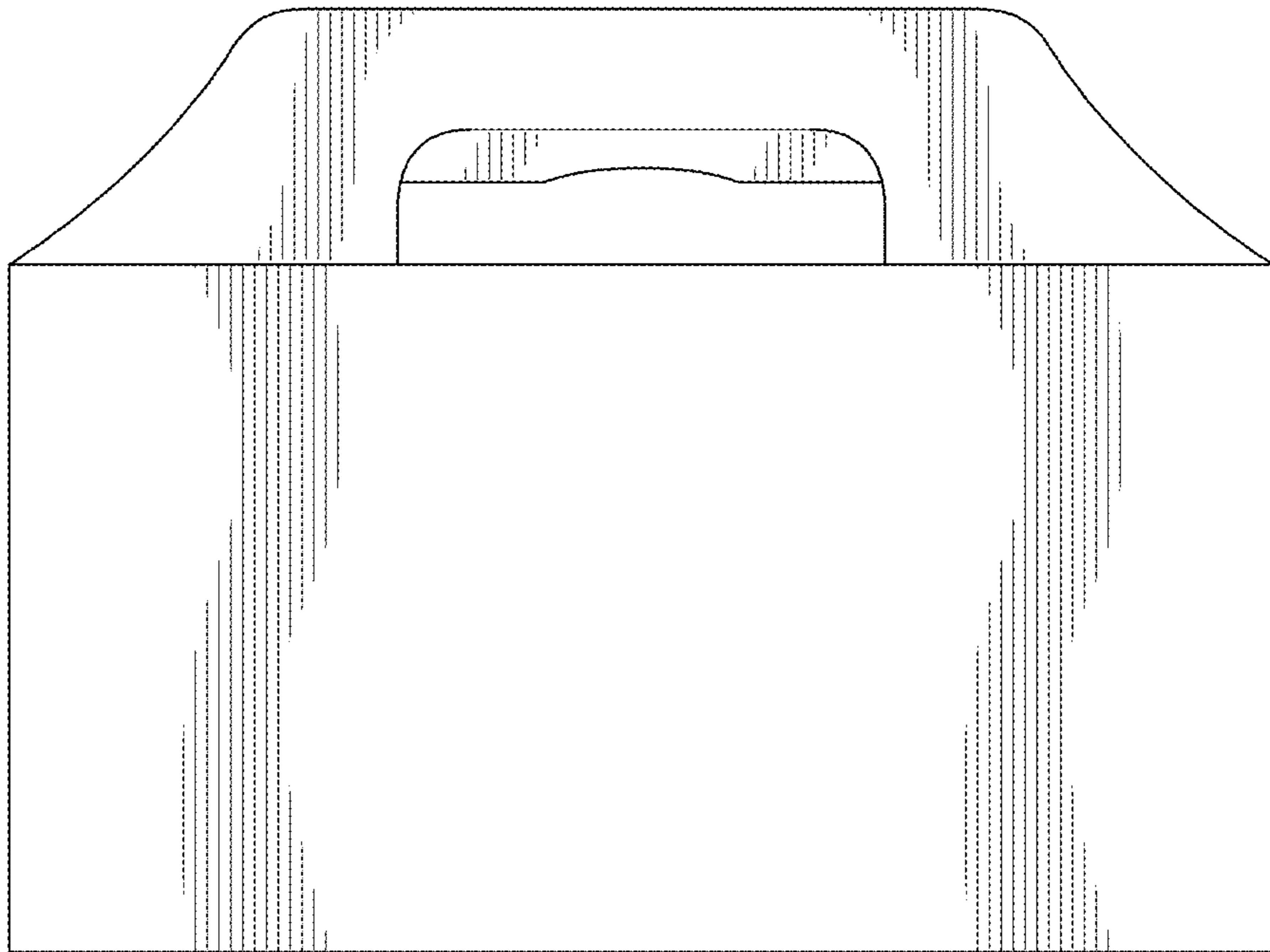


FIG. 3

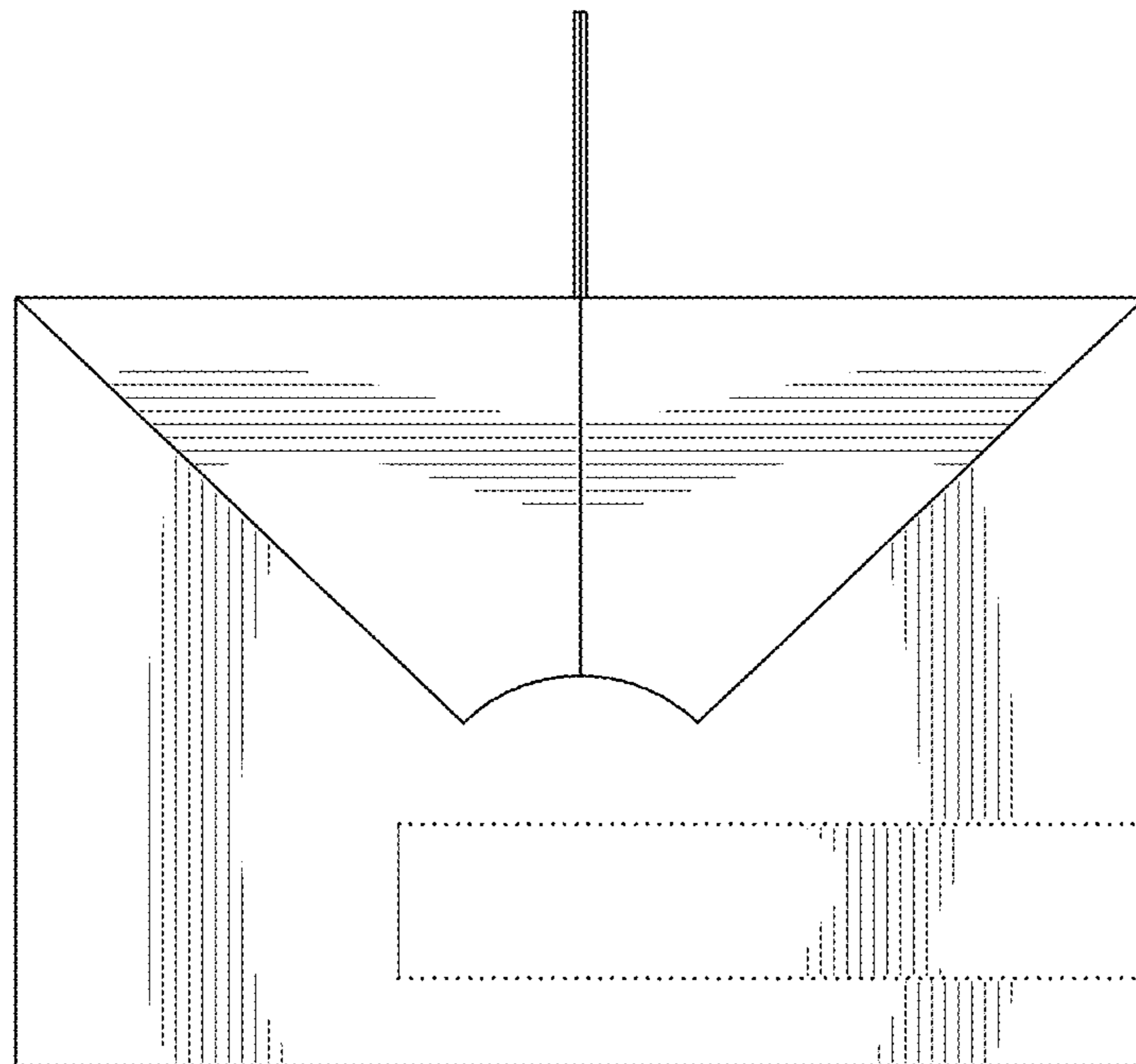


FIG. 4

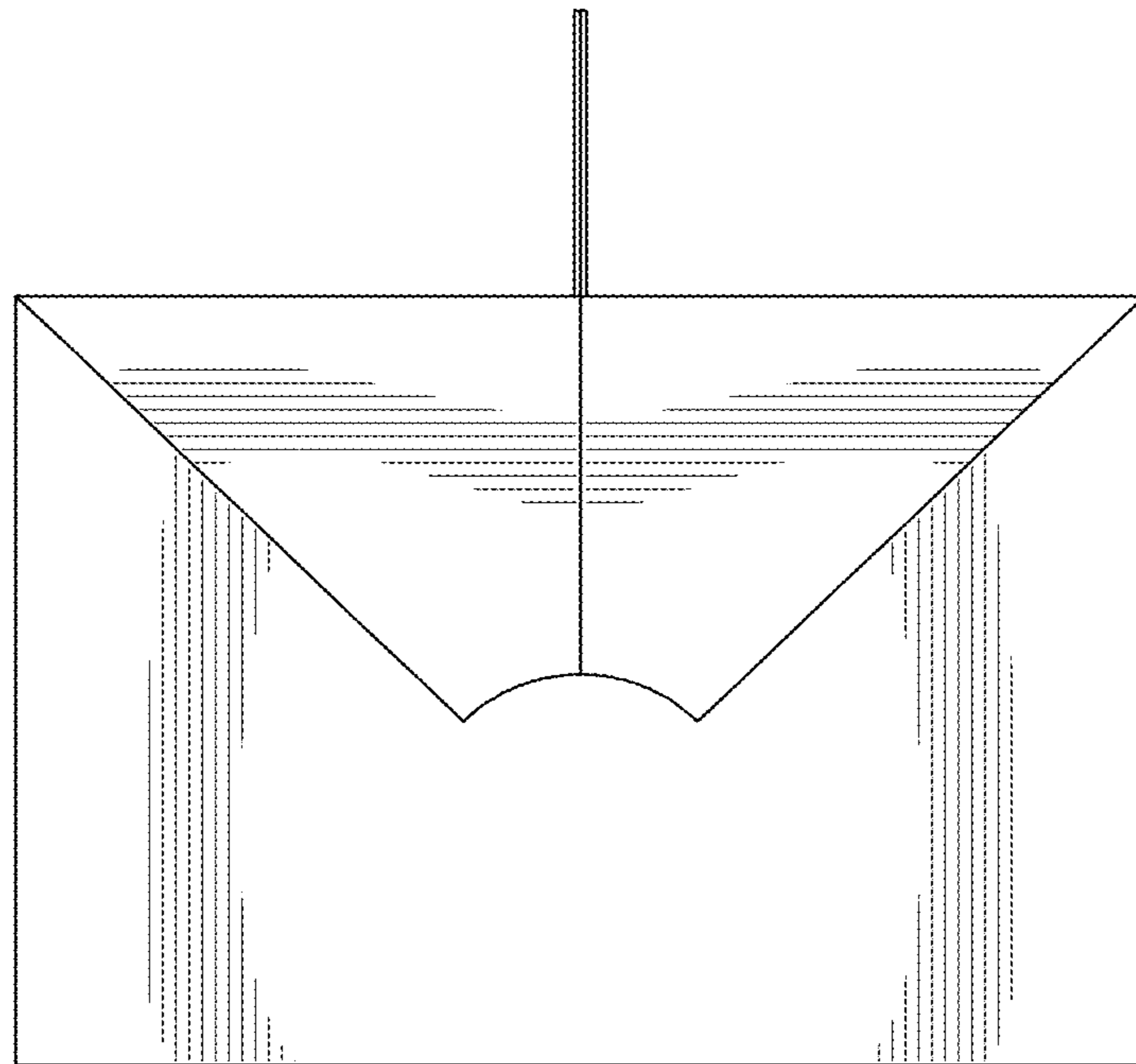


FIG. 5

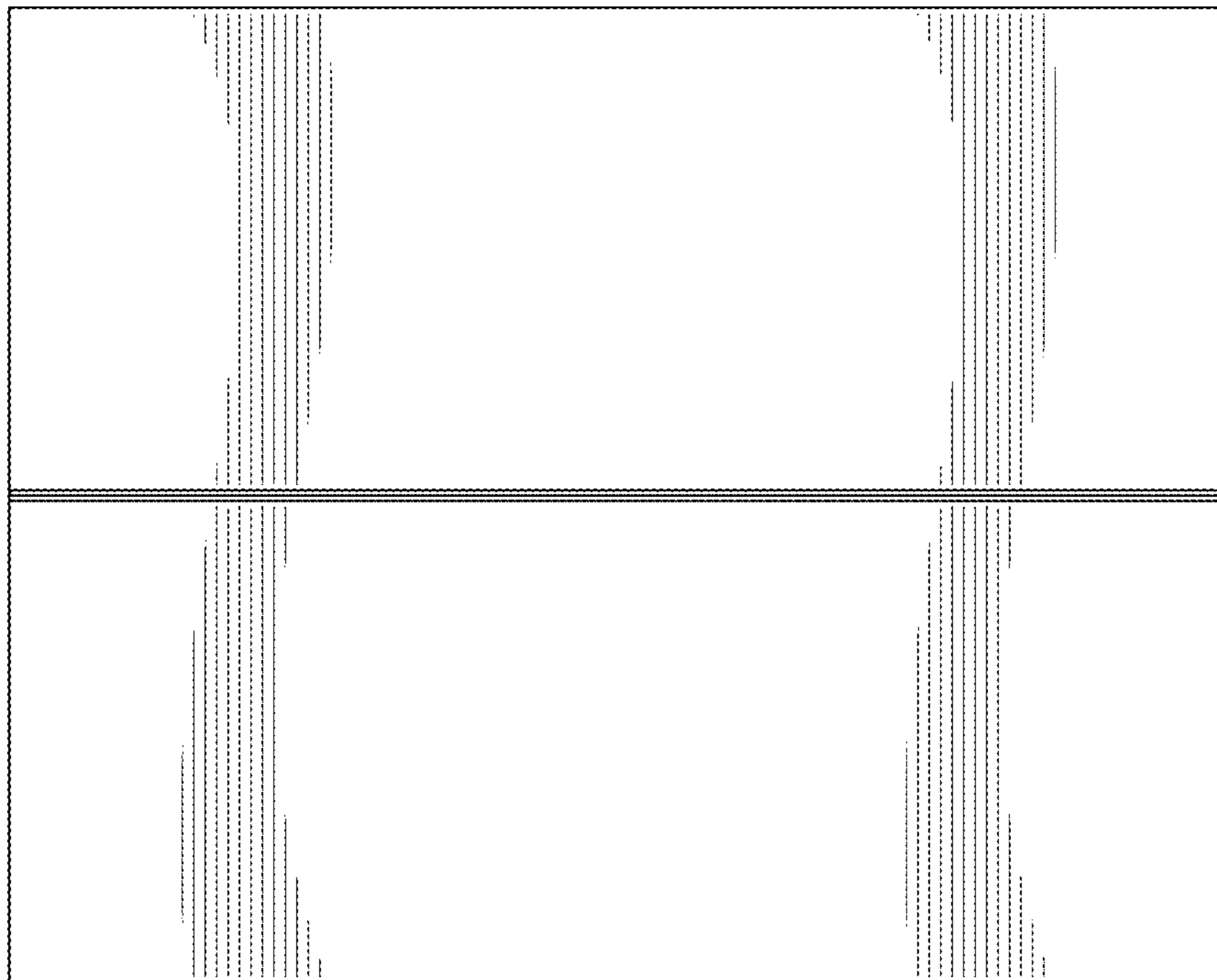


FIG. 6

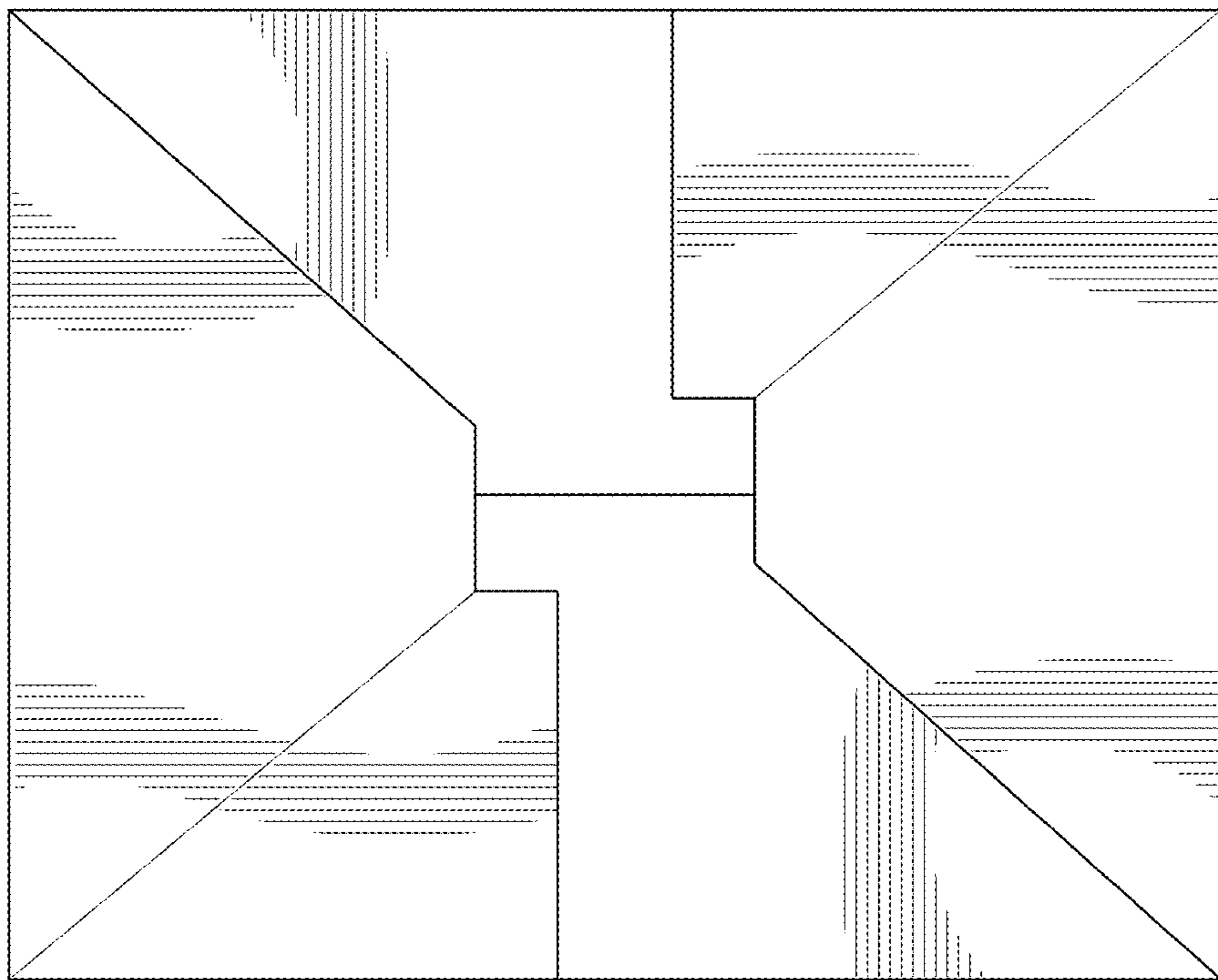


FIG. 7

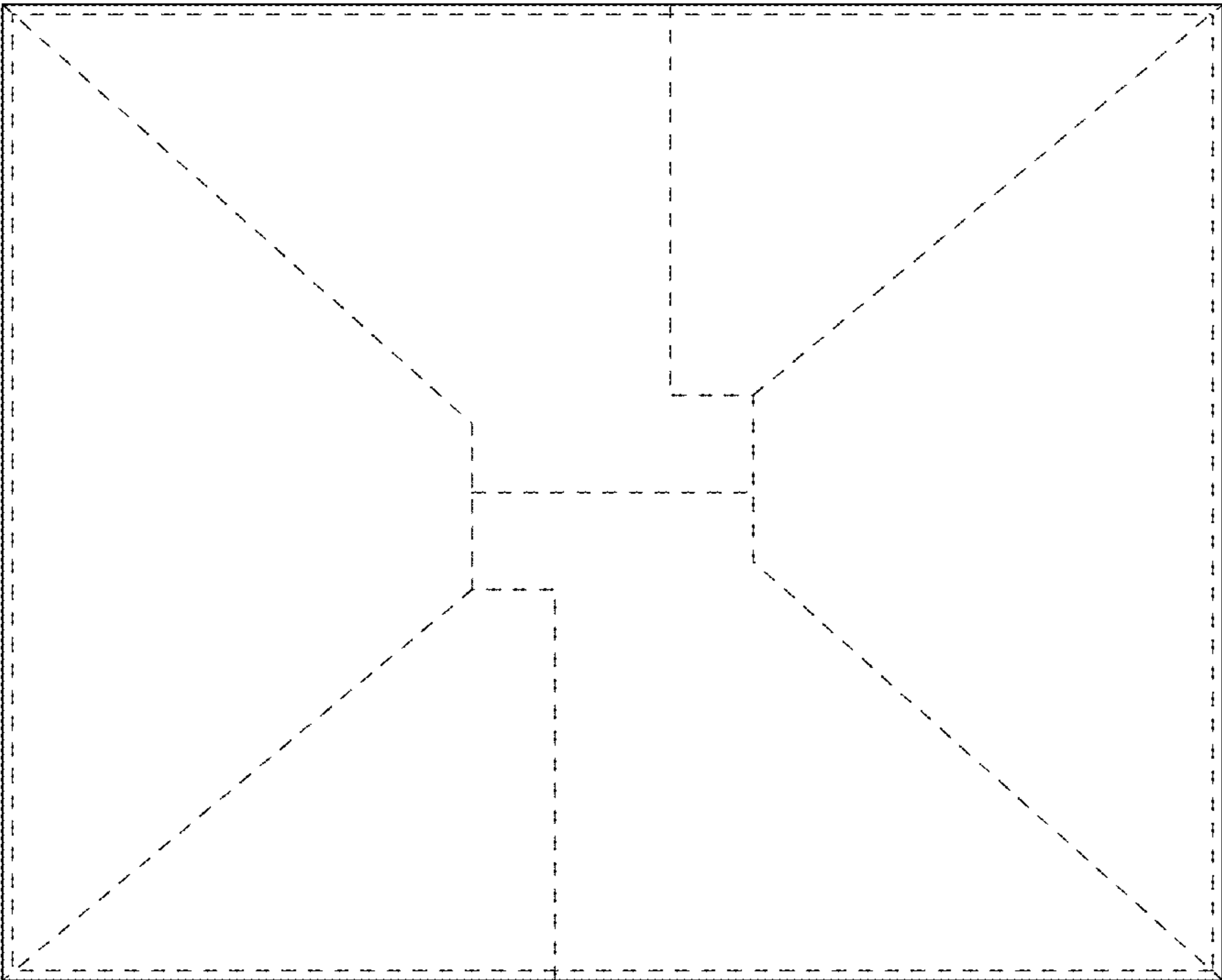


FIG. 8

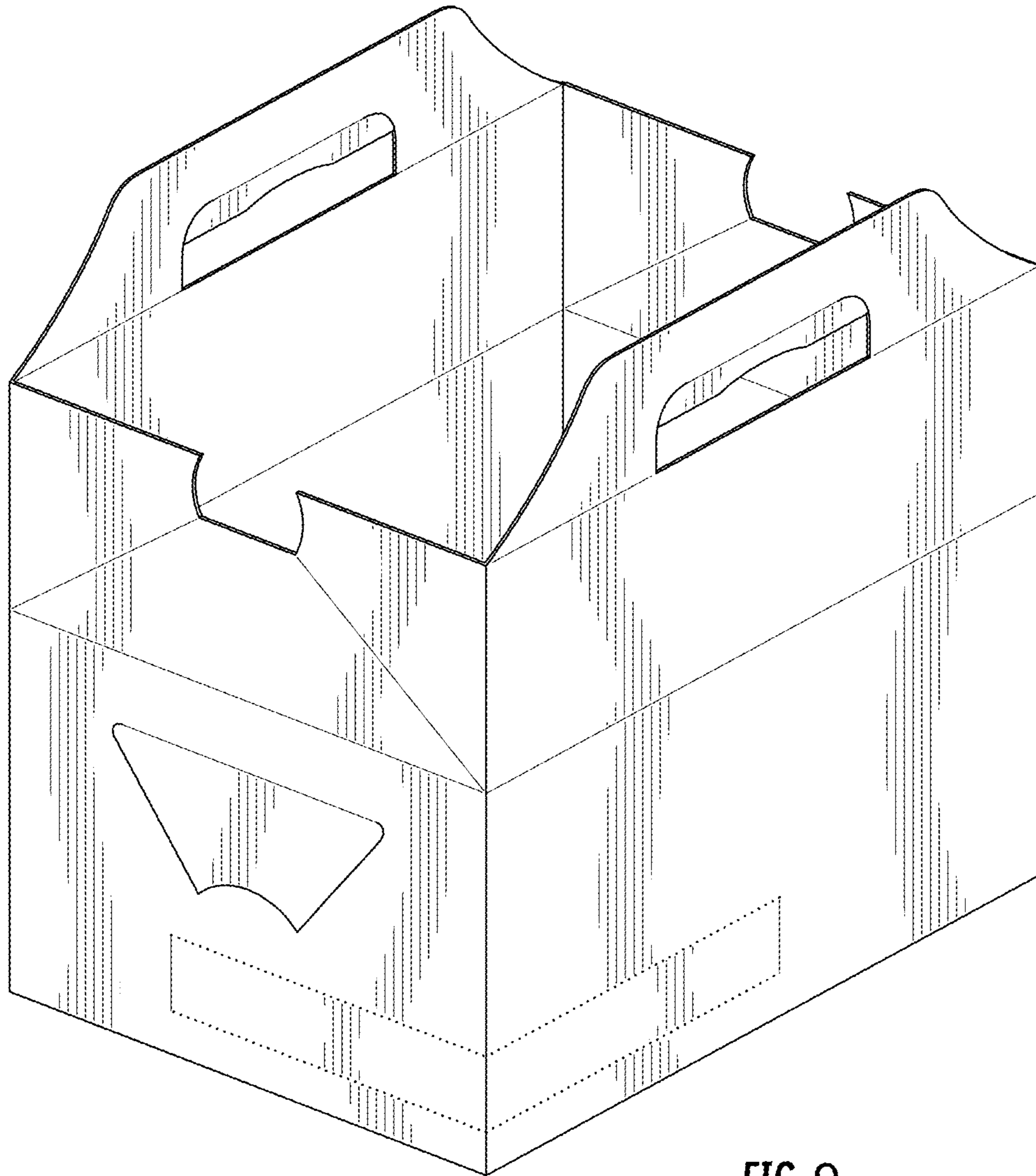


FIG. 9

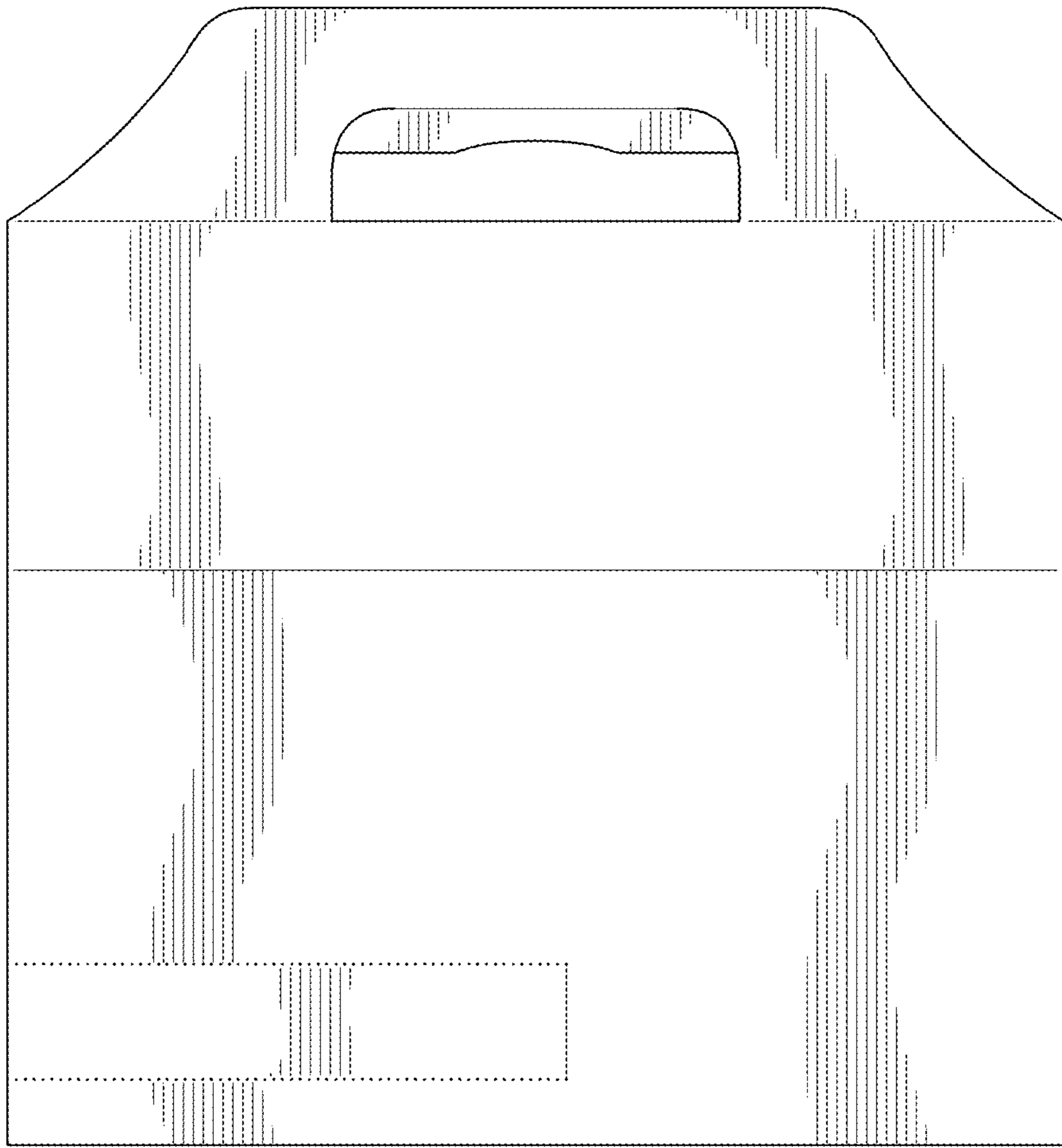


FIG. 10

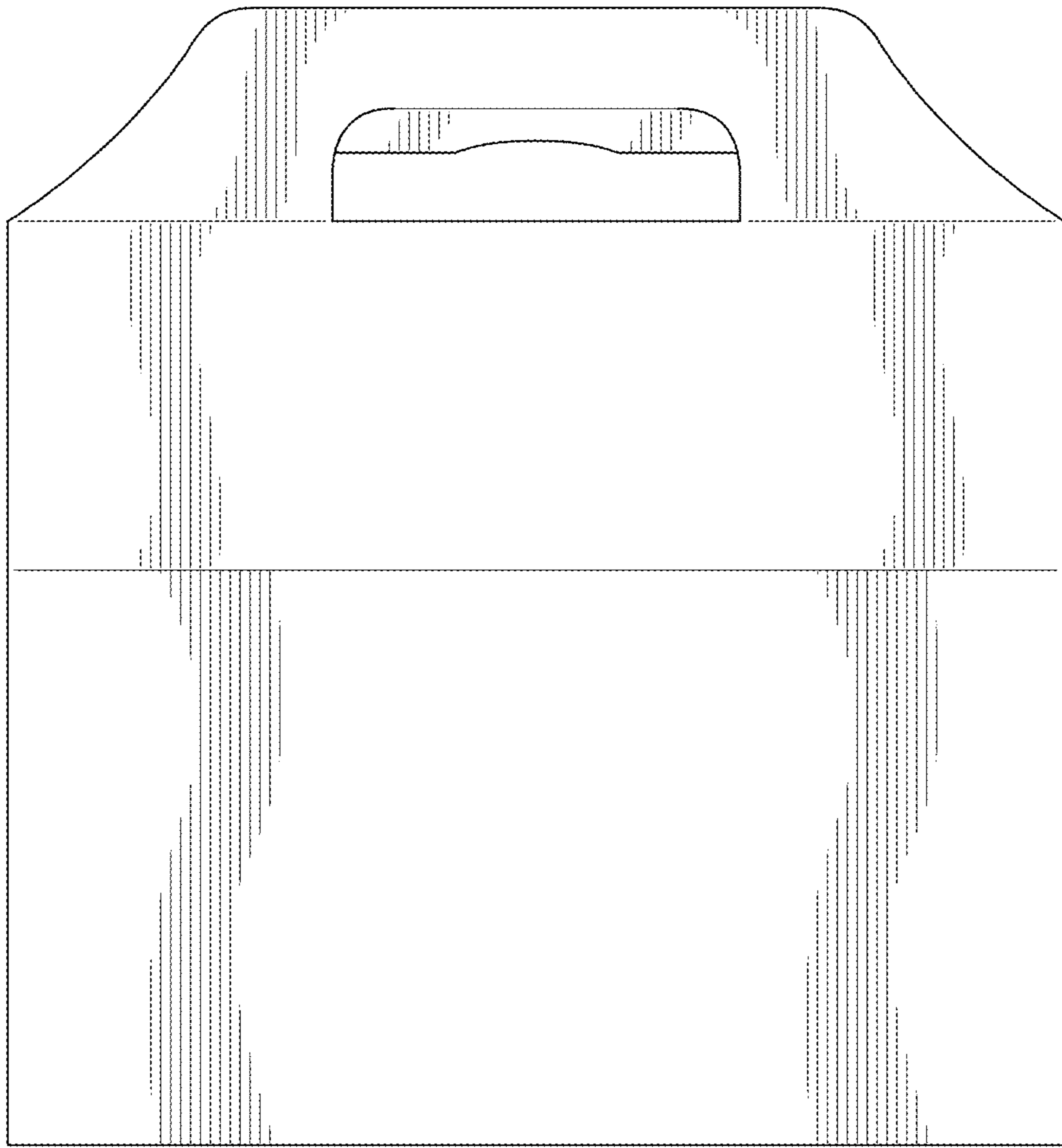


FIG. 11

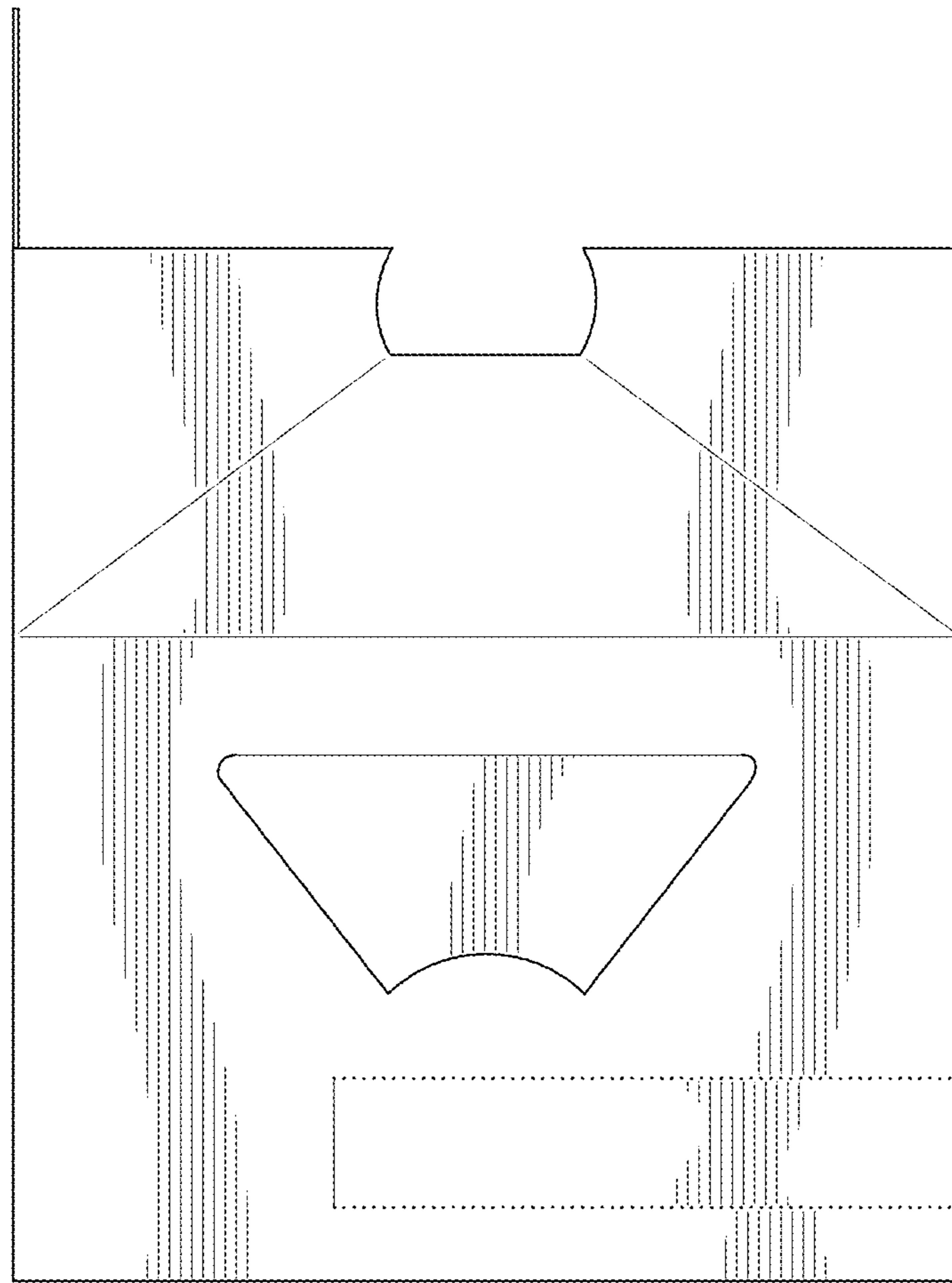


FIG. 12

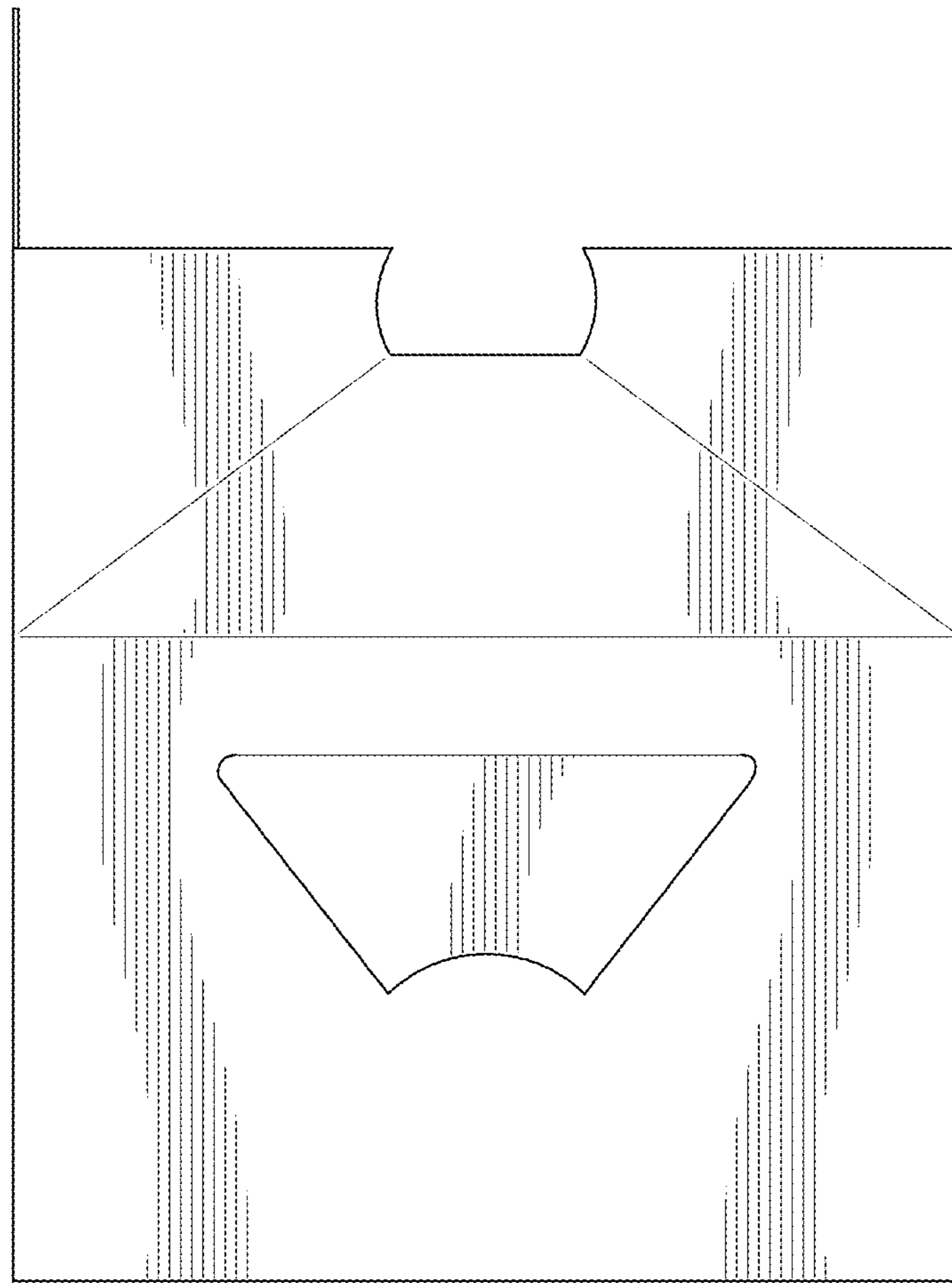


FIG. 13

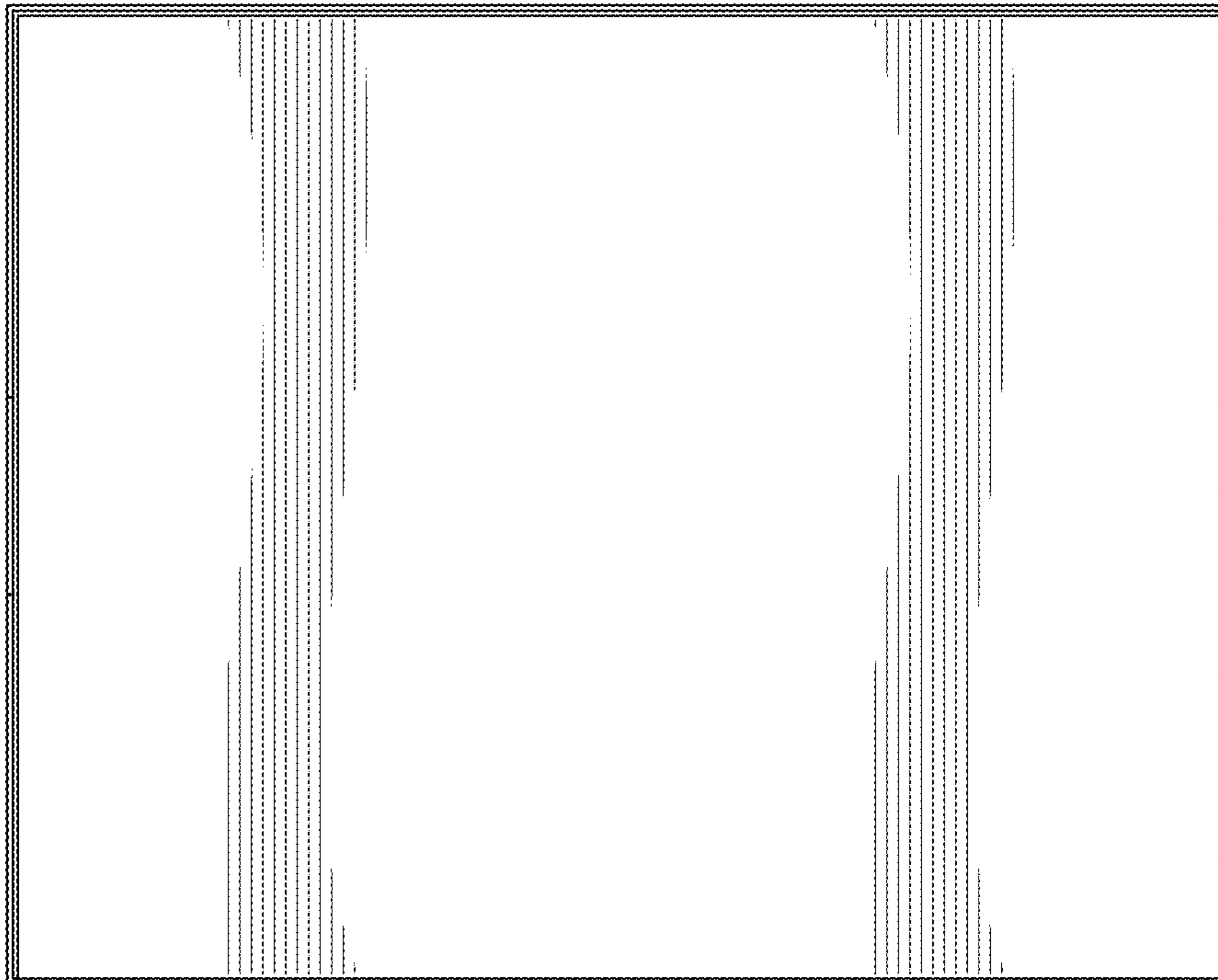


FIG. 14

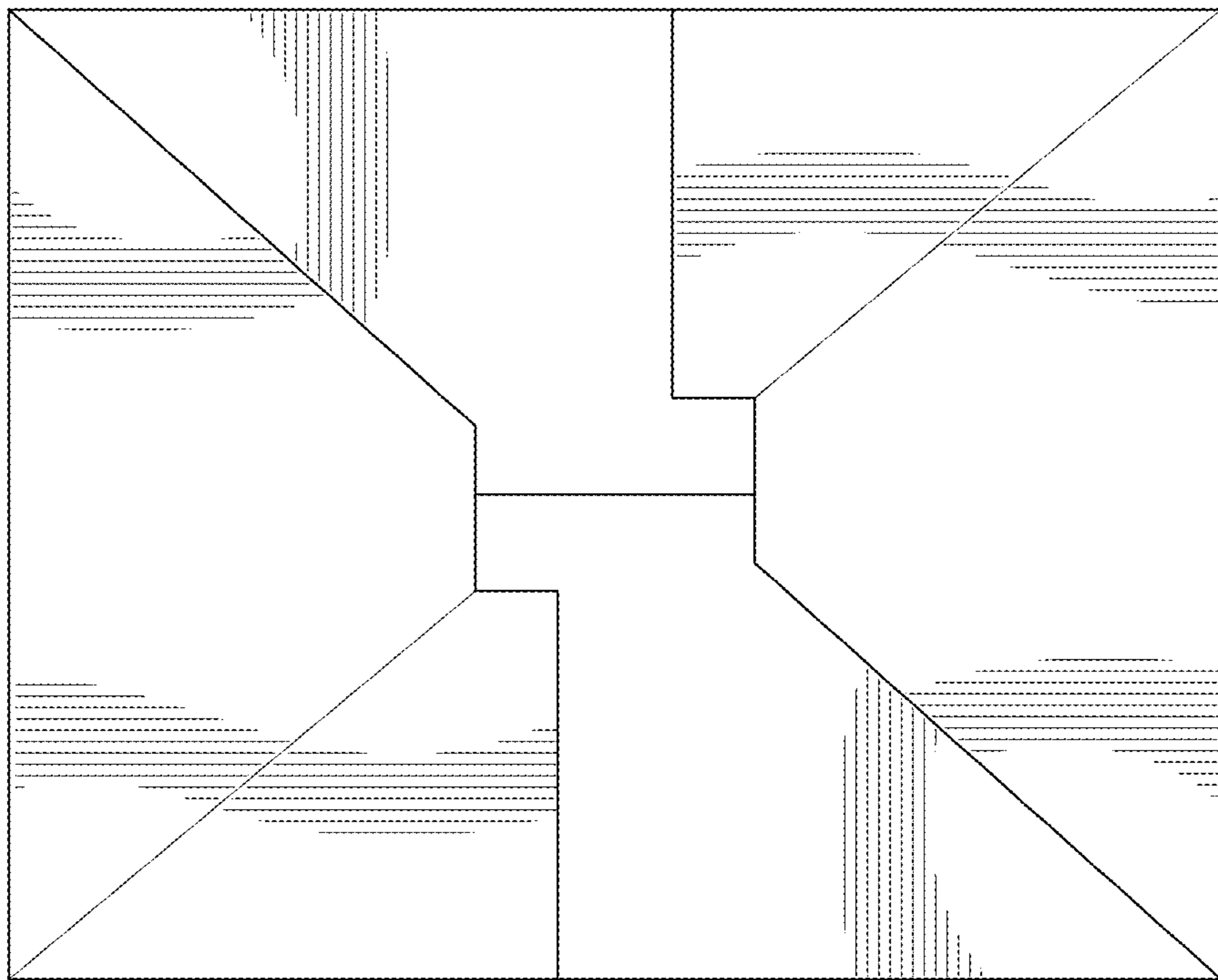


FIG. 15

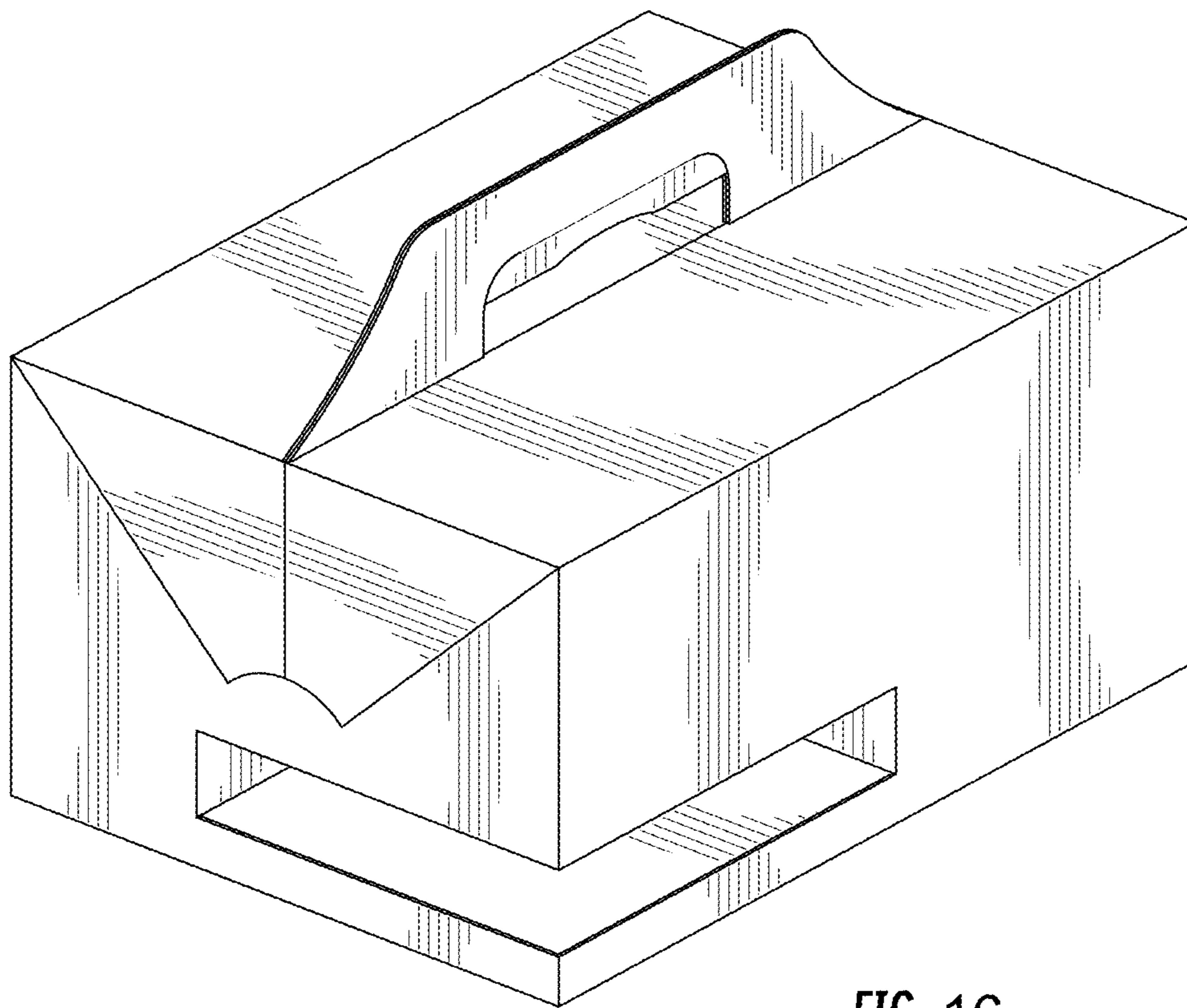


FIG. 16

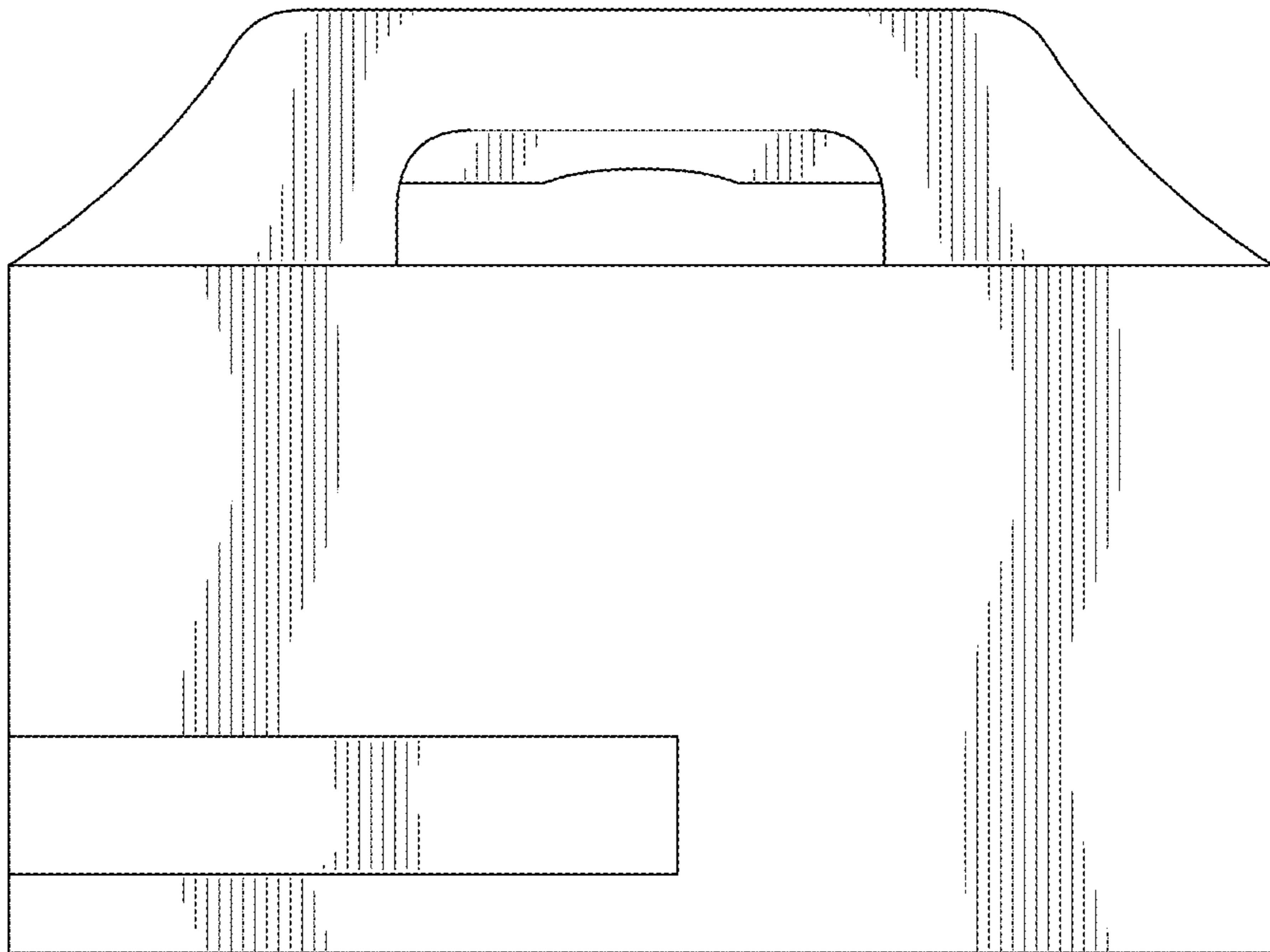


FIG. 17

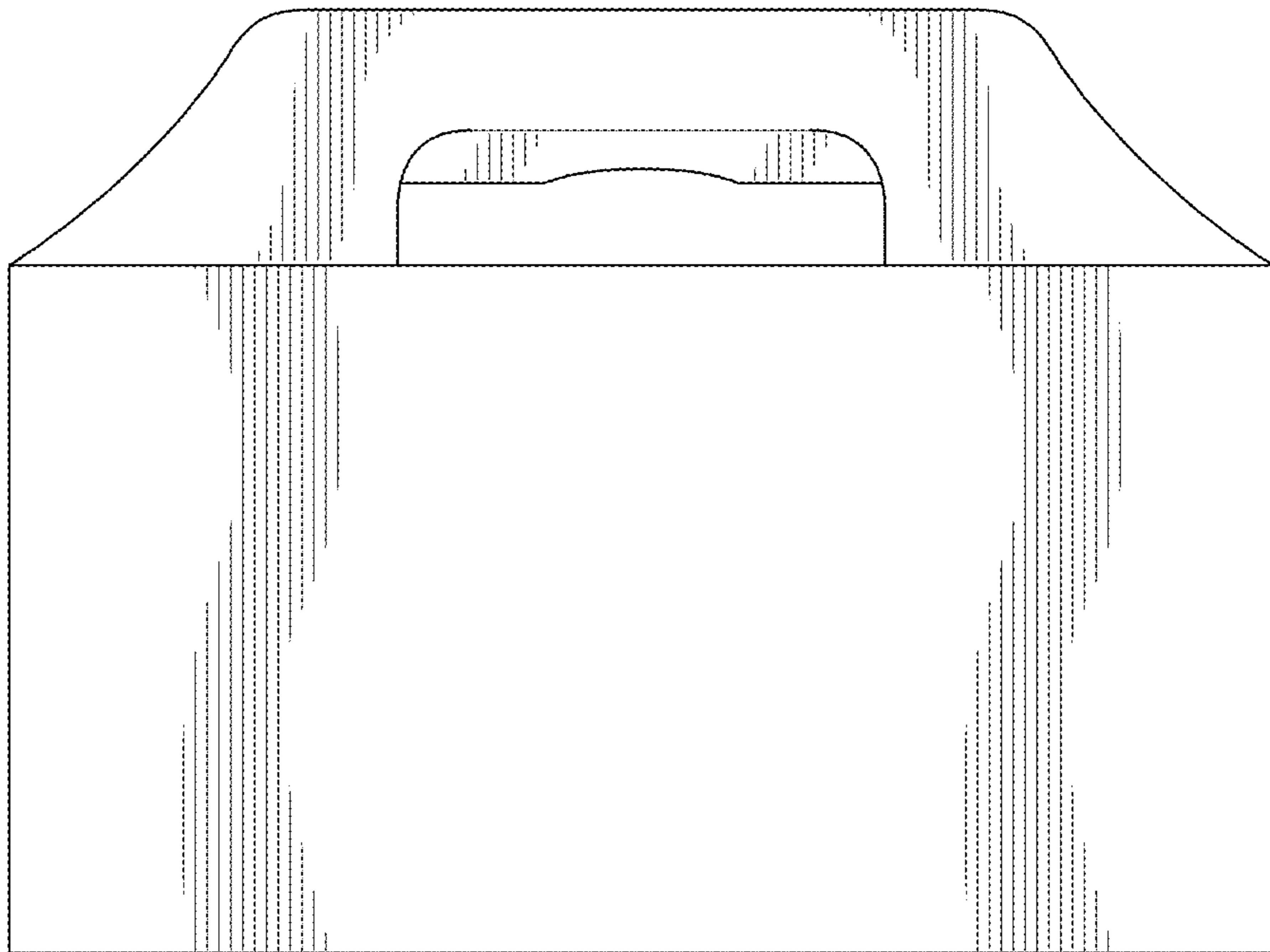


FIG. 18

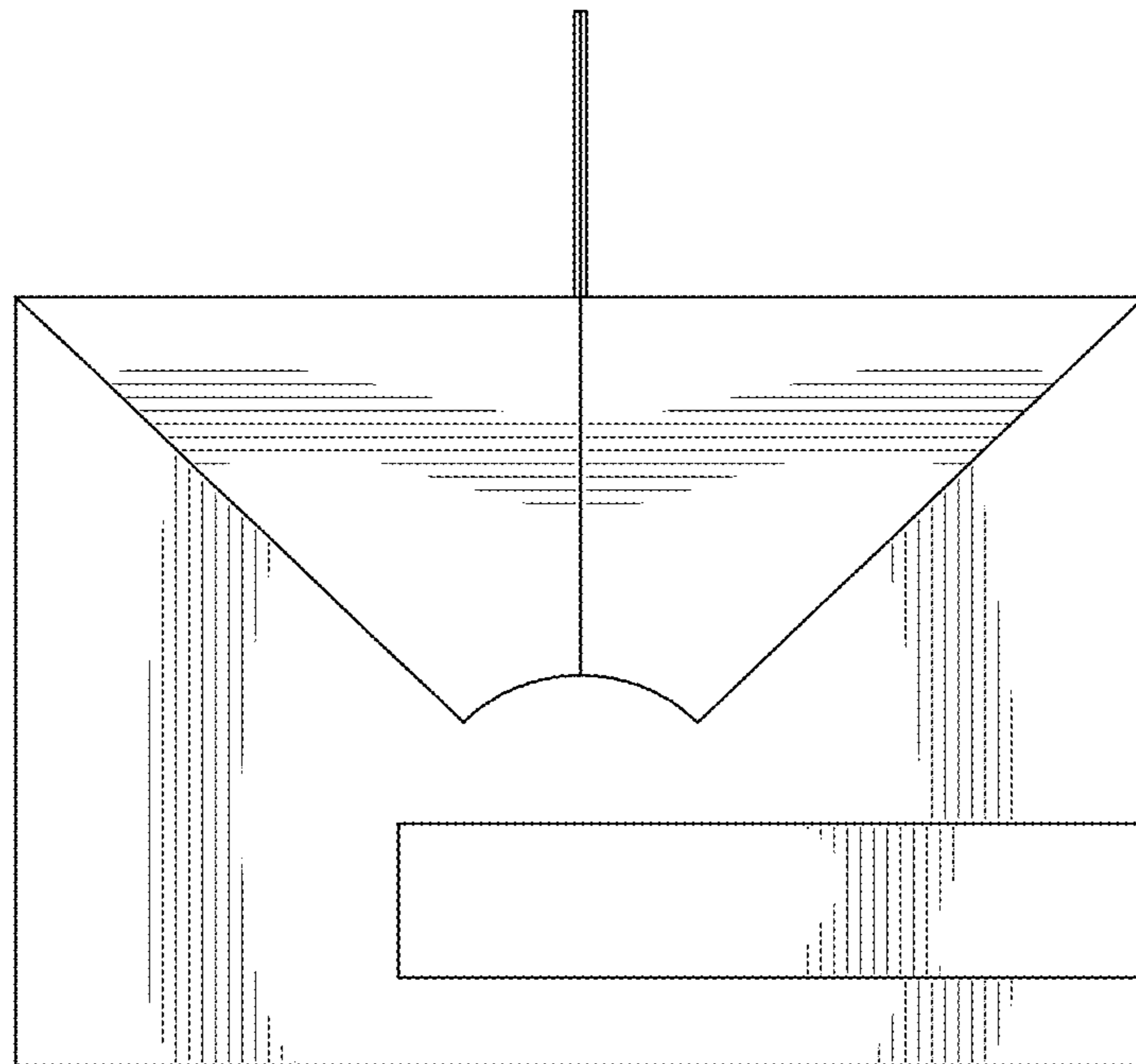


FIG. 19

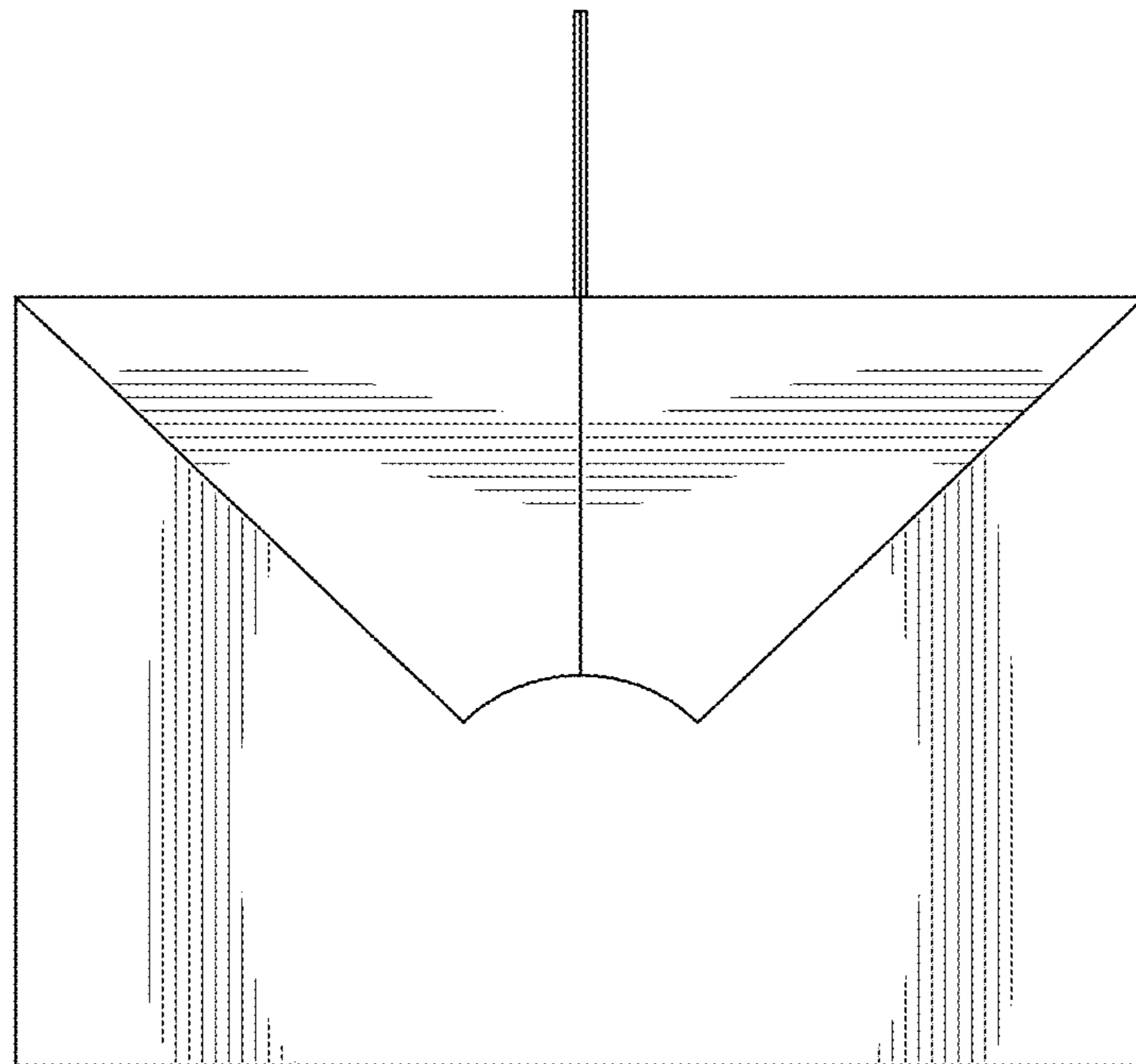


FIG. 20

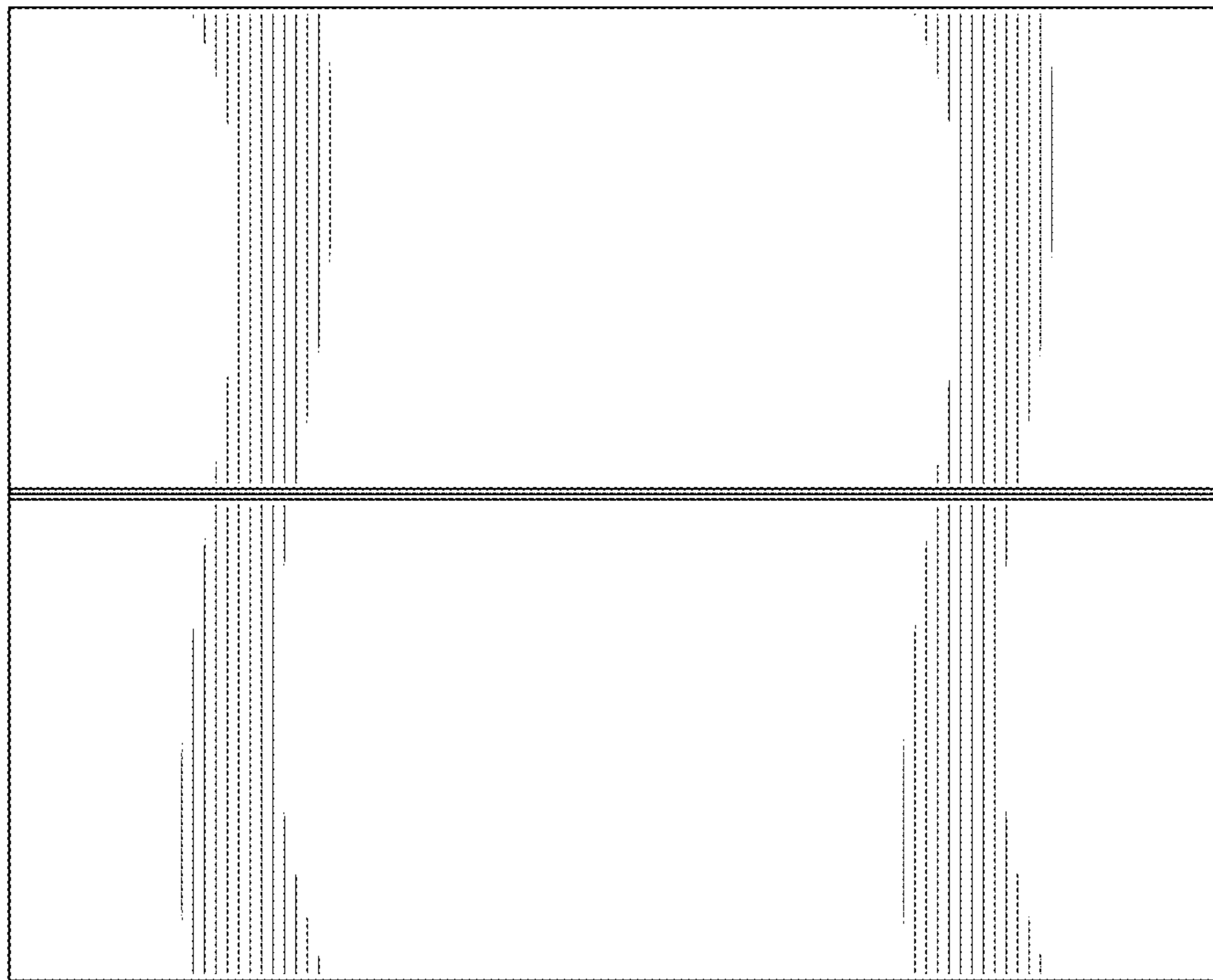


FIG. 21

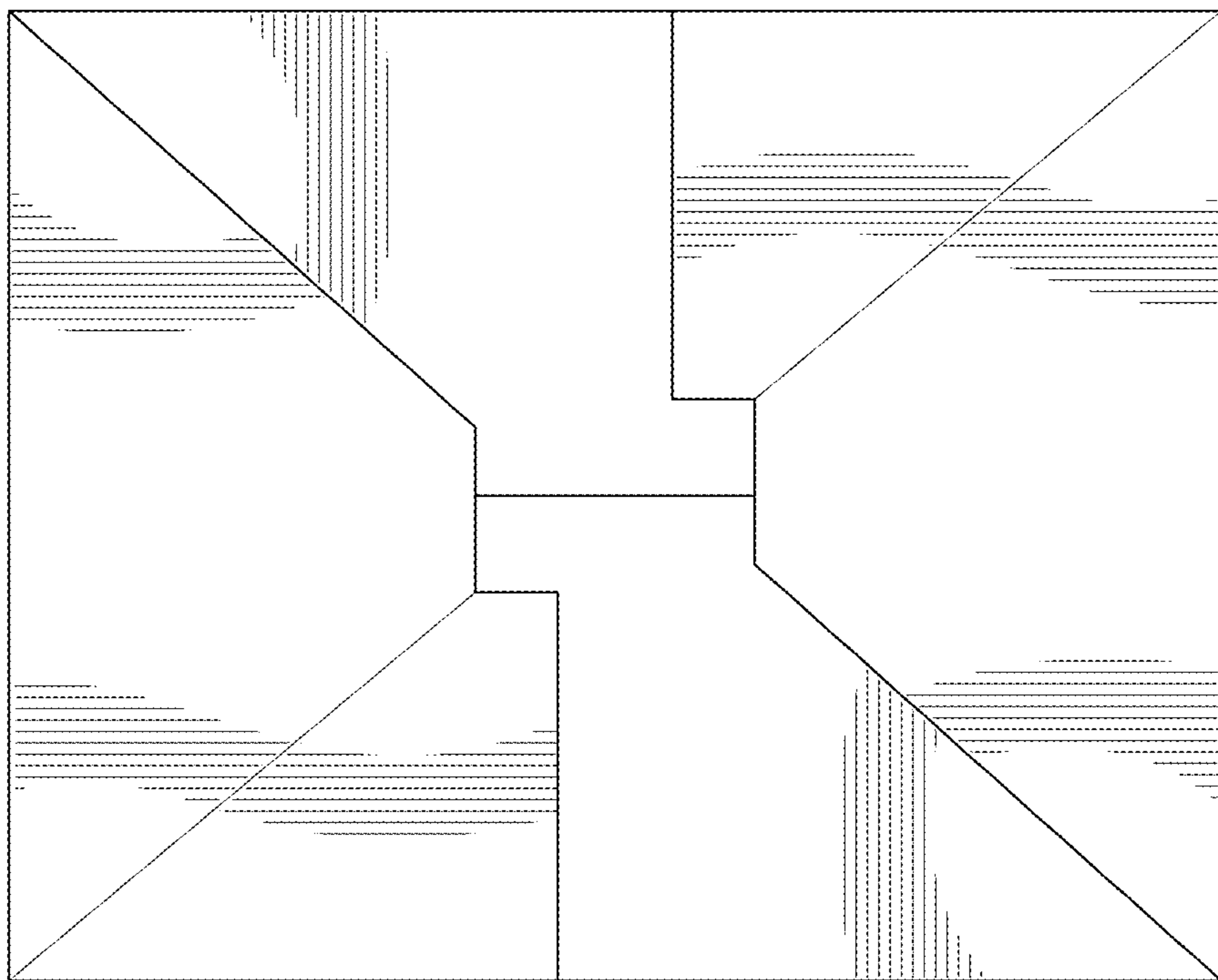


FIG. 22

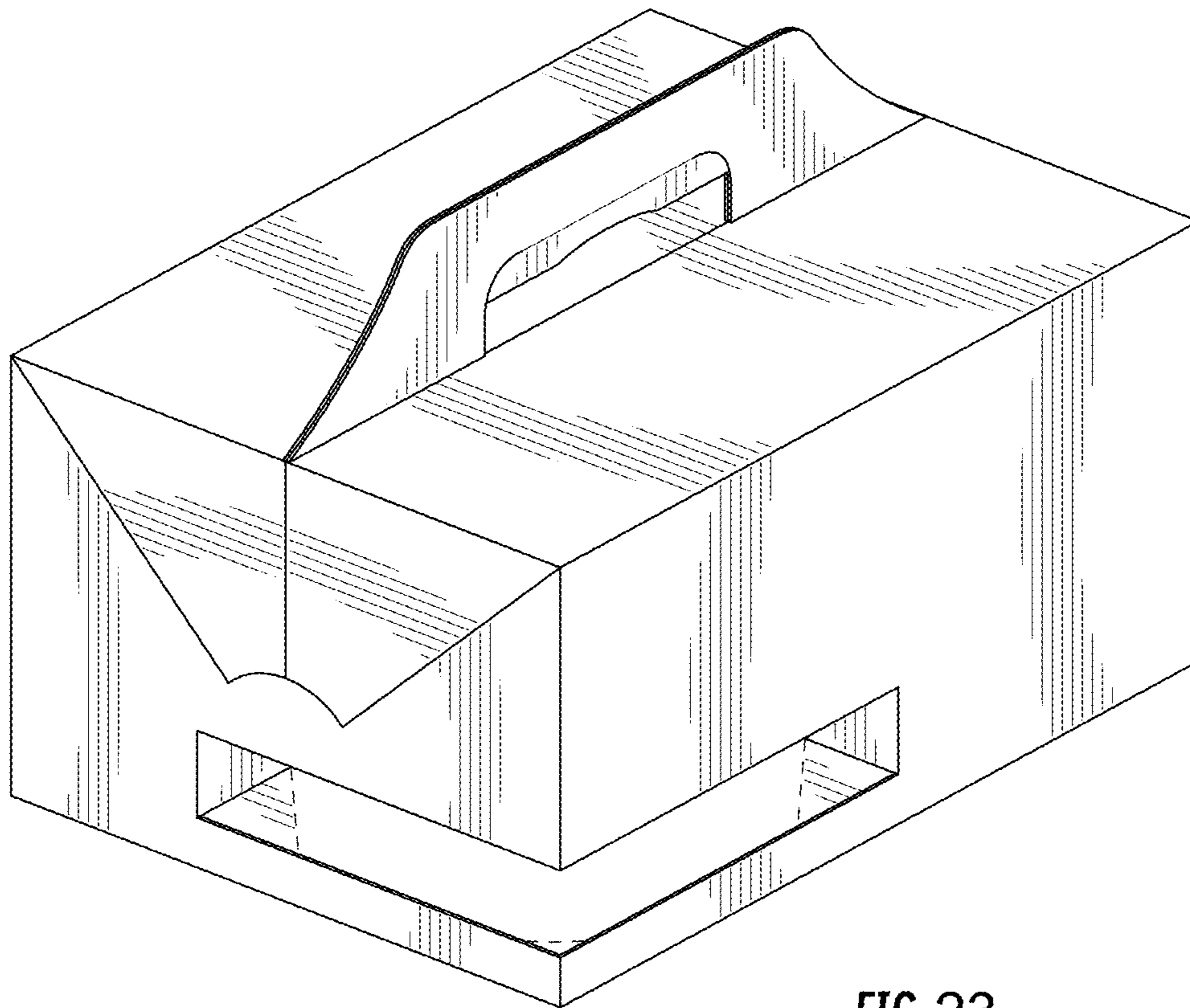


FIG. 23

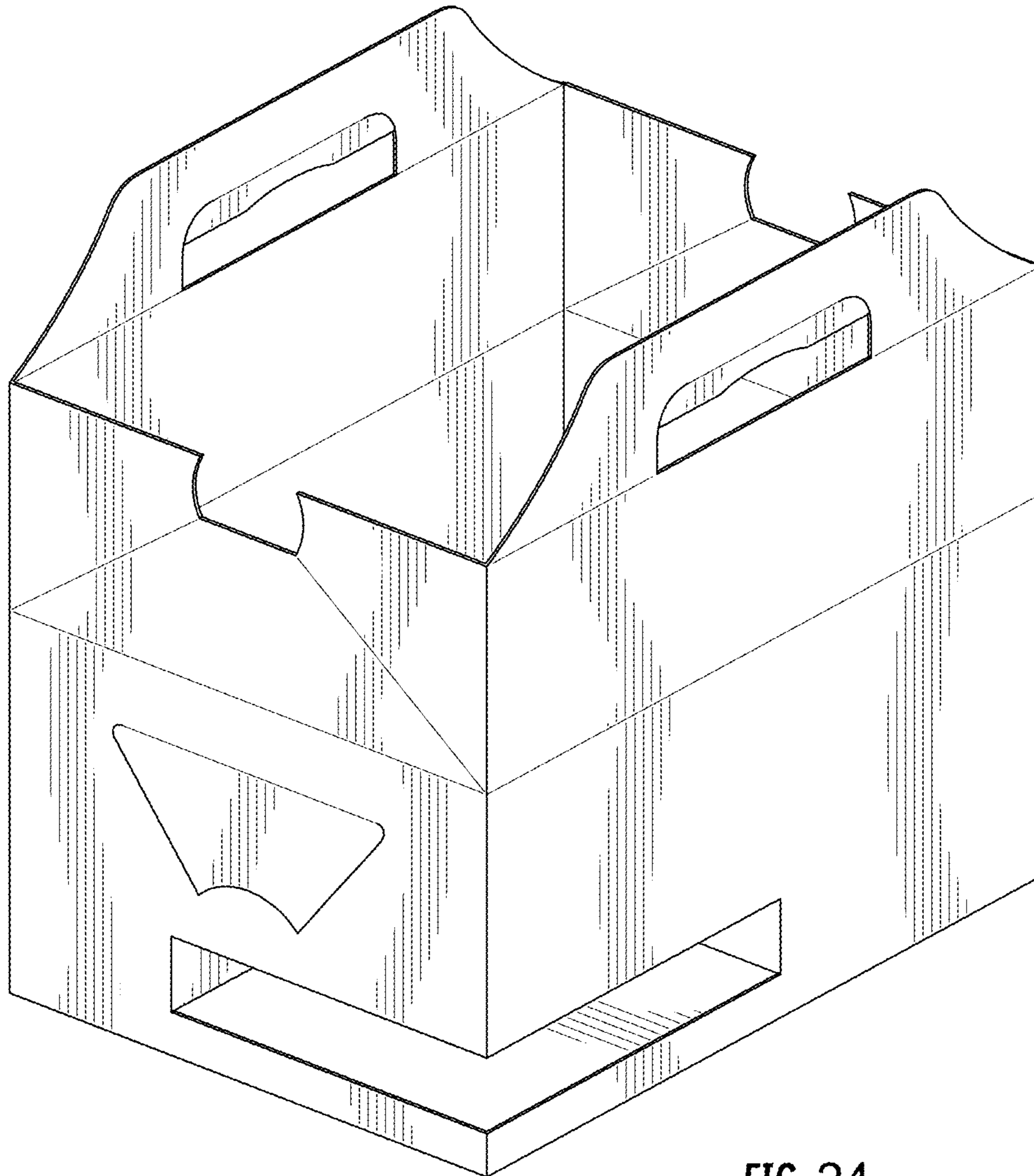


FIG. 24

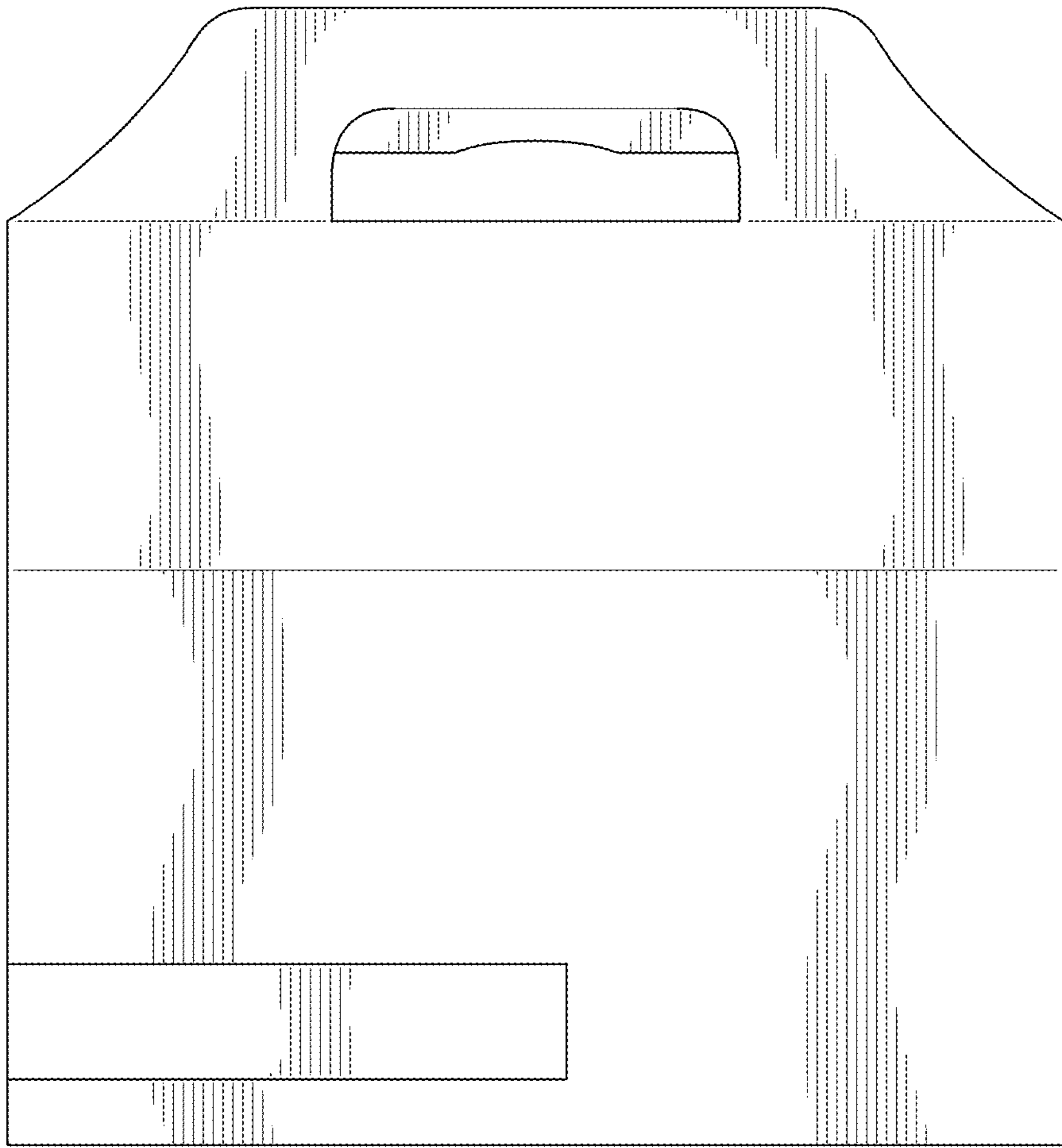


FIG. 25

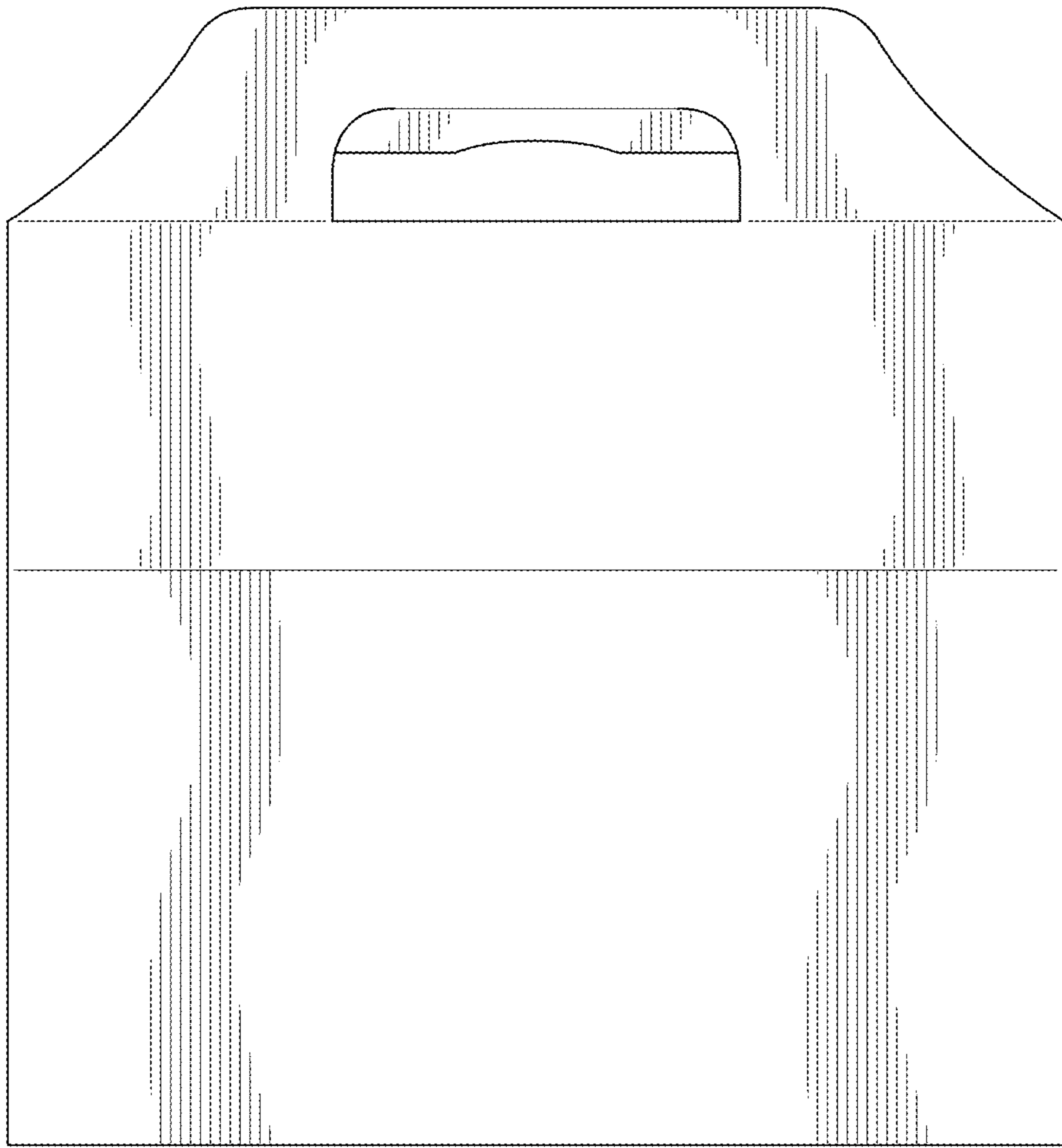


FIG. 26

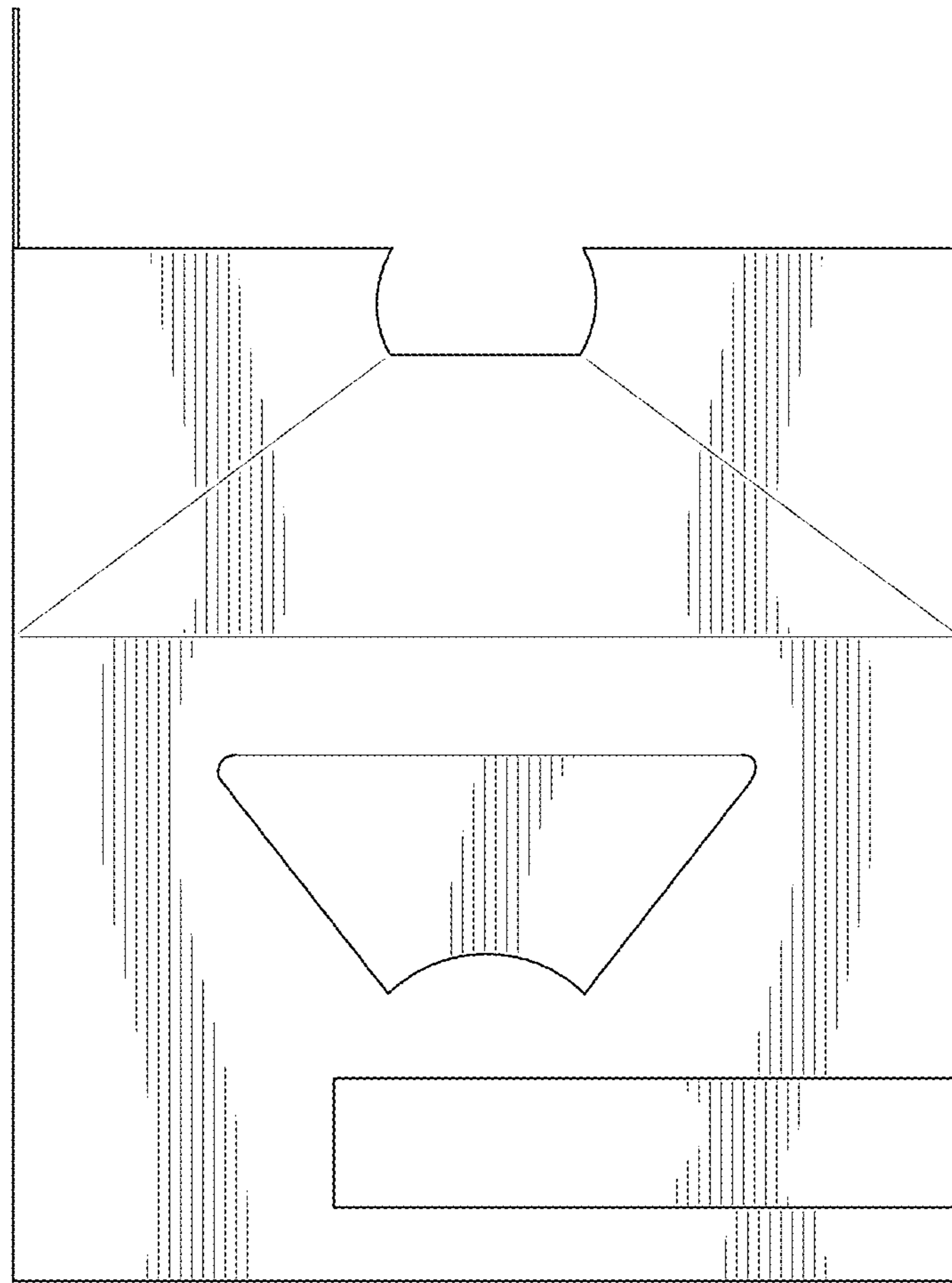


FIG. 27

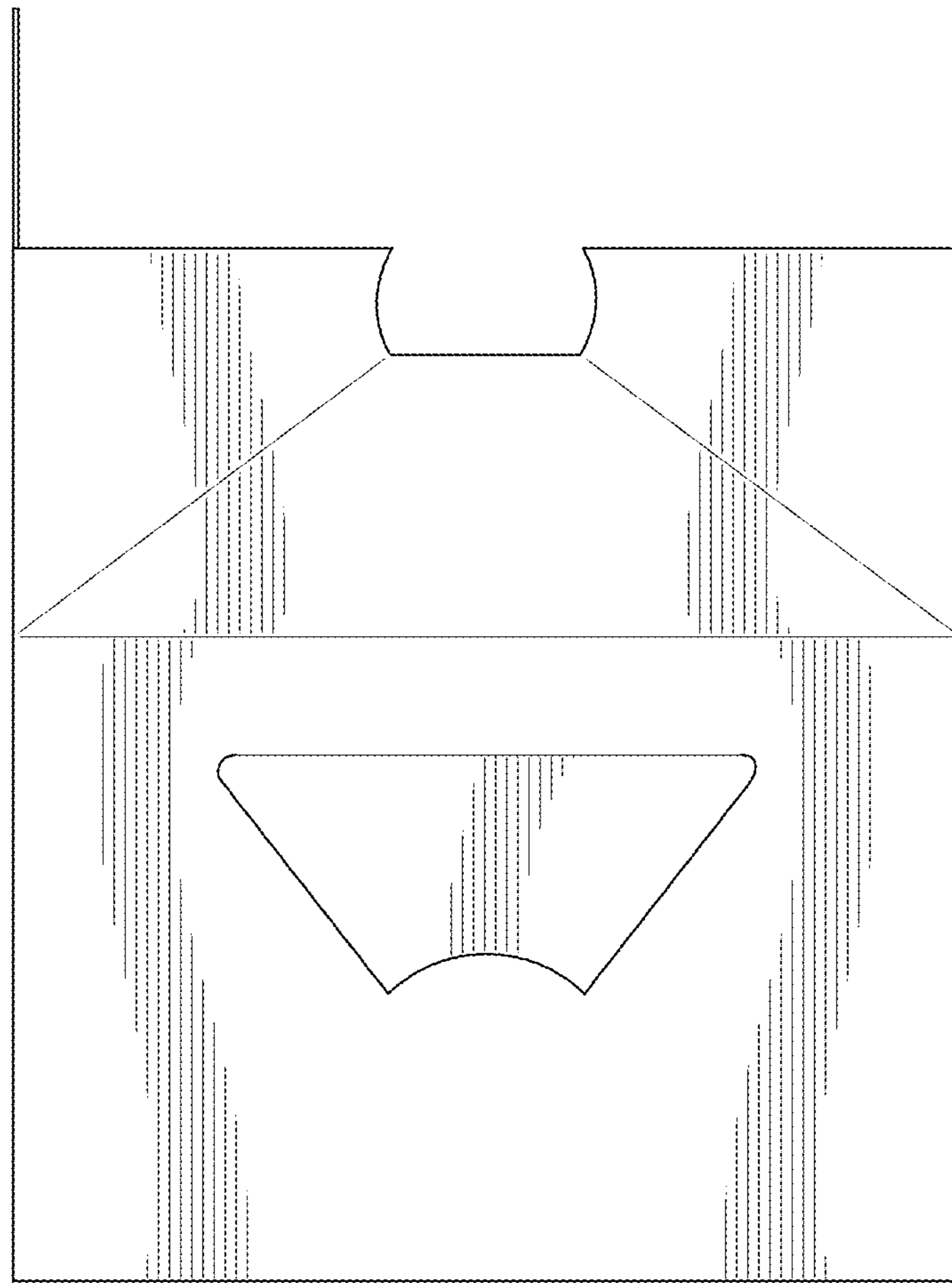


FIG. 28

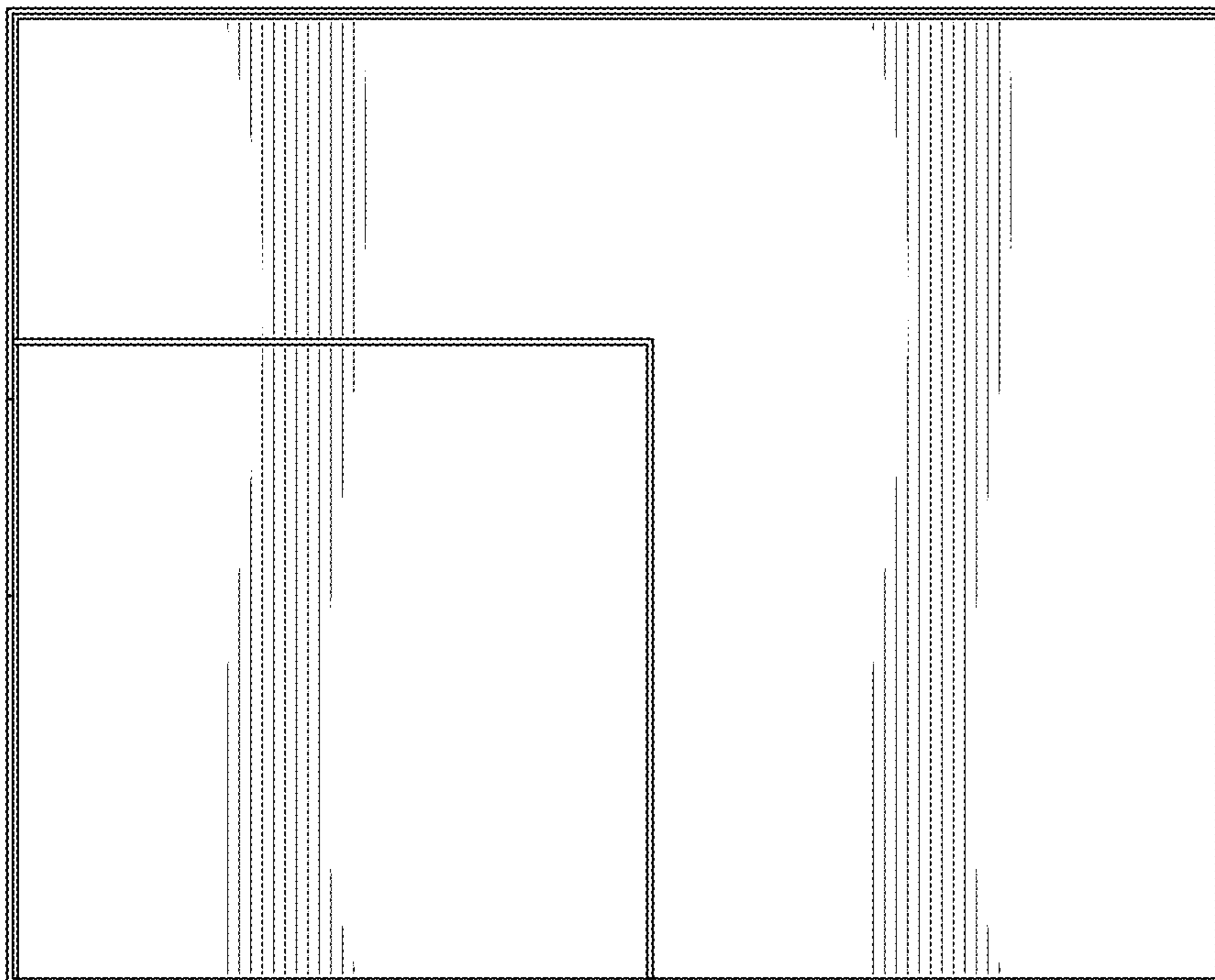


FIG. 29

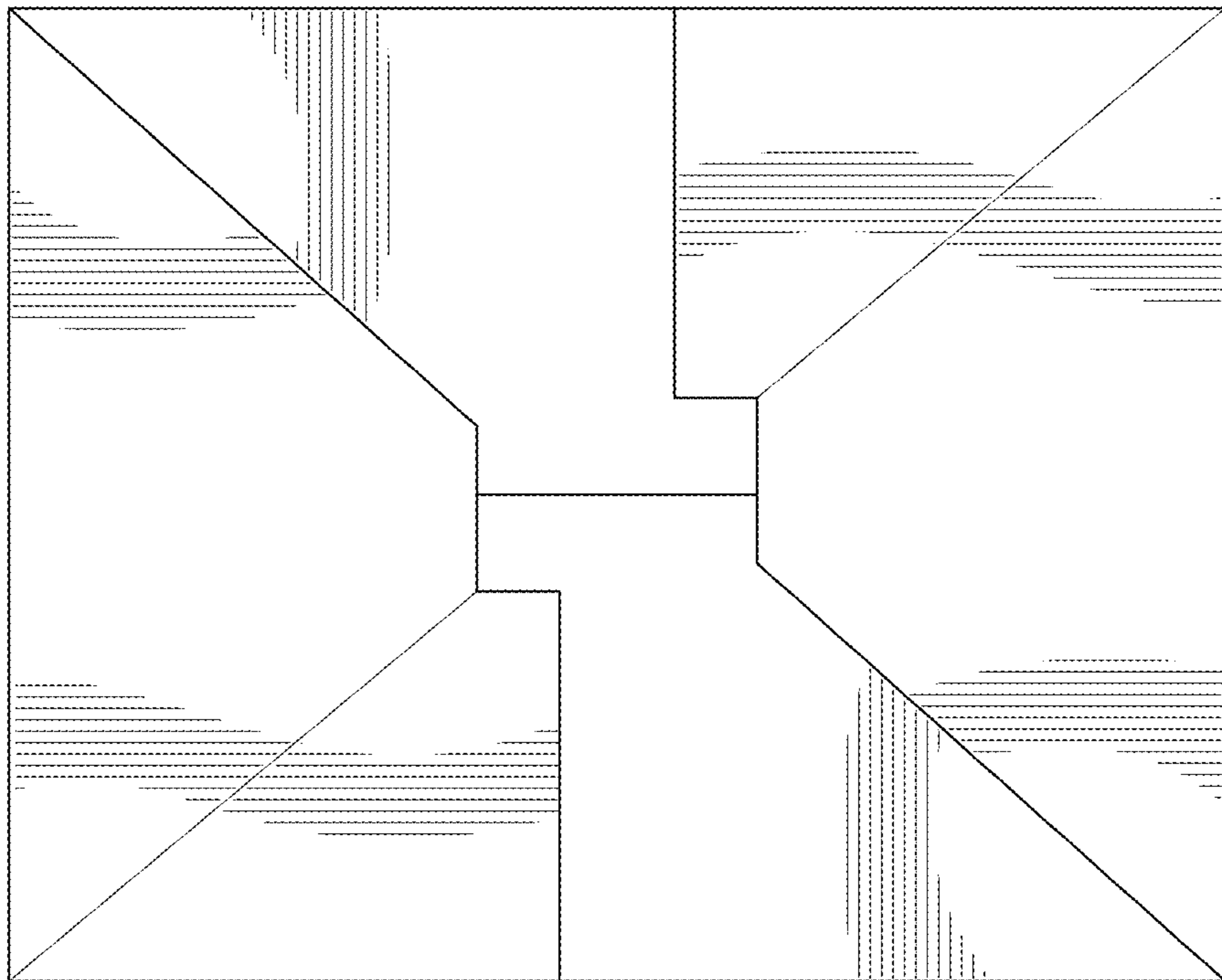


FIG. 30

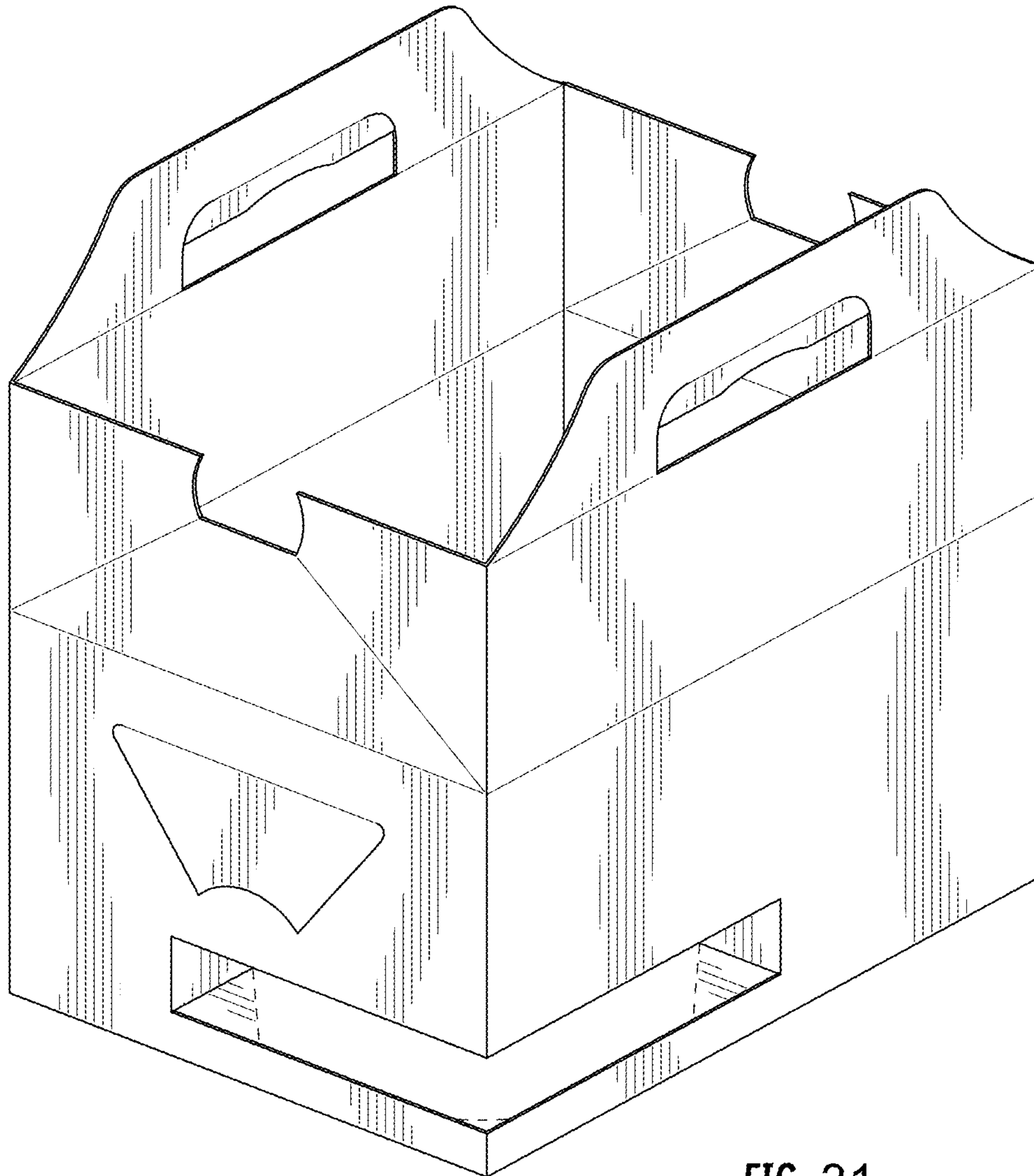


FIG. 31