



US00D951762S

(12) **United States Design Patent** (10) **Patent No.:** **US D951,762 S**  
**Axelsson** (45) **Date of Patent:** **\*\* May 17, 2022**

(54) **FASTENING DEVICE**

(71) Applicant: **MAFI AB**, Mora (SE)

(72) Inventor: **Andreas Axelsson**, Malung (SE)

(73) Assignee: **MAFI AB**, Mora (SE)

(\*\*) Term: **15 Years**

(21) Appl. No.: **29/782,076**

(22) Filed: **May 4, 2021**

(30) **Foreign Application Priority Data**

Nov. 25, 2020 (EM) ..... 008285290-0004

(51) **LOC (13) Cl.** ..... **08-08**

(52) **U.S. Cl.**  
USPC ..... **D8/382**

(58) **Field of Classification Search**  
USPC ..... D8/16, 71, 72, 380, 381, 382, 349, 354,  
D8/394; D10/103, 121; D13/133, 149,  
D13/154  
CPC ..... H01Q 1/12; H01Q 1/1207; H01Q 1/1228;  
H01Q 1/125; F16L 3/02; F16L 3/10;  
F16L 3/1016; F16L 3/1091; F16B 2/12;  
F16B 2/065; F16B 7/00; F16B 7/04;  
F16B 7/0446; F16B 7/0486; F16M  
13/022

See application file for complete search history.

(56) **References Cited**

**U.S. PATENT DOCUMENTS**

D317,250 S \* 6/1991 Shook ..... D8/380  
6,232,928 B1 \* 5/2001 Zimmerman ..... H01Q 1/1242  
343/882  
6,762,731 B1 \* 7/2004 Chou ..... H01Q 1/125  
343/880  
D494,978 S \* 8/2004 Pfister ..... D14/432  
6,864,855 B1 \* 3/2005 Fujita ..... H01Q 19/17  
343/840

D548,051 S \* 8/2007 Ruppert ..... D8/354  
D557,117 S \* 12/2007 Cannaverde ..... D8/354  
8,350,778 B2 \* 1/2013 Yeh ..... H01Q 3/02  
343/882  
D699,549 S \* 2/2014 Giessmann ..... D8/380  
D730,331 S \* 5/2015 Wong ..... D14/238  
D740,231 S \* 10/2015 Min ..... D13/154  
D829,537 S \* 10/2018 Smith ..... D8/366  
D850,890 S \* 6/2019 Cole ..... D8/354

(Continued)

**FOREIGN PATENT DOCUMENTS**

FR 2793607 A1 \* 11/2000 ..... H01Q 1/1207  
JP 55092001 A \* 7/1980 ..... H01Q 1/125

(Continued)

**OTHER PUBLICATIONS**

MAFi; 5045 Universal small cell bracket, Image postdate unknown, Image retrieved on Nov. 3, 2021 (online), <https://www.mafigroup.com/products/>.\*

*Primary Examiner* — Sandra Snapp  
*Assistant Examiner* — Ieisha N Price  
(74) *Attorney, Agent, or Firm* — Nixon & Vanderhye P.C.

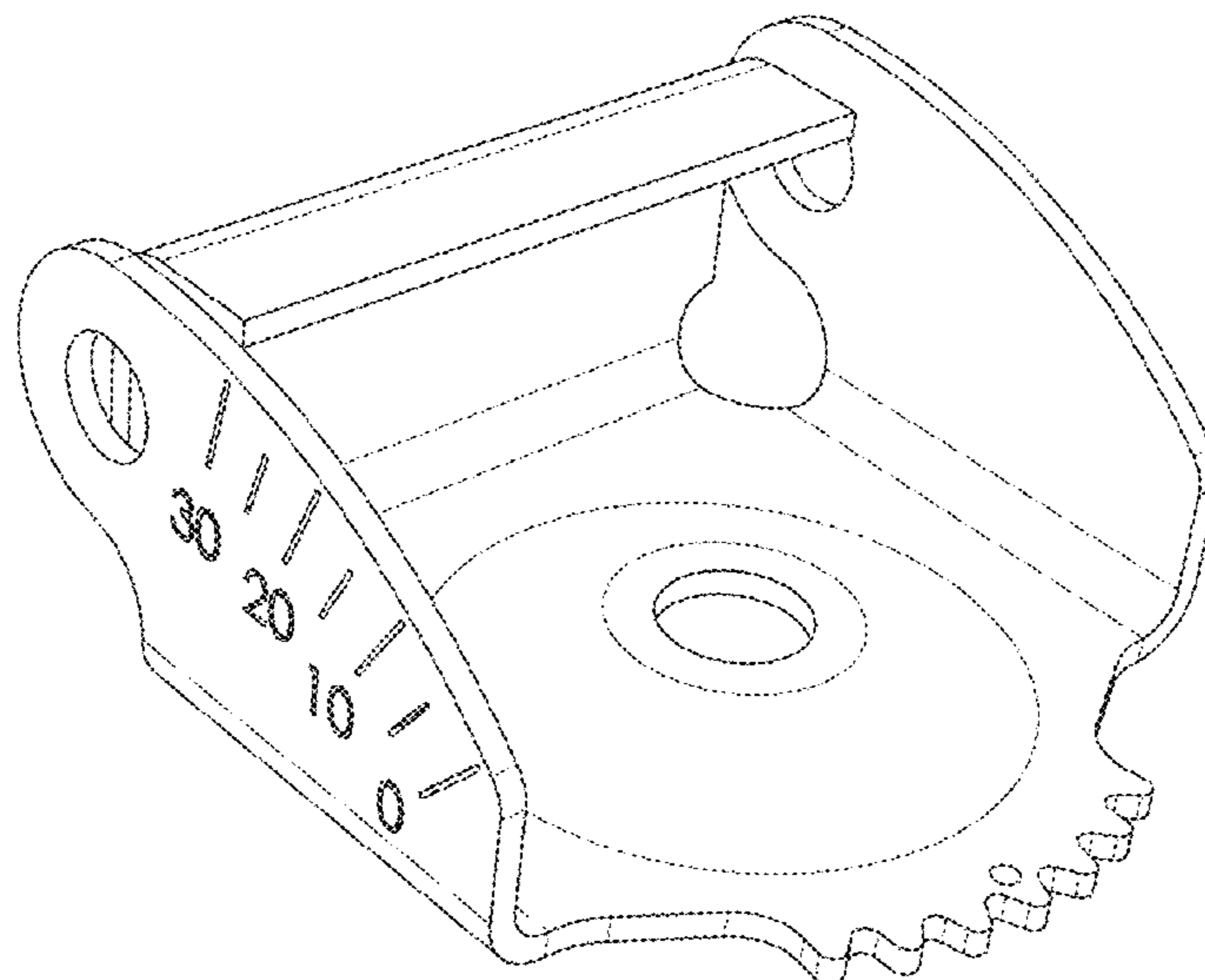
(57) **CLAIM**

The ornamental design for a fastening device, as shown and described.

**DESCRIPTION**

FIG. 1 is a left side, top, back perspective view of a fastening device;  
FIG. 2 is a right side, bottom, front perspective view thereof;  
FIG. 3 is a front view thereof;  
FIG. 4 is a back view thereof;  
FIG. 5 is top view thereof;  
FIG. 6 is a bottom view thereof; and,  
FIG. 7 is a left side view thereof, the right side being a mirror image thereof.

**1 Claim, 7 Drawing Sheets**



(56)

References Cited

U.S. PATENT DOCUMENTS

D902,701 S \* 11/2020 Smith ..... D8/366  
 D902,702 S \* 11/2020 Smith ..... D8/366  
 D915,867 S \* 4/2021 Axelsson ..... D8/349  
 11,038,253 B1 \* 6/2021 Tseng ..... H01Q 1/288  
 D927,293 S \* 8/2021 Axelsson ..... D8/382  
 D927,294 S \* 8/2021 Axelsson ..... D8/382  
 D931,717 S \* 9/2021 Axelsson ..... D8/382  
 2005/0264467 A1 \* 12/2005 Lin ..... H01Q 3/08  
 343/882  
 2006/0231693 A1 \* 10/2006 Lin ..... H01Q 1/1207  
 248/121  
 2007/0210978 A1 \* 9/2007 Zihlman ..... H01Q 1/125  
 343/892  
 2008/0099643 A1 \* 5/2008 Lin ..... H01Q 19/12  
 248/237  
 2008/0165076 A1 \* 7/2008 Pan ..... H01Q 1/125  
 343/882  
 2009/0002261 A1 \* 1/2009 Bohm ..... H01Q 3/08  
 343/882  
 2010/0156751 A1 \* 6/2010 Yang ..... H01Q 1/12  
 343/882  
 2010/0259462 A1 \* 10/2010 Yeh ..... H01Q 3/02  
 343/882  
 2010/0314514 A1 \* 12/2010 Nelson ..... F16M 11/08  
 248/219.1  
 2011/0031360 A1 \* 2/2011 Pan ..... H01Q 3/08  
 248/201  
 2011/0193764 A1 \* 8/2011 Shen ..... H01Q 3/02  
 343/882  
 2012/0211624 A1 \* 8/2012 Lin ..... H01Q 1/1228  
 248/292.14  
 2012/0211632 A1 \* 8/2012 Yang ..... H01Q 1/1207  
 248/397

2013/0002518 A1 \* 1/2013 Yang ..... H01Q 3/06  
 343/882  
 2013/0134271 A1 \* 5/2013 Lee ..... H01Q 3/06  
 248/219.2  
 2013/0256477 A1 \* 10/2013 Fackler ..... F16M 11/10  
 248/201  
 2014/0048660 A1 \* 2/2014 Lettkeman ..... F16B 2/065  
 248/201  
 2014/0306072 A1 \* 10/2014 Yang ..... H01Q 3/06  
 248/124.1  
 2015/0136920 A1 \* 5/2015 Hemmervall ..... F16B 5/0233  
 248/201  
 2015/0336682 A1 \* 11/2015 Fames ..... F16M 11/2028  
 248/291.1  
 2016/0014843 A1 \* 1/2016 Burrell ..... H04W 88/08  
 455/561  
 2016/0294036 A1 \* 10/2016 Christie ..... H01Q 1/125  
 2016/0322697 A1 \* 11/2016 Skrepcinski ..... H01Q 1/1235  
 2016/0365618 A1 \* 12/2016 Kim ..... H01Q 1/1242  
 2016/0365619 A1 \* 12/2016 Hamm ..... H01Q 1/1242  
 2017/0237160 A1 \* 8/2017 Kim ..... H01F 1/00  
 343/745  
 2018/0115047 A1 \* 4/2018 Tsukada ..... H01Q 1/12  
 2018/0159201 A1 \* 6/2018 Woodling ..... F16M 11/12  
 2018/0212300 A1 \* 7/2018 Yang ..... H01Q 3/06  
 2018/0352955 A1 \* 12/2018 Corbo ..... H05K 5/0234  
 2019/0207292 A1 \* 7/2019 Bailey ..... F16B 45/00  
 2021/0066779 A1 \* 3/2021 Udagave ..... H01Q 1/246  
 2021/0075083 A1 \* 3/2021 Udagave ..... H01Q 1/125  
 2021/0111474 A1 \* 4/2021 Kolokotronis ..... H01Q 1/246  
 2021/0226314 A1 \* 7/2021 Kolokotronis ..... H01Q 1/1228  
 2021/0237565 A1 \* 8/2021 Carpenter ..... F16M 13/022

FOREIGN PATENT DOCUMENTS

JP 10284915 A \* 10/1998 ..... H01Q 1/125  
 WO WO-2019174717 A1 \* 9/2019 ..... H01Q 1/084

\* cited by examiner

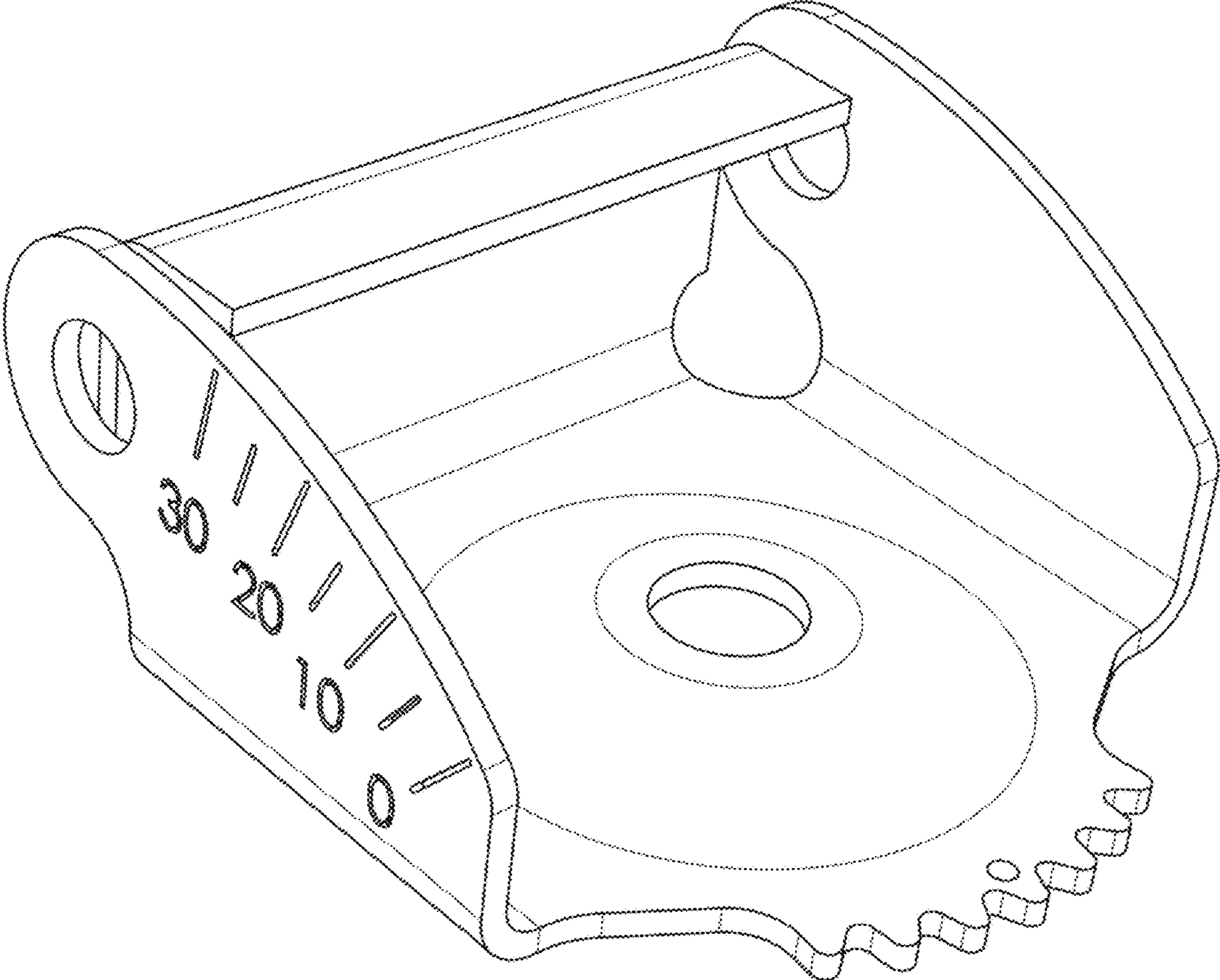


FIG. 1



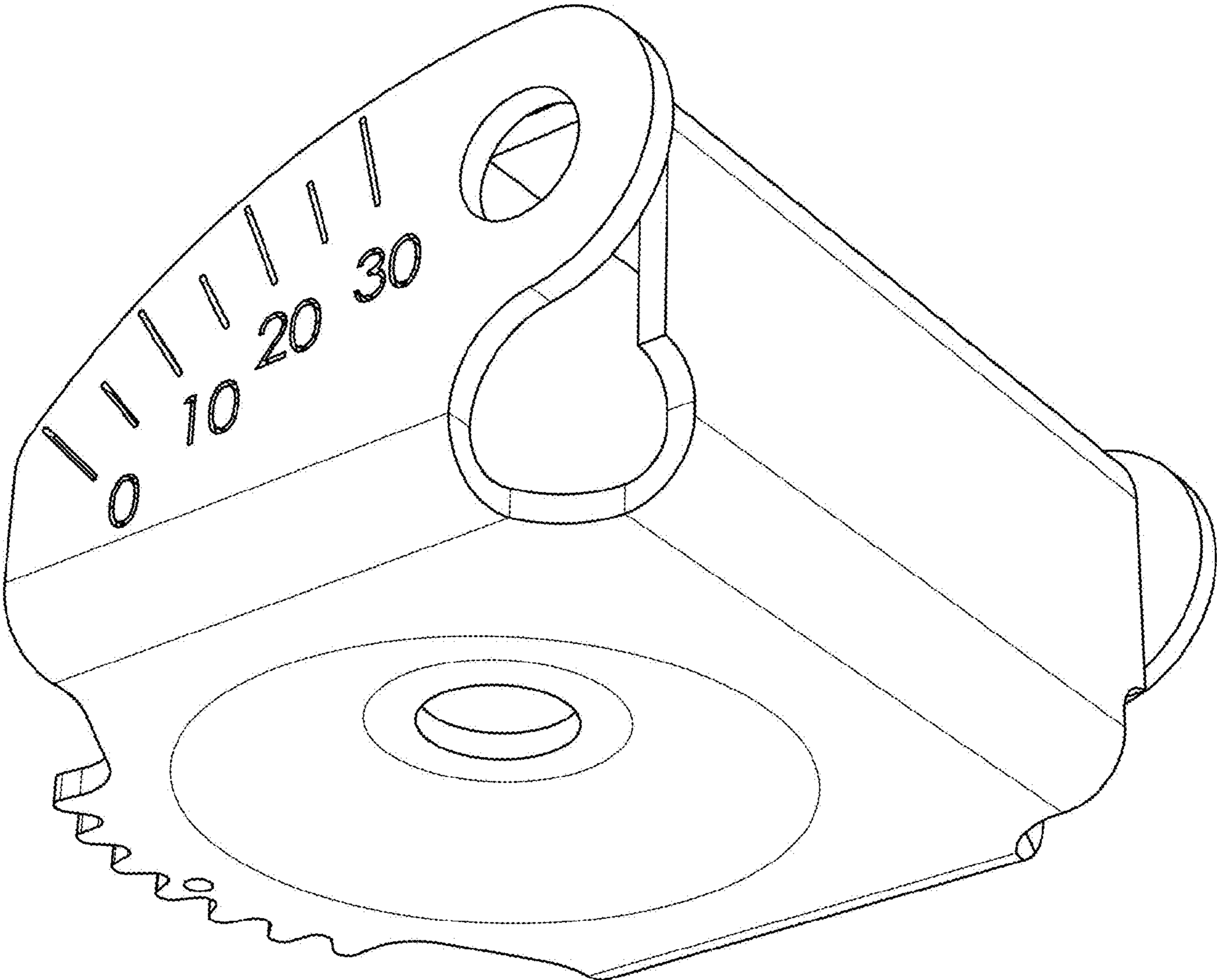


FIG. 2

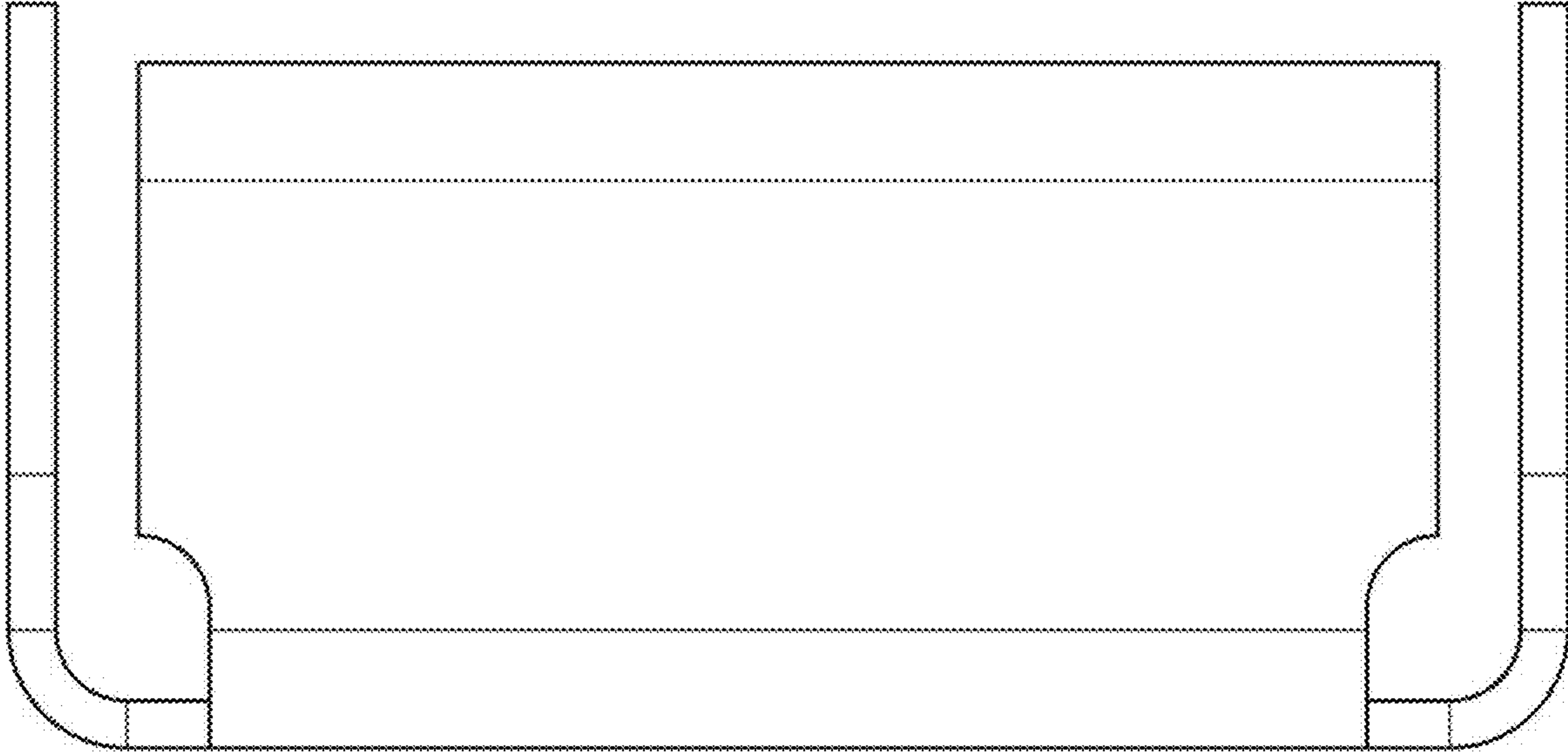


FIG. 3

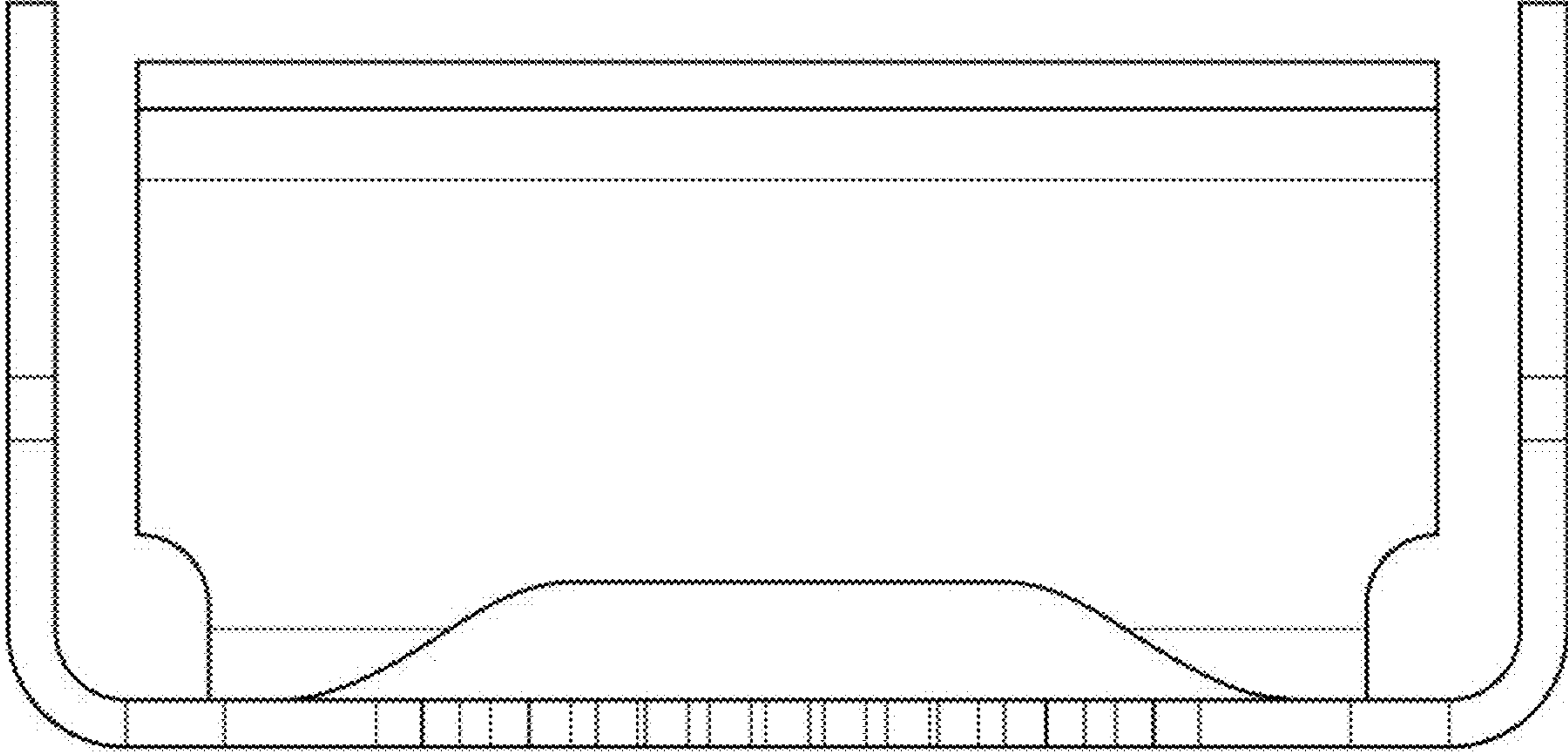


FIG. 4

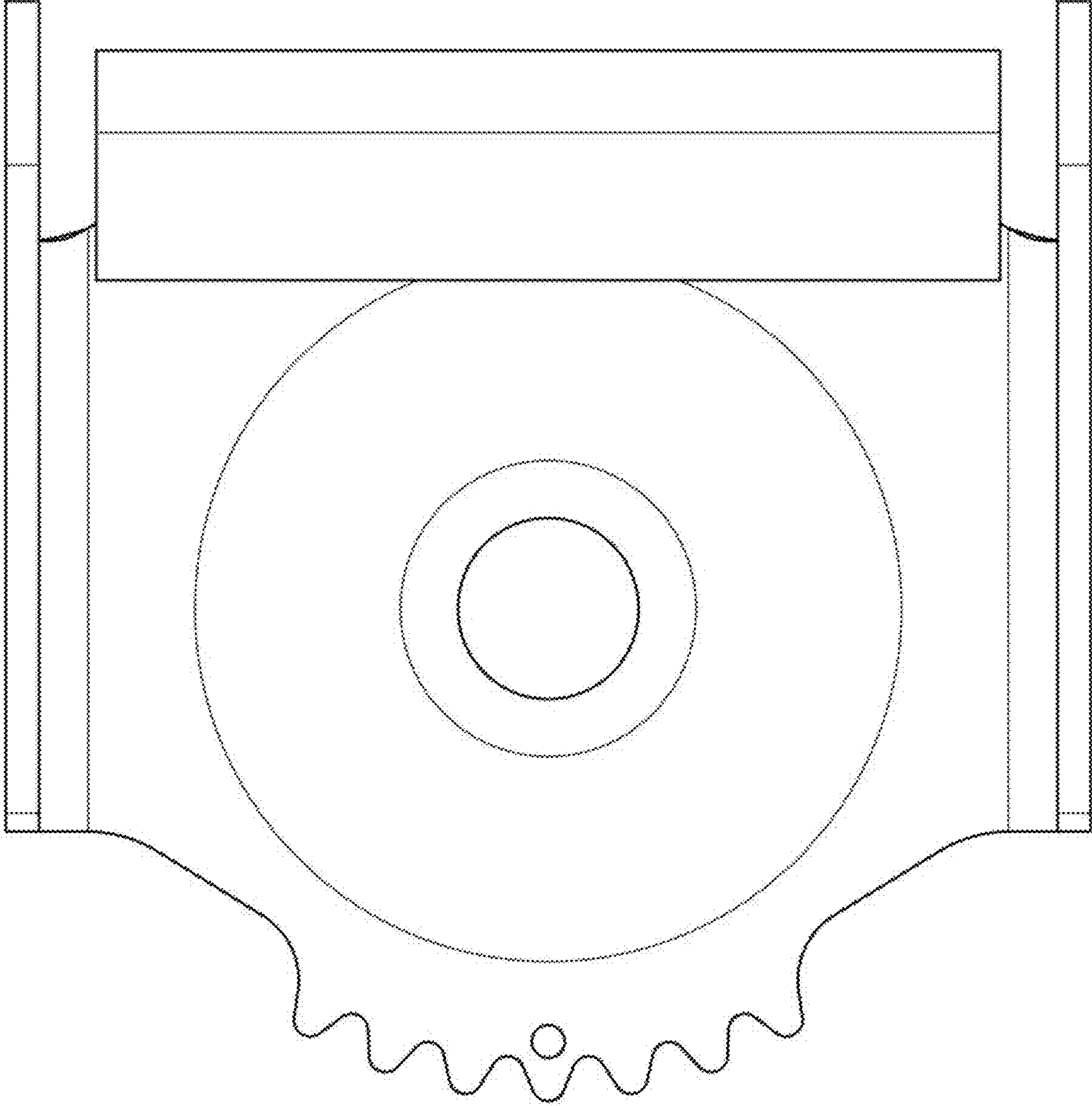


FIG. 5

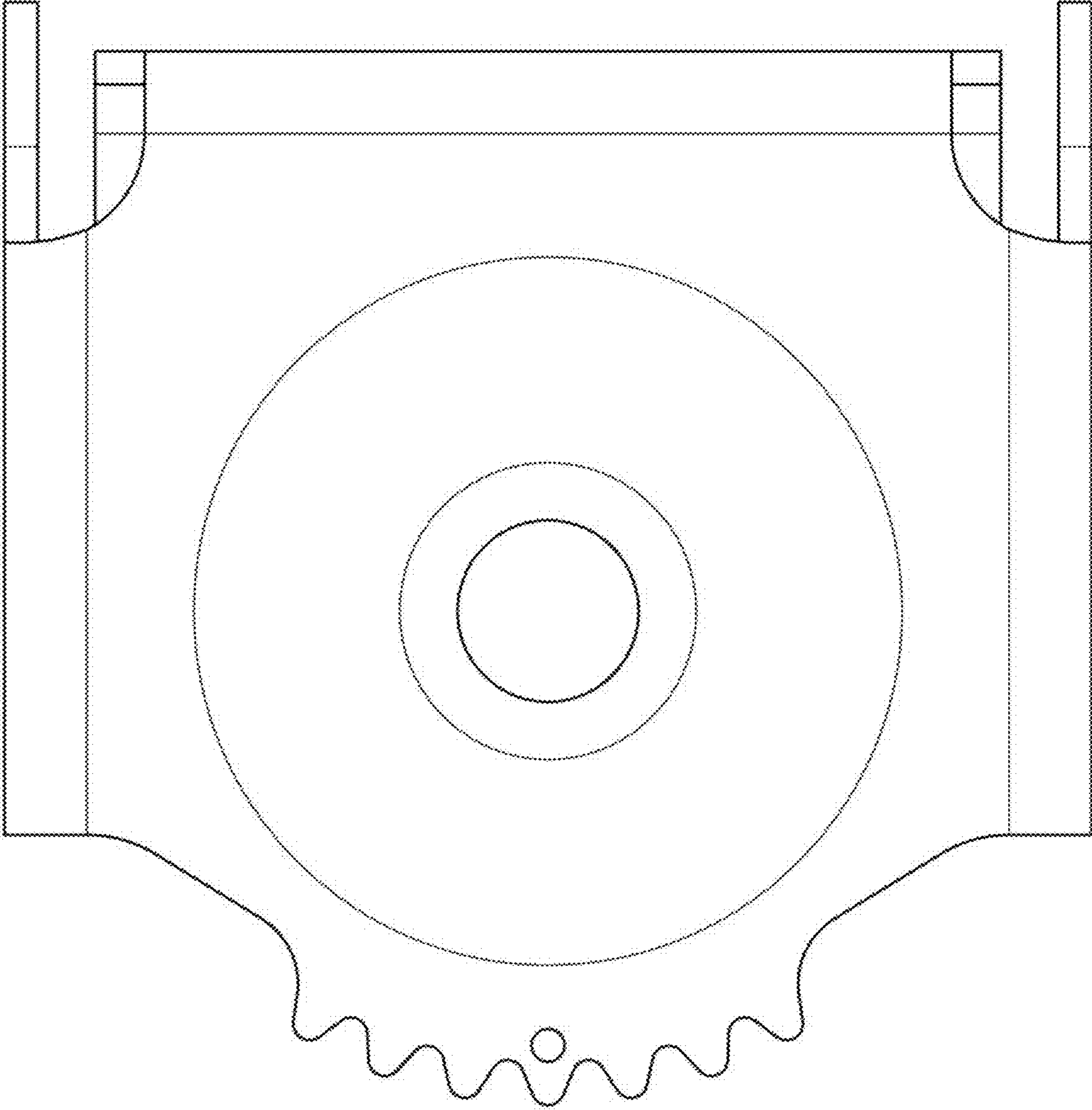


FIG. 6



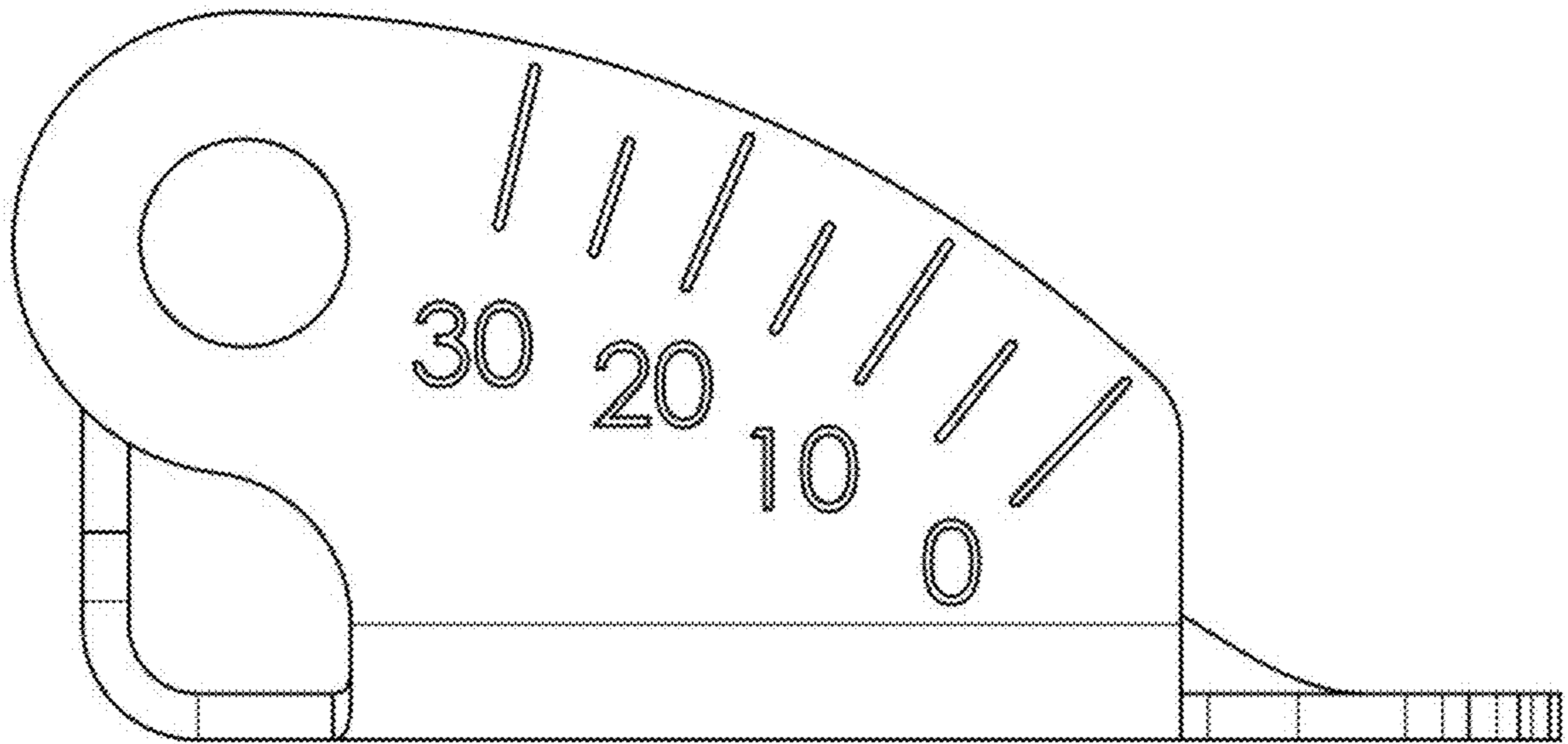


FIG. 7