



US00D951761S

(12) **United States Design Patent** (10) **Patent No.:** **US D951,761 S**
Boberg (45) **Date of Patent:** **** May 17, 2022**

(54) **FASTENING DEVICE**

(71) Applicant: **MAFI AB**, Mora (SE)

(72) Inventor: **Daniel Boberg**, Älvdalen (SE)

(73) Assignee: **MAFI AB**, Mora (SE)

(**) Term: **15 Years**

(21) Appl. No.: **29/780,881**

(22) Filed: **Apr. 27, 2021**

(30) **Foreign Application Priority Data**

Oct. 27, 2020 (EM) 008213706-0001

(51) **LOC (13) Cl.** **08-08**

(52) **U.S. Cl.**

USPC **D8/382**

(58) **Field of Classification Search**

USPC D8/16, 71, 72, 380, 381, 382, 349, 354,
D8/394; D10/103, 121; D13/133, 149,
D13/154

CPC H01Q 1/12; H01Q 1/1207; H01Q 1/1228;
H01Q 1/125; F16L 3/02; F16L 3/10;
F16L 3/1016; F16L 3/1091; F16B 2/12;
F16B 2/065; F16B 7/00; F16B 7/04;
F16B 7/0446; F16B 7/0486; F16M
13/022

See application file for complete search history.

(56) **References Cited**

U.S. PATENT DOCUMENTS

D257,663 S * 12/1980 McKee D8/354
D257,664 S * 12/1980 McKee D8/354
D309,560 S * 7/1990 Warlick D8/355
D438,448 S * 3/2001 Batting D8/354
6,273,377 B1 * 8/2001 Archer F16B 2/065
248/218.4
D552,947 S * 10/2007 Ewasiuk D8/5

D566,444 S * 4/2008 Grey D6/553
D599,193 S * 9/2009 Meyer D8/354
D633,779 S * 3/2011 Bennett D8/354
8,011,628 B1 * 9/2011 Suddeth H01Q 1/12
248/225.11
D661,976 S * 6/2012 Richter D8/354
D667,718 S * 9/2012 Preda D8/354
9,532,483 B1 * 12/2016 Chang H05K 7/1489
9,620,845 B1 * 4/2017 Sullivan F16M 11/14
9,622,292 B1 * 4/2017 Burrell H04W 88/08
D803,665 S * 11/2017 Vrame D8/354
D850,890 S * 6/2019 Cole D8/354
D854,398 S * 7/2019 Davis D8/349
D876,201 S * 2/2020 Wassdahl D8/349
D886,572 S * 6/2020 Axelsson D8/382
D902,702 S * 11/2020 Smith D8/366
D904,171 S * 12/2020 Ochi D8/354
D914,660 S * 3/2021 Chen D14/239

(Continued)

FOREIGN PATENT DOCUMENTS

CA 2459799 A1 * 1/2003 H01Q 19/13

Primary Examiner — Sandra Snapp

Assistant Examiner — Ieisha N Price

(74) *Attorney, Agent, or Firm* — Nixon & Vanderhye P.C.

(57) **CLAIM**

The ornamental design for a fastening device, as shown and described.

DESCRIPTION

FIG. 1 is a top, front, left side perspective view of a fastening device;

FIG. 2 is a bottom, rear, right side perspective view thereof;

FIG. 3 is a front view thereof;

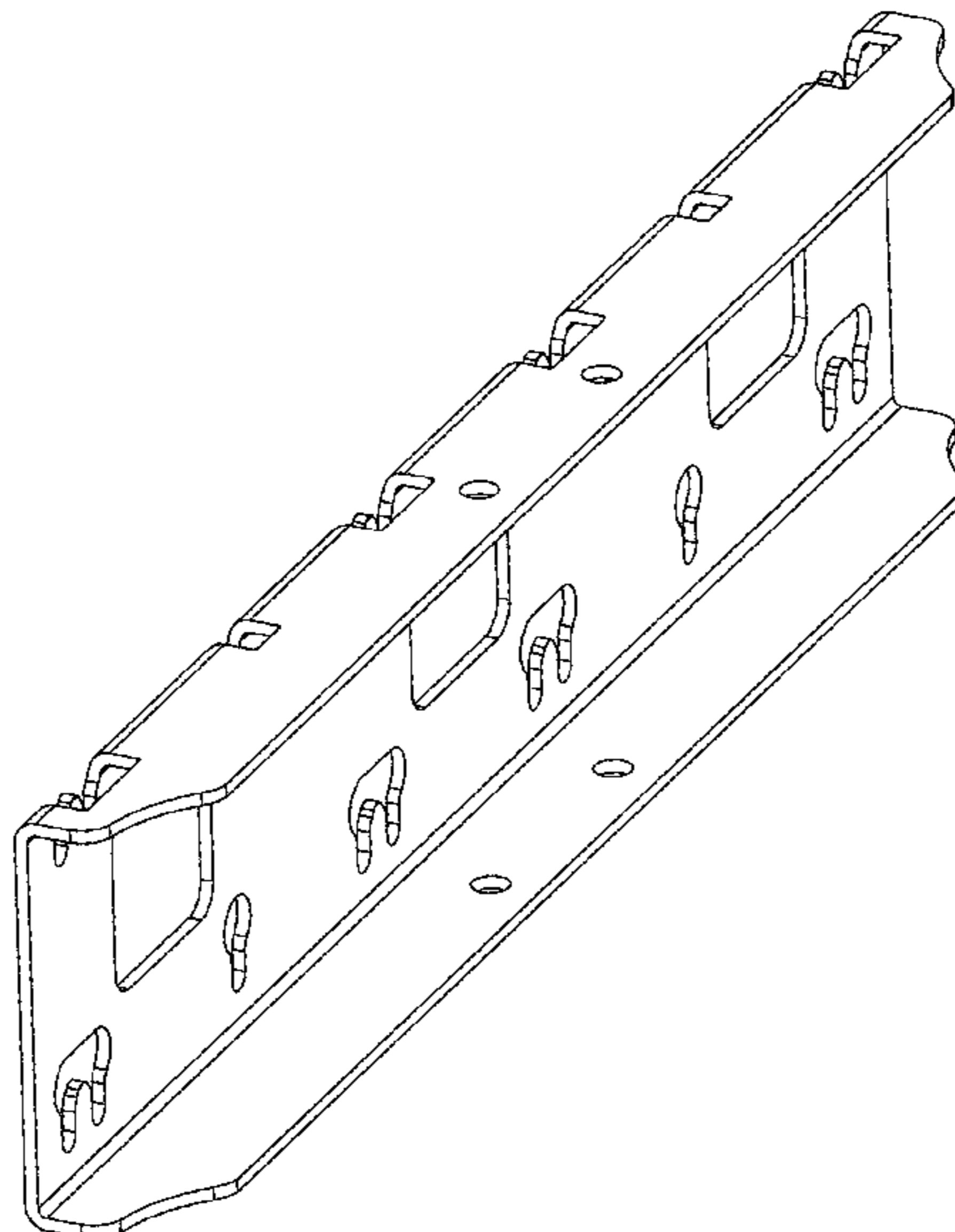
FIG. 4 is a back view thereof;

FIG. 5 is bottom view thereof;

FIG. 6 is a top view thereof; and,

FIG. 7 is a right side view thereof, the left side view being a mirror image thereof.

1 Claim, 6 Drawing Sheets



(56)

References Cited

U.S. PATENT DOCUMENTS

D916,710 S * 4/2021 Jia D14/452
2002/0105477 A1 * 8/2002 Bragg H01Q 19/13
343/892
2003/0155474 A1 * 8/2003 Dean G11B 33/124
248/300
2011/0017014 A1 * 1/2011 Batdorff B60G 7/008
74/607
2011/0083399 A1 * 4/2011 Lettkeman H01Q 1/1228
52/745.21
2016/0352042 A1 * 12/2016 Wankoff H01R 24/52
2016/0352376 A1 * 12/2016 Shimizu H01Q 1/1228
2017/0264005 A1 * 9/2017 Roy H01Q 1/1228
2018/0352955 A1 * 12/2018 Corbo H05K 5/0234
2020/0185811 A1 * 6/2020 Willemsen H05K 5/03
2020/0287269 A1 * 9/2020 Hashiguchi H01Q 1/12
2020/0318674 A1 * 10/2020 Axelsson F16B 37/047
2020/0370707 A1 * 11/2020 Palanisamy F16M 13/022
2021/0066779 A1 * 3/2021 Udagave H01Q 1/246
2021/0075083 A1 * 3/2021 Udagave H01Q 1/125
2021/0167589 A1 * 6/2021 Klein H05K 7/02
2021/0190237 A1 * 6/2021 Bell H01Q 1/1228
2021/0194109 A1 * 6/2021 Shao H01Q 3/08
2021/0226314 A1 * 7/2021 Kolokotronis H01Q 1/1228
2021/0262588 A1 * 8/2021 Kruzel F16B 21/02

* cited by examiner

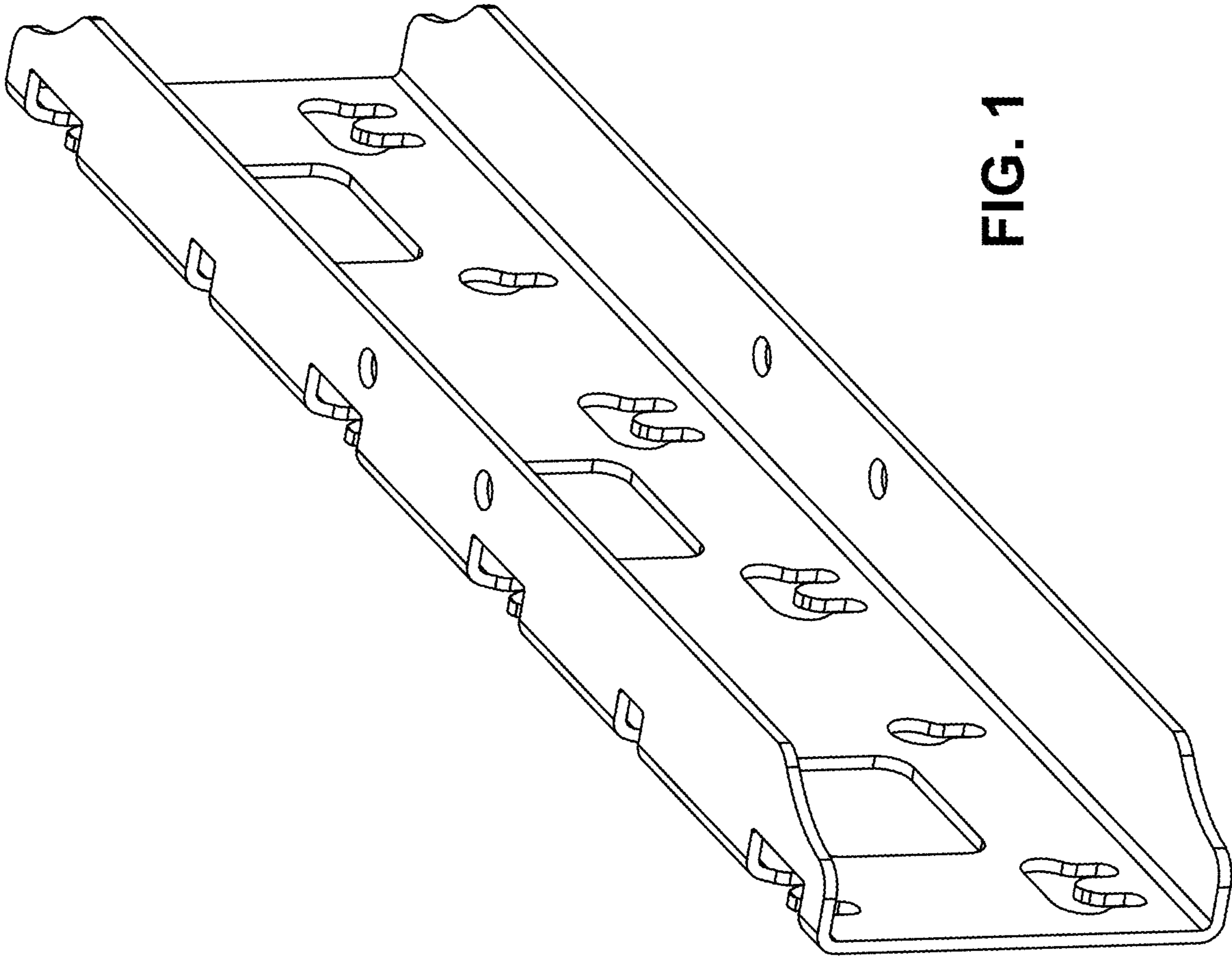


FIG. 1

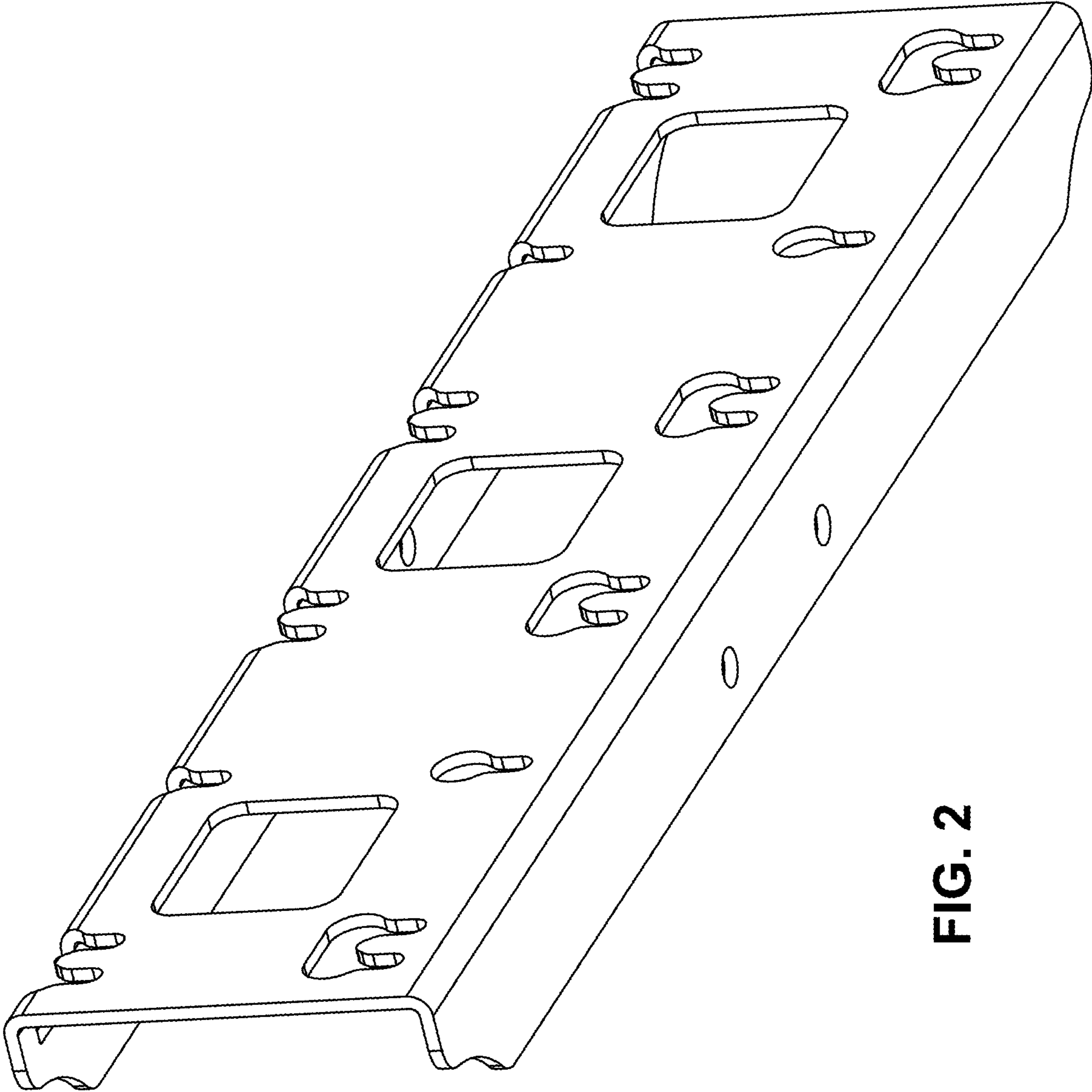


FIG. 2

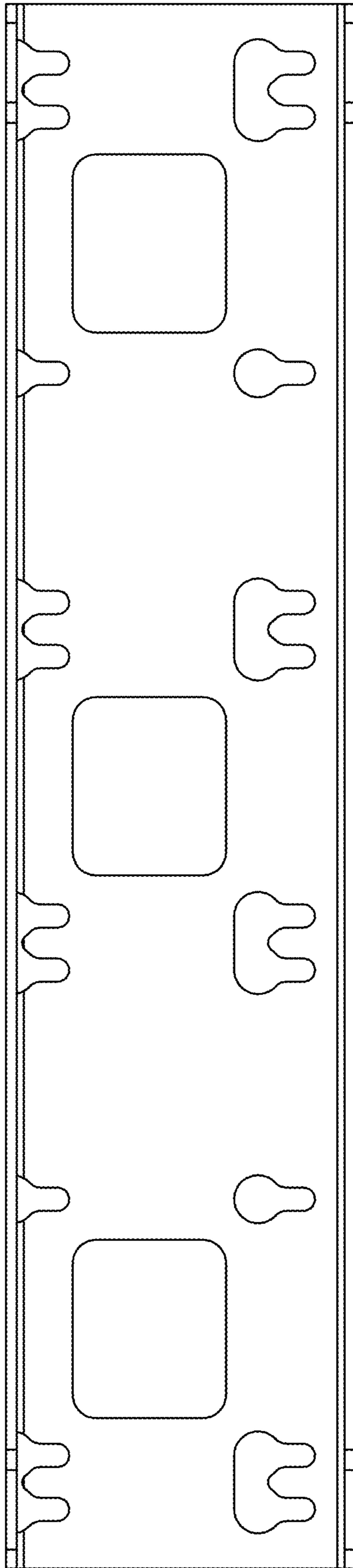


FIG. 3

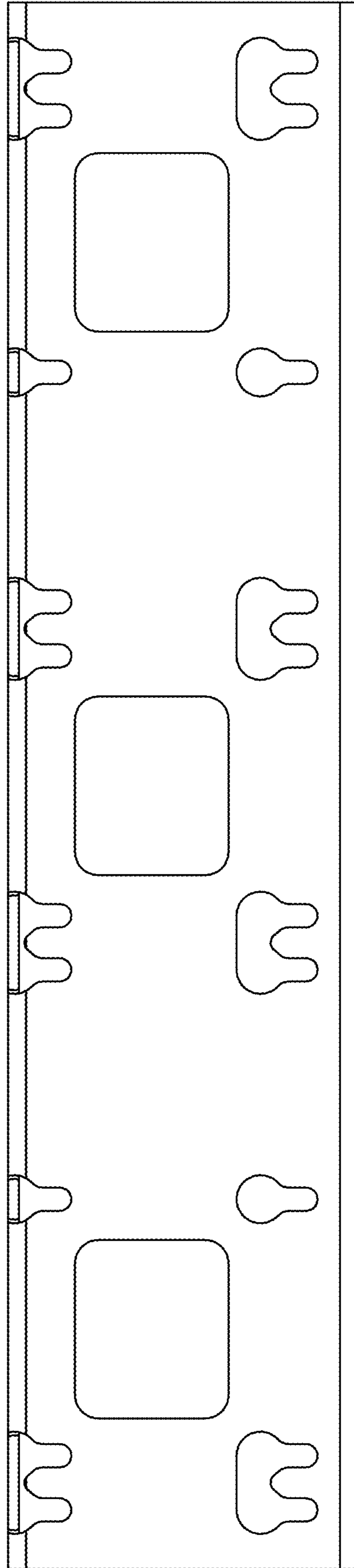


FIG. 4

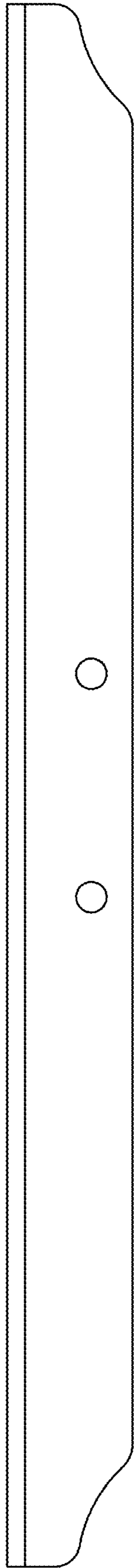


FIG. 5

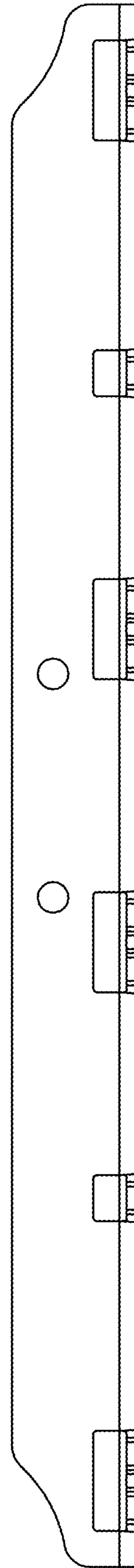


FIG. 6



FIG. 7