



US00D951760S

(12) **United States Design Patent**  
**Hsieh**

(10) **Patent No.:** **US D951,760 S**

(45) **Date of Patent:** **\*\* May 17, 2022**

(54) **ANTI-THEFT HANGING PACKAGING FOR TOOLS**

(71) Applicant: **Chih-Chien Hsieh**, Taichung (TW)

(72) Inventor: **Chih-Chien Hsieh**, Taichung (TW)

(\*\*) Term: **15 Years**

(21) Appl. No.: **29/711,523**

(22) Filed: **Oct. 31, 2019**

(51) **LOC (13) Cl.** ..... **08-05**

(52) **U.S. Cl.**

USPC ..... **D8/373**; D9/457; D9/415

(58) **Field of Classification Search**

USPC ..... D8/349, 353, 354, 373; D9/414, 415,  
D9/424-426; D20/42

CPC ..... G09F 3/02; G09F 3/04; G09F 3/08; G09F  
2003/0251; G09F 2003/0269; G09F  
2003/027; G09F 2003/0227; B65D  
2211/00; B65D 23/003; B65D 73/0064;  
B65D 73/0014; B65D 73/0042; B65D  
73/0021; B65D 73/0085; B65D 2575/368

See application file for complete search history.

(56) **References Cited**

**U.S. PATENT DOCUMENTS**

5,713,467	A *	2/1998	Kao	.....	B65D 73/0071 206/349
5,906,350	A *	5/1999	Kao	.....	A47F 7/0028 248/688
5,988,381	A *	11/1999	Ling	.....	B65D 73/0064 206/349
6,076,669	A *	6/2000	Ling	.....	B65D 73/0064 206/349
D430,488	S *	9/2000	Ito	.....	D9/415
6,164,463	A *	12/2000	Lee	.....	B25H 3/04 206/376

6,193,200	B1 *	2/2001	Kao	.....	B65D 73/0014 206/349
6,378,700	B1 *	4/2002	Tong	.....	B65D 73/0064 206/349
D480,963	S *	10/2003	Lee	.....	A47F 7/0028 D9/415
D494,066	S *	8/2004	Liu	.....	B65D 73/0071 D9/415
6,883,664	B2 *	4/2005	Lee	.....	B65D 5/02 206/349
D577,991	S *	10/2008	Chen	.....	B65D 5/02 D9/415

\* cited by examiner

*Primary Examiner* — Rachel A. Voorhies

*Assistant Examiner* — Benjamin D. Wannemacher

(74) *Attorney, Agent, or Firm* — Egbert, McDaniel & Swartz, PLLC

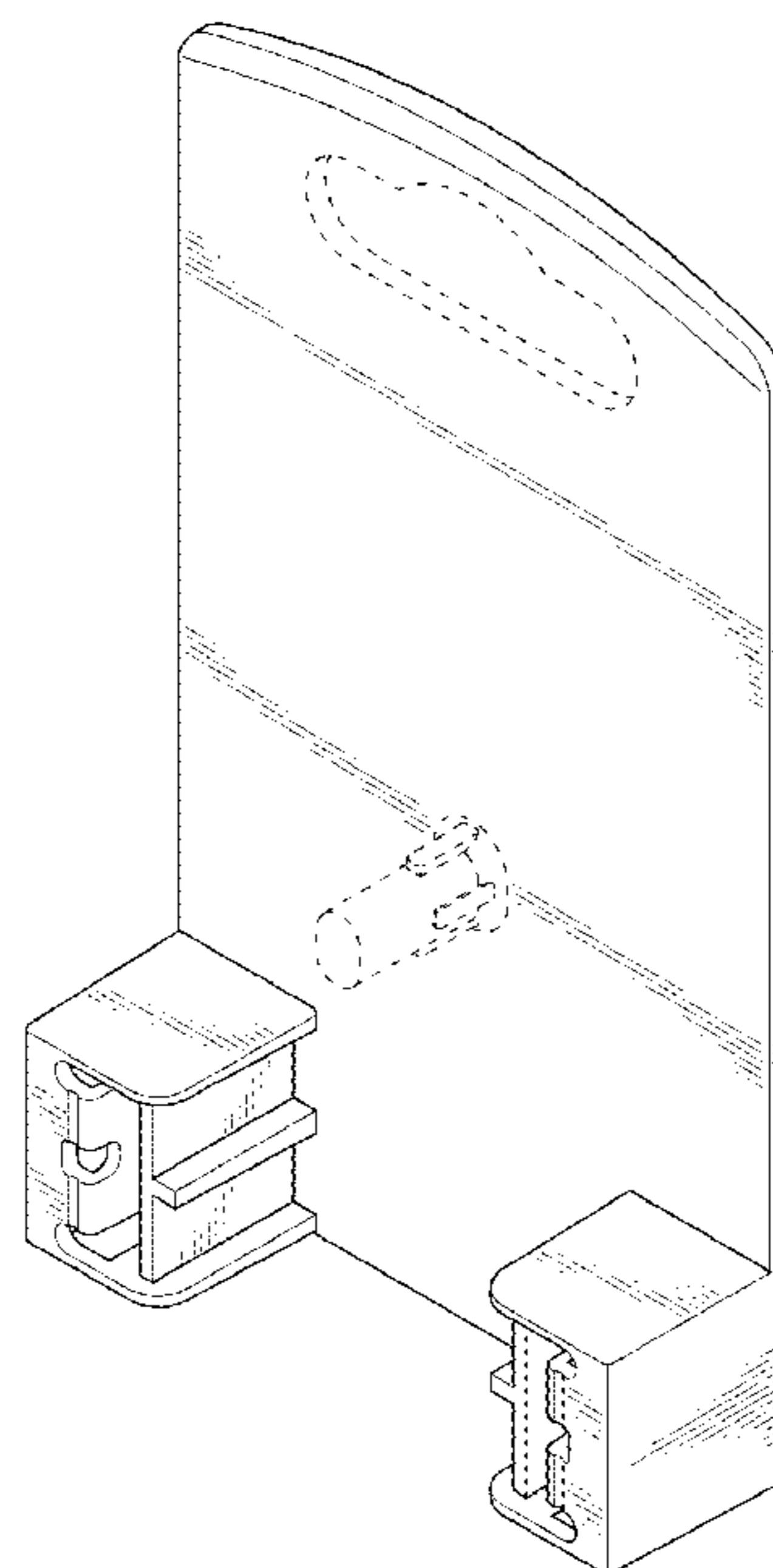
(57) **CLAIM**

The ornamental design for an anti-theft hanging packaging for tools, as shown and described.

**DESCRIPTION**

FIG. 1 is a perspective view of an anti-theft hanging packaging for tools showing my new design; FIG. 2 is a front view thereof; FIG. 3 is a rear view thereof; FIG. 4 is a side view thereof; FIG. 5 is an opposite side view thereof; FIG. 6 is a top plan view thereof; FIG. 7 is a bottom plan view thereof; and, FIG. 8 is a cross-sectional view thereof. The broken lines in FIGS. 1-7 depict unclaimed portions of the anti-theft hanging packaging for tools that form no part of the claimed design.

**1 Claim, 7 Drawing Sheets**



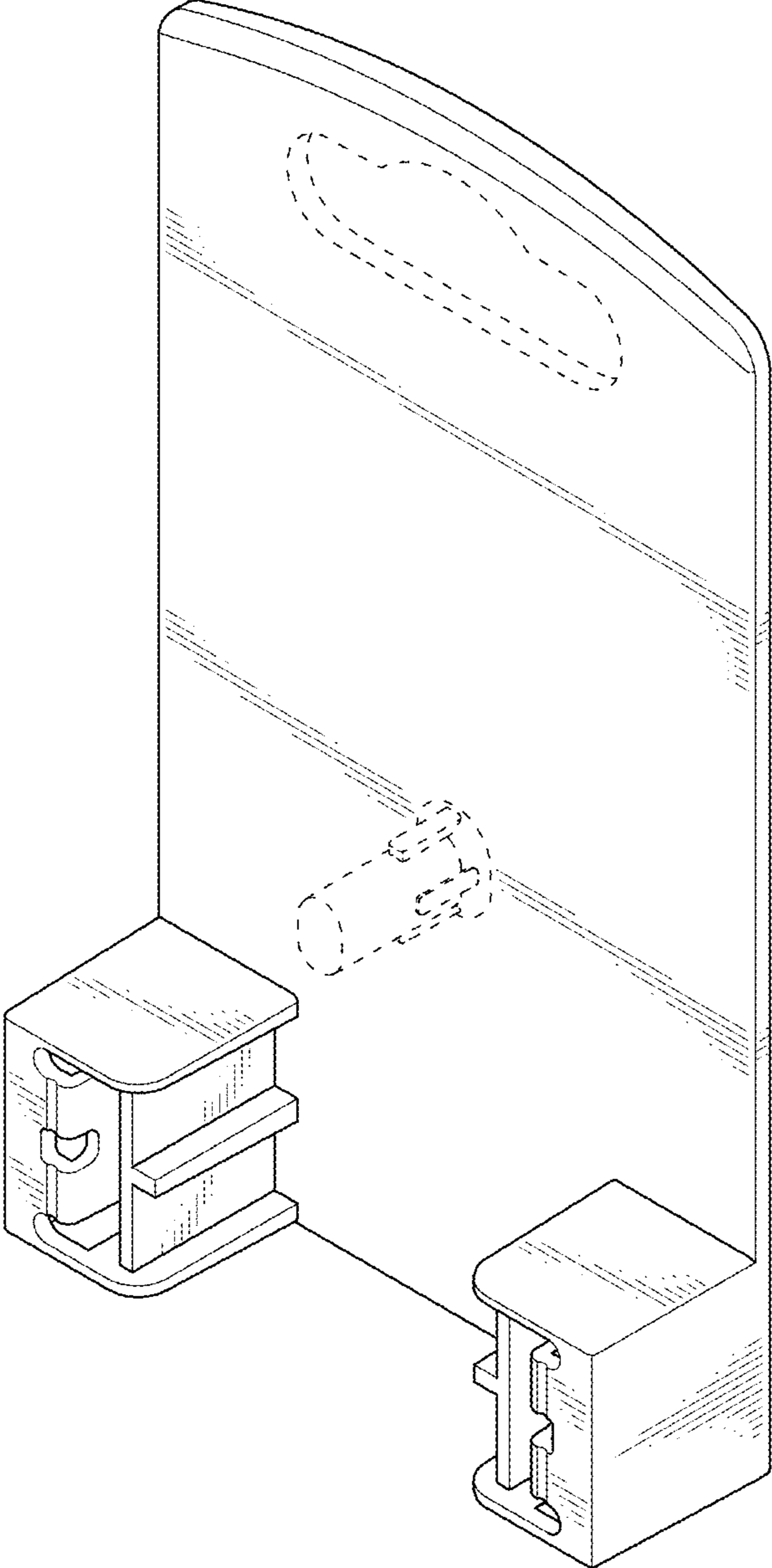


FIG.1

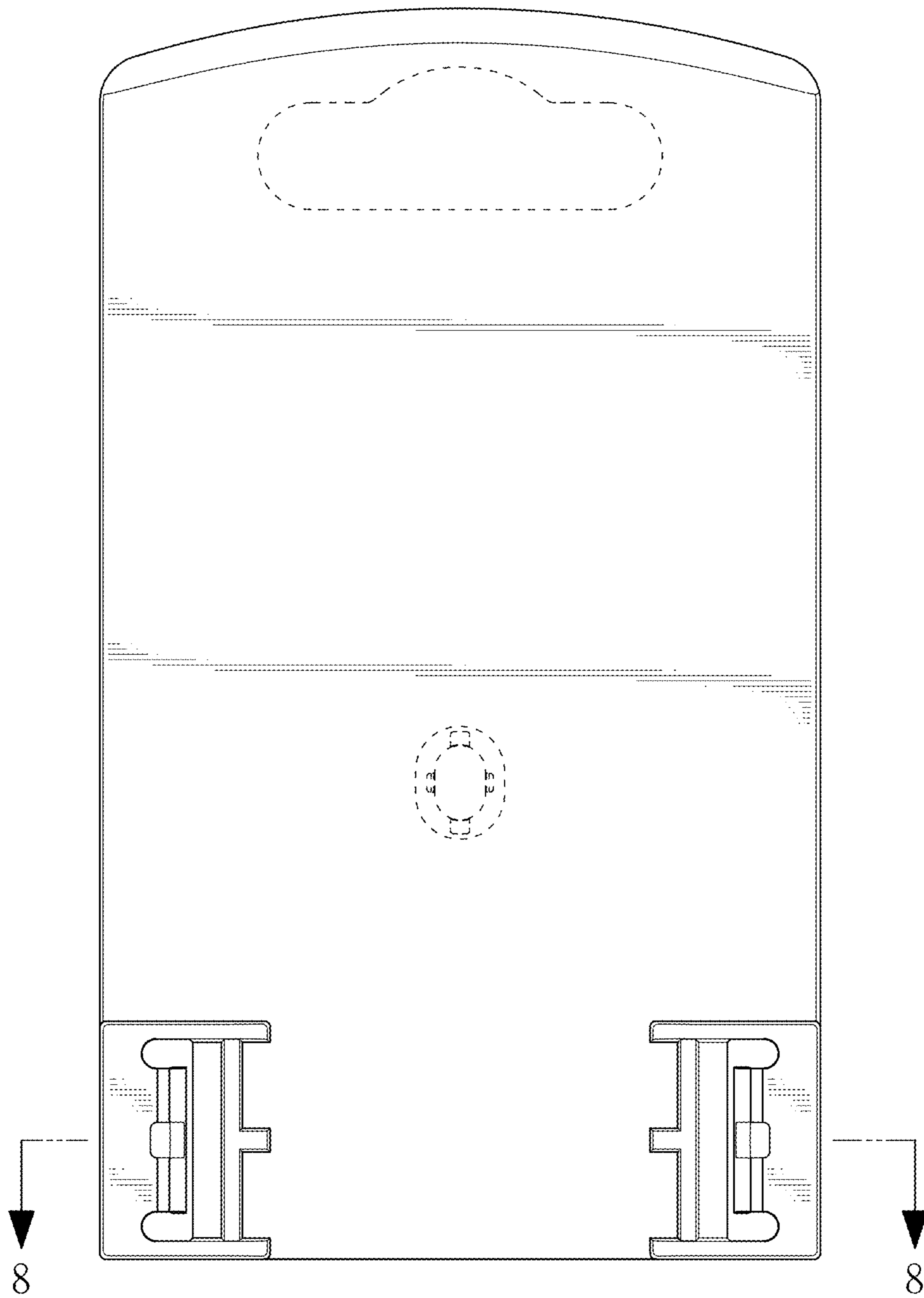


FIG. 2

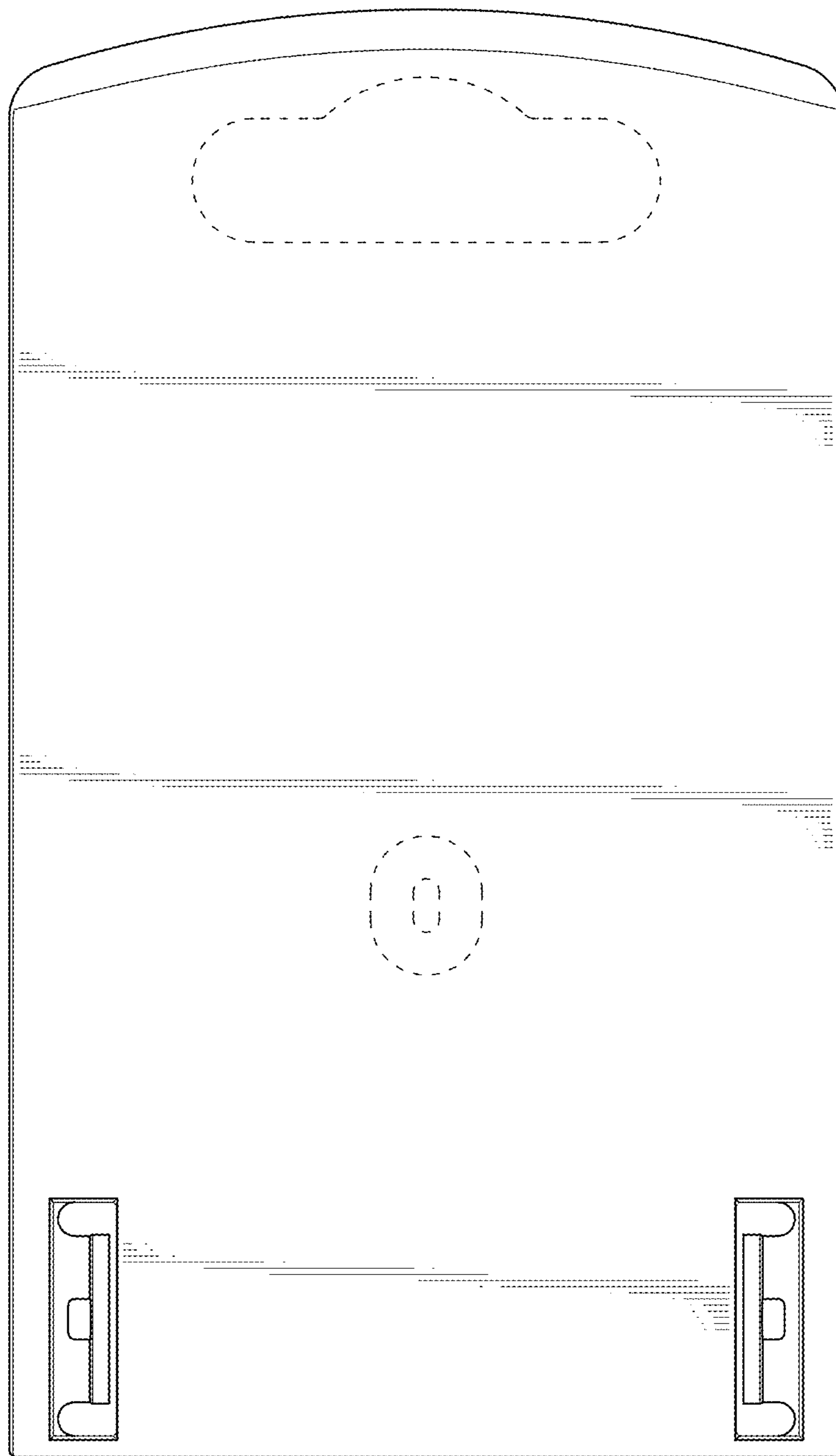


FIG. 3

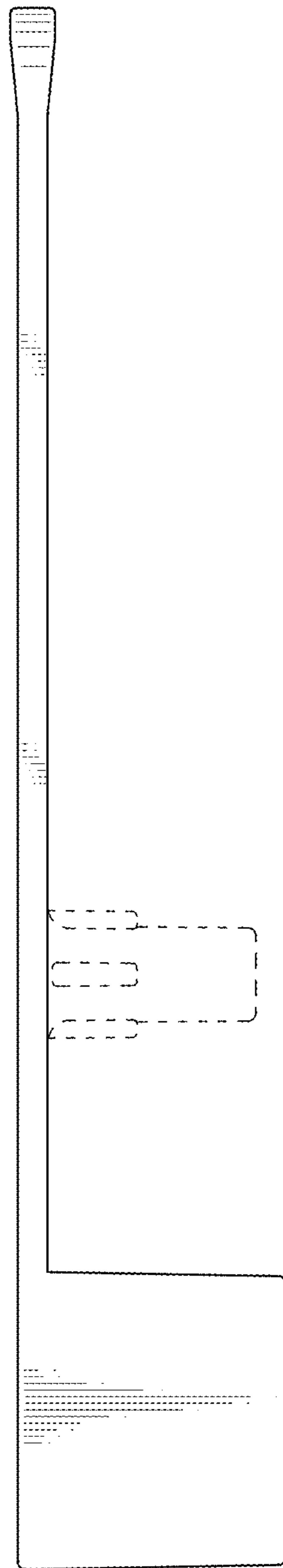


FIG. 4

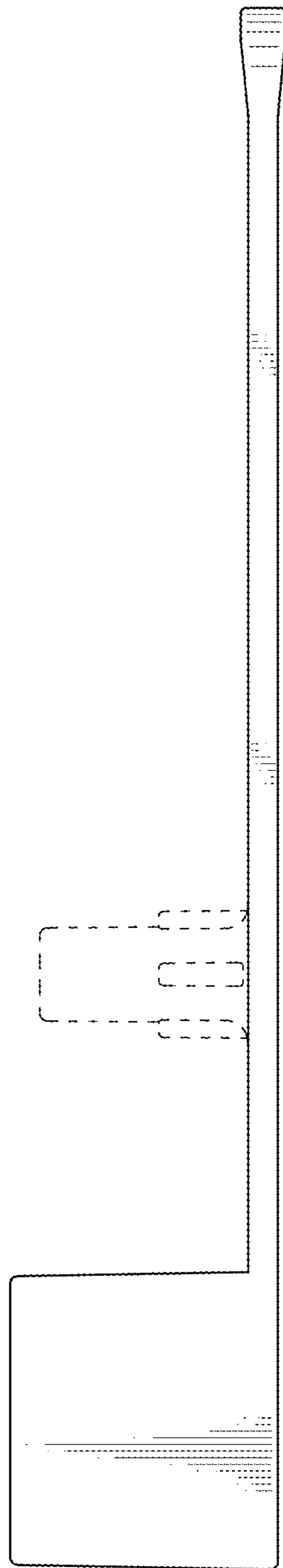


FIG.5

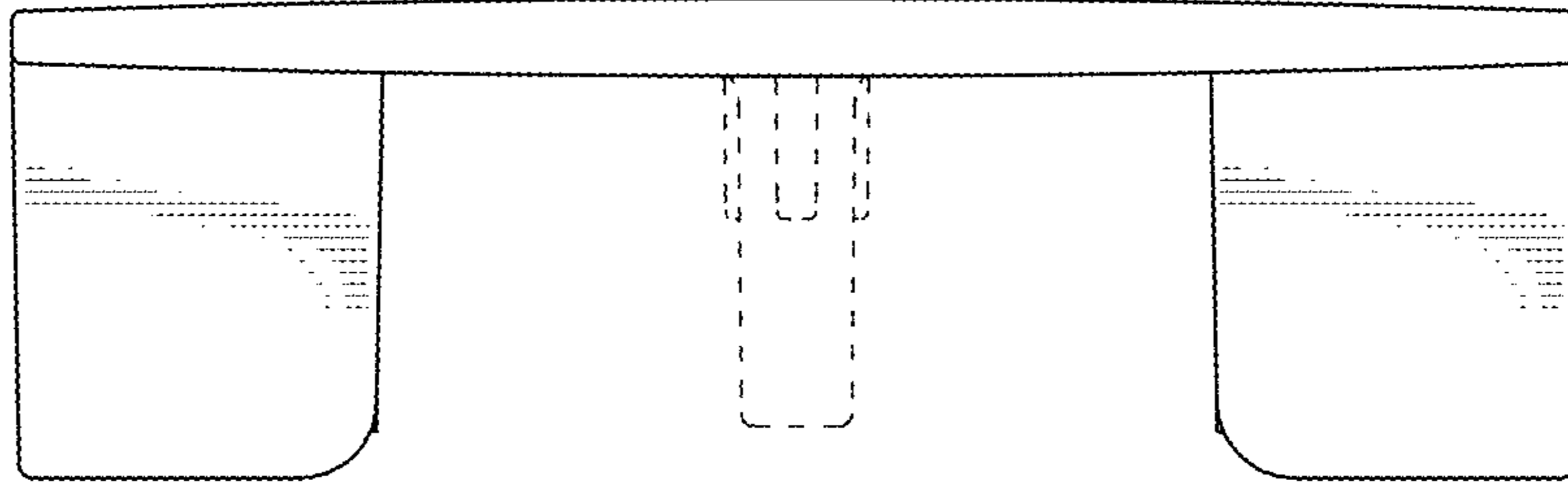


FIG. 6

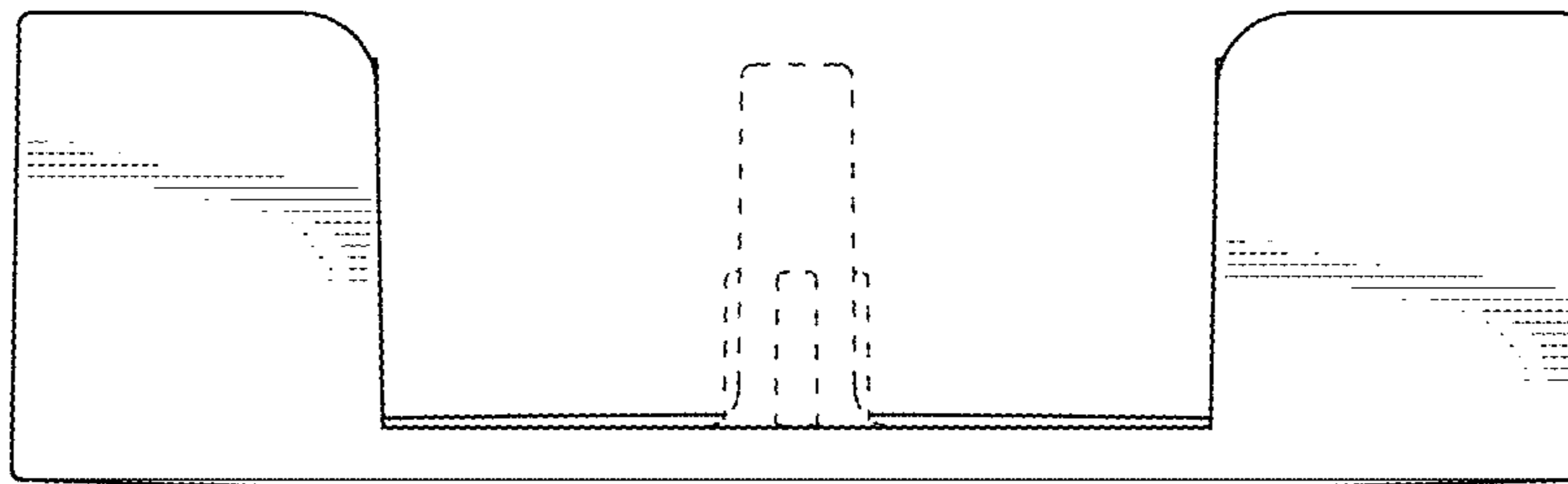


FIG. 7

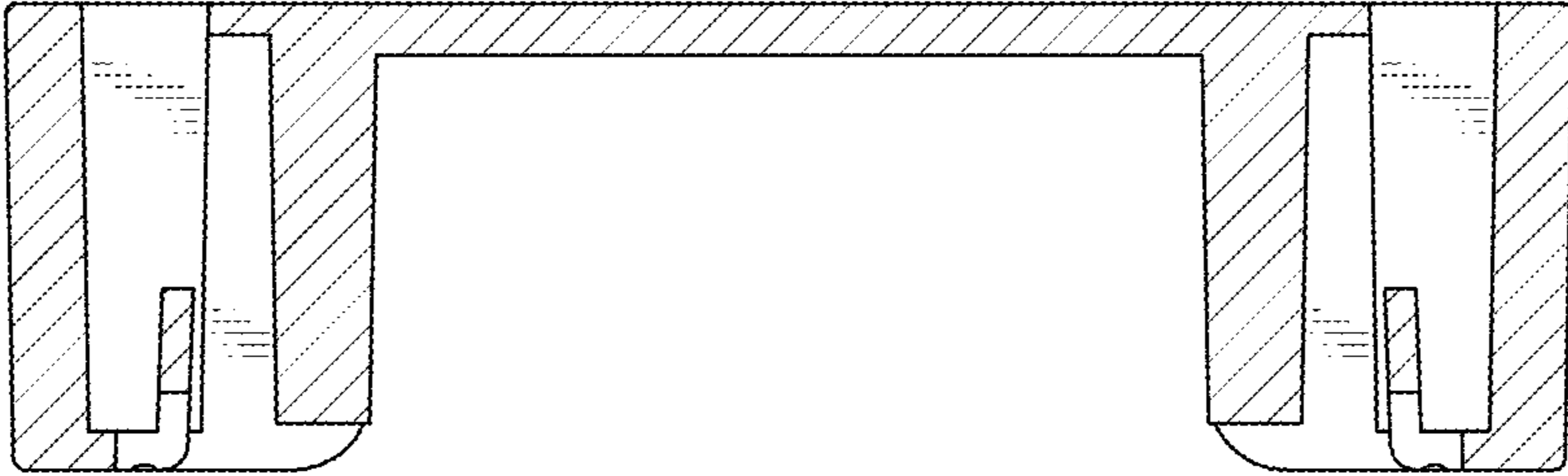


FIG. 8