



US00D951758S

(12) **United States Design Patent**
Luscombe et al.

(10) **Patent No.:** **US D951,758 S**
(45) **Date of Patent:** **** May 17, 2022**

- (54) **MOUNTING BRACKET**
- (71) Applicant: **Polyplas International Pty Ltd,**
Rowville (AU)
- (72) Inventors: **Peter Luscombe,** Rowville (AU);
Lachlan Rhodes, Rowville (AU); **John**
Jansen Van Vuuren, Rowville (AU)
- (73) Assignee: **Polyplas International Pty Ltd,**
Rowville (AU)
- (**) Term: **15 Years**
- (21) Appl. No.: **29/645,206**
- (22) Filed: **Apr. 24, 2018**
- (30) **Foreign Application Priority Data**
Oct. 24, 2017 (AU) 201716456
- (51) **LOC (13) Cl.** **08-05**
- (52) **U.S. Cl.**
USPC **D8/367**
- (58) **Field of Classification Search**
USPC D8/354, 367, 372, 373, 394; D6/323
CPC F16B 45/00; F16B 25/103; F16B 25/0021;
F16B 7/22; F16B 5/07; F16B 7/18; F16B
13/124
See application file for complete search history.

- (56) **References Cited**
U.S. PATENT DOCUMENTS
2,213,747 A * 9/1940 Solt A47F 5/08
248/300
3,385,547 A * 5/1968 West B60R 7/10
248/308
4,083,525 A * 4/1978 Rath A47G 1/1613
248/224.8
D344,010 S * 2/1994 Brazis D8/367

- D378,313 S * 3/1997 Doyle D24/128
- 5,971,684 A * 10/1999 Wang B60P 7/0807
410/107
- 6,637,707 B1 * 10/2003 Gates A47B 81/005
211/64
- 9,016,642 B1 * 4/2015 Ay B60R 7/10
248/205.1
- D773,289 S * 12/2016 Green D8/372
- D836,421 S * 12/2018 Luscombe D8/354
- 2003/0085331 A1 * 5/2003 Week A47G 1/20
248/475.1
- 2005/0061940 A1 * 3/2005 Brnjac A47G 25/065
248/317
- 2009/0224123 A1 * 9/2009 Chen F16B 45/00
248/304
- 2013/0168517 A1 * 7/2013 Chu F16B 45/00
248/304
- 2017/0152988 A1 * 6/2017 Tseng F16B 45/00

* cited by examiner

Primary Examiner — Lauren R Calve
(74) *Attorney, Agent, or Firm* — Collard & Roe, P.C.

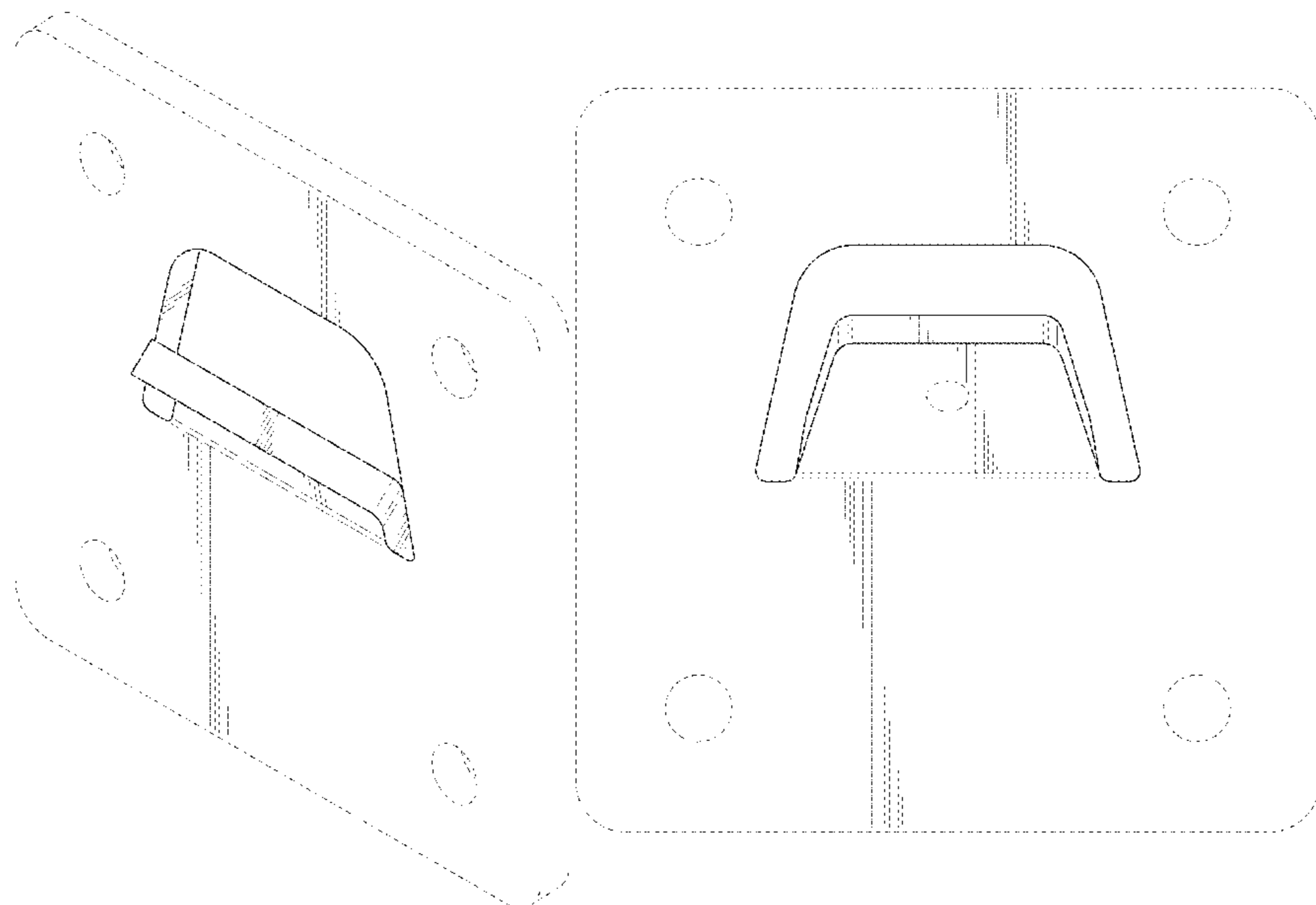
(57) **CLAIM**

The ornamental design for a mounting bracket, as shown and described.

DESCRIPTION

FIG. 1 is a perspective view of a mounting bracket showing our new design;
FIG. 2 is a top view of the mounting bracket of FIG. 1;
FIG. 3 is a right-side view of the mounting bracket of FIG. 1 with the opposite side being a mirror image;
FIG. 4 is a bottom view of the mounting bracket of FIG. 1;
FIG. 5 is a rear view of the mounting bracket of FIG. 1; and,
FIG. 6 is a front view of the mounting bracket of FIG. 1.
The broken lines and areas within the broken lines where contour shading is not shown illustrate portions of the mounting bracket that form no part of the claimed design.

1 Claim, 5 Drawing Sheets



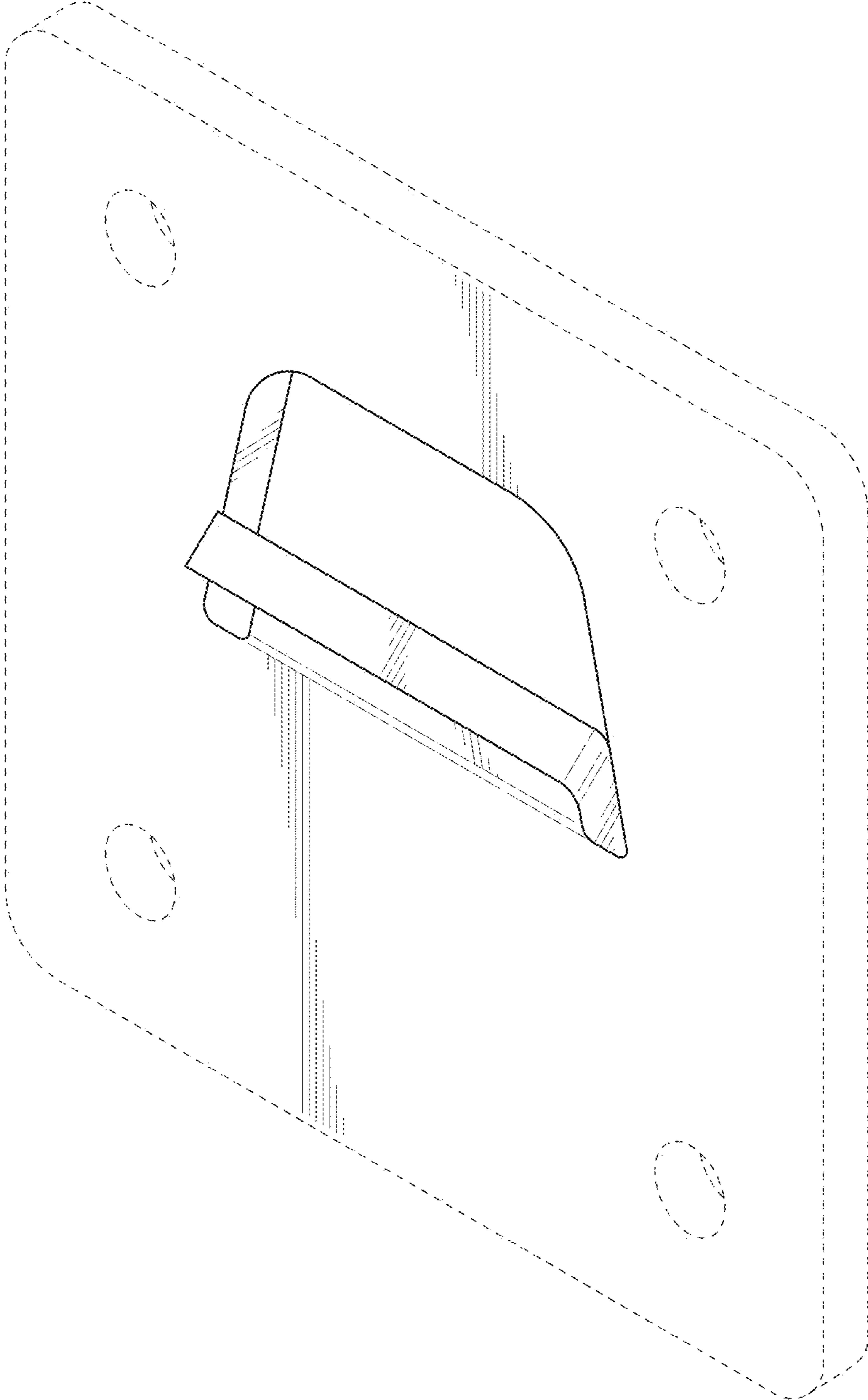


FIG. 1

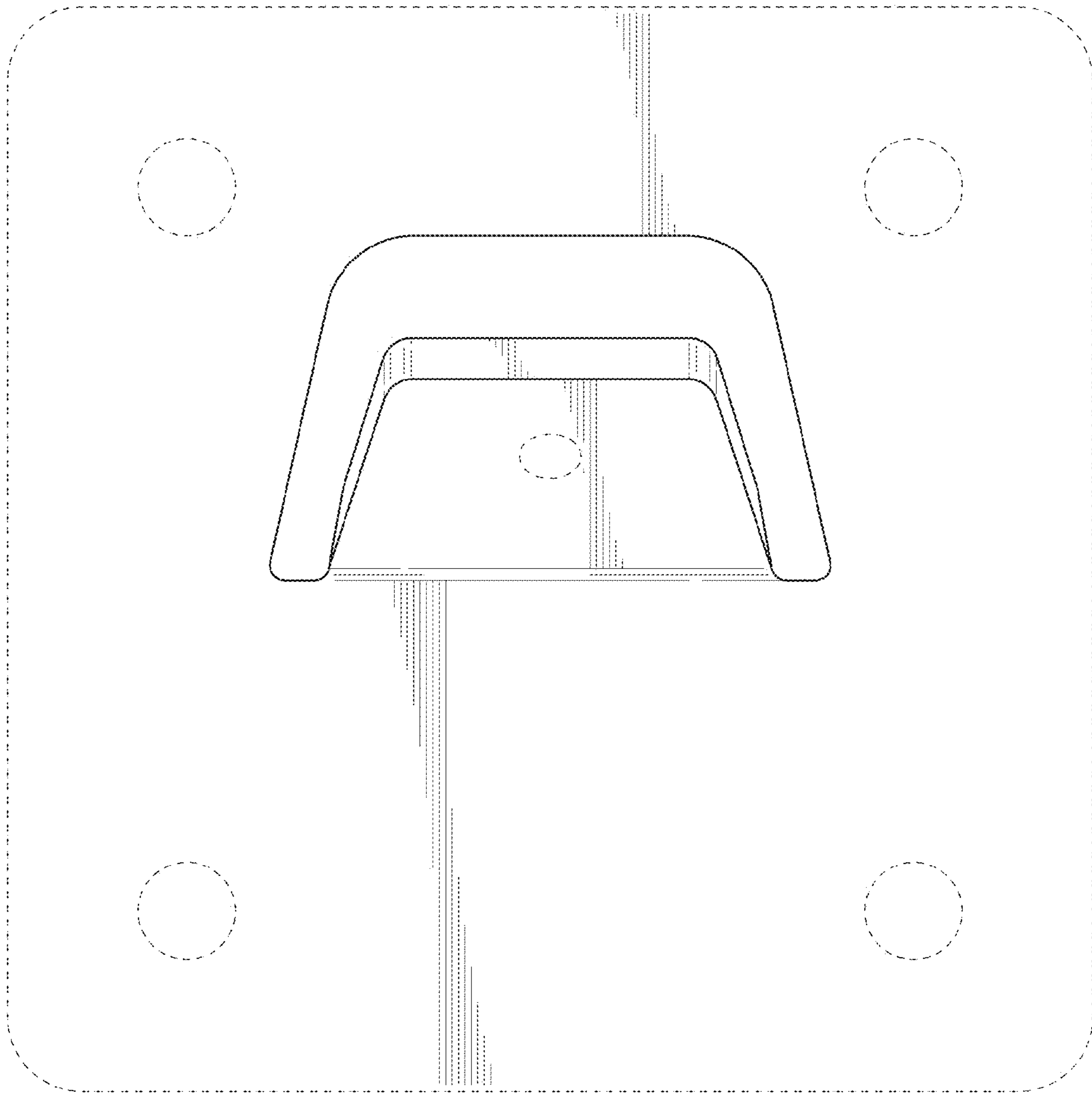


FIG. 2

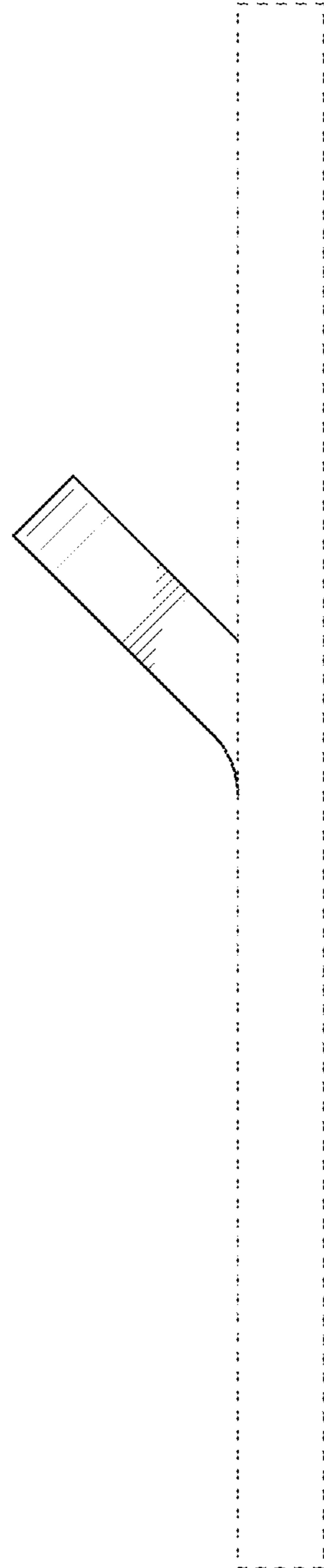


FIG. 3

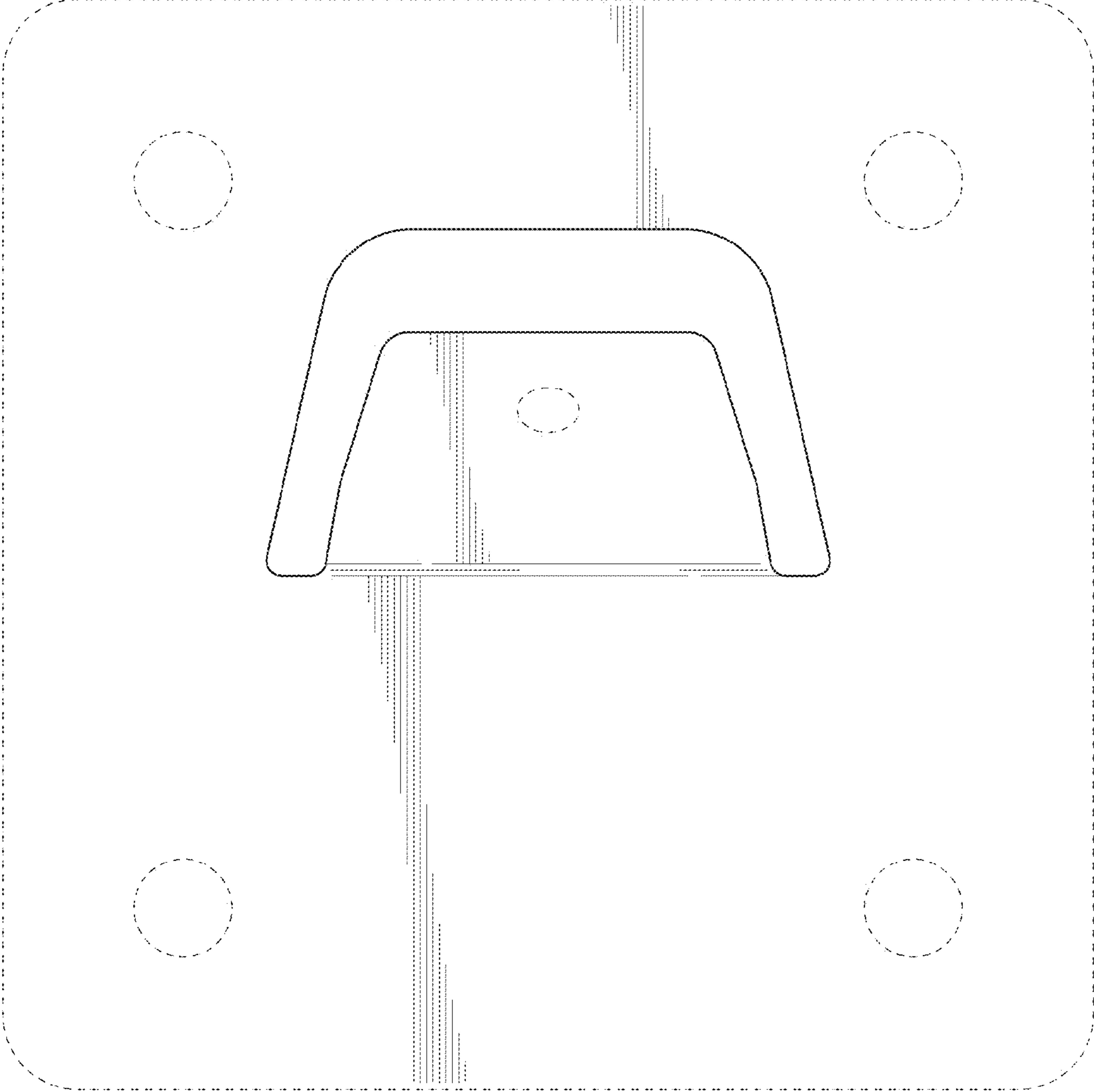


FIG. 4

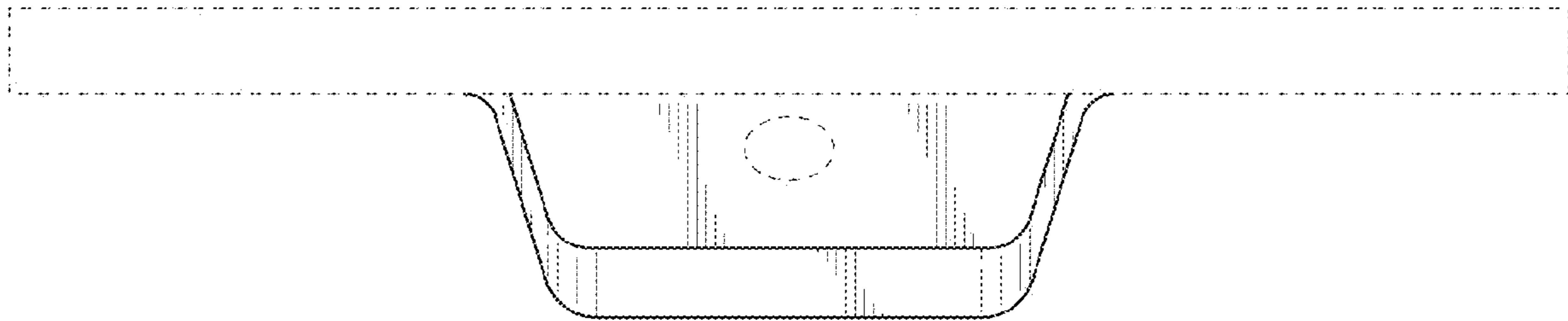


FIG. 5

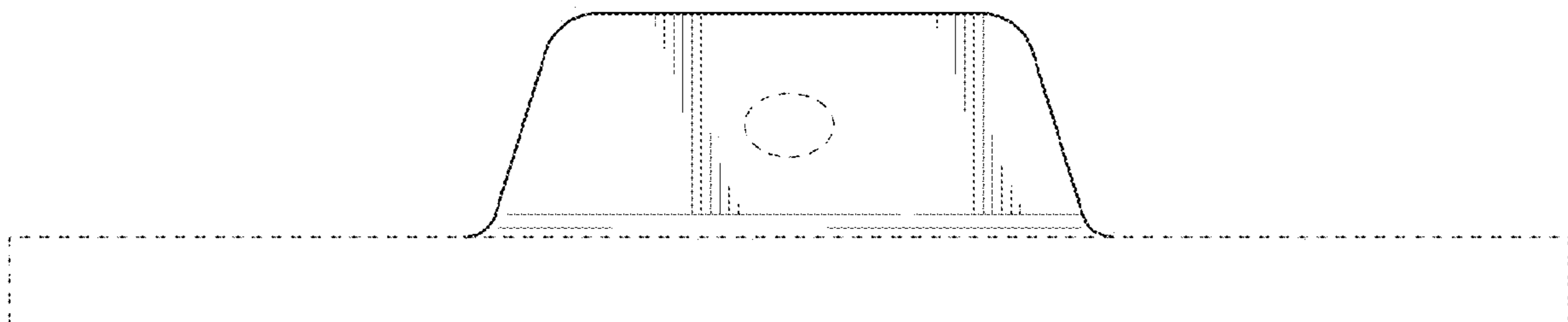


FIG. 6