



US00D951757S

(12) **United States Design Patent**
Smith

(10) **Patent No.:** **US D951,757 S**

(45) **Date of Patent:** **** May 17, 2022**

(54) **GAS SPRING MOUNTING BRACKET**

(71) Applicant: **Firestone Industrial Products Company, LLC**, Nashville, TN (US)

(72) Inventor: **Scott A. Smith**, Brownsburg, IN (US)

(73) Assignee: **Firestone Industrial Products Company, LLC**, Nashville, TN (US)

(**) Term: **15 Years**

(21) Appl. No.: **29/651,946**

(22) Filed: **Jul. 9, 2019**

(51) **LOC (13) Cl.** **08-05**

(52) **U.S. Cl.**
USPC **D8/366**

(58) **Field of Classification Search**

USPC D8/316, 358, 359, 363, 366, 370, 371,
D8/372, 373, 382, 374, 375, 376, 377;
D7/600.4

CPC A47G 7/047; A47G 7/045; A47G 7/042;
A47G 7/044; A01G 9/024; A01G 25/14;
A01G 27/001; A01G 9/042; A01G
27/005; A01G 31/001; A01G 9/02; A01G
9/083; A01G 9/12; B60G 2400/05146;
B60G 15/00; B60G 11/27; B60G 11/28;
B62B 1/10; B62B 1/264; B62B 1/14;
B25G 1/08; B25G 1/10; B65H 75/40;
B65H 75/4407; B65H 75/4471; B65H
2701/34; B65H 2701/32; B65H 2511/142;
B65H 29/008; B65H 75/22; B65D 85/66;
B65D 85/67;

(Continued)

(56) **References Cited**

U.S. PATENT DOCUMENTS

D326,604 S * 6/1992 Stubbersfield D8/373
D329,372 S * 9/1992 Wilms D8/363

(Continued)

Primary Examiner — Leanne Was-Englehart

(74) *Attorney, Agent, or Firm* — Thomas R. Kingsbury;
Matthew P. Dugan

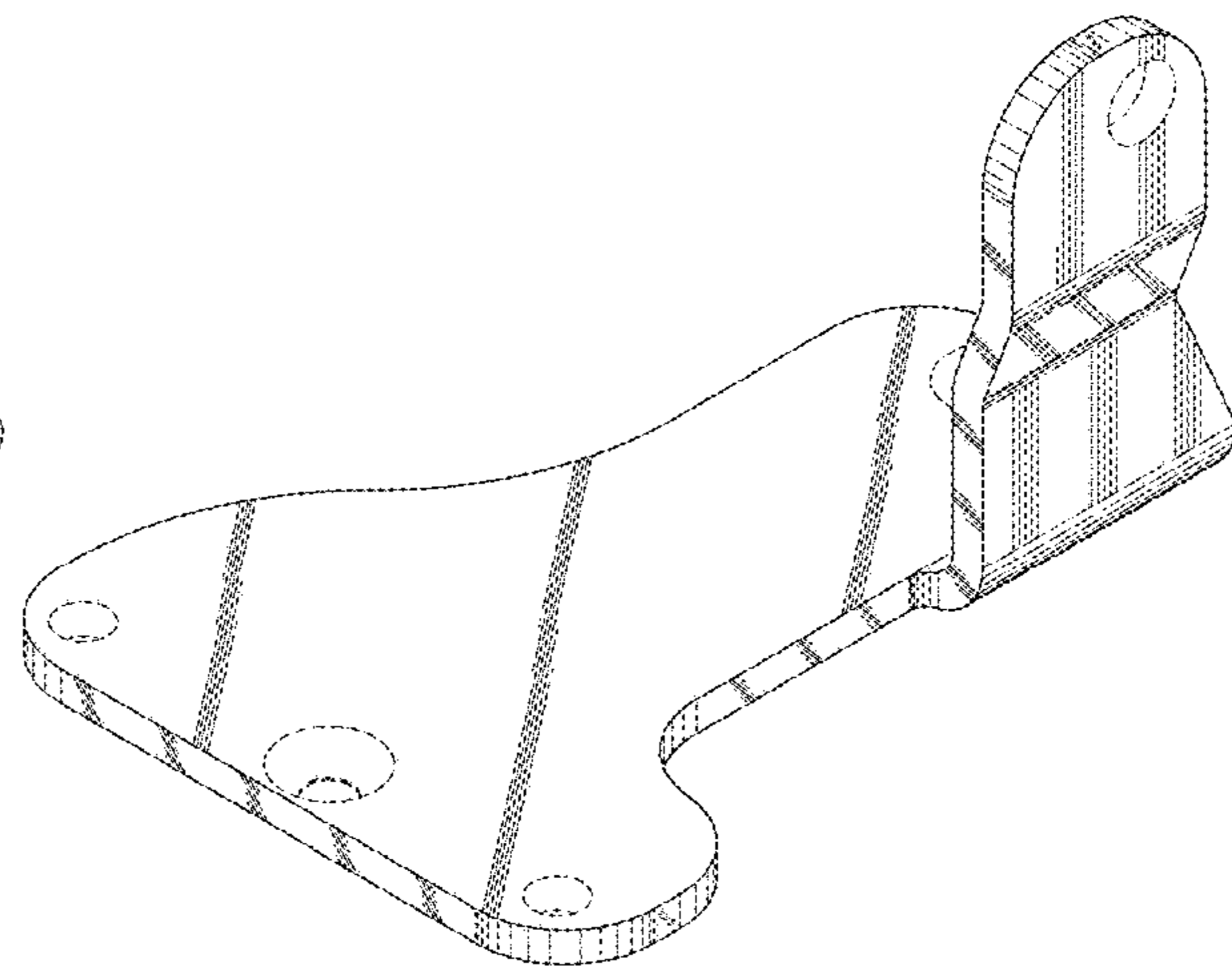
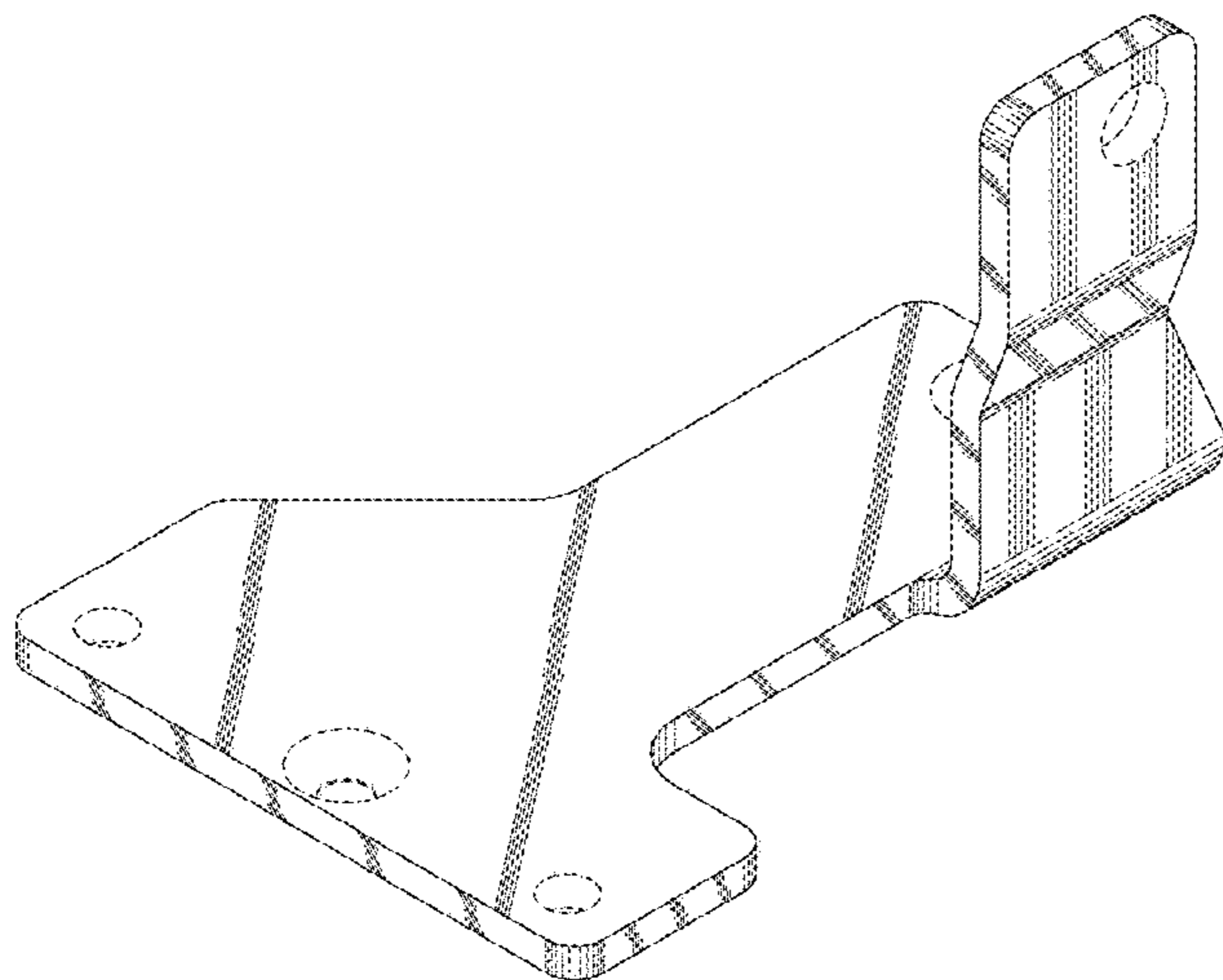
(57) **CLAIM**

The ornamental design for a gas spring mounting bracket, as shown and described.

DESCRIPTION

FIG. 1 is a top perspective view of a gas spring mounting bracket illustrating a first embodiment of my new design; FIG. 2 is a bottom perspective view thereof; FIG. 3 is a front elevation view thereof; FIG. 4 is a rear elevation view thereof; FIG. 5 is a top plan view thereof; FIG. 6 is a bottom plan view thereof; FIG. 7 is a left side elevation view thereof; FIG. 8 is a right side elevation view thereof; FIG. 9 is a top perspective view of a gas spring mounting bracket illustrating a second embodiment of my new design; FIG. 10 is a bottom perspective view thereof; FIG. 11 is a front elevation view thereof; FIG. 12 is a rear elevation view thereof; FIG. 13 is a top plan view thereof; FIG. 14 is a bottom plan view thereof; FIG. 15 is a left side elevation view thereof; FIG. 16 is a right side elevation view thereof; FIG. 17 is a top perspective view of a gas spring mounting bracket illustrating a third embodiment of my new design; FIG. 18 is a bottom perspective view thereof; FIG. 19 is a front elevation view thereof; FIG. 20 is a rear elevation view thereof; FIG. 21 is a top plan view thereof; FIG. 22 is a bottom plan view thereof; FIG. 23 is a left side elevation view thereof; and, FIG. 24 is a right side elevation view thereof. Dashed lines in FIGS. 1-6, 9-14 and 17-22 illustrate unclaimed apertures of the mounting brackets that form no part of the claimed design.

1 Claim, 24 Drawing Sheets



(58) **Field of Classification Search**

CPC E06B 11/00; E06B 11/021; E06B 11/022;
E06B 11/023; E04F 11/1804; E04F
11/1808; E04F 11/1812; G12B 3/00;
G12B 3/06; F02D 9/04; F02D 9/101;
F02D 9/10; A47F 7/14; A47F 7/16; A47F
7/143; A47F 5/08; A47F 5/0807; A47F
5/0815; A47F 5/0838; A47F 5/0846;
A47F 5/0853; A47F 5/105; F16F 9/0454

See application file for complete search history.

(56) **References Cited**

U.S. PATENT DOCUMENTS

D406,050	S	*	2/1999	DeSouza	D8/363
D436,311	S	*	1/2001	Edvardsson	D8/382
D470,395	S	*	2/2003	Valiulis	D8/354
D529,792	S	*	10/2006	Klein	D8/373
D607,312	S	*	1/2010	Silverman	D8/373
D650,483	S	*	12/2011	Roggenkamp	D24/184
8,308,324	B2	*	11/2012	Van Horn	F21S 2/005 362/427
D733,531	S	*	7/2015	Tonthat	D8/354
D793,784	S	*	8/2017	Louthan, Jr.	D6/702
D799,693	S	*	10/2017	Mueller	D24/128
D829,537	S	*	10/2018	Smith	D8/366

* cited by examiner

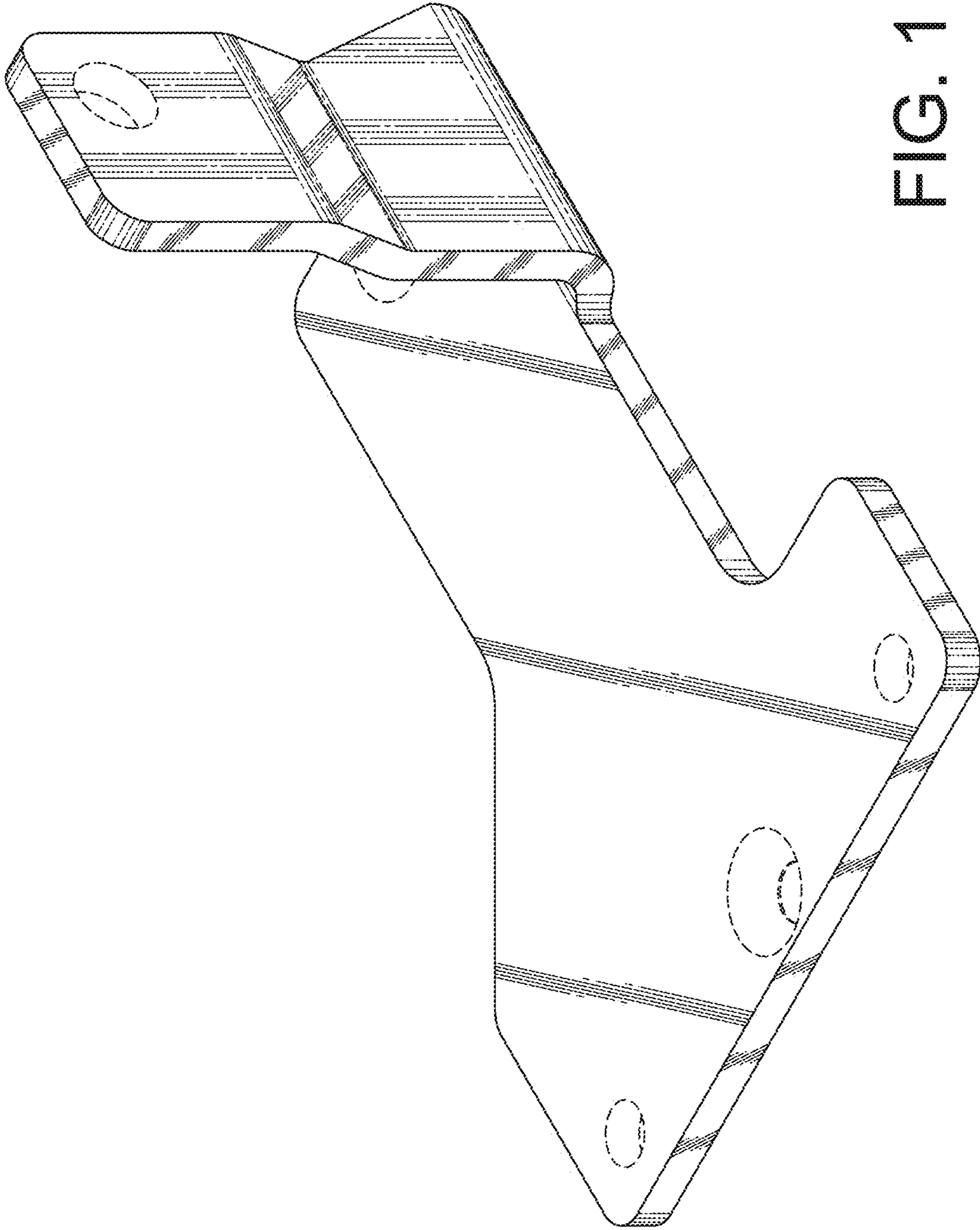


FIG. 1

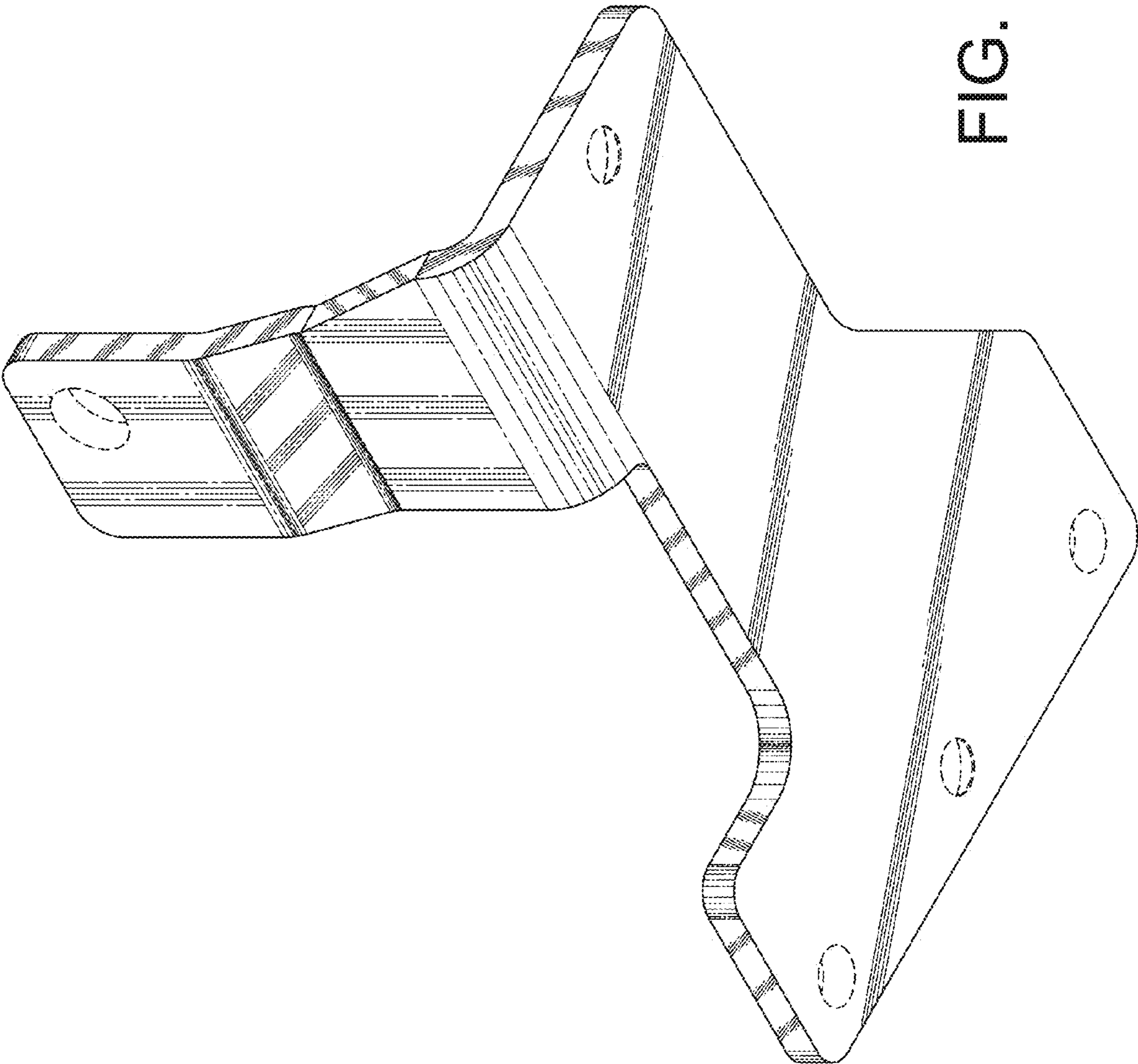


FIG. 2

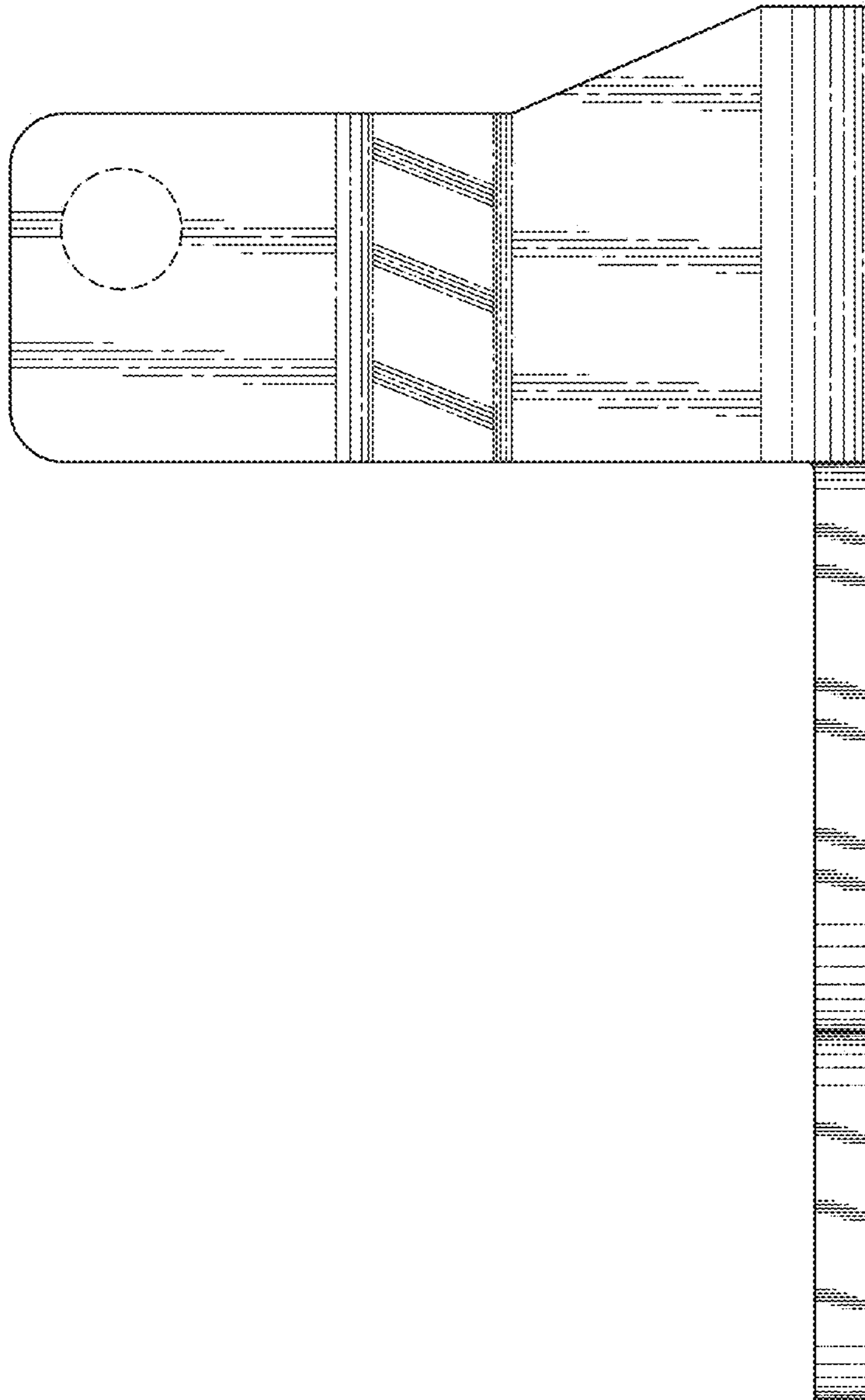


FIG. 3

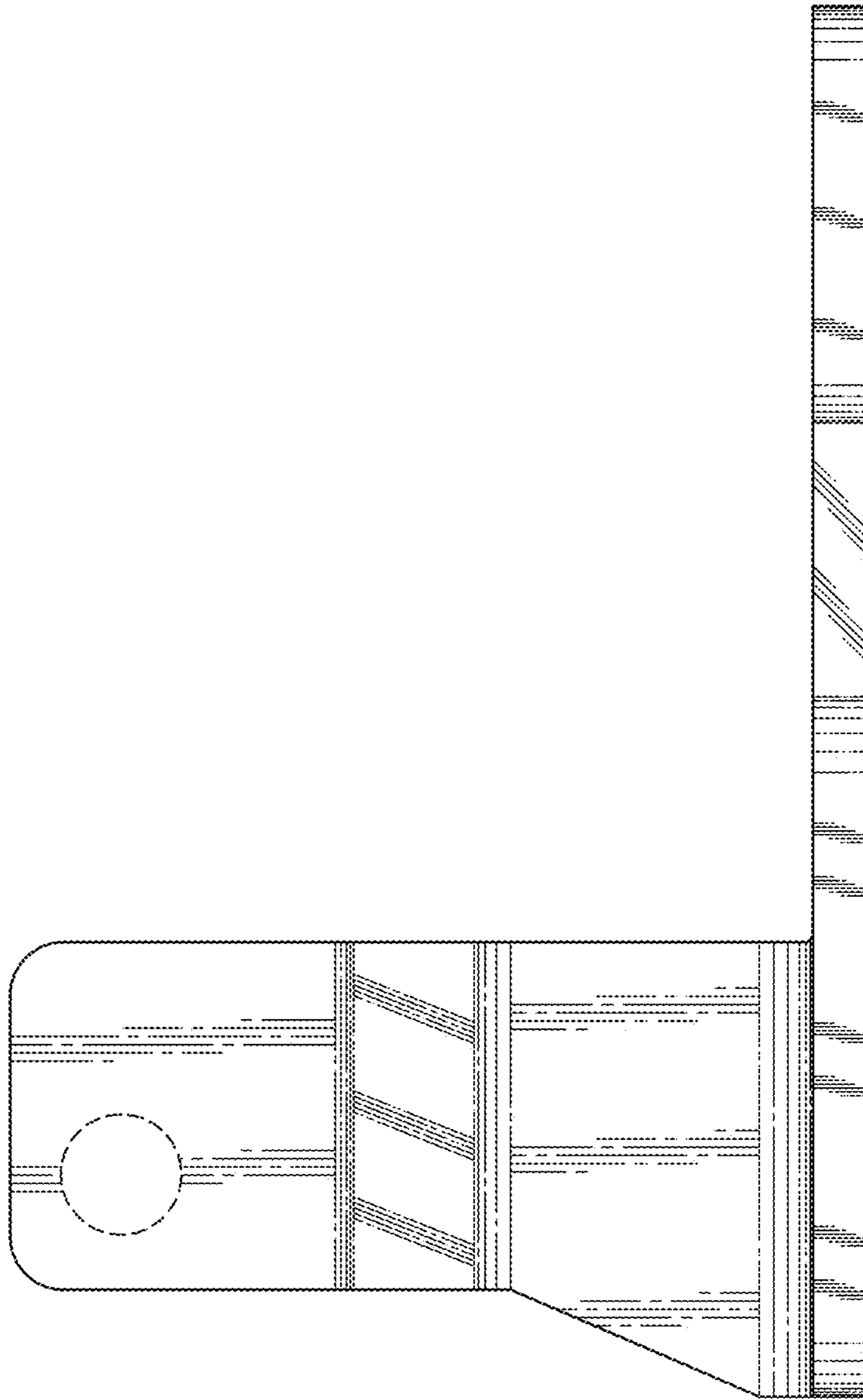


FIG. 4

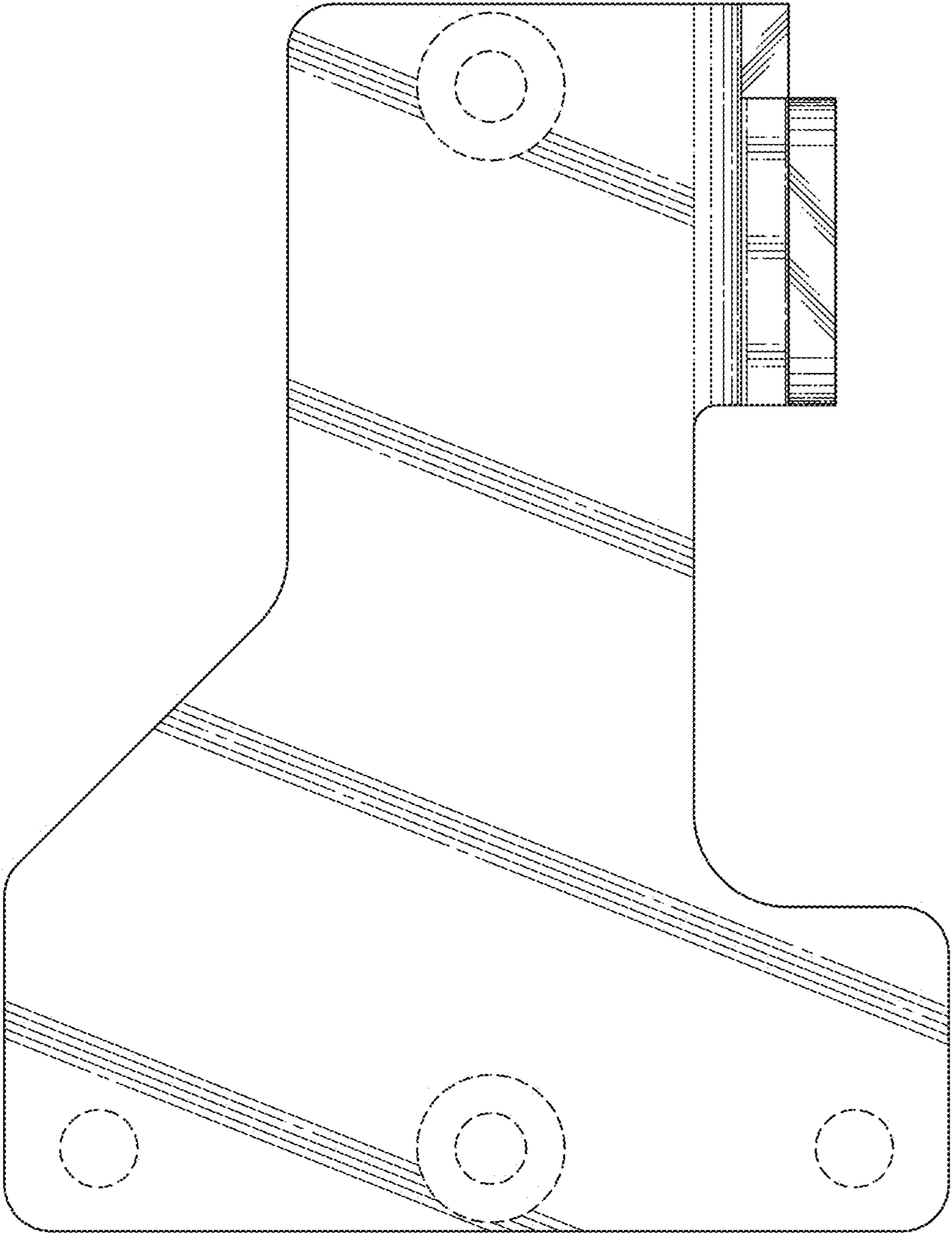


FIG. 5

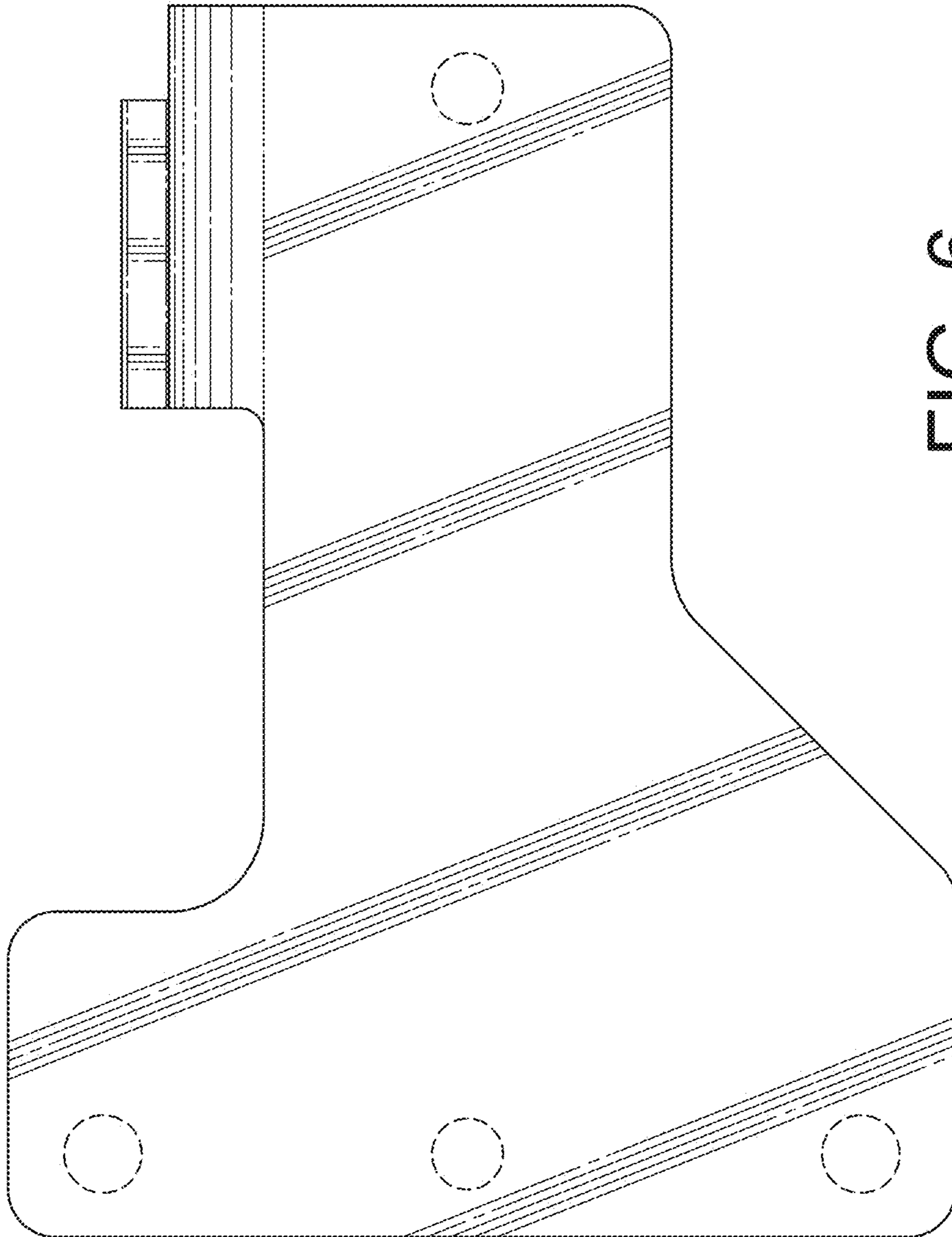


FIG. 6

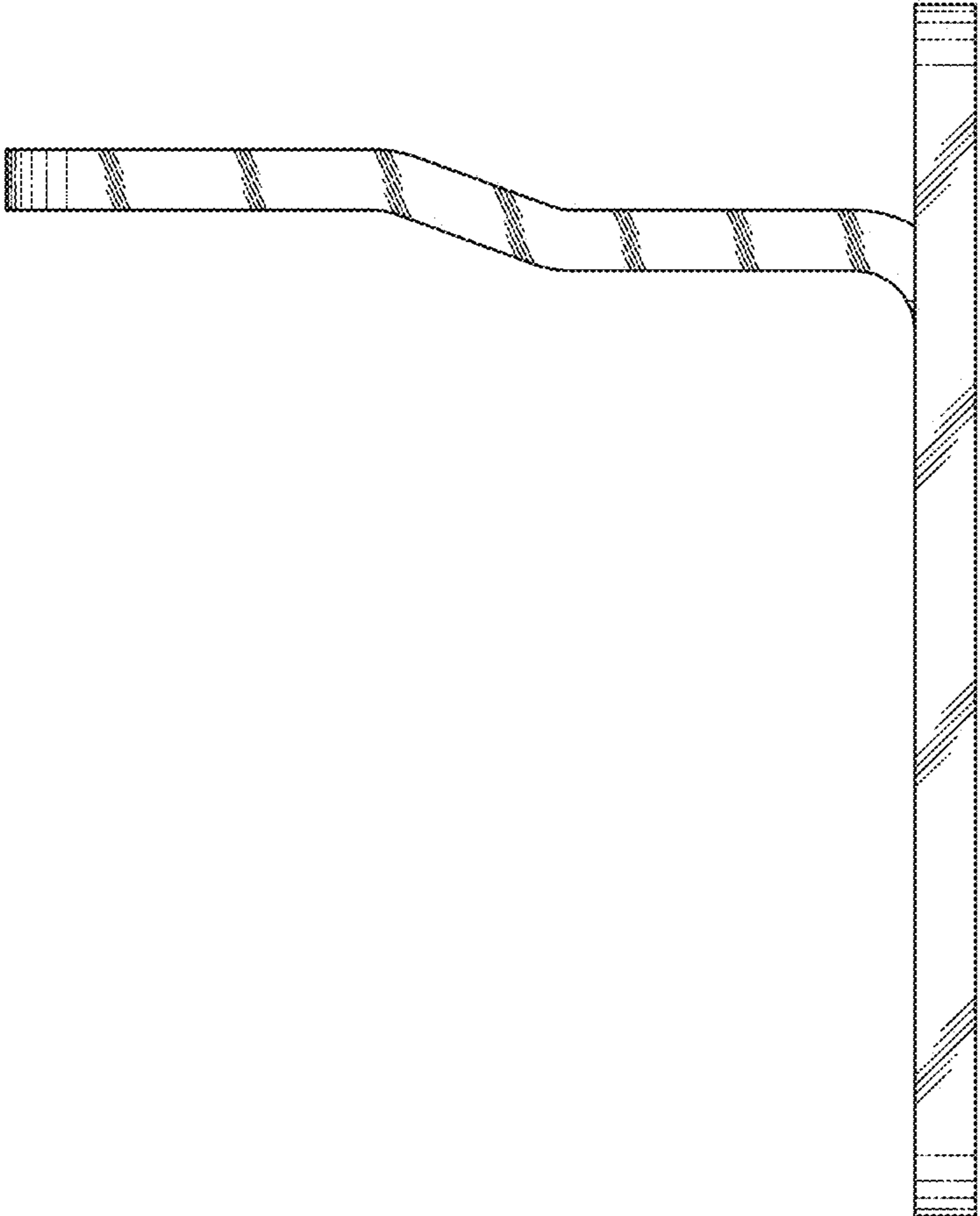


FIG. 7

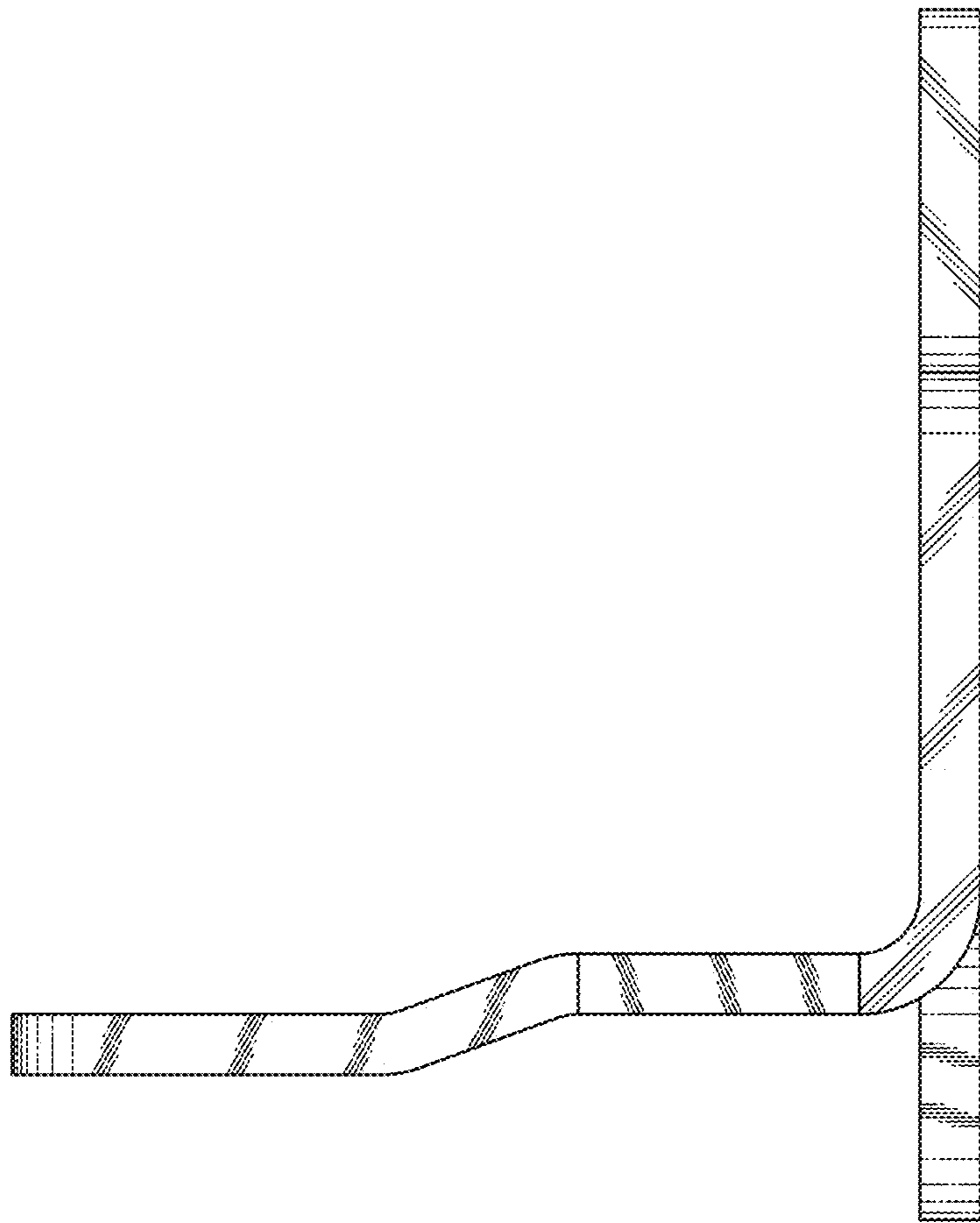


FIG. 8

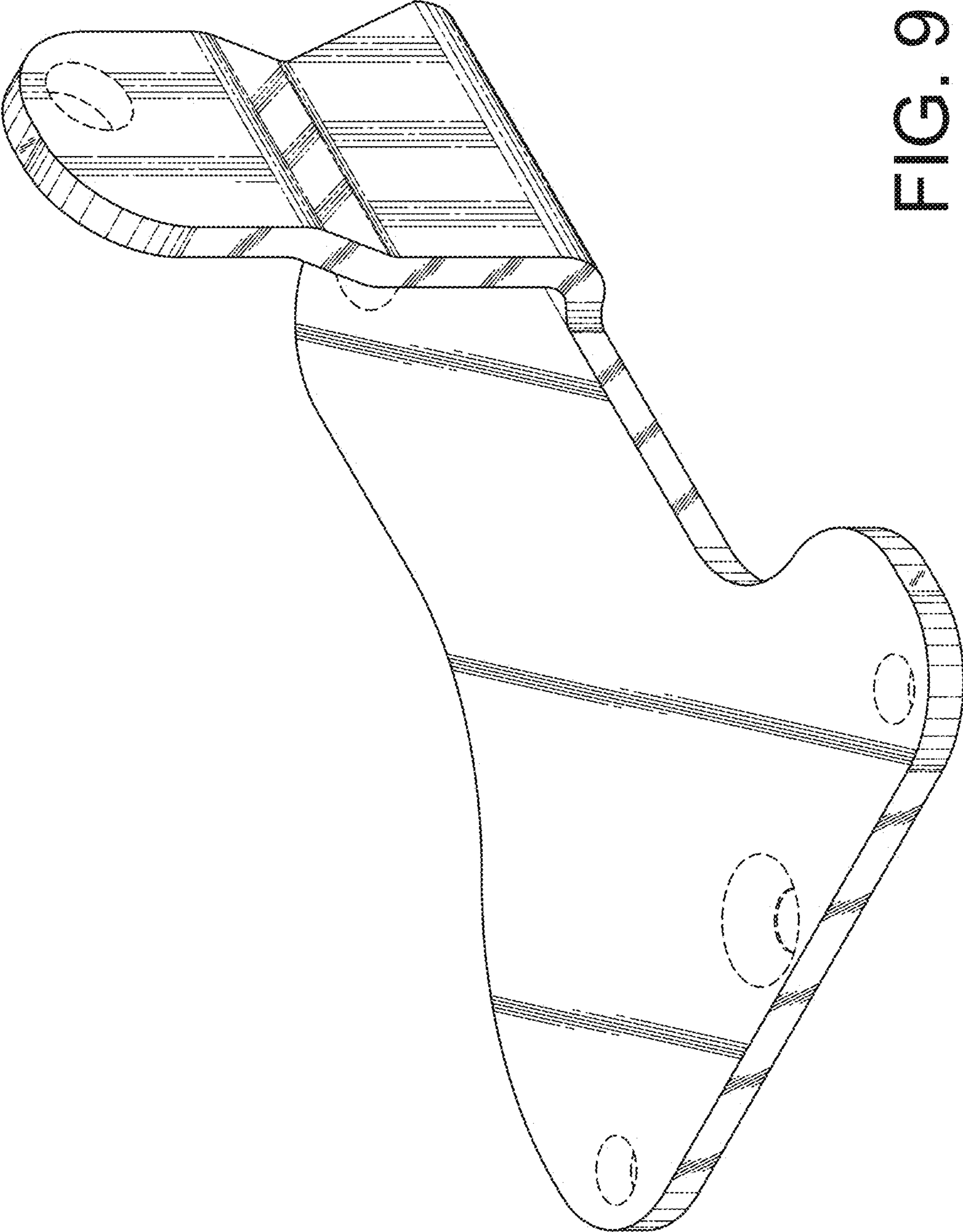


FIG. 9

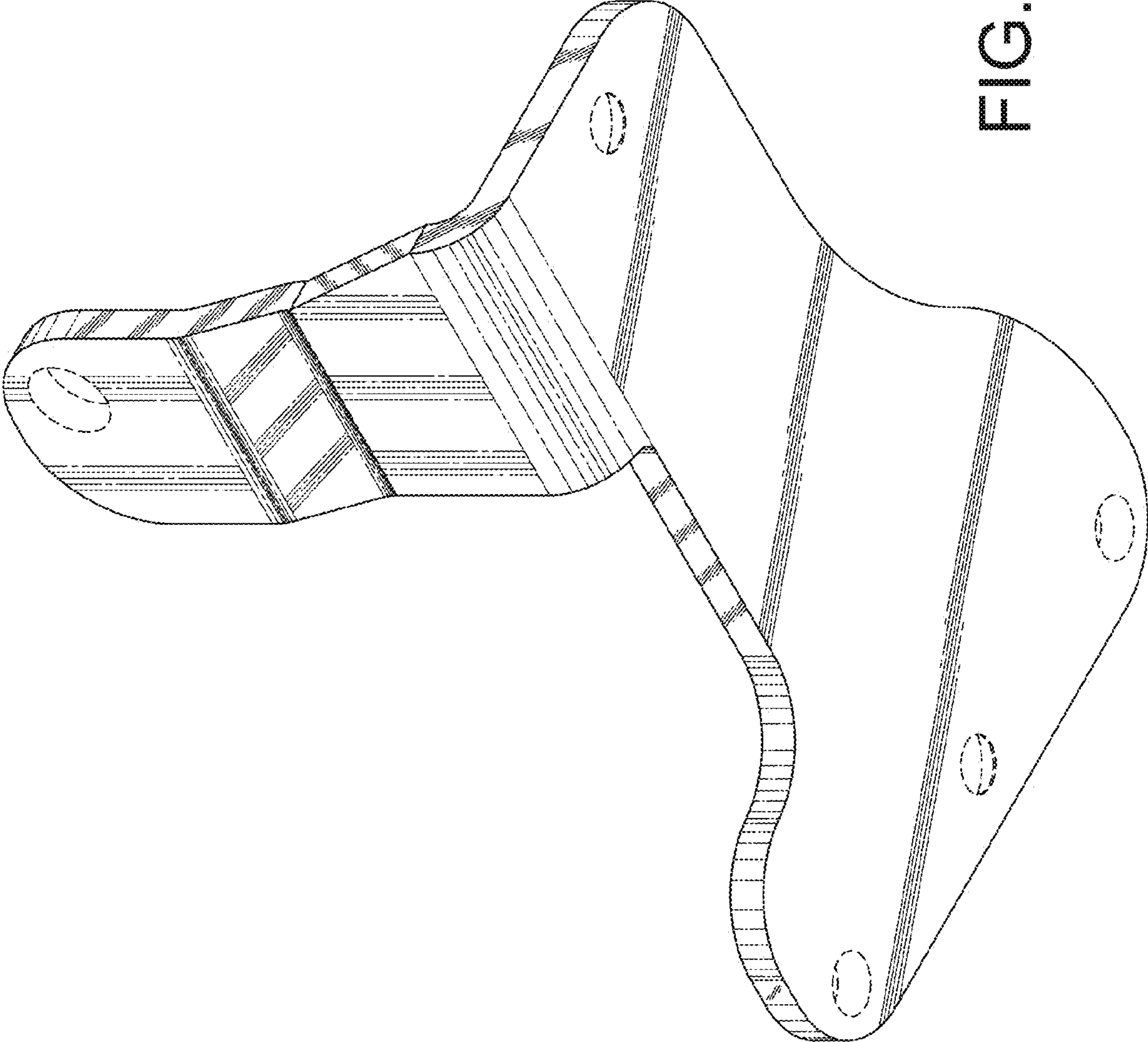


FIG. 10

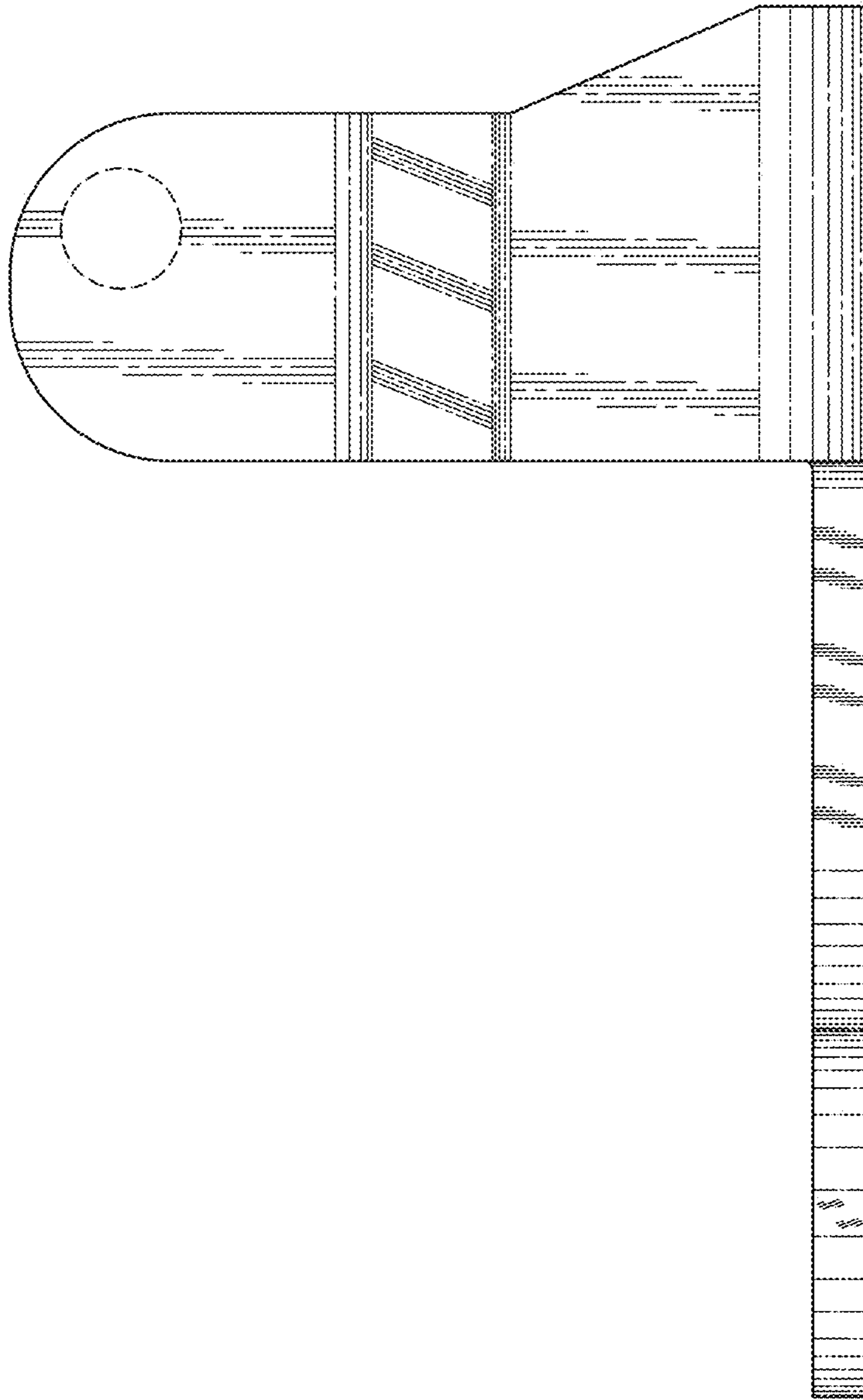


FIG. 11

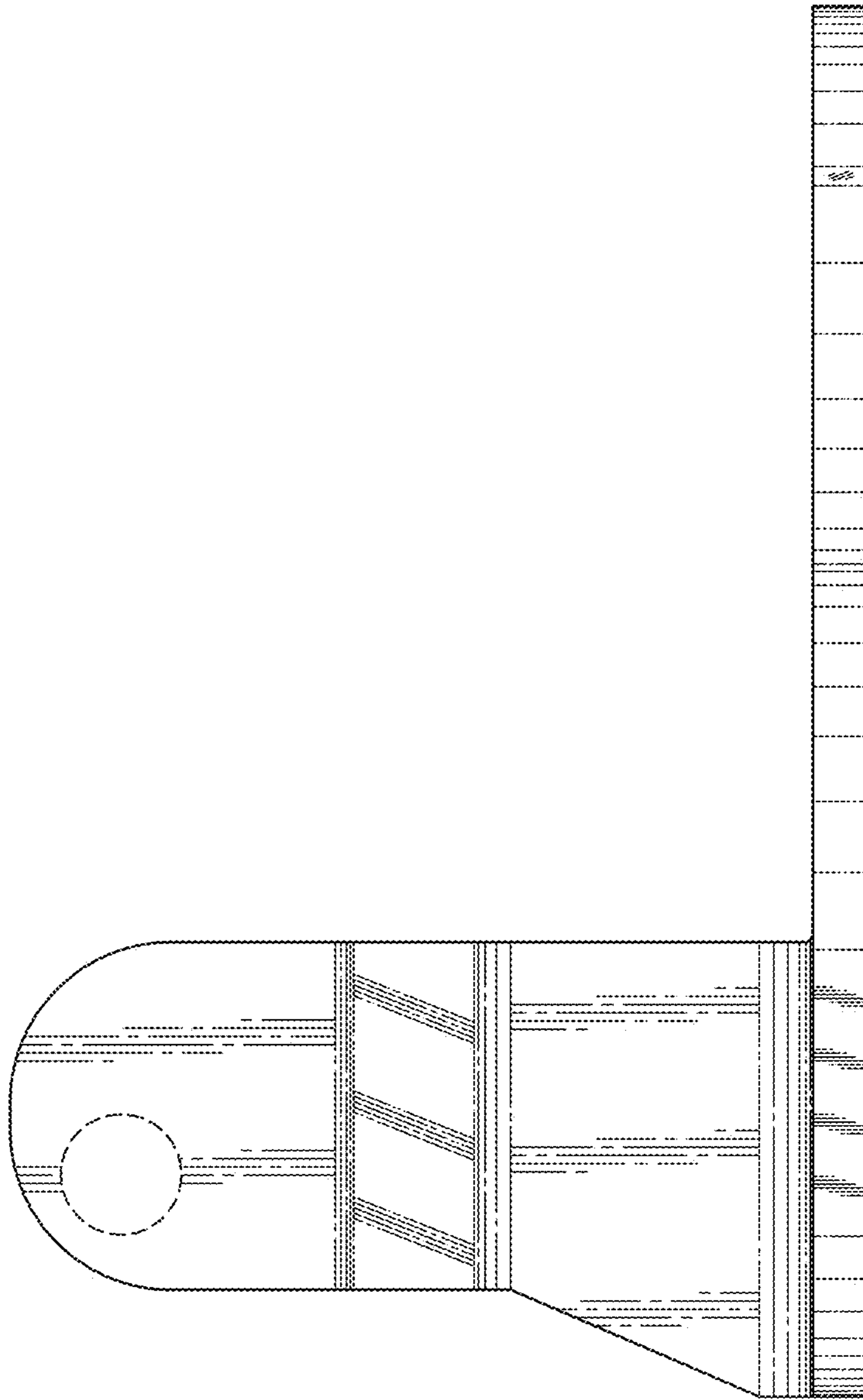


FIG. 12

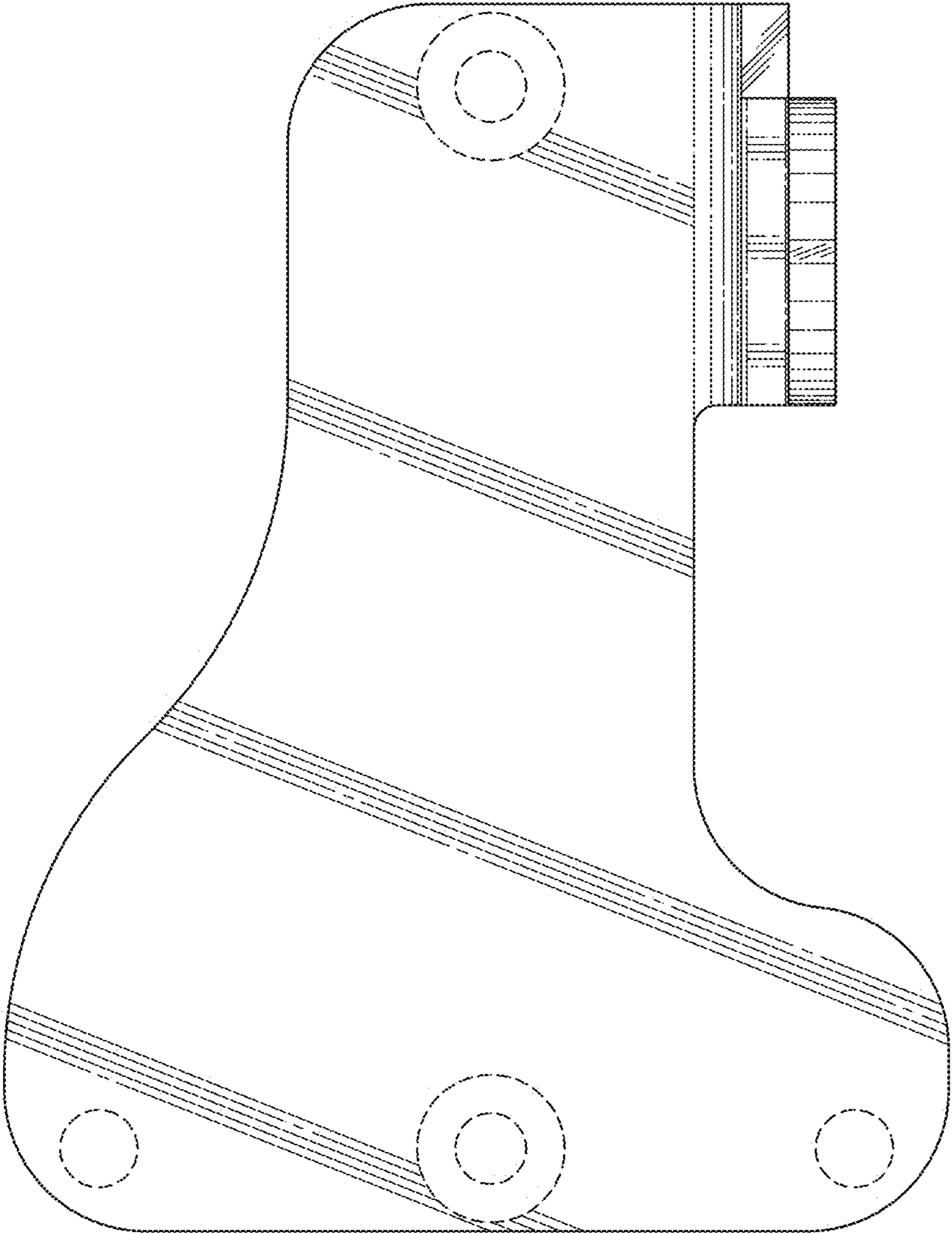


FIG. 13

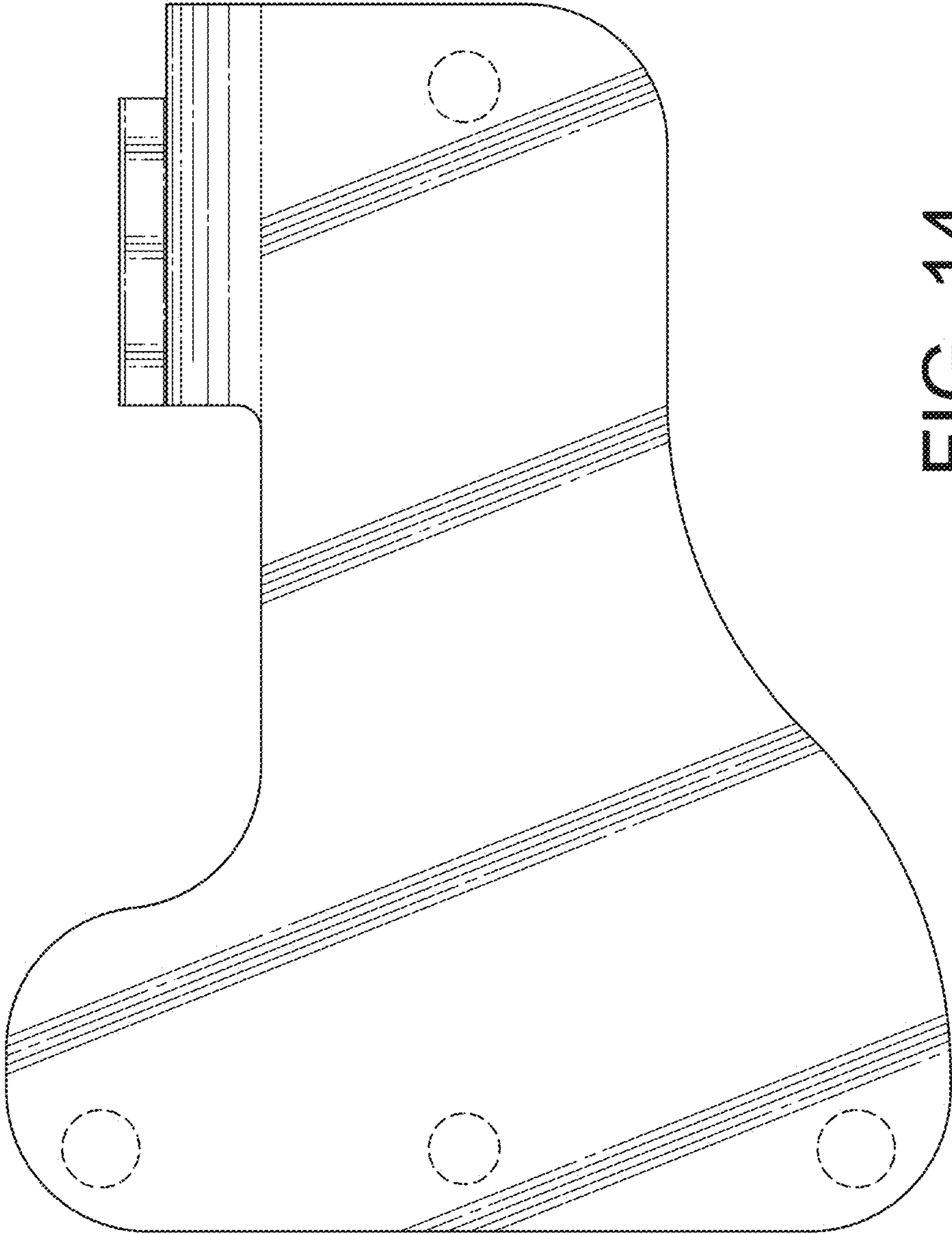


FIG. 14

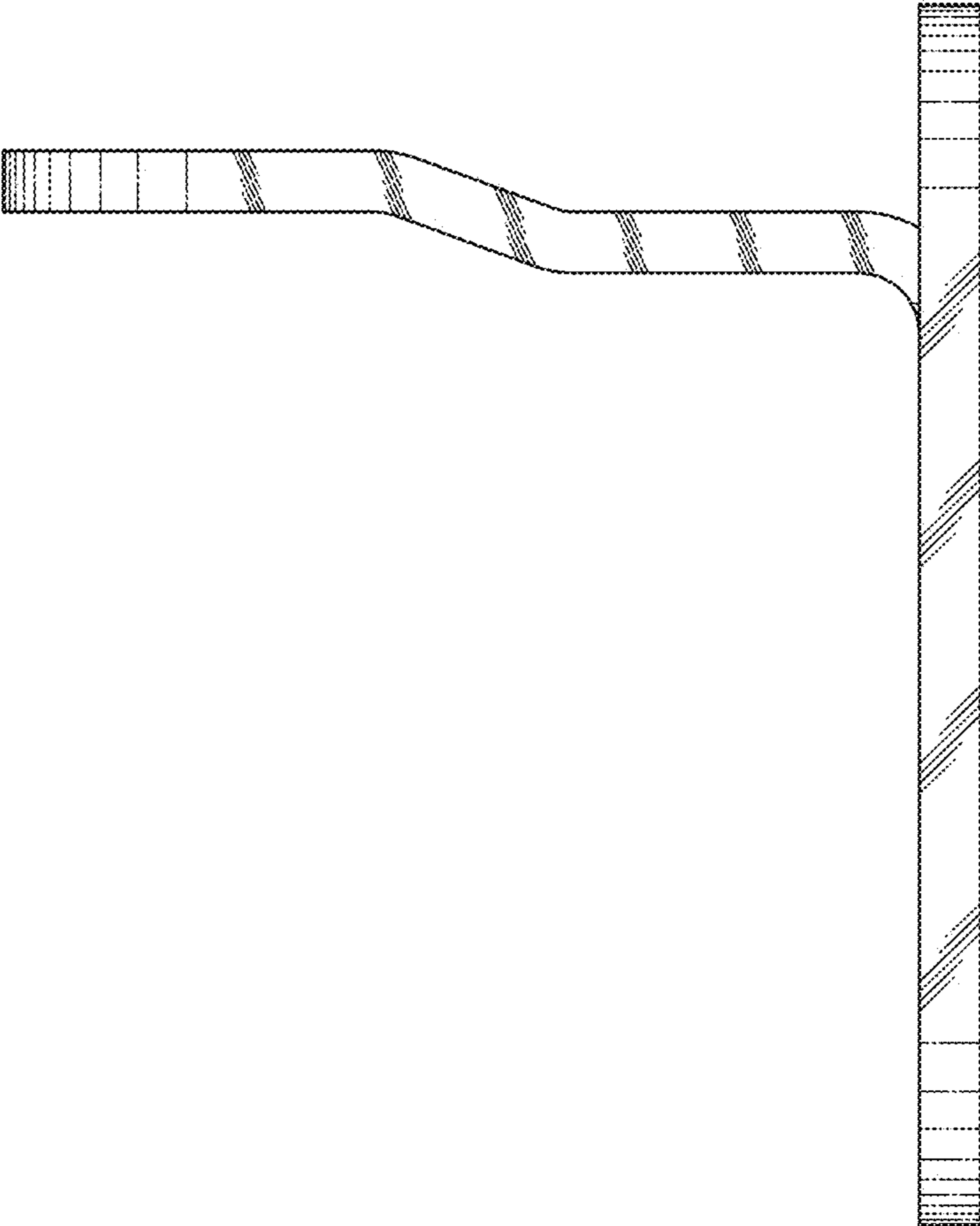


FIG. 15

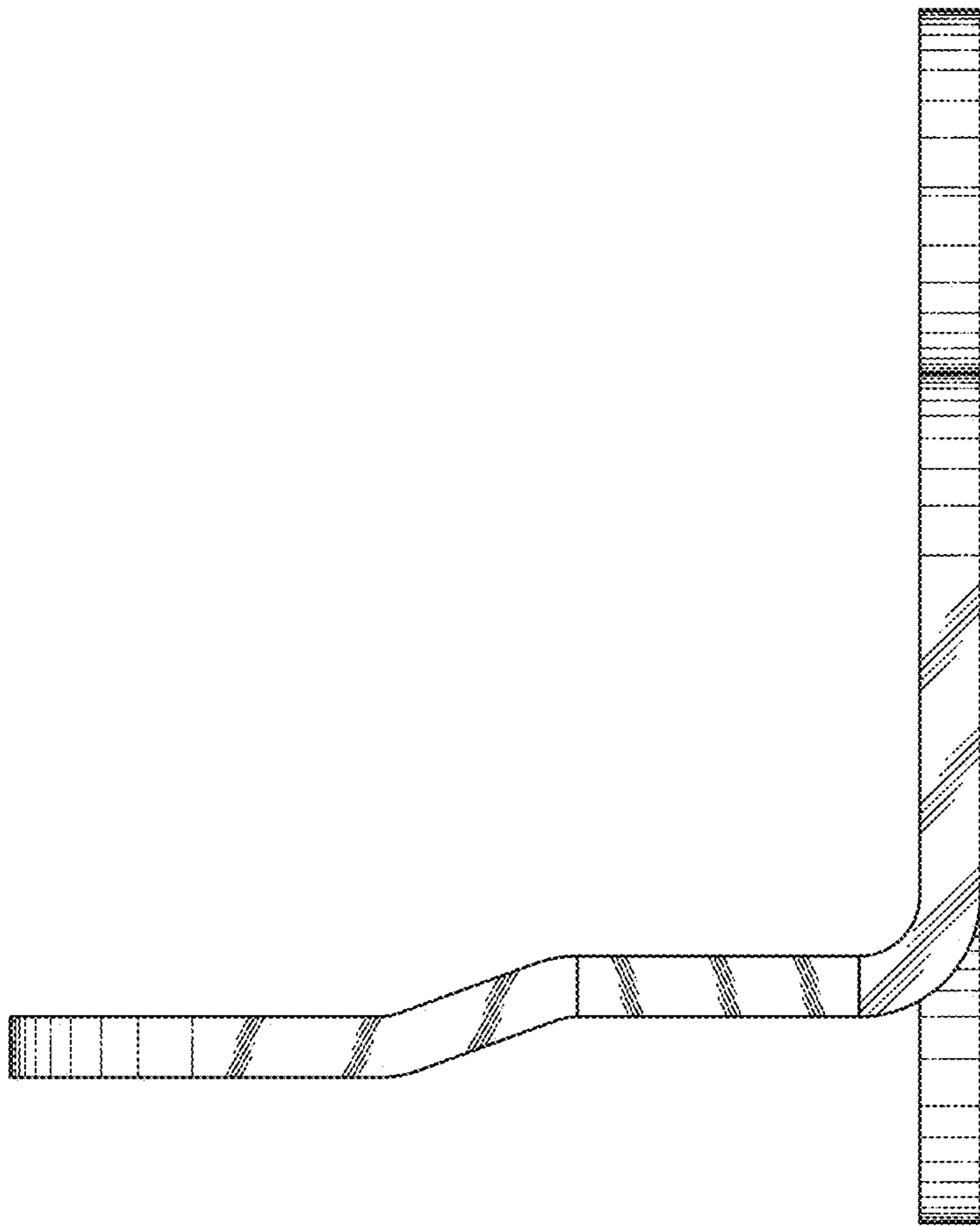


FIG. 16

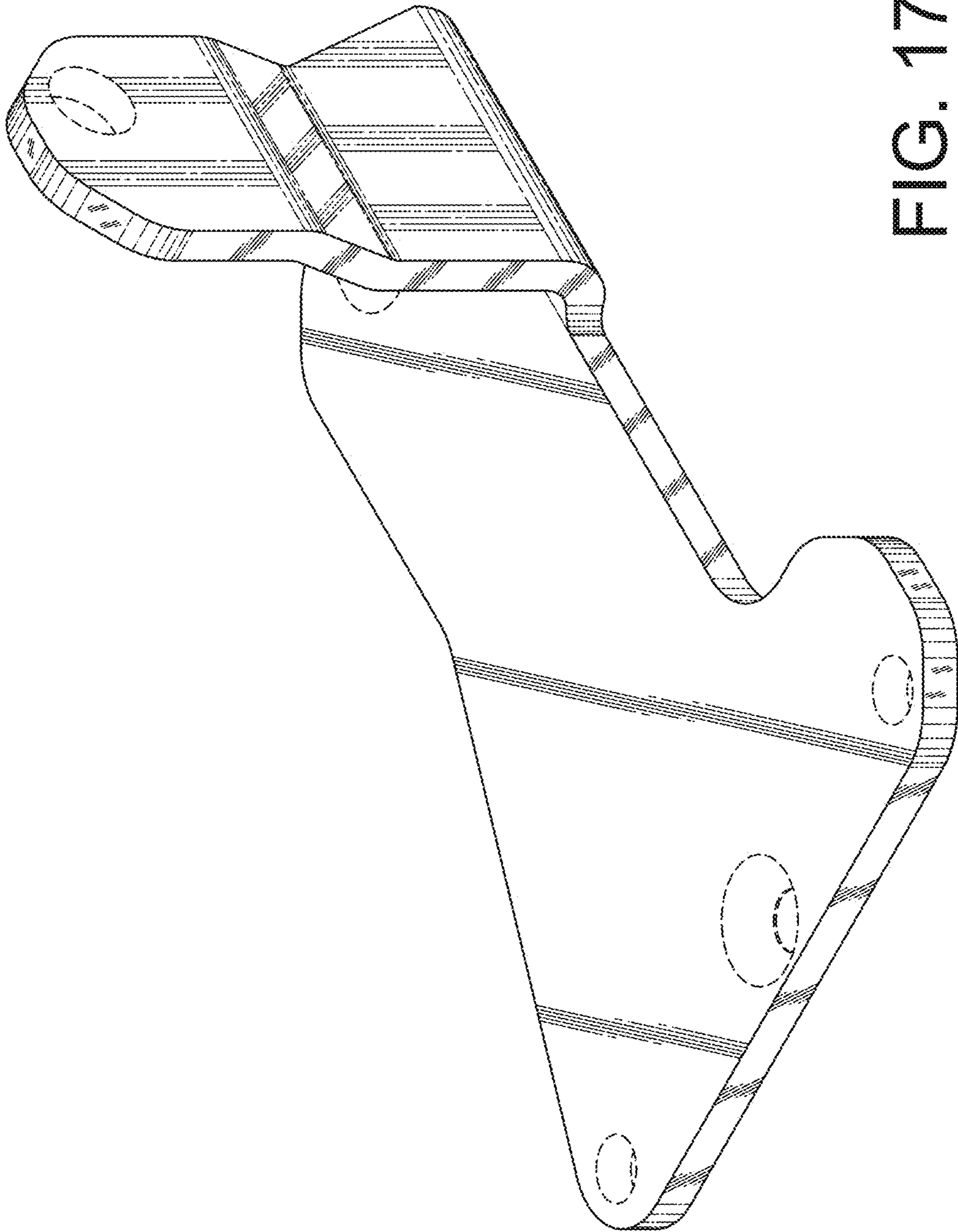


FIG. 17

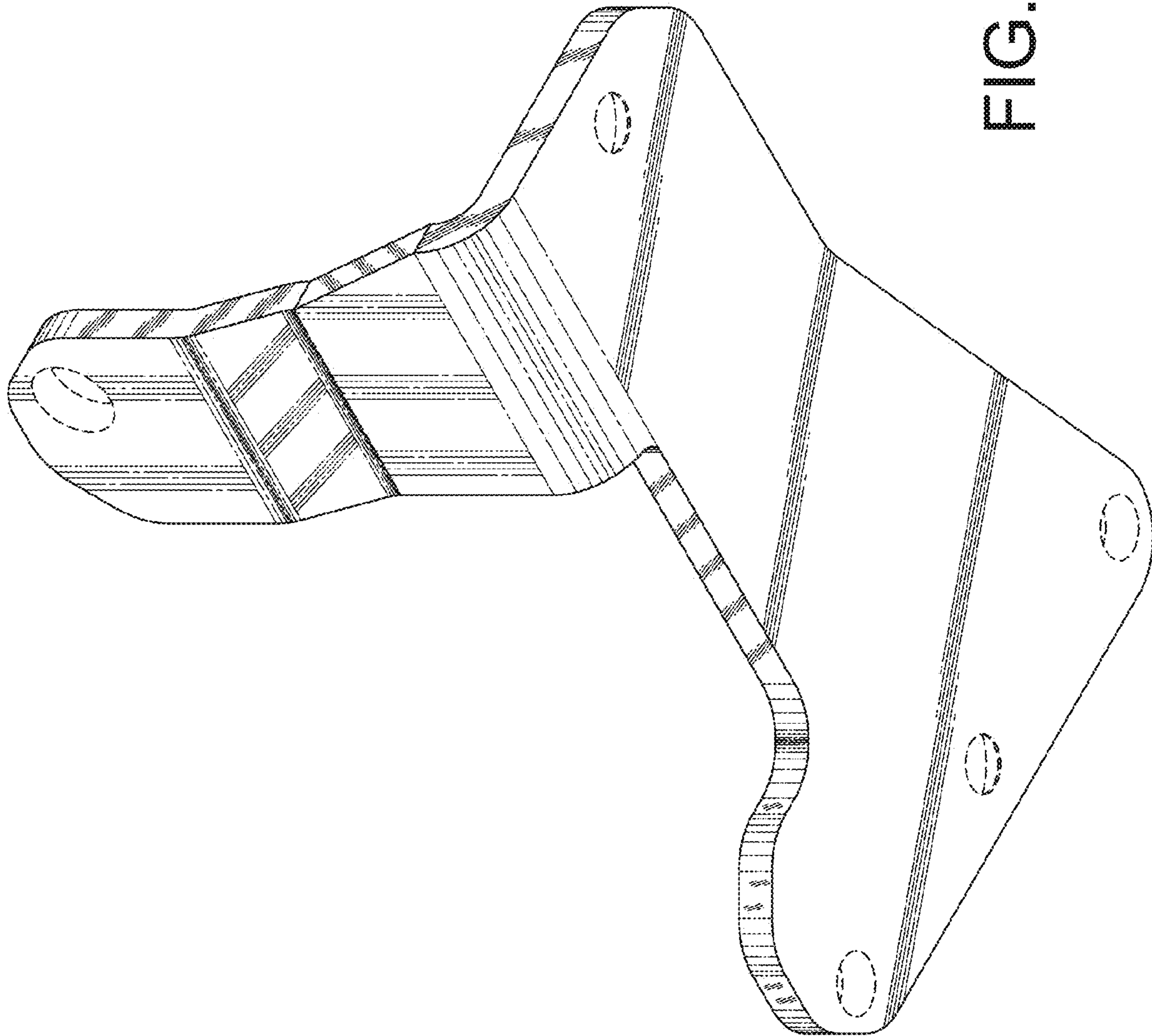


FIG. 18

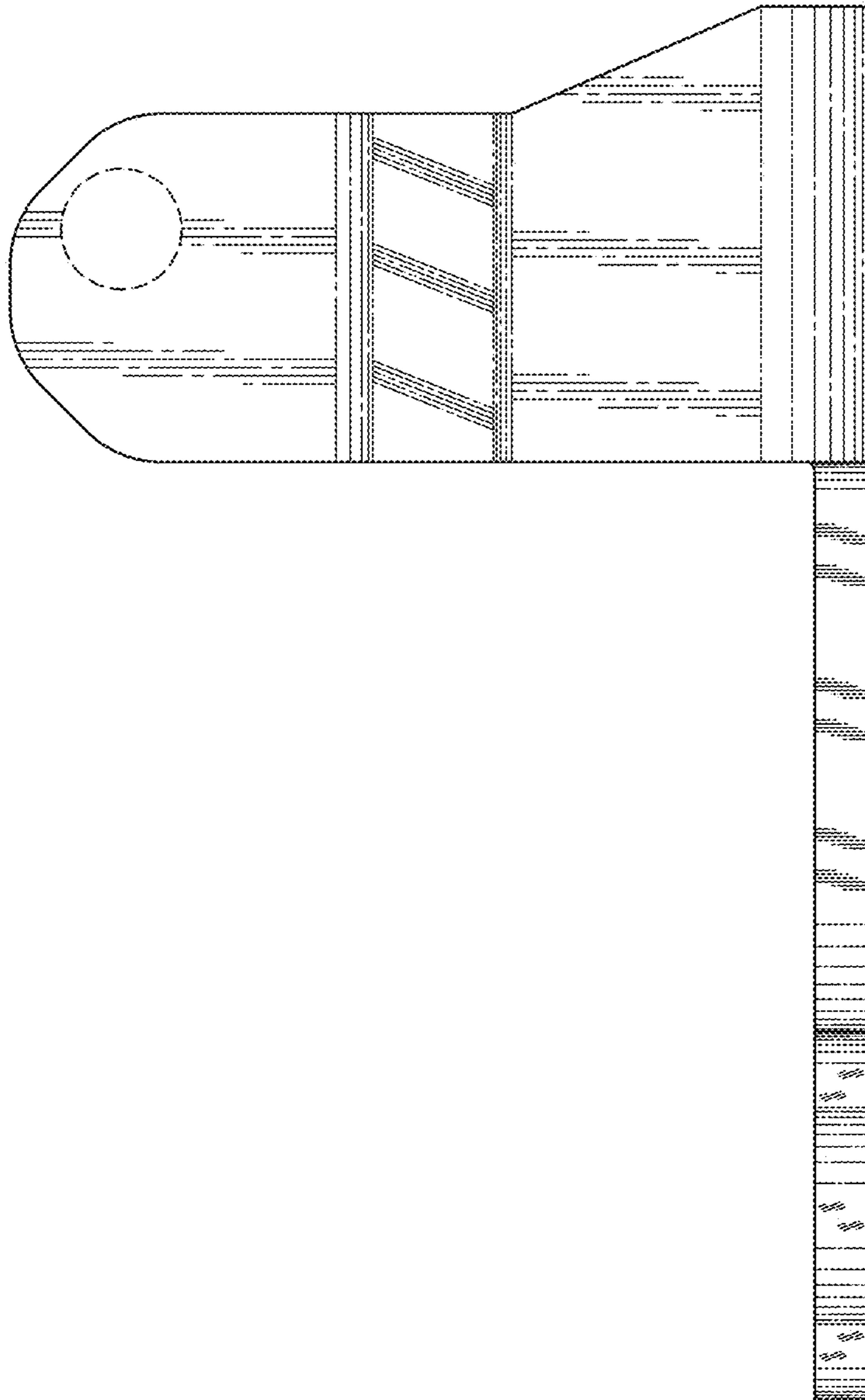


FIG. 19

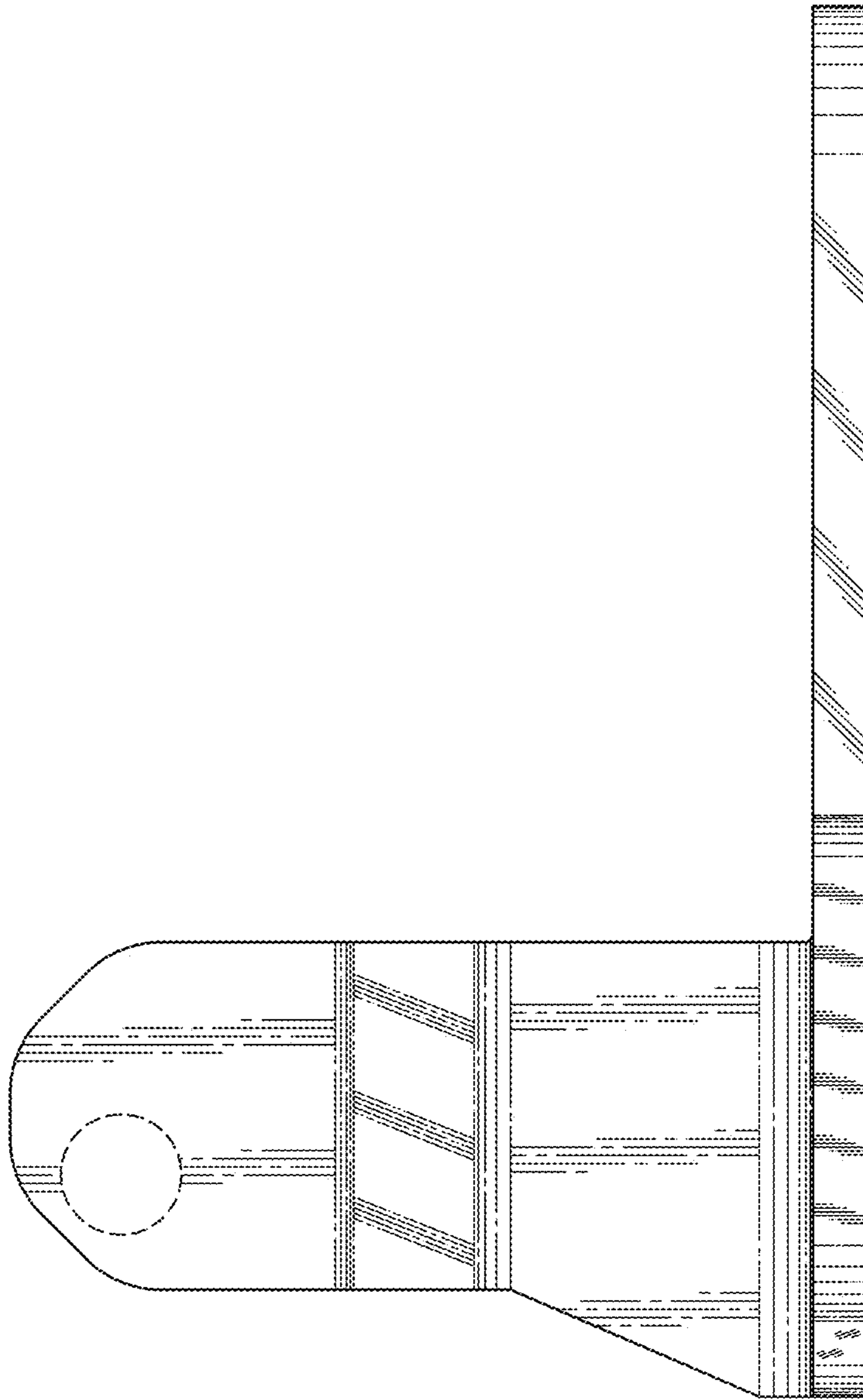


FIG. 20

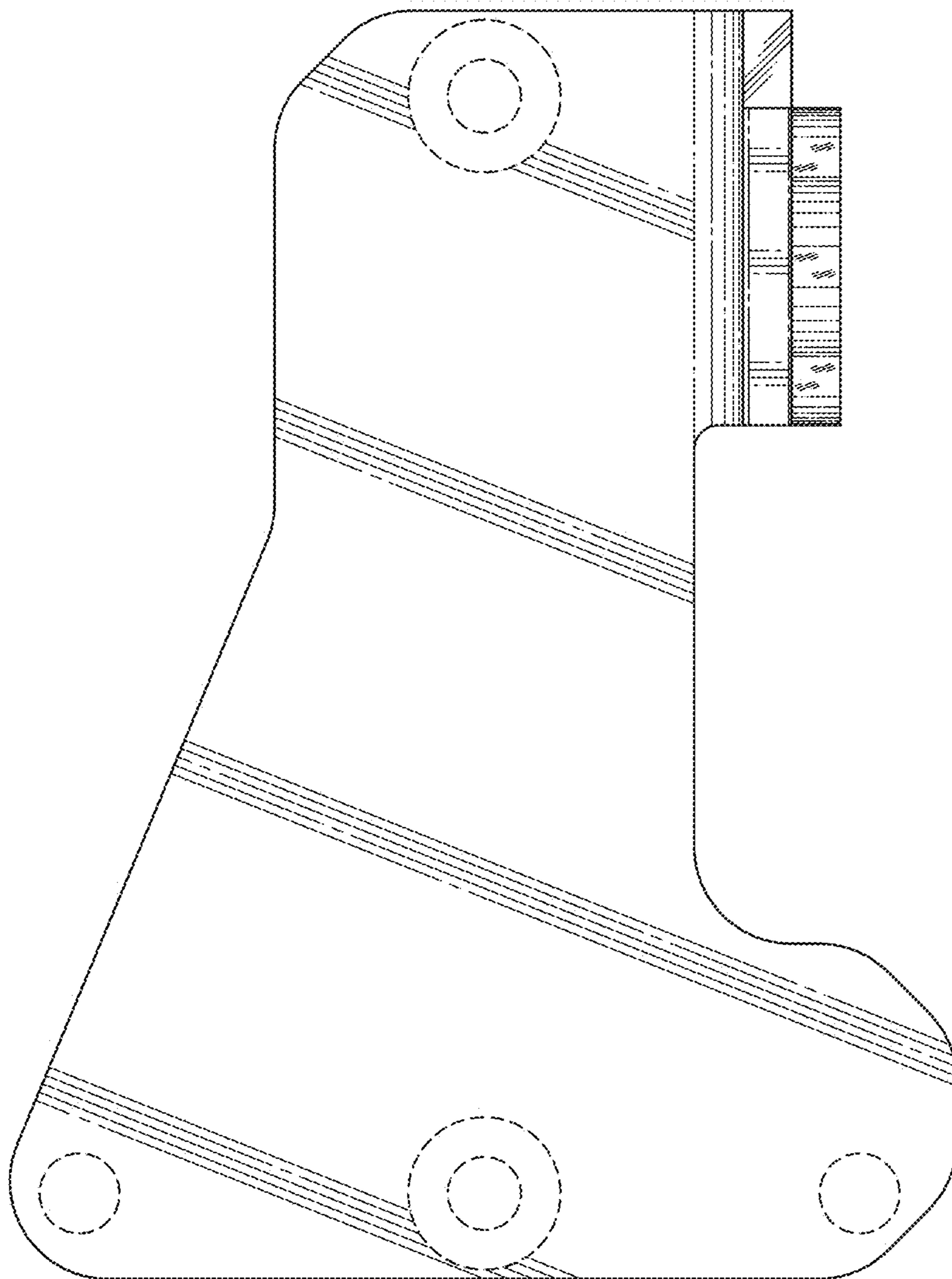


FIG. 21

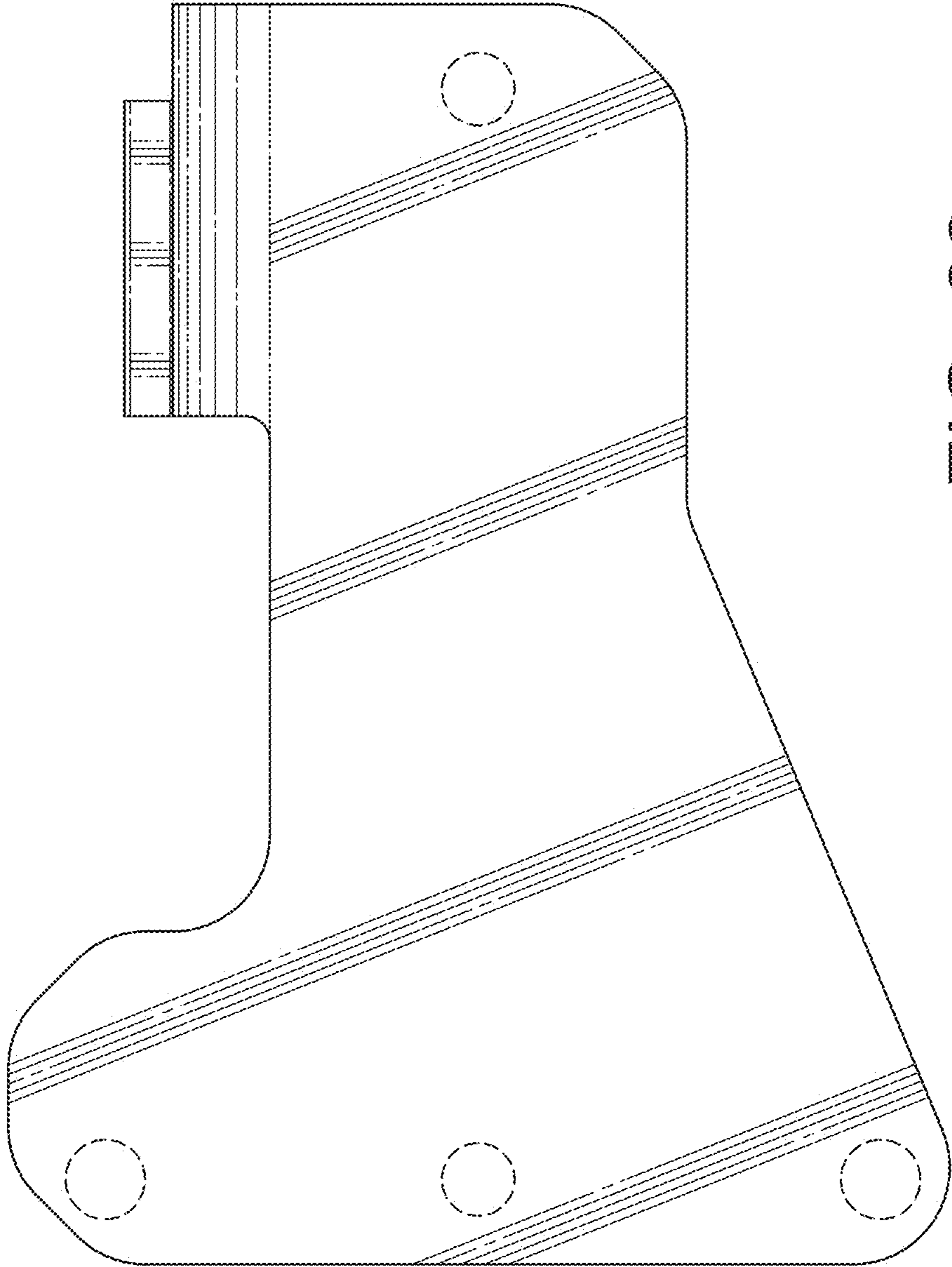


FIG. 22

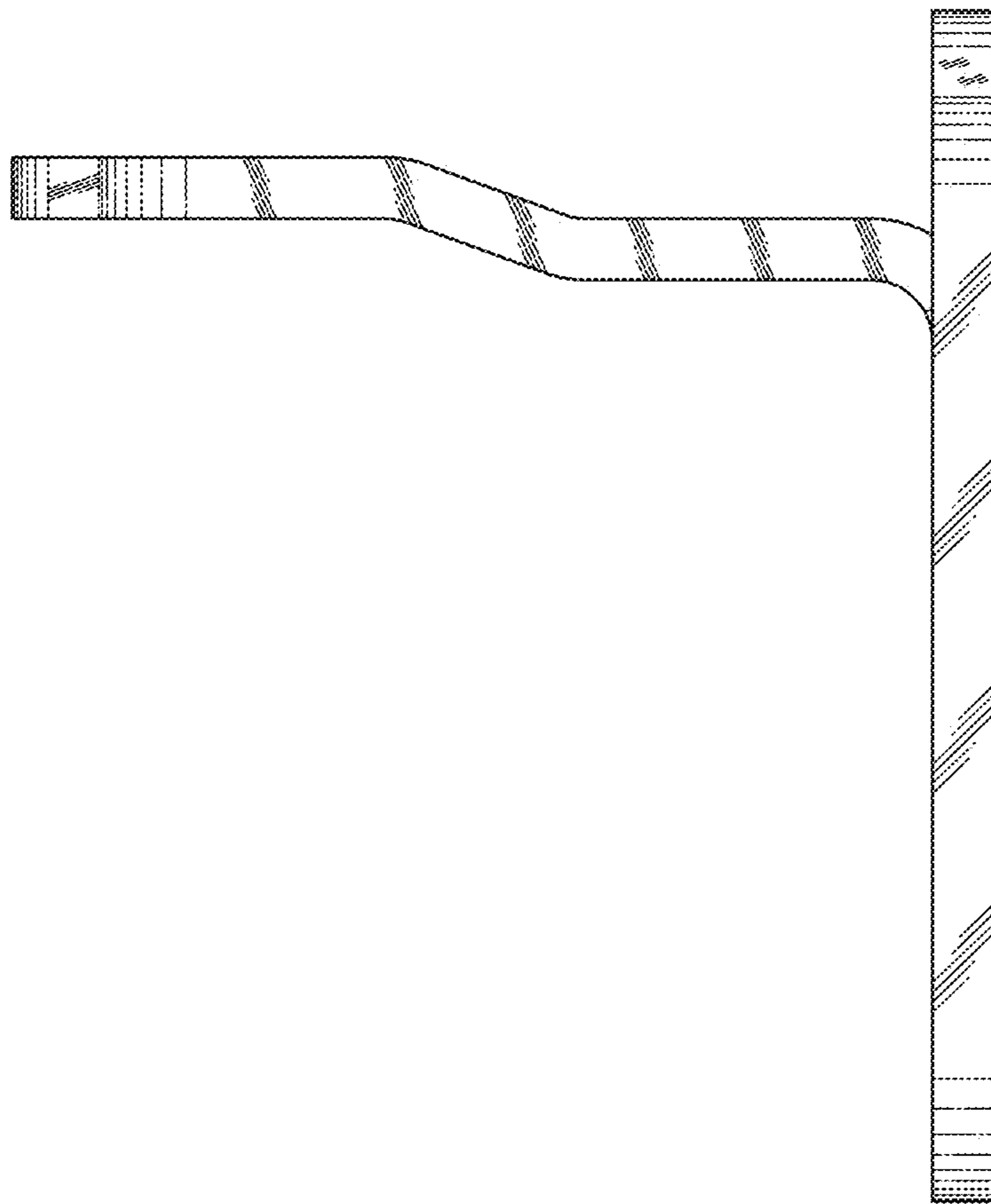


FIG. 23

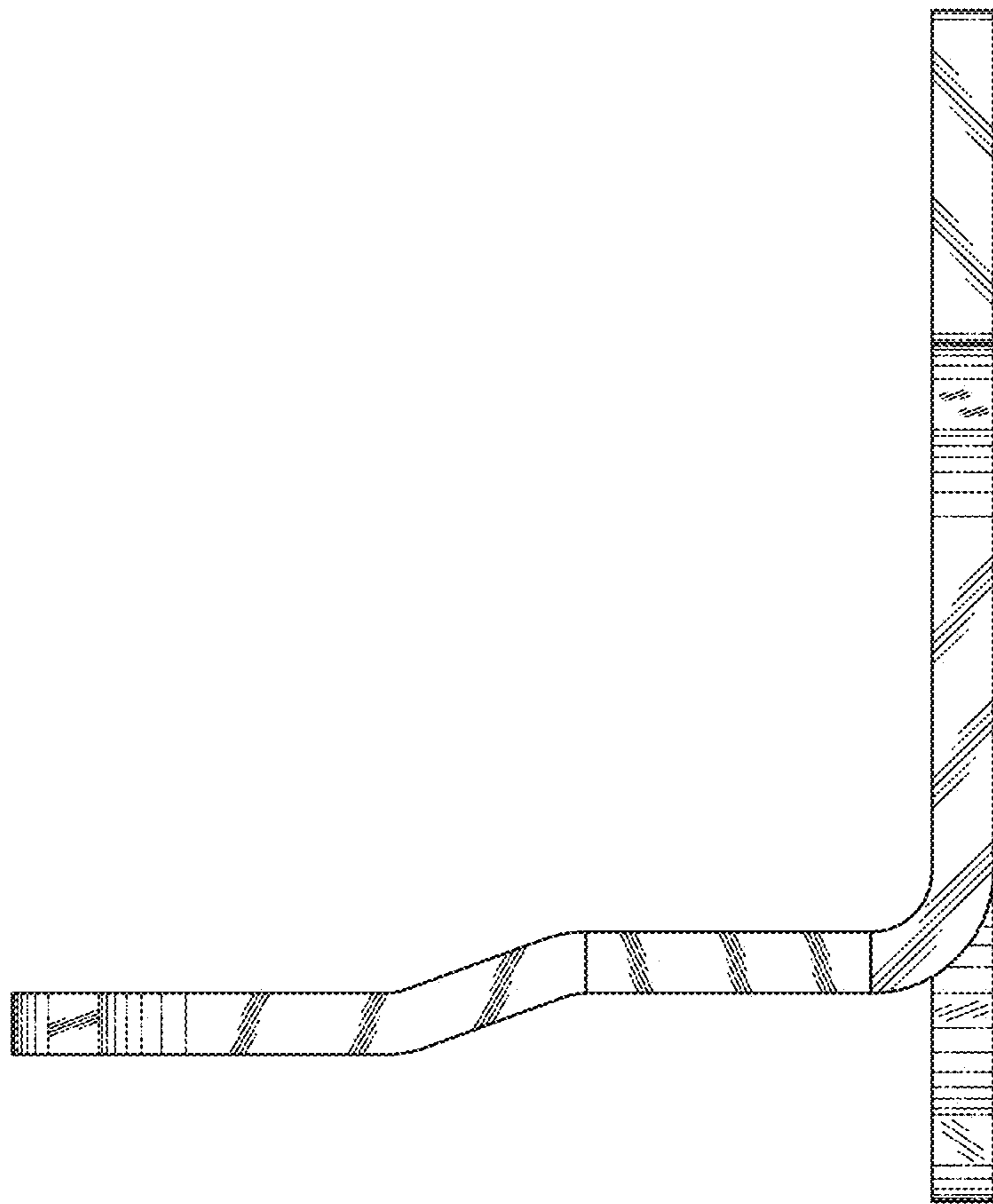


FIG. 24