



US00D951755S

(12) **United States Design Patent** (10) **Patent No.:** **US D951,755 S**
Liu (45) **Date of Patent:** **** May 17, 2022**

(54) **GARDEN HOSE HOLDER**

(71) Applicant: **Bin Liu, Yichang (CN)**

(72) Inventor: **Bin Liu, Yichang (CN)**

(**) Term: **15 Years**

(21) Appl. No.: **29/786,686**

(22) Filed: **Jun. 2, 2021**

(51) **LOC (13) Cl.** **09-06**

(52) **U.S. Cl.**
USPC **D8/356**

(58) **Field of Classification Search**
USPC D6/678.4; D8/356, 354, 349, 358, 373,
D8/379; 248/68.1, 89; 137/355.16;
242/400.1; 211/60.1
CPC B65G 7/12; A62C 33/04; B65H 75/366
See application file for complete search history.

(56) **References Cited**

U.S. PATENT DOCUMENTS

355,924	A *	1/1887	Pavel	B65H 75/366
					248/89
D76,027	S *	8/1928	Madvig	D8/379
D306,681	S *	3/1990	Toca, III	D8/1
D334,529	S *	4/1993	Guilbert	D6/678.4
D341,767	S *	11/1993	Brueske	D8/356
5,634,615	A *	6/1997	Shuen	B65H 75/366
					211/60.1
5,699,987	A *	12/1997	Romaneschi	A62C 33/04
					137/355.16
6,059,215	A *	5/2000	Finnis	B65H 75/366
					242/400.1
6,079,675	A *	6/2000	Hsu	248/68.1
D442,444	S *	5/2001	Bowling	D8/1
D554,979	S *	11/2007	Hsu	D8/356
7,455,258	B2 *	11/2008	Proebstle	B65H 75/06
					242/405.1
D607,308	S *	1/2010	Moon	D8/356

D631,997	S	2/2011	Yao	
D661,571	S *	6/2012	Vogler D8/358
D714,127	S *	9/2014	Zavala D8/356
D724,934	S *	3/2015	Lu D8/356
D736,547	S *	8/2015	Morales D6/678.4
D753,939	S *	4/2016	Tsai D6/678.4
D763,020	S *	8/2016	Tsai D6/678.4
D798,131	S *	9/2017	Agneessens D8/373
D886,486	S *	6/2020	Ripoll D6/403
D903,473	S	12/2020	Peng	
D903,474	S	12/2020	Peng	
11,199,279	B2 *	12/2021	Uffner F16L 3/23
D944,062	S *	2/2022	Puga D8/1
2021/0284482	A1 *	9/2021	Cockerell B65H 75/265

* cited by examiner

Primary Examiner — Cynthia R Underwood

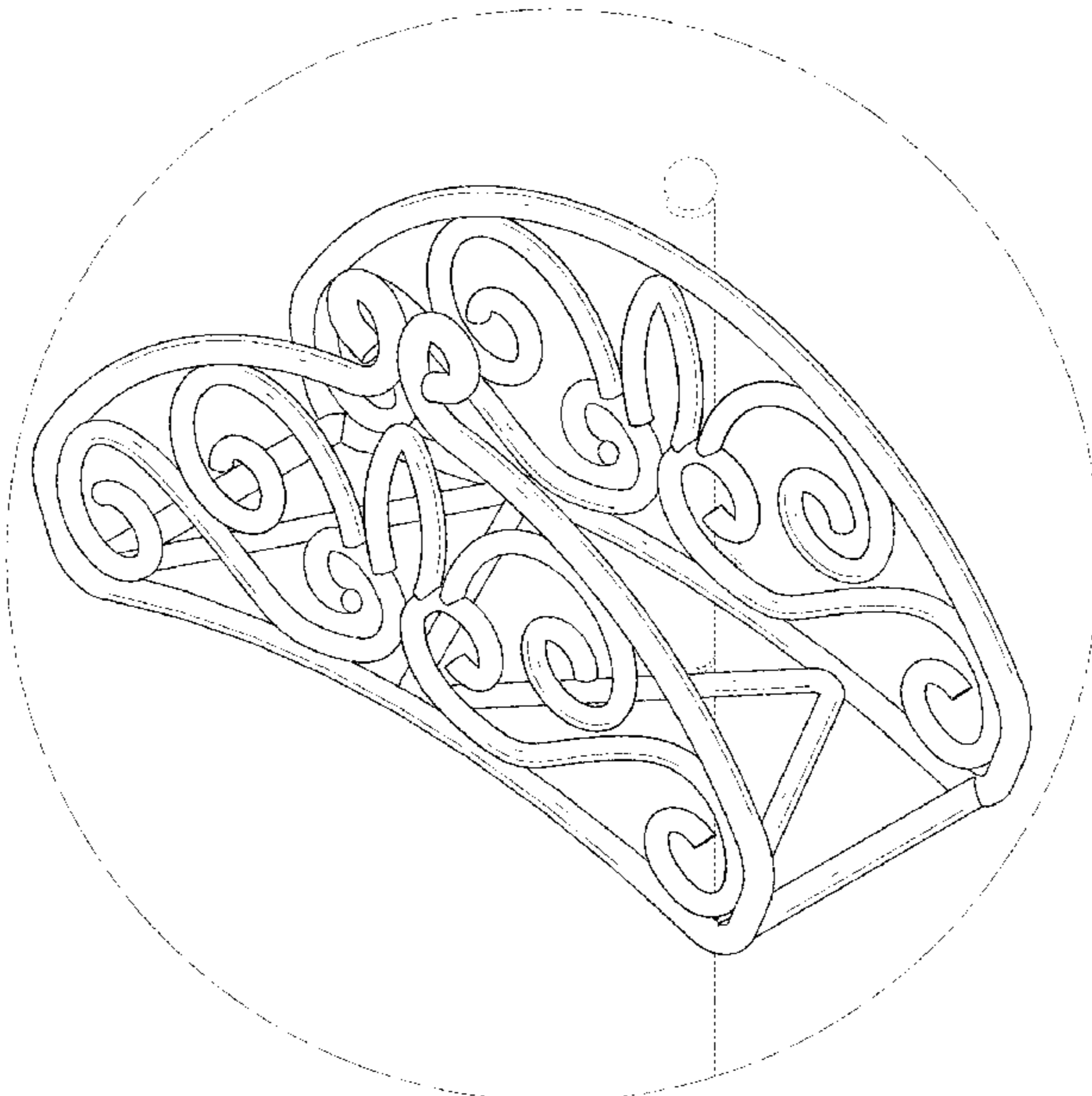
(57) **CLAIM**

The ornamental design for a garden hose holder, as shown and described.

DESCRIPTION

FIG. 1 is a first perspective view of a garden hose holder showing my new design;
 FIG. 2 is a second perspective view thereof;
 FIG. 3 is a front view thereof;
 FIG. 4 is a back view thereof;
 FIG. 5 is a left side view thereof;
 FIG. 6 is a right side view thereof;
 FIG. 7 is a top view thereof;
 FIG. 8 is a bottom view thereof; and,
 FIG. 9 is an enlarged view of the selected portion in FIG. 1. The broken lines shown in the drawings depict portions of the garden hose holder in which the design is embodied that form no part of the claimed design. The long dash-short dash-long dash markers in FIGS. 1 and 9 depict the area from where FIG. 9 was taken and also form no part of the claim.

1 Claim, 9 Drawing Sheets



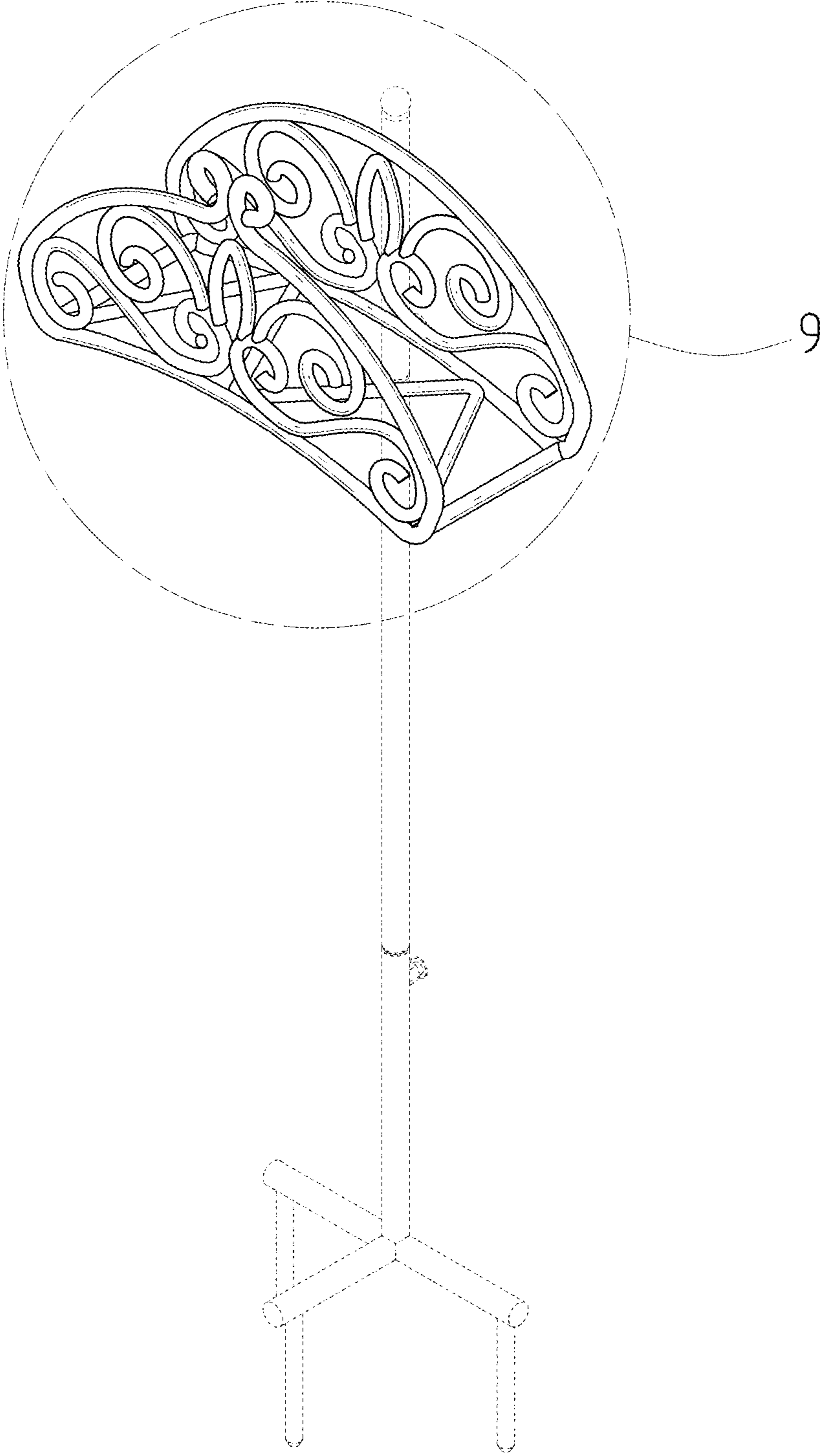


FIG. 1

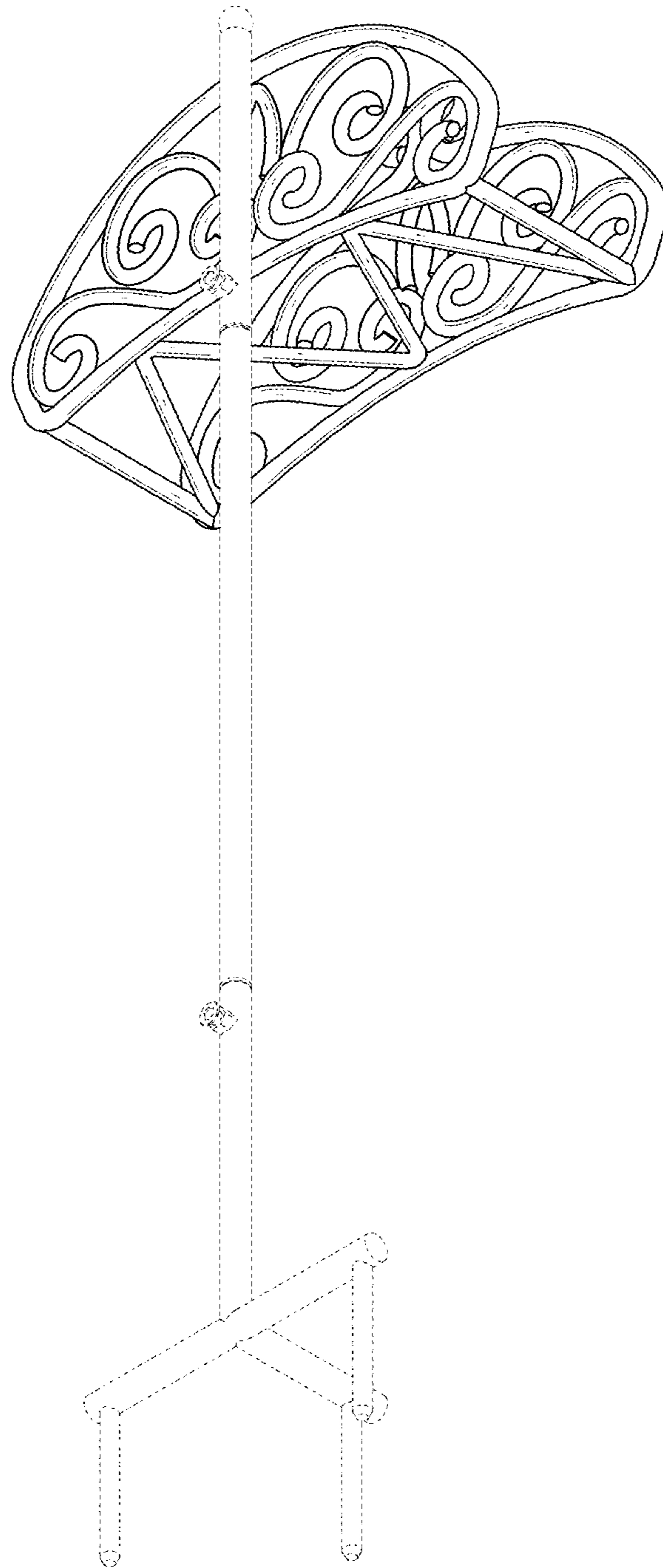


FIG. 2

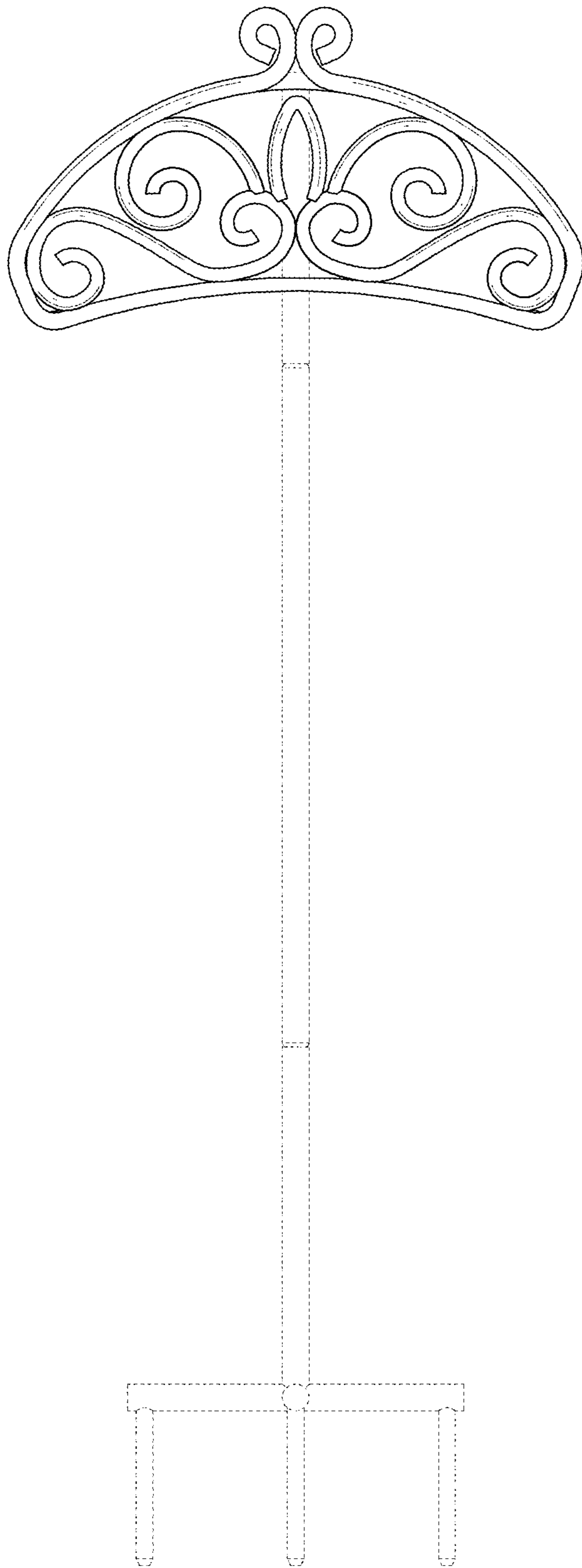


FIG. 3

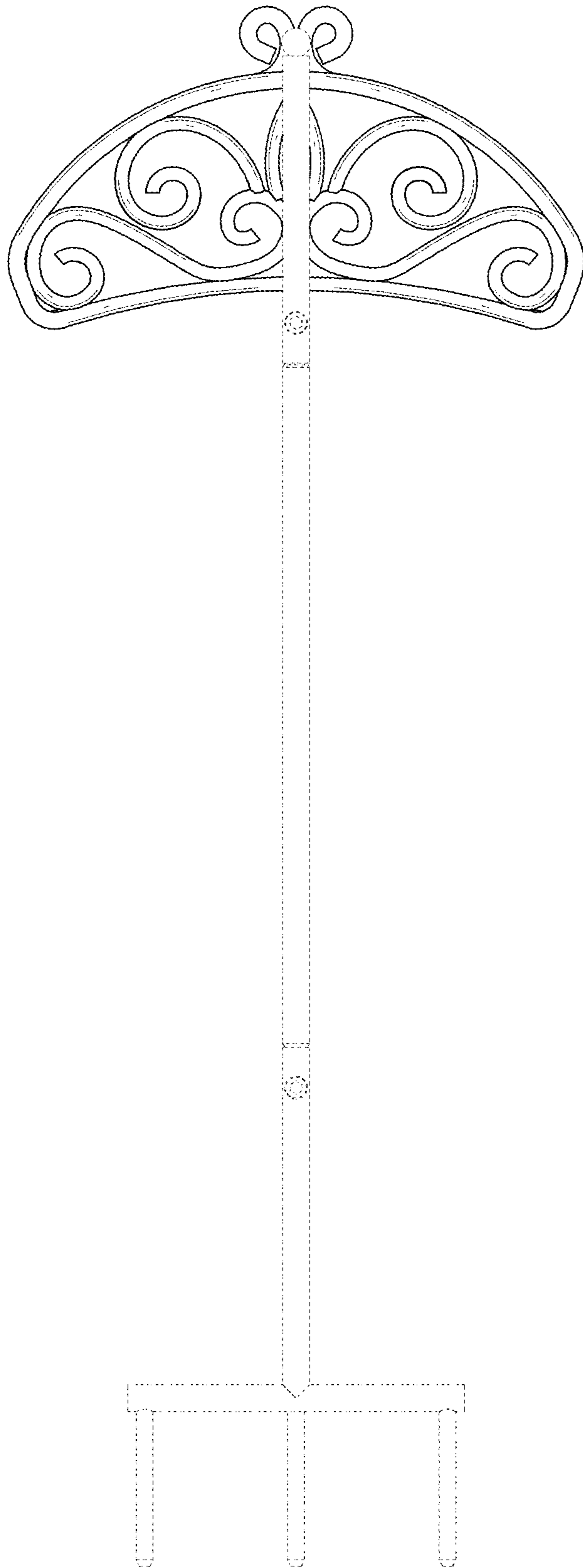


FIG. 4

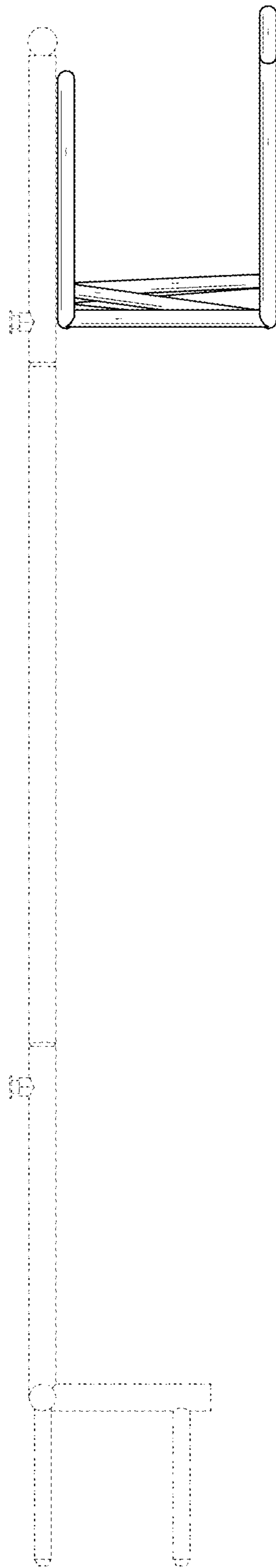


FIG. 5

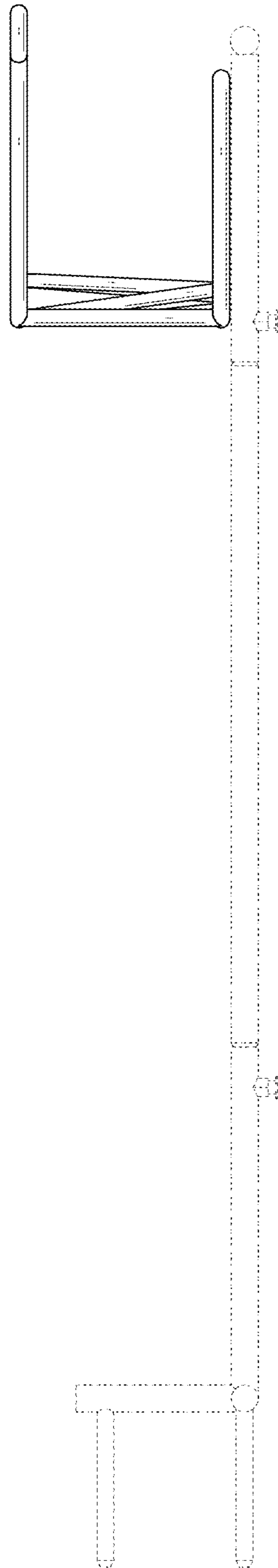


FIG. 6

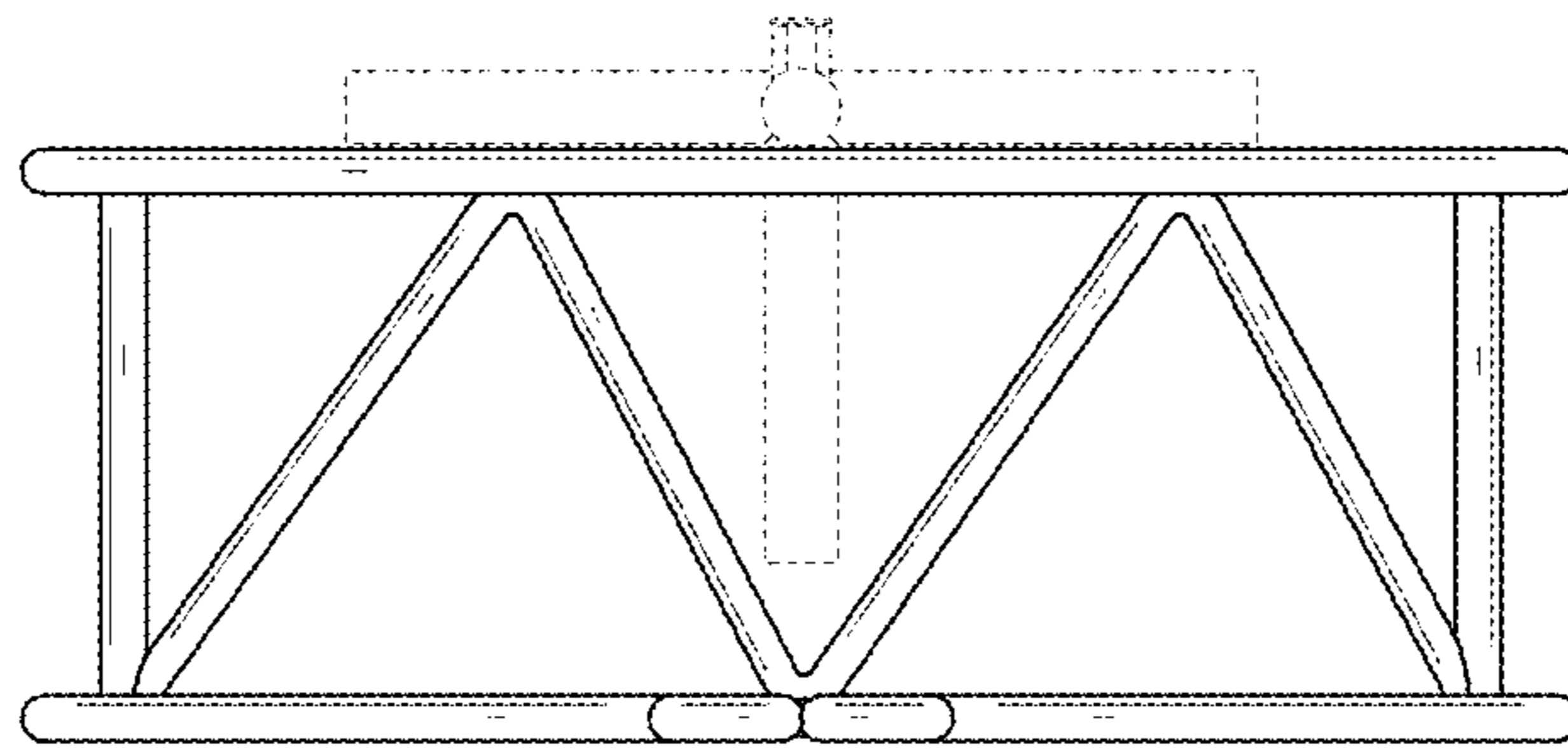


FIG. 7

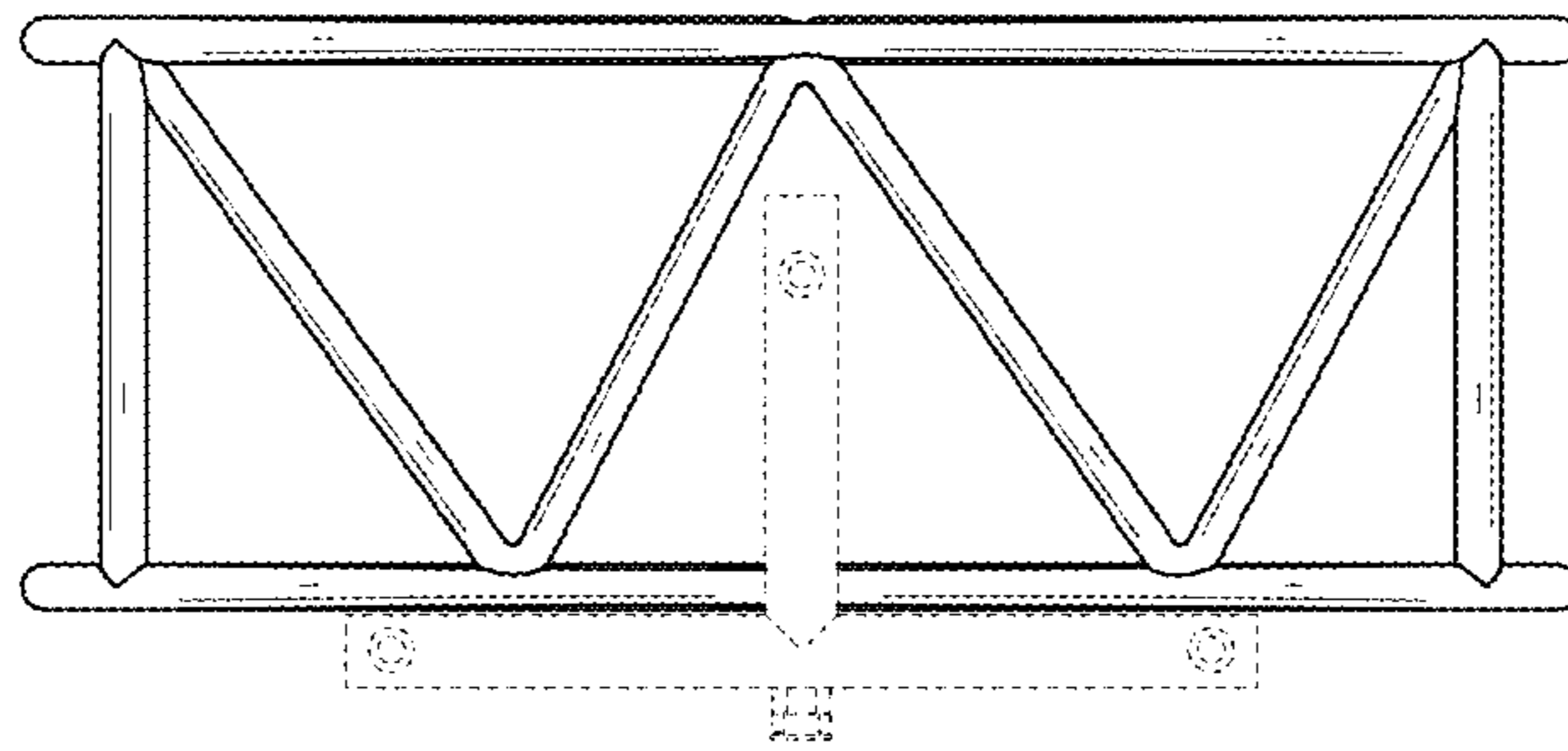


FIG. 8

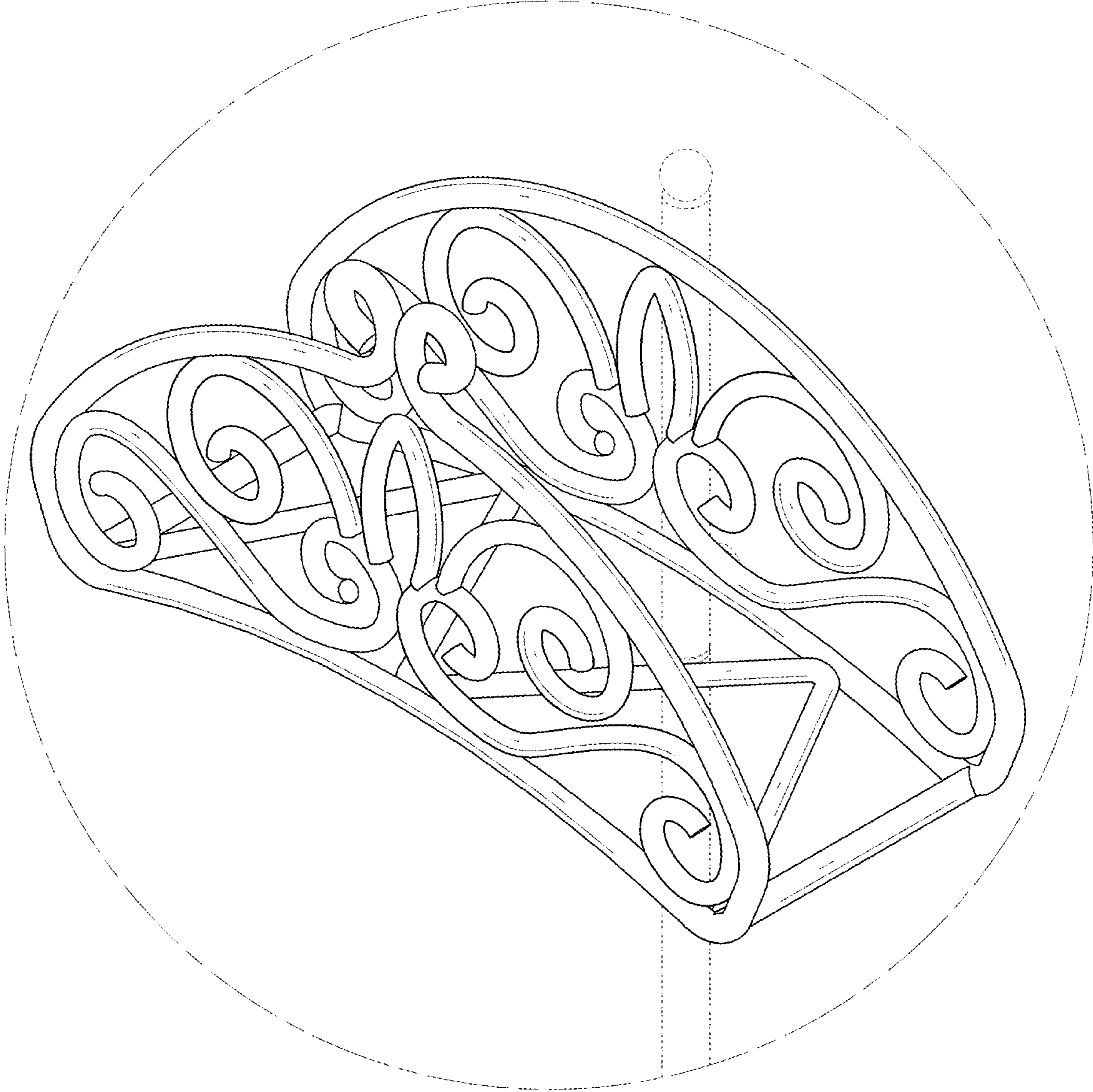


FIG. 9