



US00D951751S

(12) **United States Design Patent**
Li

(10) **Patent No.:** **US D951,751 S**

(45) **Date of Patent:** **** May 17, 2022**

(54) **PULL ROPE**

(71) Applicant: **Wei Li, Xinyu (CN)**

(72) Inventor: **Wei Li, Xinyu (CN)**

(**) Term: **15 Years**

(21) Appl. No.: **29/765,482**

(22) Filed: **Jan. 8, 2021**

(51) **LOC (13) Cl.** **08-06**

(52) **U.S. Cl.**
USPC **D8/301**

(58) **Field of Classification Search**
USPC D8/301-303, 307, 321
CPC . B25G 1/102; B25G 3/00; B25G 1/00; B25G
1/10; Y10T 16/469; Y10T 16/4713
See application file for complete search history.

(56) **References Cited**

U.S. PATENT DOCUMENTS

- 3,346,157 A * 10/1967 Haney B65G 7/12
294/142
- 3,613,552 A * 10/1971 Kean A47J 43/18
294/169
- D328,849 S * 8/1992 Cornick D6/306
- 5,524,950 A * 6/1996 Erickson F24B 15/00
294/169
- D424,403 S * 5/2000 Workman D8/320

- 7,547,024 B1 * 6/2009 Dell B62B 15/00
119/725
- D682,654 S * 5/2013 Clarke D8/300
- D853,820 S * 7/2019 Garrido D8/301
- D893,640 S * 8/2020 Jelen D21/679
- D934,650 S * 11/2021 King D8/301
- 2013/0009414 A1 * 1/2013 LeClaire E06C 7/00
294/151
- 2019/0136550 A1 * 5/2019 Fisher E04F 21/04

* cited by examiner

Primary Examiner — Lauren R Calve

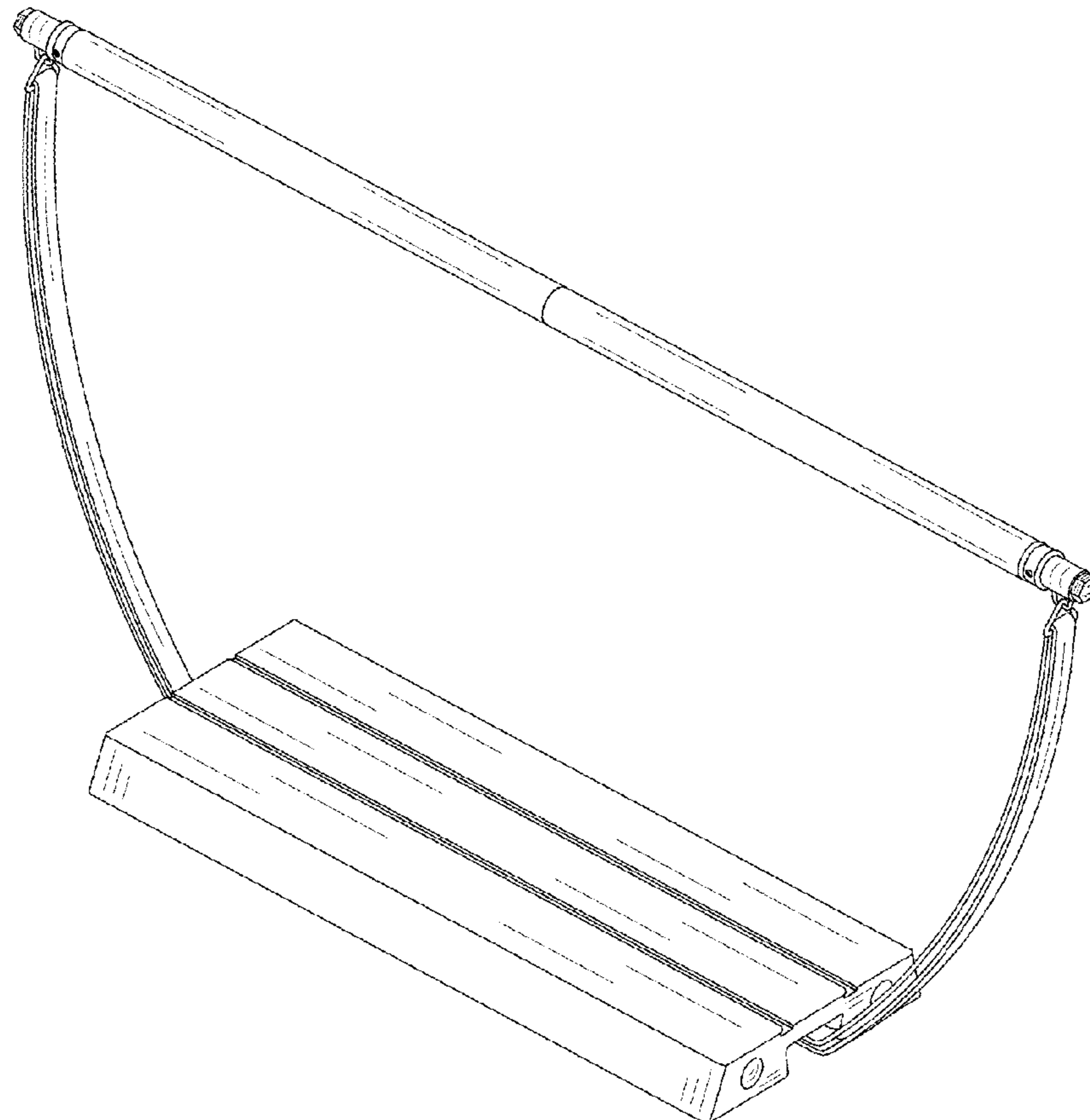
(57) **CLAIM**

The ornamental design for a pull rope, as shown and described.

DESCRIPTION

FIG. 1 is a front view of the pull rope showing my new design;
 FIG. 2 is a back view thereof;
 FIG. 3 is a left side view thereof;
 FIG. 4 is a right side view thereof;
 FIG. 5 is a top view thereof;
 FIG. 6 is a bottom view thereof;
 FIG. 7 is a perspective view thereof; and,
 FIG. 8 is another perspective view thereof.

1 Claim, 8 Drawing Sheets



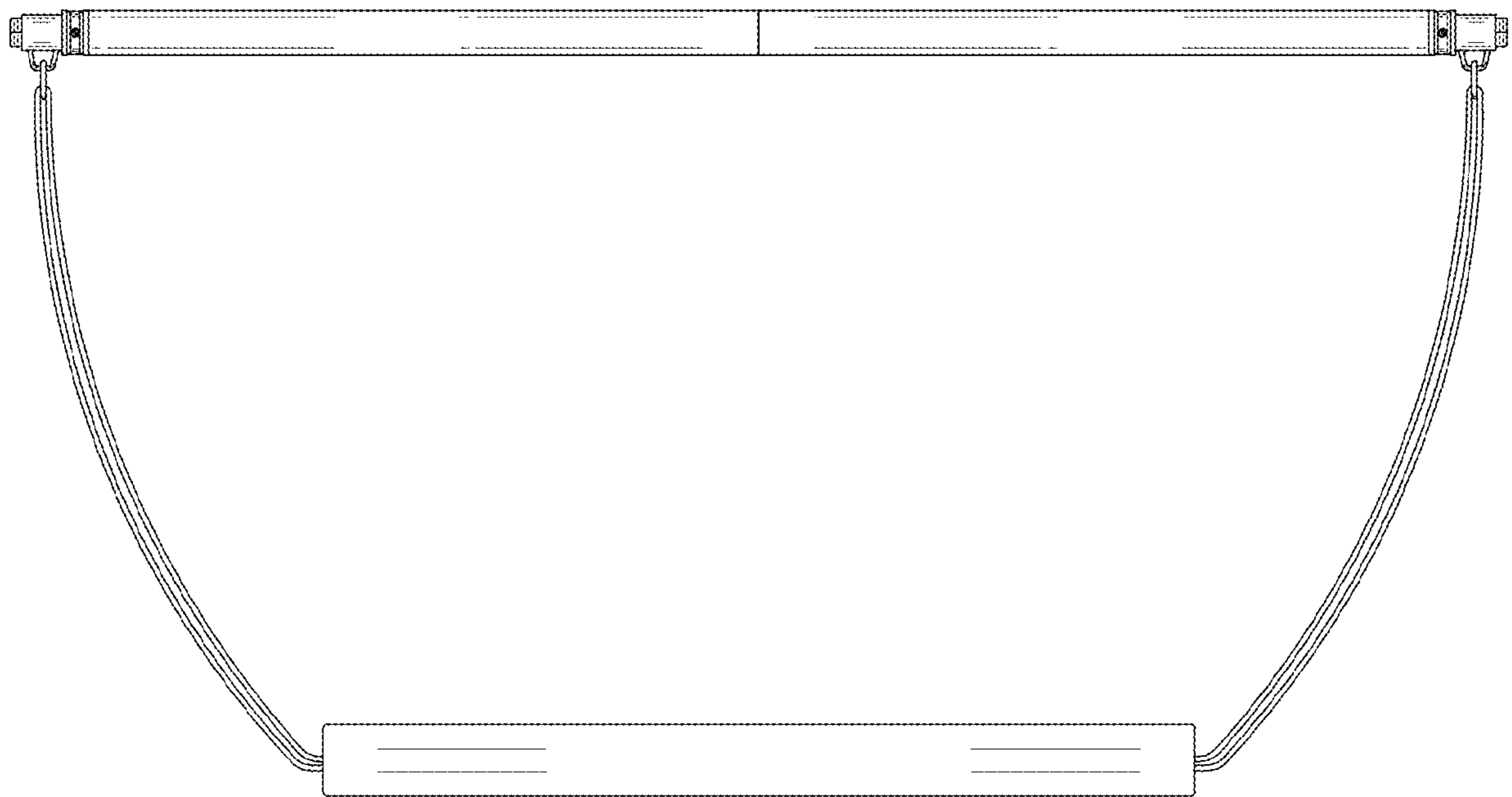


FIG. 1

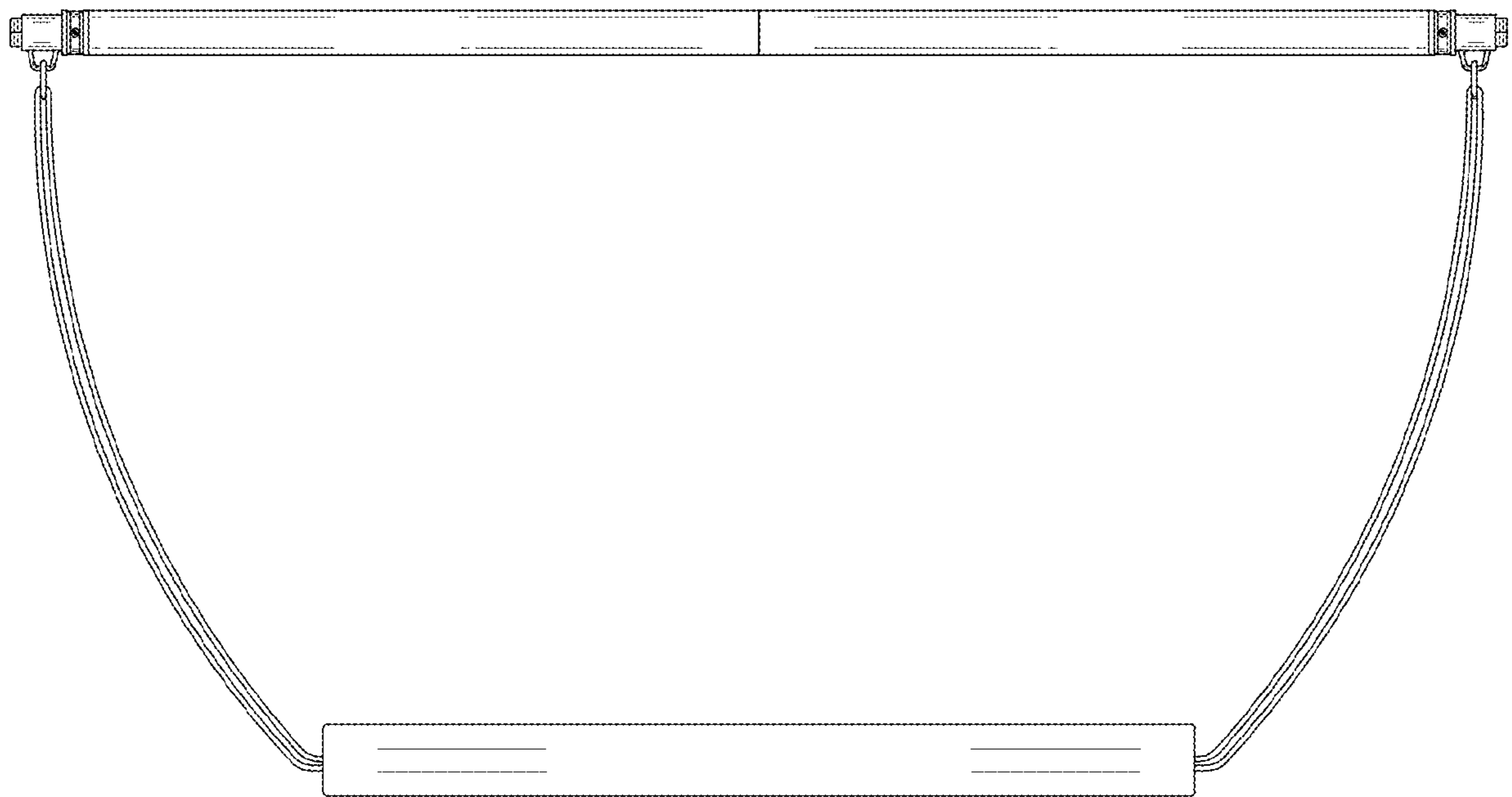


FIG. 2

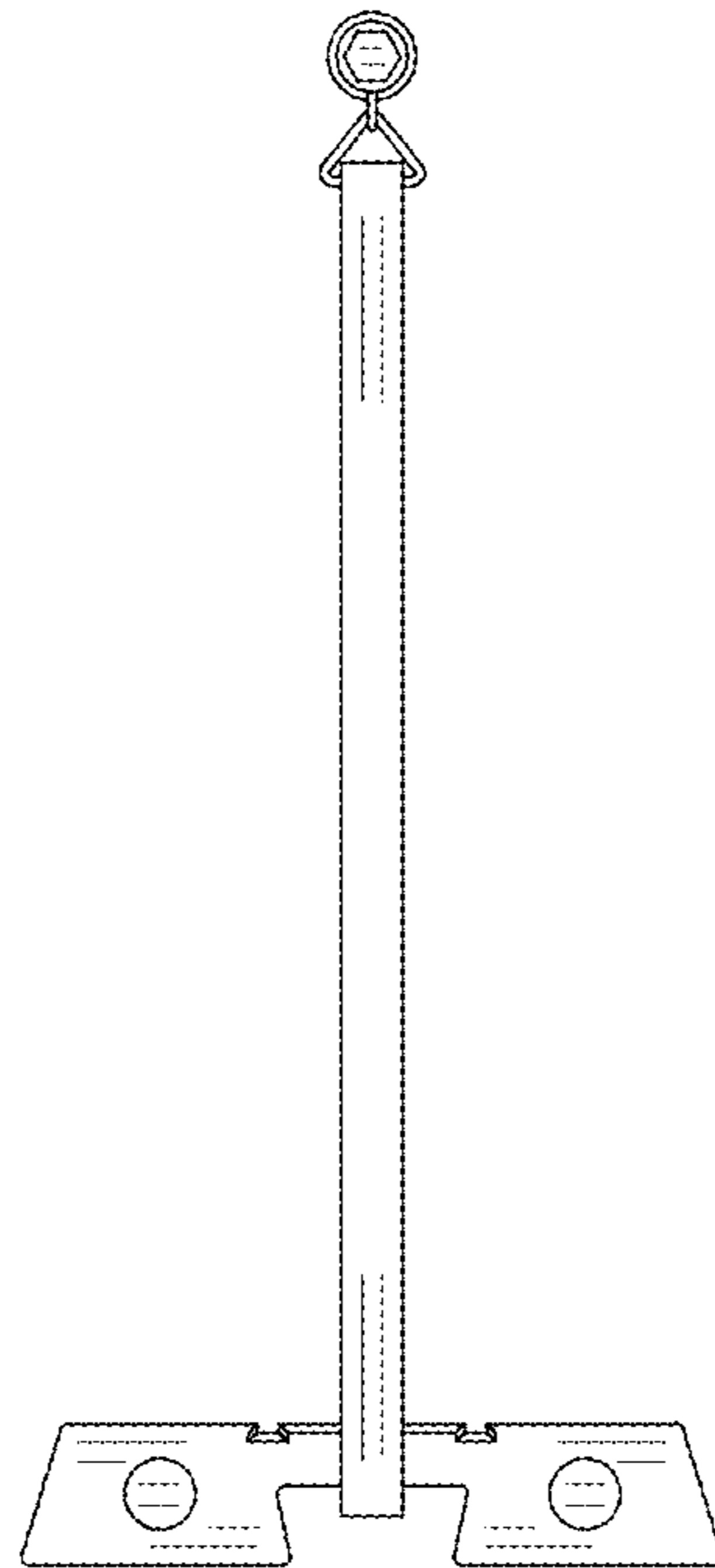


FIG. 3

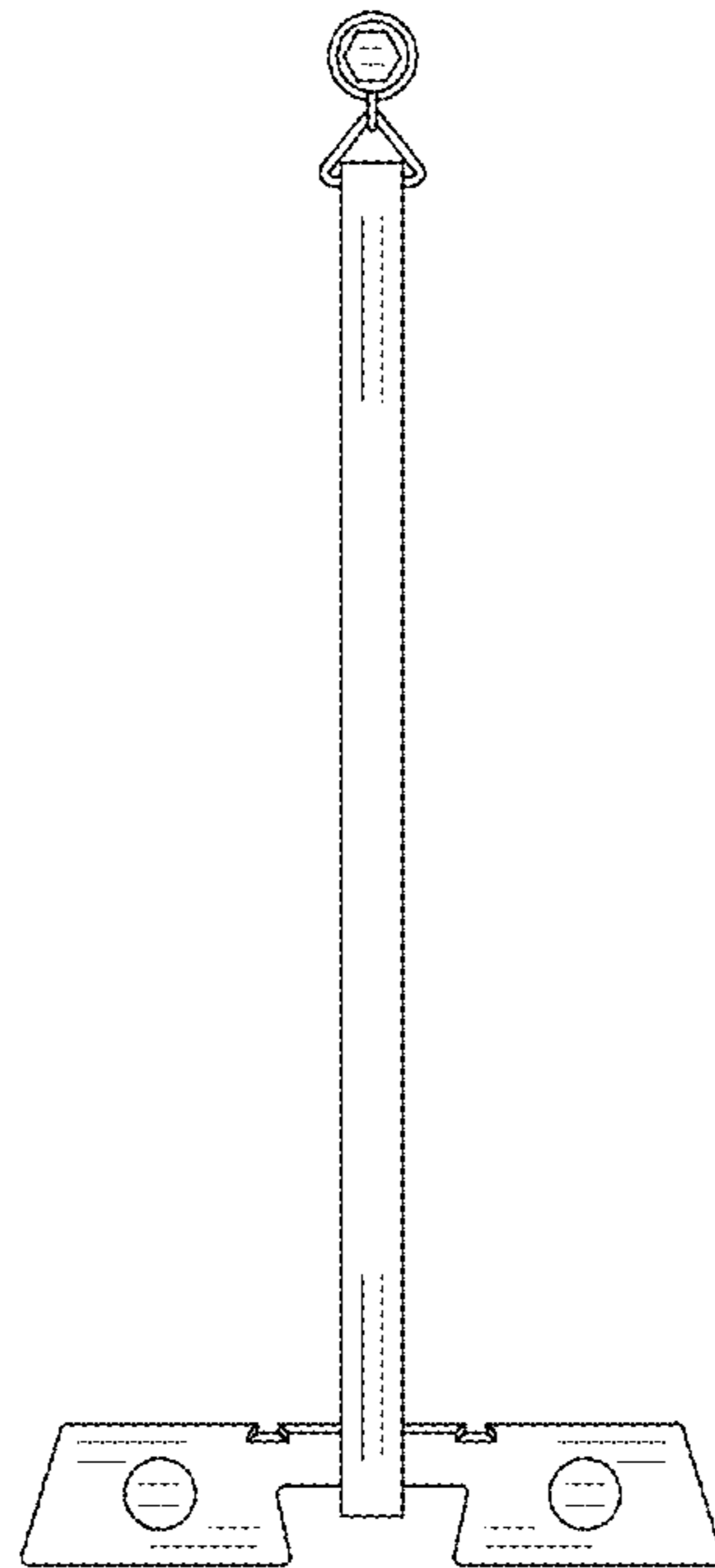


FIG. 4

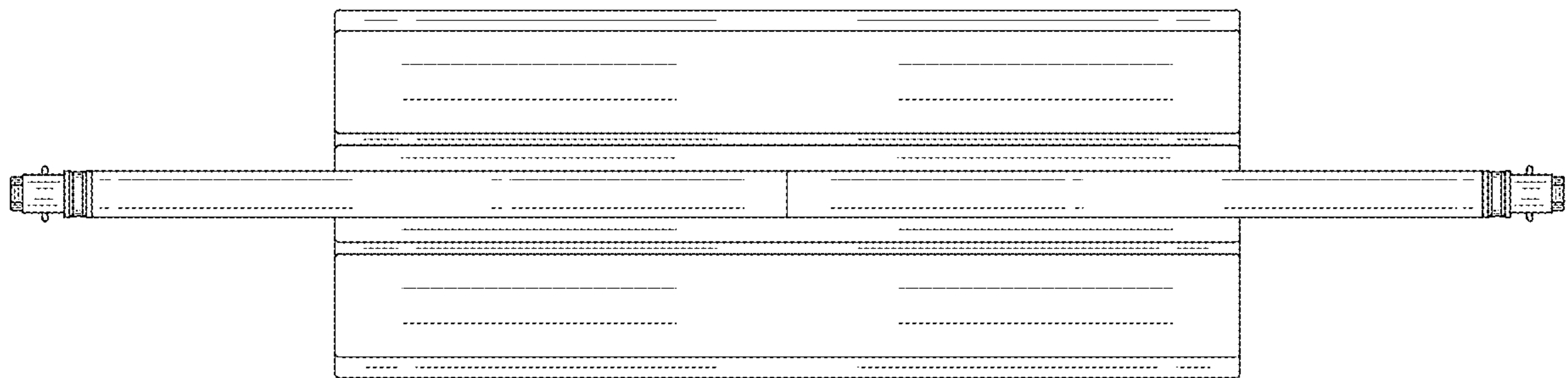


FIG. 5

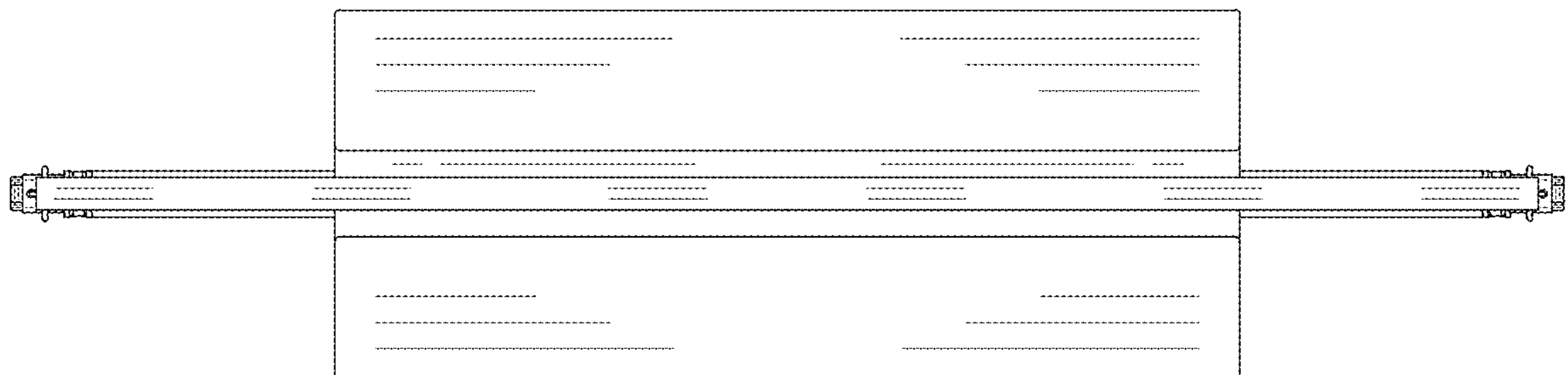


FIG. 6

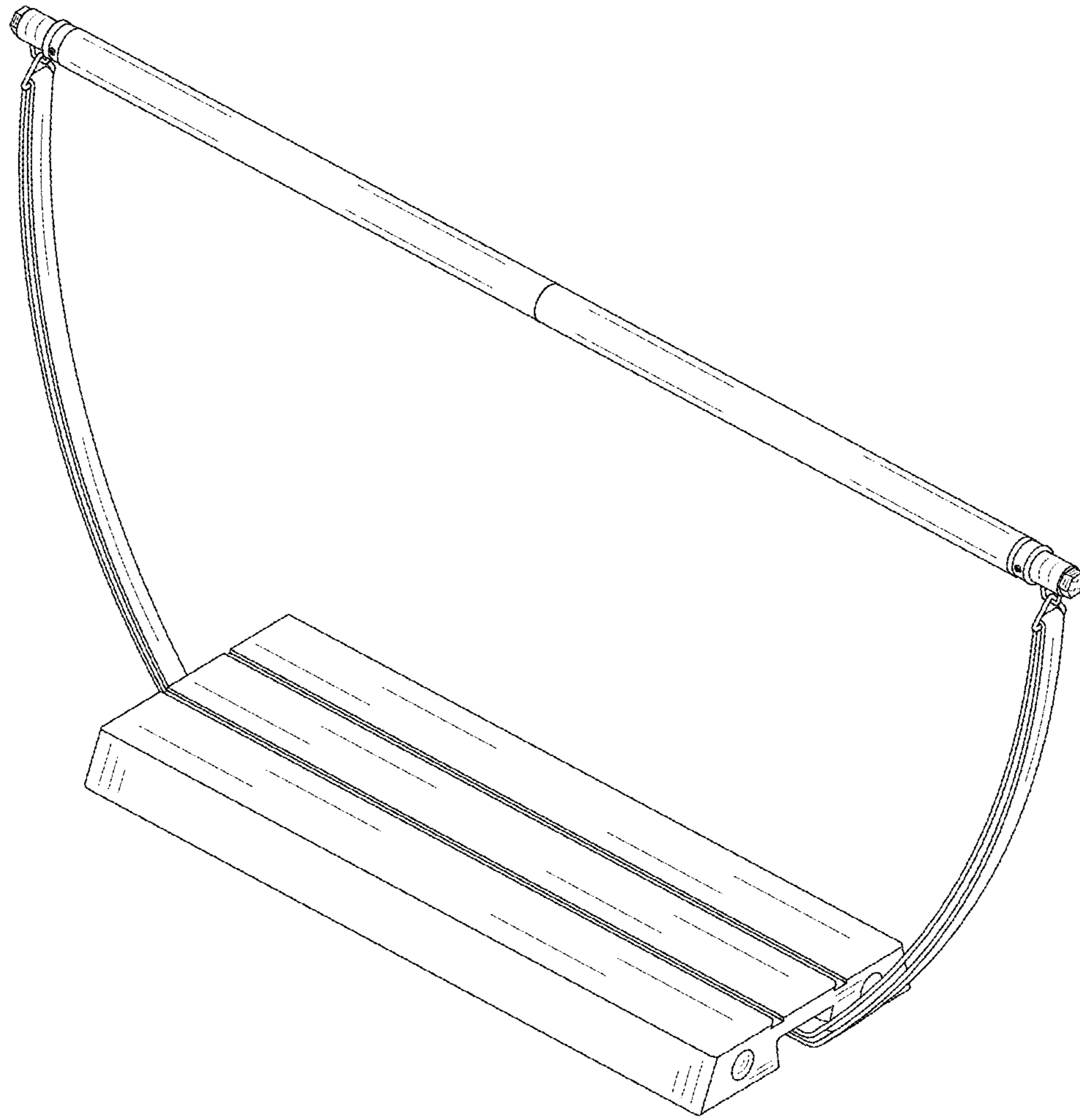


FIG. 7

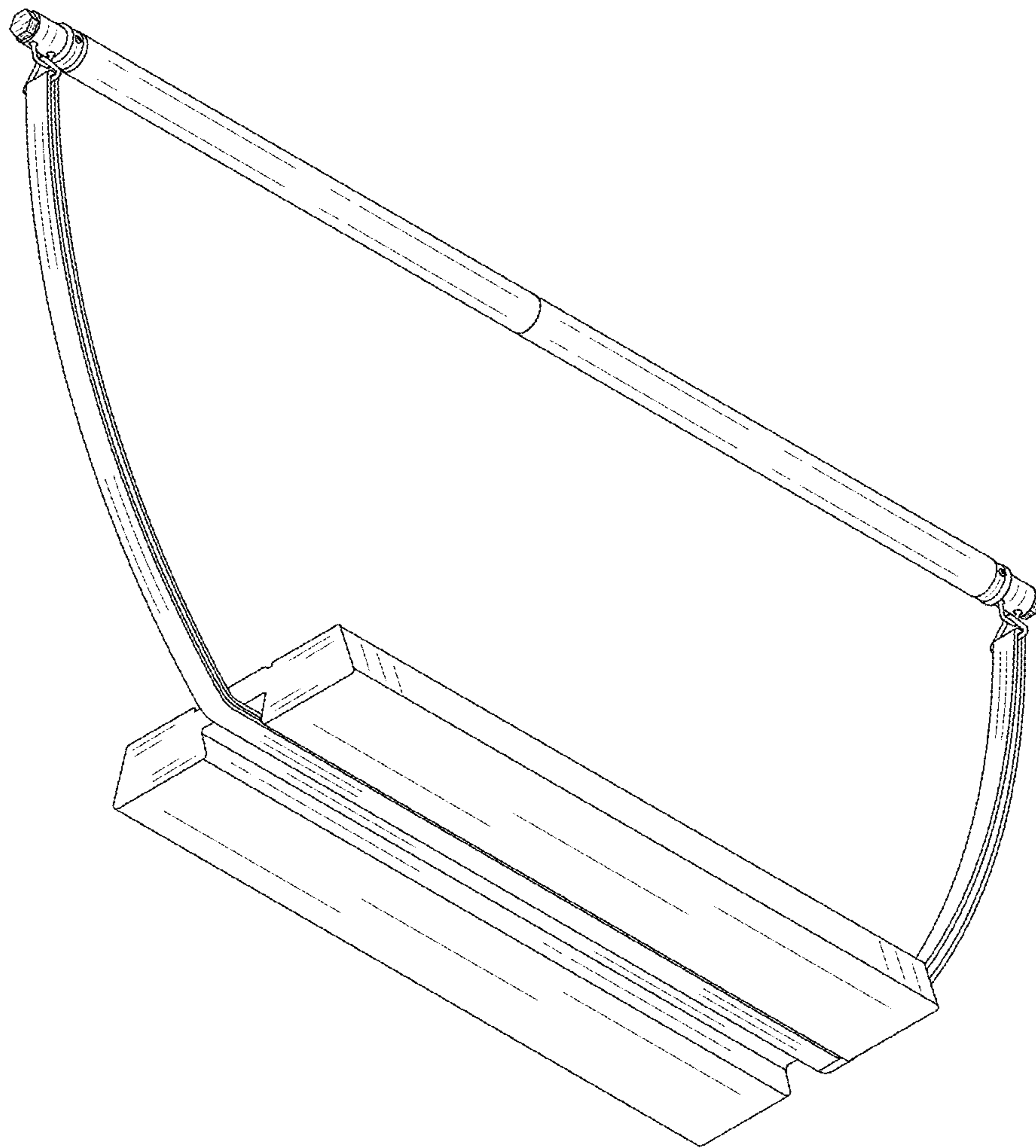


FIG. 8