



US00D951749S

(12) **United States Design Patent**  
**Hillman et al.**

(10) **Patent No.:** **US D951,749 S**

(45) **Date of Patent:** **\*\* May 17, 2022**

(54) **MULTI-TOOL**

(71) Applicant: **DEVIL DOG CONCEPTS, LLC**,  
Binghamton, NY (US)

(72) Inventors: **Cameron Hillman**, Binghamton, NY  
(US); **Wade Harding**, Owego, NY  
(US); **Michael Souza**, Garrison, TX  
(US)

(73) Assignee: **DEVIL DOG CONCEPTS, LLC**,  
Binghamton, NY (US)

(\*\*) Term: **15 Years**

(21) Appl. No.: **29/756,455**

(22) Filed: **Oct. 28, 2020**

**Related U.S. Application Data**

(63) Continuation of application No. 29/756,454, filed on  
Oct. 28, 2020.

(51) **LOC (13) Cl.** ..... **08-05**

(52) **U.S. Cl.**  
USPC ..... **D8/105**; D8/21

(58) **Field of Classification Search**  
USPC ..... D8/105, 16-19, 21, 26; D22/199  
CPC ..... F41A 35/00; F41A 11/00; F41A 21/48  
See application file for complete search history.

(56) **References Cited**

**U.S. PATENT DOCUMENTS**

1,593,722 A \* 7/1926 Joyce ..... F41A 23/00  
248/314  
D443,015 S \* 5/2001 Abdo ..... D22/199  
D502,756 S \* 3/2005 Birdwell ..... D22/199  
D548,552 S \* 8/2007 Elkaim ..... F41A 35/00  
D22/199  
D598,723 S \* 8/2009 Cheng ..... D8/17  
D601,393 S \* 10/2009 Cui ..... D8/17

D666,883 S \* 9/2012 Howard ..... F41A 35/00  
D8/19  
D687,247 S \* 8/2013 Meeks ..... D6/552  
D728,333 S \* 5/2015 Sui ..... D8/21  
D742,706 S \* 11/2015 Sui ..... D8/21  
D762,096 S \* 7/2016 Wilson ..... D8/27  
D772,028 S \* 11/2016 Tangreen ..... D8/17

(Continued)

**OTHER PUBLICATIONS**

Rainier Arms Advanced Armorer's Wrench, by Devil Dog Concepts, published by OpticsPlanet.com, retrieved/viewed on Mar. 12, 2022 from <<https://www.opticsplanet.com/devil-dog-concepts-advanced-armorer-s-wrench.html>> (Year: 2022).\*

*Primary Examiner* — Janice Hallmark

(74) *Attorney, Agent, or Firm* — Eric B. Fugett; Mark A. Pitchford; Pitchford Fugett, PLLC

(57) **CLAIM**

What is claimed is the ornamental design for a multi-tool, as shown and described.

**DESCRIPTION**

FIG. 1 is an elevated front left-side perspective view of a multi-tool showing our new design.

FIG. 2 is a depressed rear right-side perspective view of the multi-tool of FIG. 1.

FIG. 3 is a left-side elevational view of the multi-tool of FIG. 1.

FIG. 4 is a top plan view of the multi-tool of FIG. 1.

FIG. 5 is a bottom plan view of the multi-tool of FIG. 1.

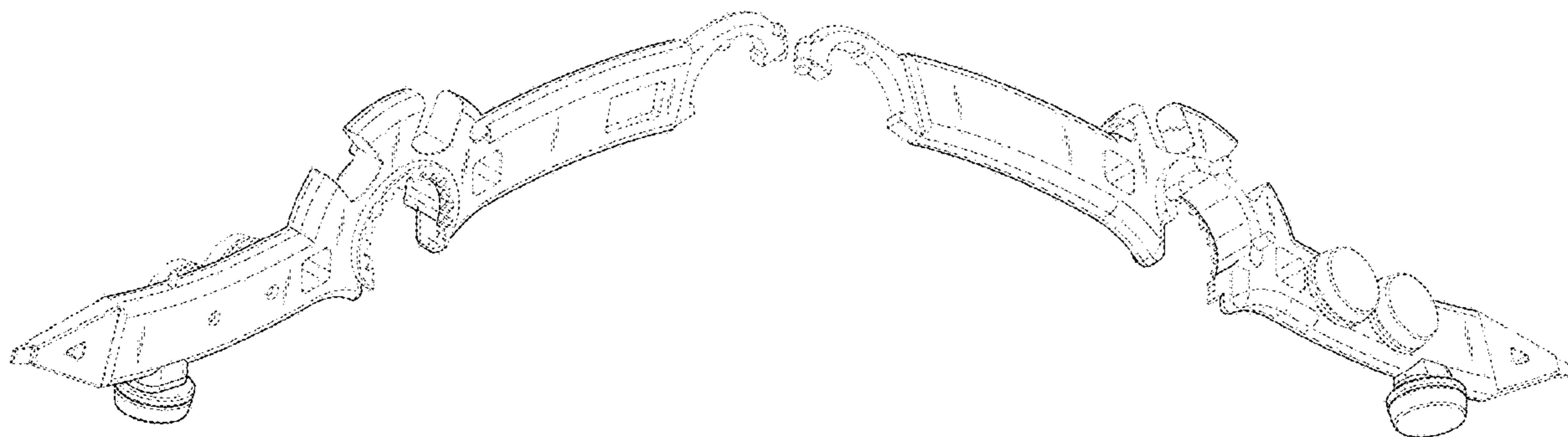
FIG. 6 is a right-side elevational view of the multi-tool of FIG. 1.

FIG. 7 is a front elevational view of the multi-tool of FIG. 1; and,

FIG. 8 is a rear elevational view of the multi-tool of FIG. 1.

The broken lines in the figures depict portions of the multi-tool that form no part of the claimed design.

**1 Claim, 4 Drawing Sheets**



(56)

**References Cited**

U.S. PATENT DOCUMENTS

D900,568 S \* 11/2020 Zimmer ..... D8/21  
D931,407 S \* 9/2021 Williams ..... D22/199  
2011/0314719 A1\* 12/2011 Tripp ..... B25B 13/56  
42/108  
2019/0285377 A1\* 9/2019 Jacobson ..... B25B 13/48

\* cited by examiner

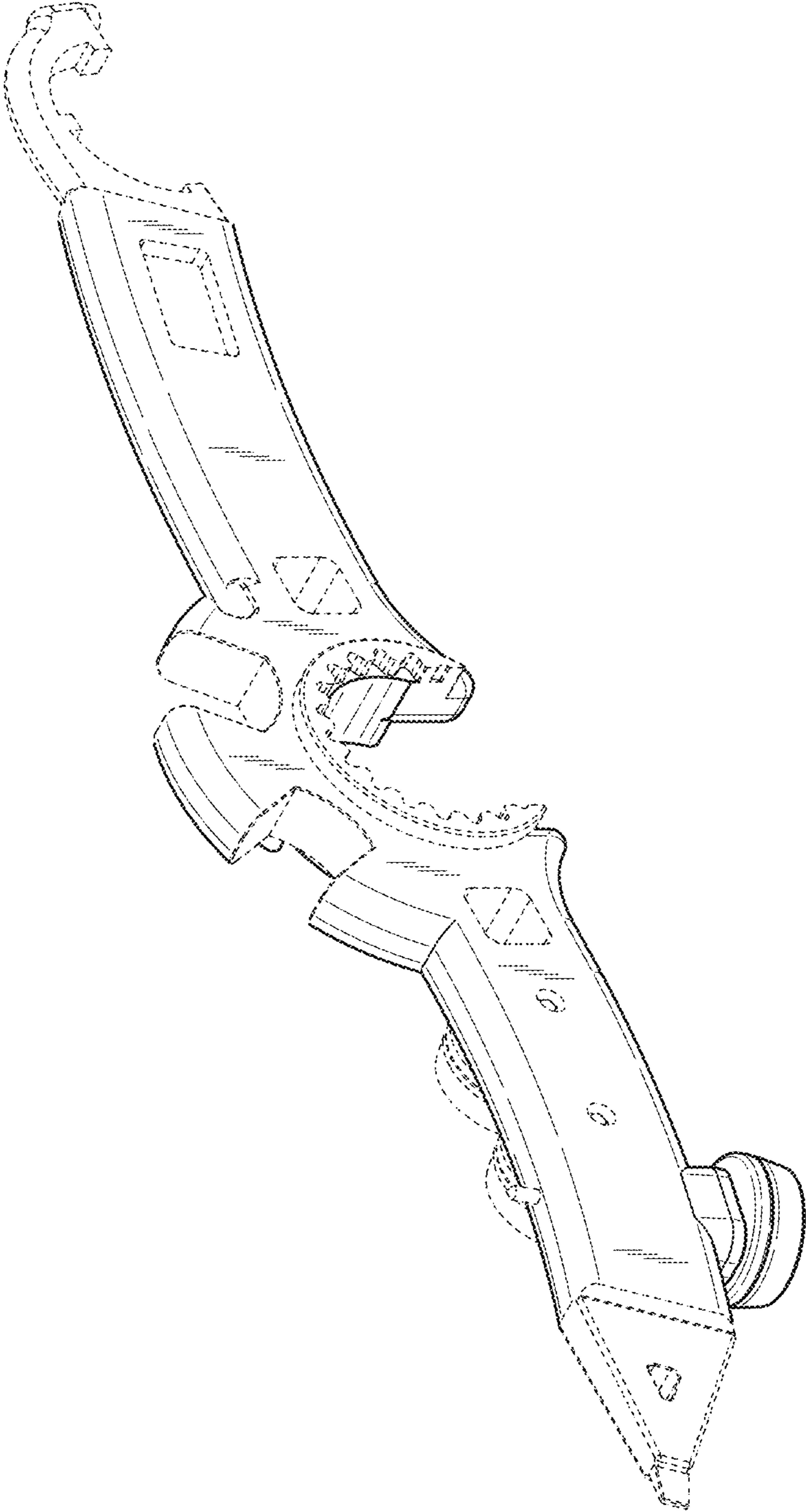


FIG. 1

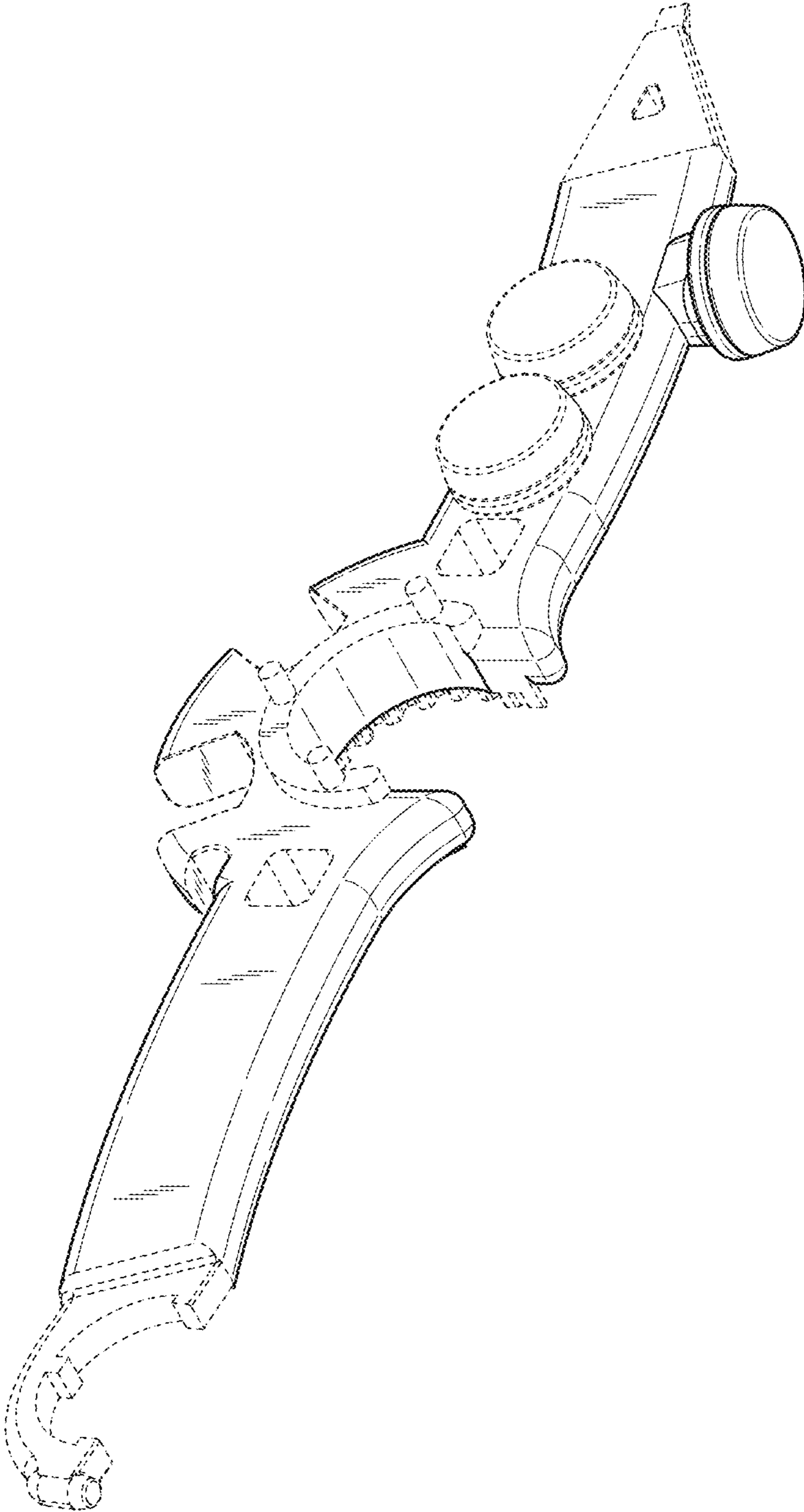


FIG. 2

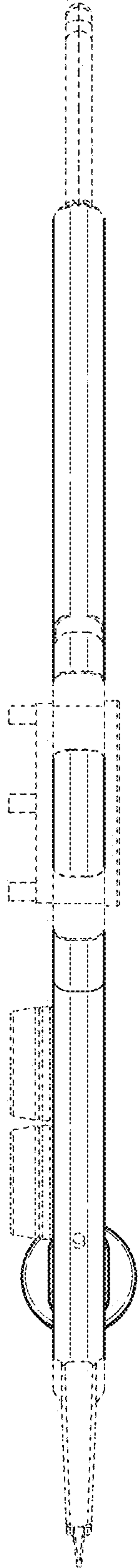


FIG. 4

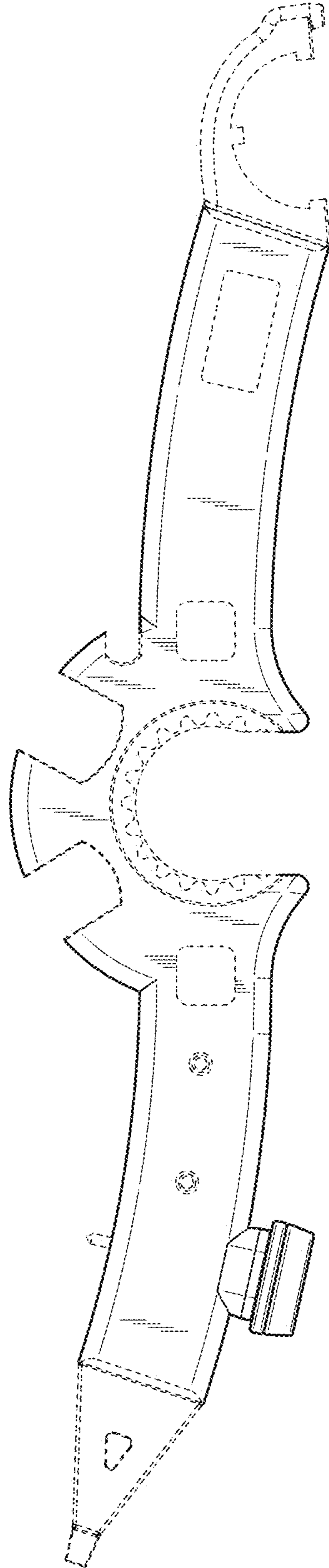


FIG. 3

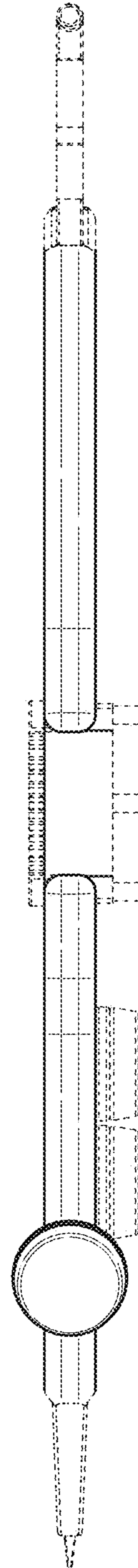


FIG. 5

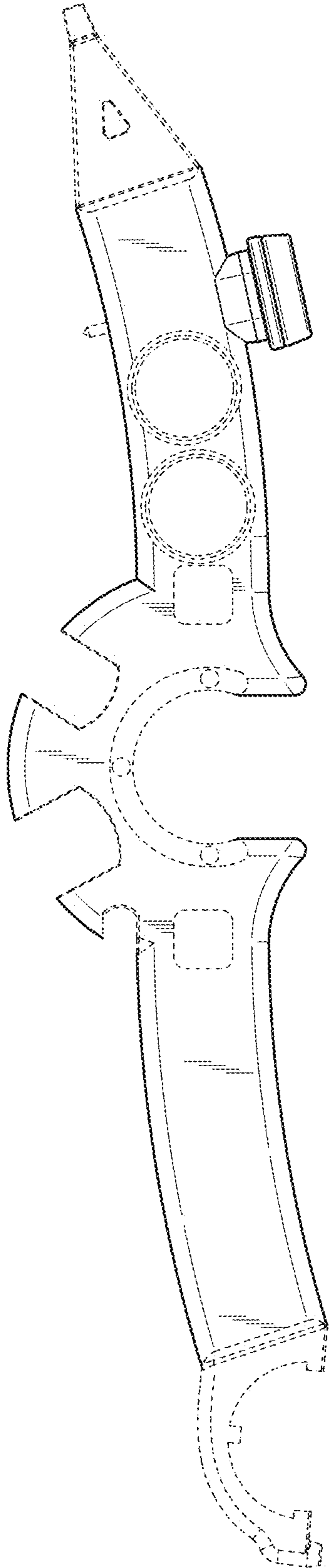


FIG. 6

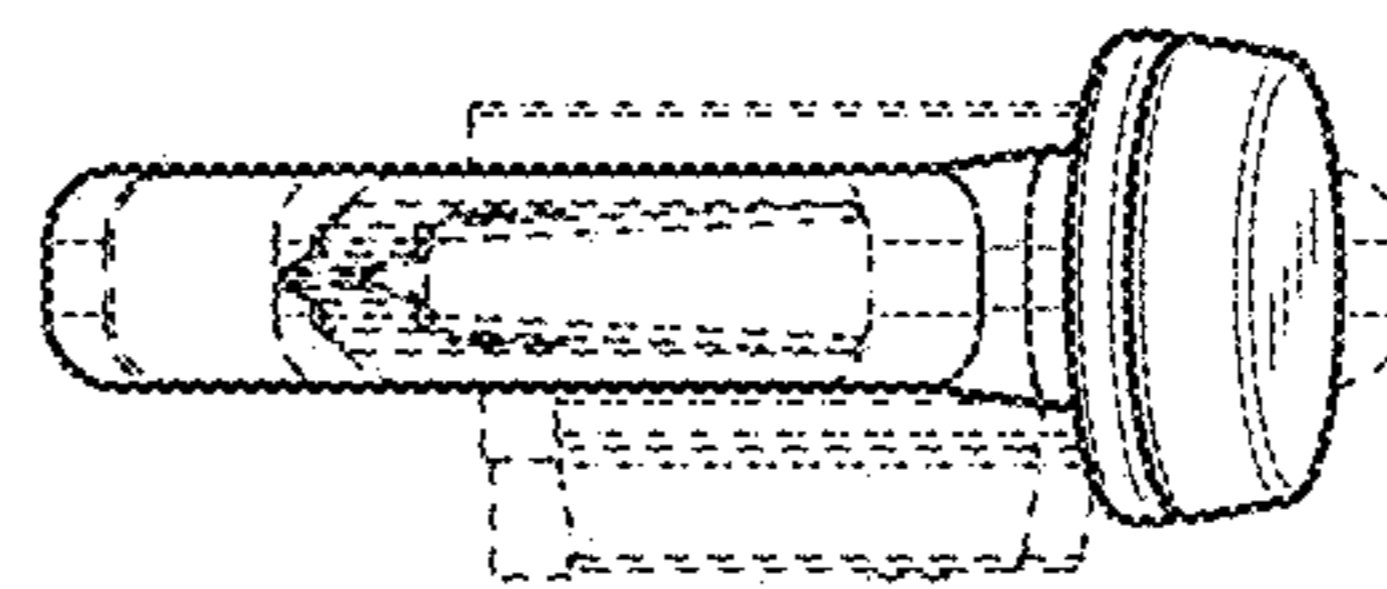


FIG. 7

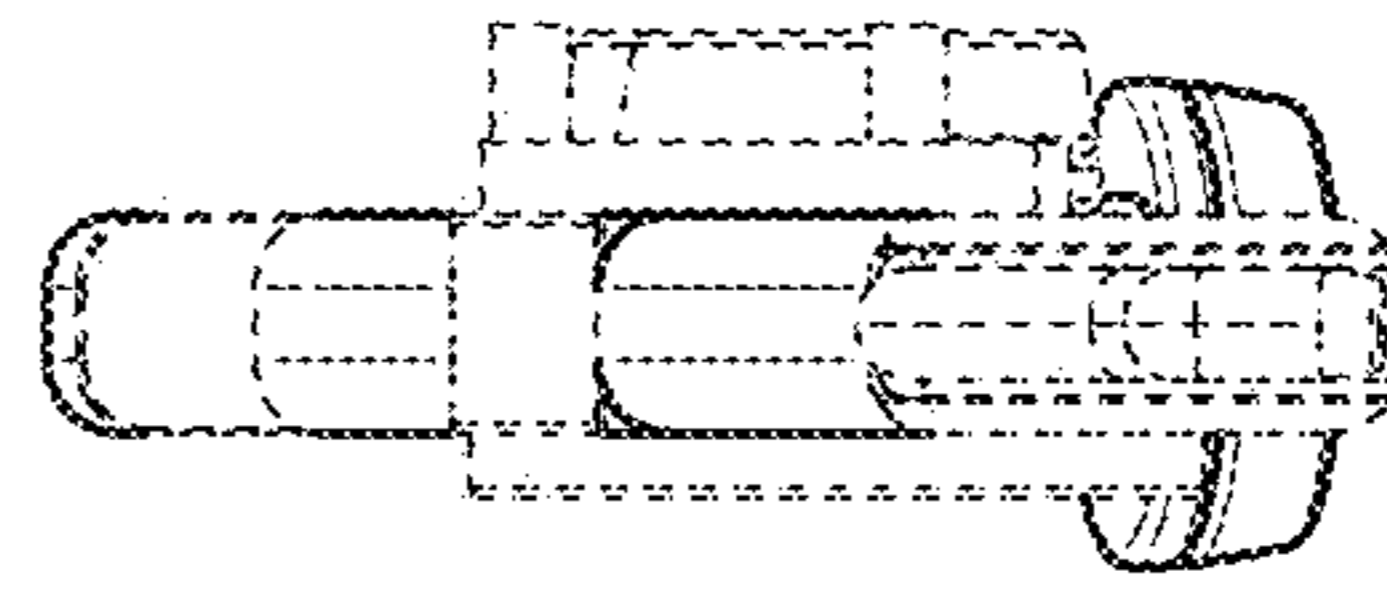


FIG. 8