



US00D951747S

(12) **United States Design Patent**  
**Dickman et al.**

(10) **Patent No.:** **US D951,747 S**

(45) **Date of Patent:** **\*\* May 17, 2022**

- (54) **FOLDING KNIFE**
- (71) Applicant: **BENCHMADE KNIFE CO., INC.**,  
Oregon City, OR (US)
- (72) Inventors: **Ryan Dickman**, Sandy, OR (US);  
**Anthony Cuomo**, Tigard, OR (US);  
**Wes Duey**, Oregon City, OR (US);  
**Nate Radcliffe**, Lake Oswego, OR (US)
- (73) Assignee: **Benchmade Knife Co., Inc.**, Oregon  
City, OR (US)

6,574,868 B1 *	6/2003	Overholt	.....	B26B 5/00	30/155
D567,055 S *	4/2008	Renzi	.....	D8/99	
D593,838 S *	6/2009	Williams	.....	D8/99	
D613,574 S *	4/2010	Pohl	.....	D8/99	
D696,919 S *	1/2014	Leh	.....	D8/99	
D703,509 S *	4/2014	Hyma	.....	D8/99	
D703,510 S *	4/2014	Hyma	.....	D8/99	
D768,457 S *	10/2016	Yuhuan	.....	D8/99	
D768,459 S *	10/2016	Yuhuan	.....	D8/99	
D769,692 S *	10/2016	Squiers	.....	D8/99	
D772,676 S *	11/2016	Qiuliang	.....	D8/99	
D848,812 S *	5/2019	Bloch	.....	D8/99	
D889,238 S *	7/2020	Marfione	.....	D8/99	

\* cited by examiner

(\*\*) Term: **15 Years**

(21) Appl. No.: **29/747,680**

(22) Filed: **Aug. 24, 2020**

(51) **LOC (13) Cl.** ..... **08-03**

(52) **U.S. Cl.**  
USPC ..... **D8/99**

(58) **Field of Classification Search**  
USPC ..... D8/98, 99, 100, 105, 107  
CPC ..... B26B 5/001; B26B 5/003; B26B 11/00;  
B26B 1/08; B26B 1/02; B26B 1/10;  
B26B 1/04; B26B 1/042; B26B 1/044;  
B26B 1/048; B26B 3/08; B26B 29/06;  
B26B 5/00

See application file for complete search history.

(56) **References Cited**

U.S. PATENT DOCUMENTS

D410,186 S *	5/1999	Balolia	.....	D8/99
D422,479 S *	4/2000	Pardue	.....	D8/99
D438,443 S *	3/2001	Keating	.....	D8/99

*Primary Examiner* — Philip S Hyder

(74) *Attorney, Agent, or Firm* — Schwabe Williamson & Wyatt, P.C.

(57) **CLAIM**

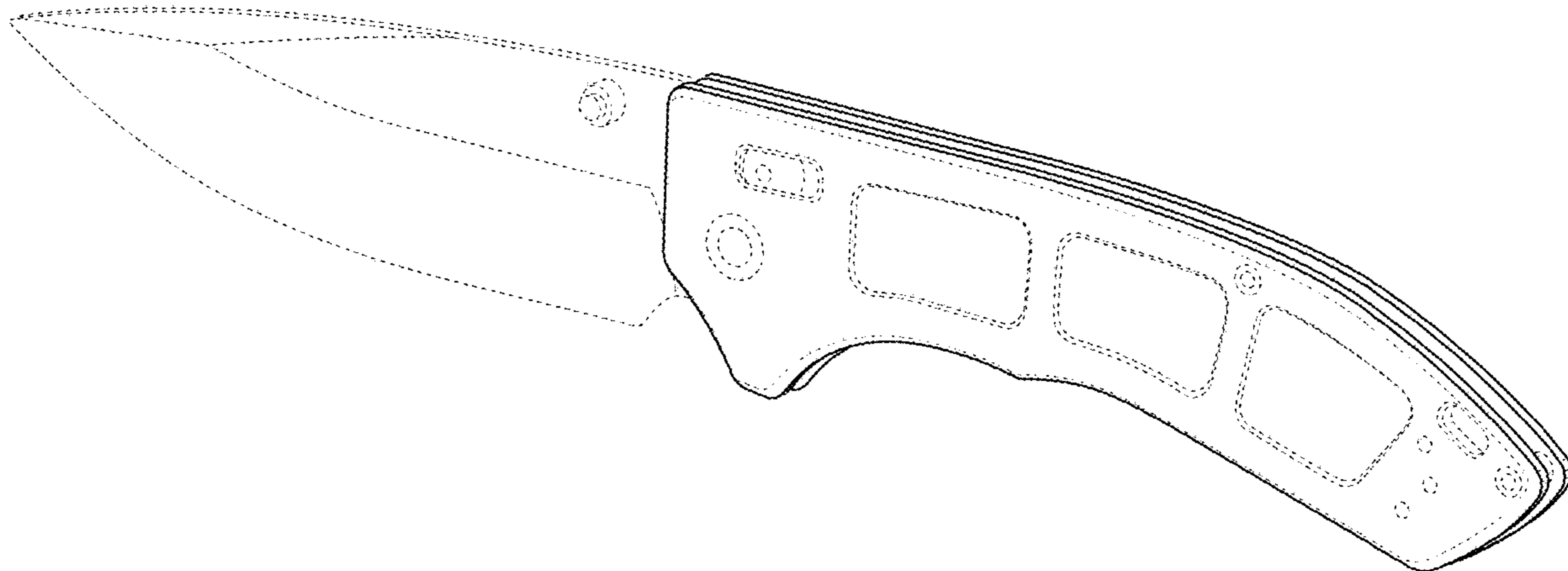
We claim the ornamental design for a folding knife, as shown and described.

**DESCRIPTION**

FIG. 1 is a perspective view of a folding knife, showing our new design;  
FIG. 2 is a right side view thereof;  
FIG. 3 is a left side view thereof;  
FIG. 4 is a top view thereof;  
FIG. 5 is a bottom view thereof;  
FIG. 6 is a front view thereof; and,  
FIG. 7 is a back view thereof.

The broken lines depict portions of the folding knife in which design is embodied that form no part of the claimed design.

**1 Claim, 3 Drawing Sheets**



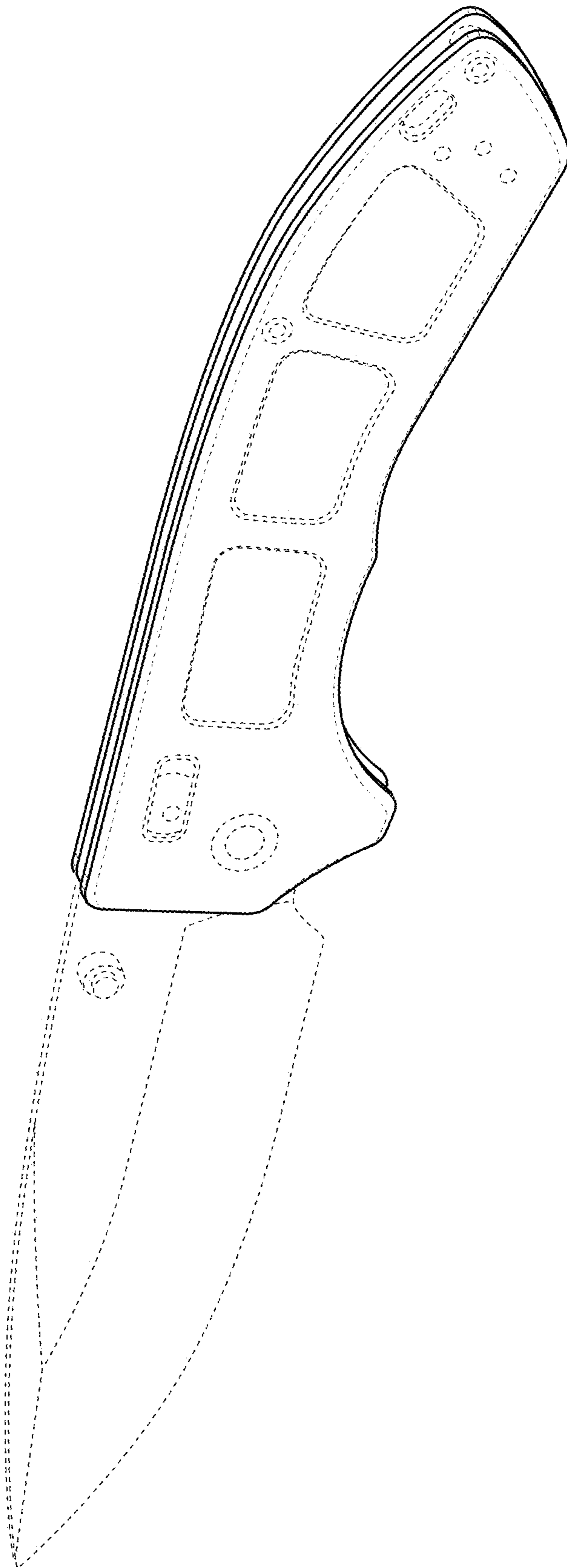


FIG. 1

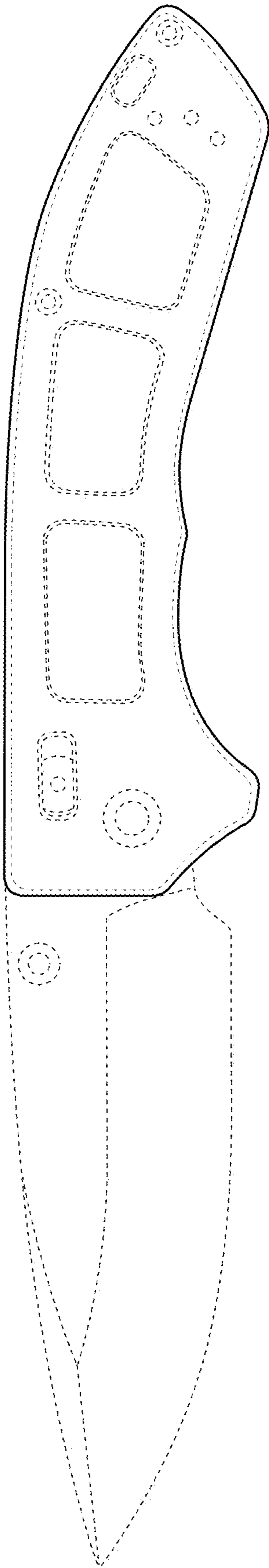


FIG. 2

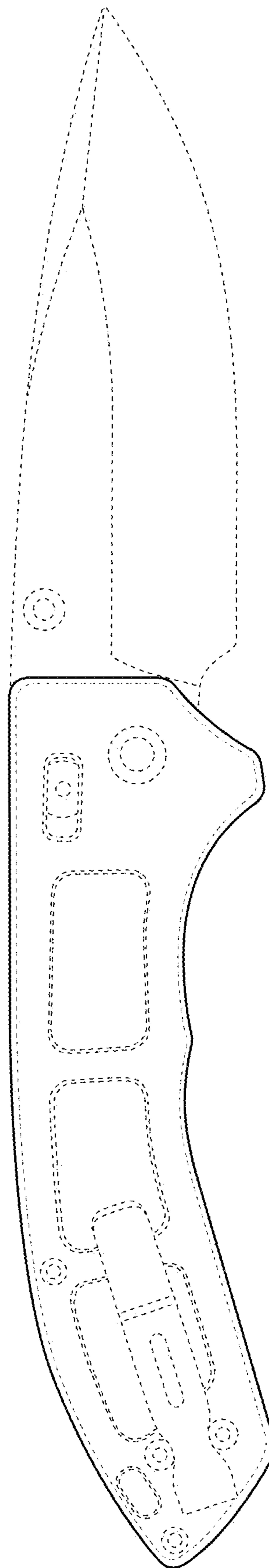


FIG. 3

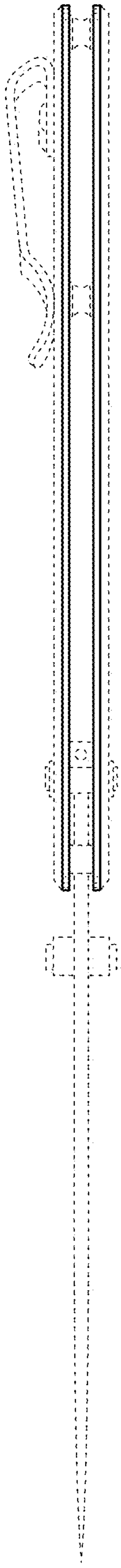


FIG. 4

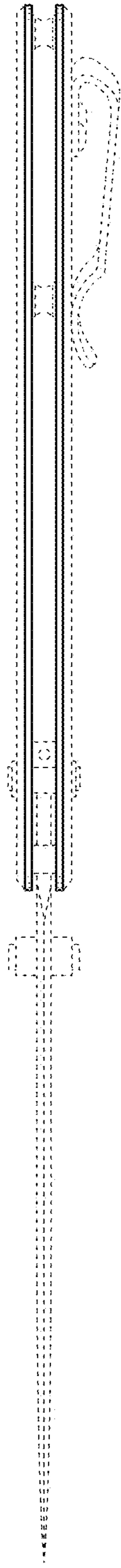


FIG. 5

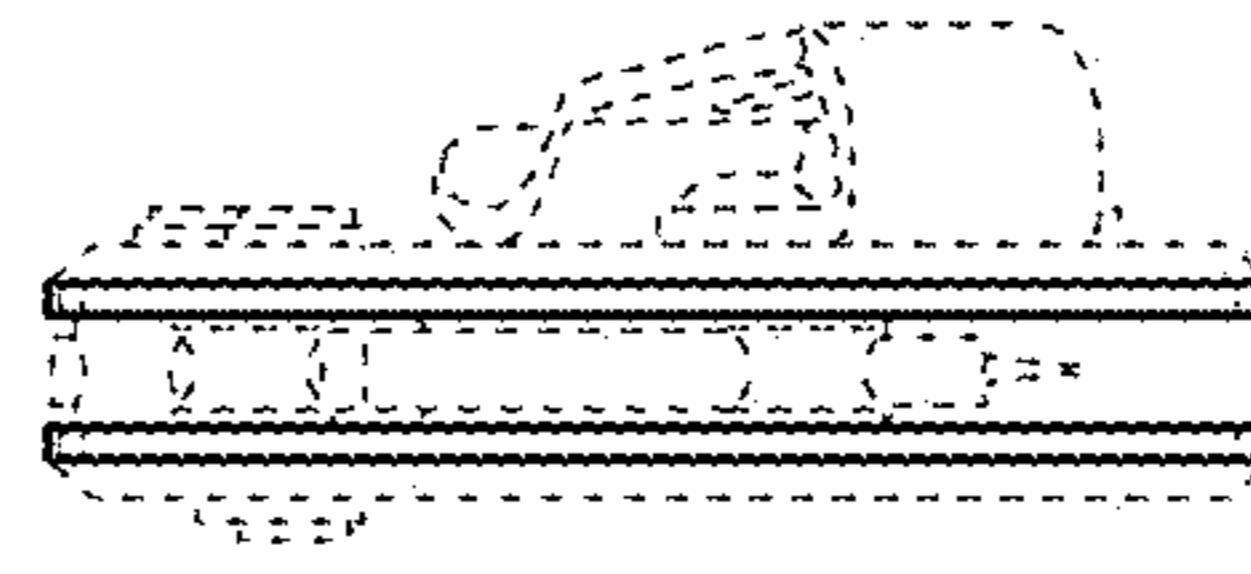


FIG. 7

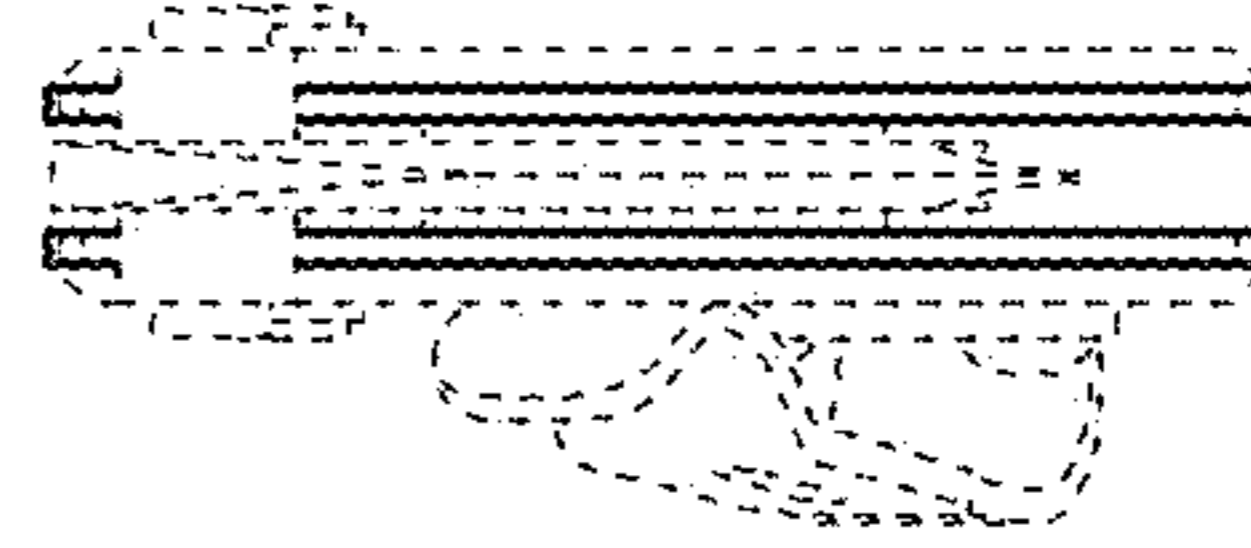


FIG. 6