



US00D951745S

(12) **United States Design Patent** (10) **Patent No.:** **US D951,745 S**  
**Dickman et al.** (45) **Date of Patent:** **\*\* May 17, 2022**

- (54) **OTF KNIFE**
- (71) Applicant: **BENCHMADE KNIFE CO., INC.**,  
Oregon City, OR (US)
- (72) Inventors: **Ryan Dickman**, Sandy, OR (US);  
**Vance Collver**, Gladstone, OR (US);  
**Mark Delplanche**, Beavercreek, OR  
(US); **Nate Radcliffe**, Lake Oswego,  
OR (US)
- (73) Assignee: **Benchmade Knife Co., Inc.**, Oregon  
City, OR (US)
- (\*\*) Term: **15 Years**
- (21) Appl. No.: **29/747,671**
- (22) Filed: **Aug. 24, 2020**
- (51) **LOC (13) Cl.** ..... **08-03**
- (52) **U.S. Cl.**  
USPC ..... **D8/99**
- (58) **Field of Classification Search**  
USPC ..... D8/98, 99, 100, 105, 107  
CPC ..... B26B 5/001; B26B 5/003; B26B 11/00;  
B26B 1/08; B26B 1/02; B26B 1/10;  
B26B 1/04; B26B 1/042; B26B 1/044;  
B26B 1/048; B26B 3/08; B26B 29/06;  
B26B 5/00  
See application file for complete search history.

D464,246 S *	10/2002	Sloan	.....	D8/99
D494,440 S *	8/2004	Carter, III	.....	D22/118
D548,036 S *	8/2007	Worlen	.....	D8/99
D737,110 S *	8/2015	Schutt	.....	D8/99
D741,680 S *	10/2015	Hunter	.....	D8/99
D787,293 S *	5/2017	Prince	.....	D8/99
D806,499 S *	1/2018	Bloch	.....	D8/99
D903,460 S *	12/2020	Marfione	.....	D8/99
2004/0020058 A1 *	2/2004	Vallotton	.....	B26B 1/046 30/160

\* cited by examiner

*Primary Examiner* — Philip S Hyder

(74) *Attorney, Agent, or Firm* — Schwabe Williamson & Wyatt, P.C.

(57) **CLAIM**

We claim the ornamental design for an OTF knife, as shown and described.

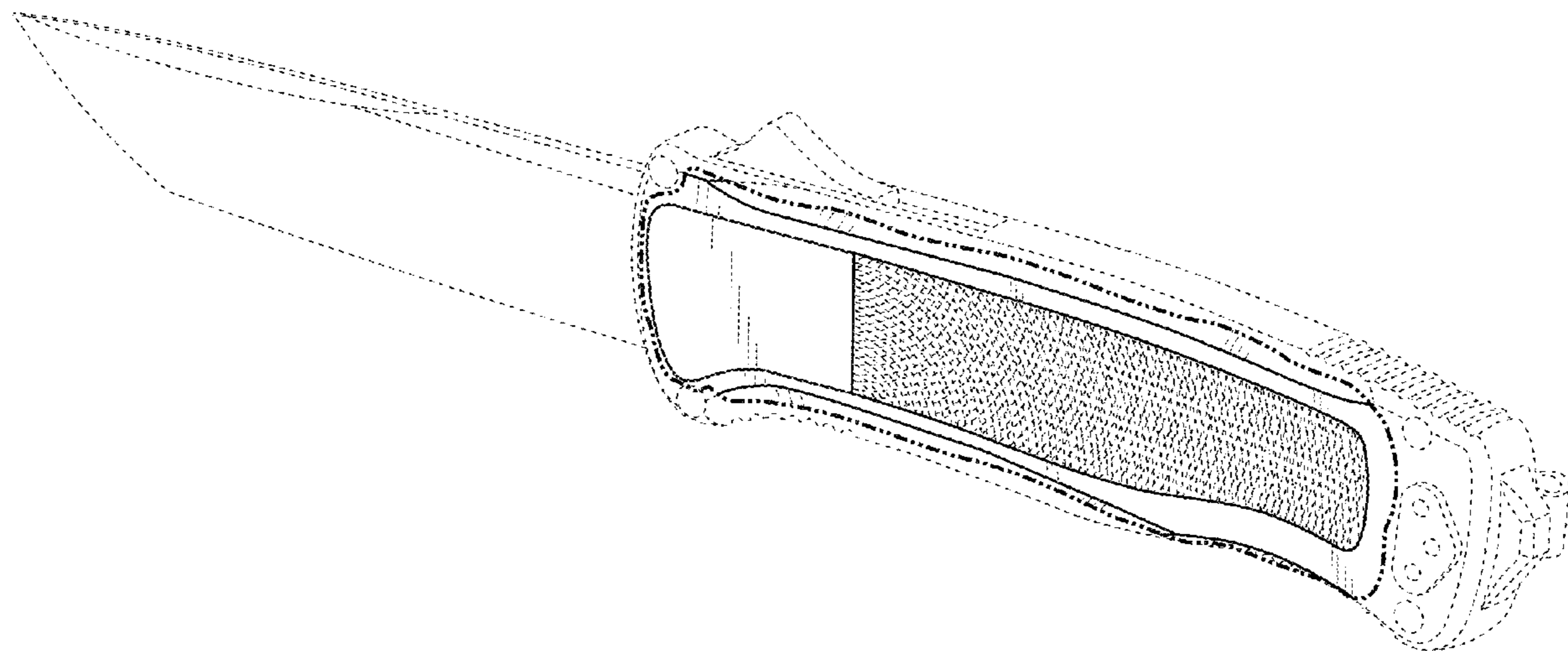
**DESCRIPTION**

FIG. 1 is a perspective view of an OTF knife, showing our new design;  
 FIG. 2 is a right side view thereof;  
 FIG. 3 is a left side view thereof;  
 FIG. 4 is a top view thereof;  
 FIG. 5 is a bottom view thereof;  
 FIG. 6 is a front view thereof; and,  
 FIG. 7 is a back view thereof.

The dot-dot-dash broken lines represent an unclaimed boundary of the claimed design. The remainder of the broken lines depict portions of the OTF knife in which the design is embodied that form no part of the claimed design.

**1 Claim, 3 Drawing Sheets**

- (56) **References Cited**  
U.S. PATENT DOCUMENTS  
D373,716 S \* 9/1996 Keys ..... D8/107  
D399,113 S \* 10/1998 Balolia ..... D8/99



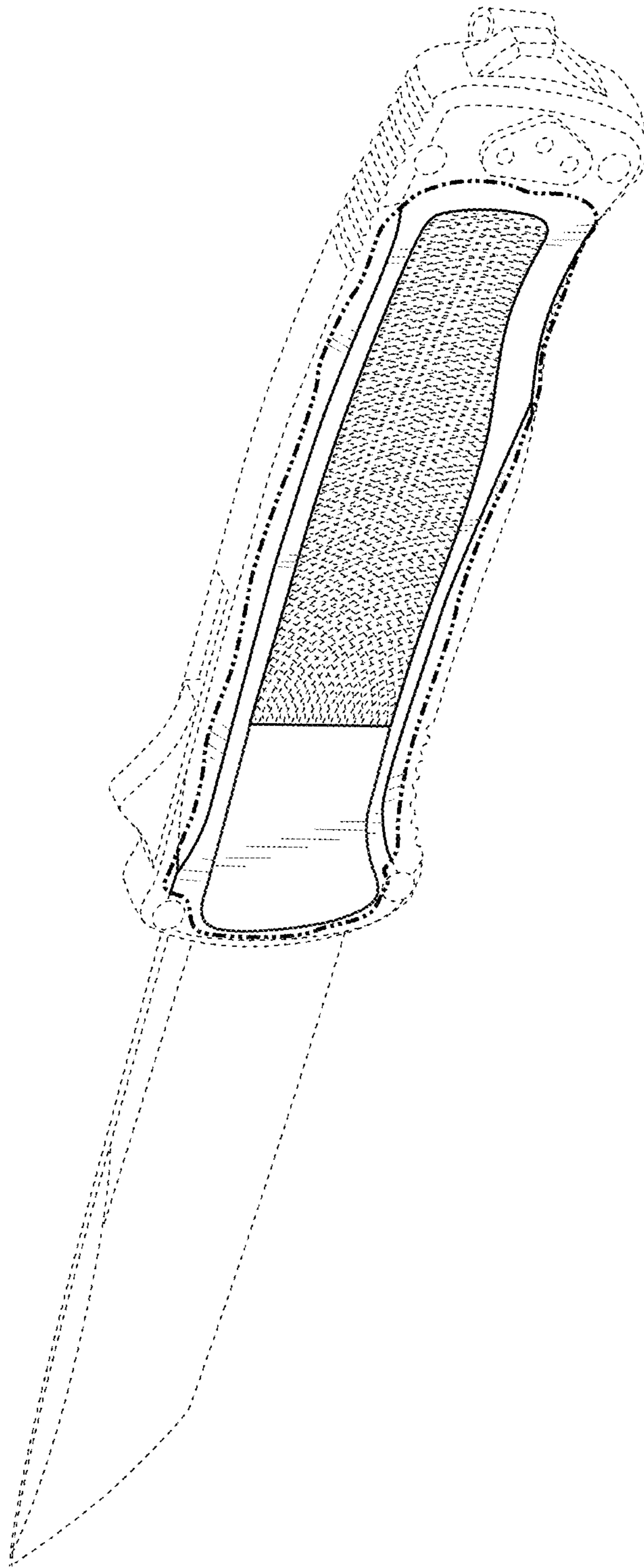


FIG. 1

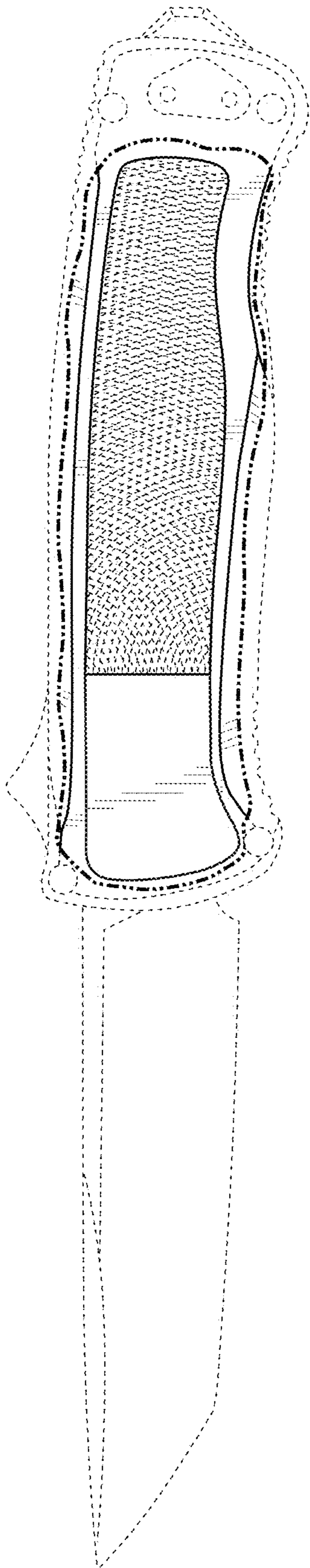


FIG. 2

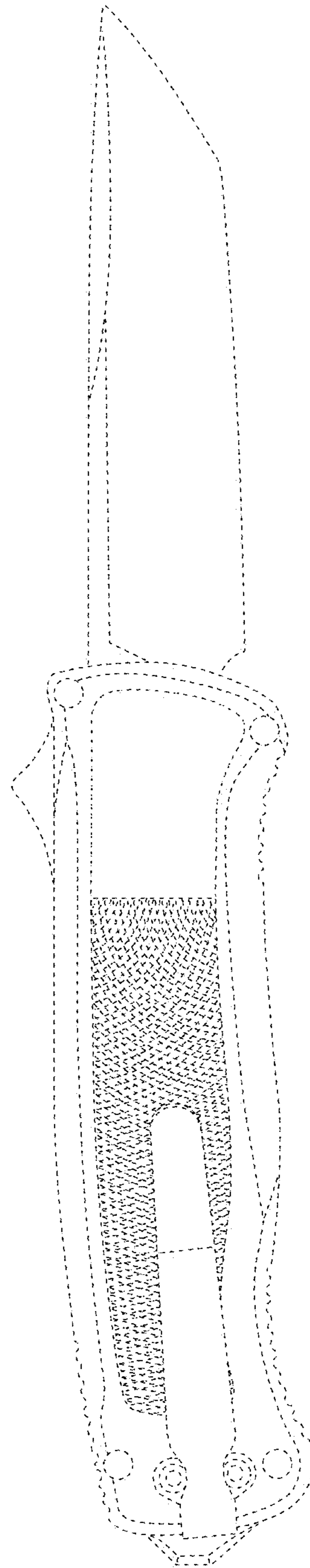


FIG. 3

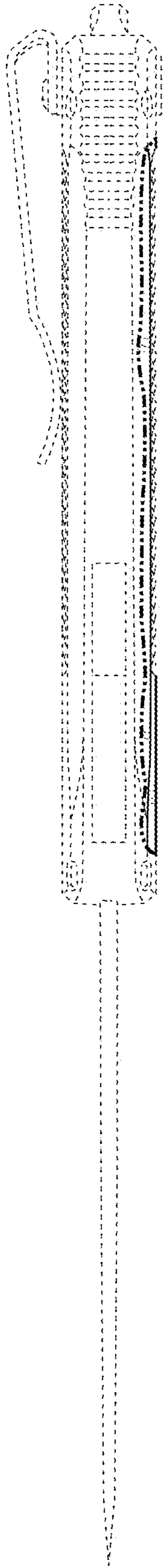


FIG. 4

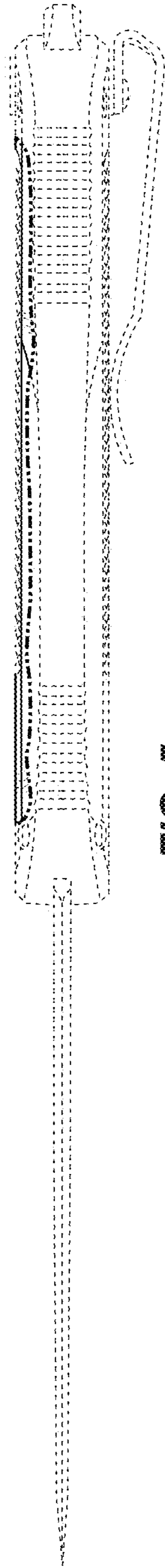


FIG. 5



FIG. 6

FIG. 7