



US00D951744S

(12) **United States Design Patent** (10) **Patent No.:** **US D951,744 S**  
**Dickman et al.** (45) **Date of Patent:** **\*\* May 17, 2022**

(54) **OTF KNIFE**

(71) Applicant: **BENCHMADE KNIFE CO., INC.**,  
Oregon City, OR (US)

(72) Inventors: **Ryan Dickman**, Sandy, OR (US);  
**Vance Collver**, Gladstone, OR (US);  
**Mark Delplanche**, Beavercreek, OR  
(US); **Nate Radcliffe**, Lake Oswego,  
OR (US)

(73) Assignee: **Benchmade Knife Co., Inc.**, Oregon  
City, OR (US)

(\*\*) Term: **15 Years**

(21) Appl. No.: **29/747,669**

(22) Filed: **Aug. 24, 2020**

(51) **LOC (13) Cl.** ..... **08-03**

(52) **U.S. Cl.**  
USPC ..... **D8/99**

(58) **Field of Classification Search**

USPC ..... D8/98, 99, 100, 105, 107  
CPC ..... B26B 5/001; B26B 5/003; B26B 11/00;  
B26B 1/08; B26B 1/02; B26B 1/10;  
B26B 1/04; B26B 1/042; B26B 1/044;  
B26B 1/048; B26B 3/08; B26B 29/06;  
B26B 5/00

See application file for complete search history.

(56) **References Cited**

U.S. PATENT DOCUMENTS

D373,716 S \* 9/1996 Keys ..... D8/107  
D399,113 S \* 10/1998 Balolia ..... D8/99

D422,479 S \* 4/2000 Pardue ..... D8/99  
D578,857 S \* 10/2008 Yang-Fu ..... D8/99  
D703,510 S \* 4/2014 Hyma ..... D8/99  
D737,110 S \* 8/2015 Schuft ..... D8/99  
D769,692 S \* 10/2016 Squiers ..... D8/99  
D789,763 S \* 6/2017 Squiers ..... D8/99  
D790,945 S \* 7/2017 Squiers ..... D8/99  
D795,039 S \* 8/2017 Squiers ..... D8/99  
D863,927 S \* 10/2019 Chalfant ..... D8/99  
D889,238 S \* 7/2020 Marfione ..... D8/99

\* cited by examiner

*Primary Examiner* — Philip S Hyder

(74) *Attorney, Agent, or Firm* — Schwabe Williamson &  
Wyatt, P.C.

(57) **CLAIM**

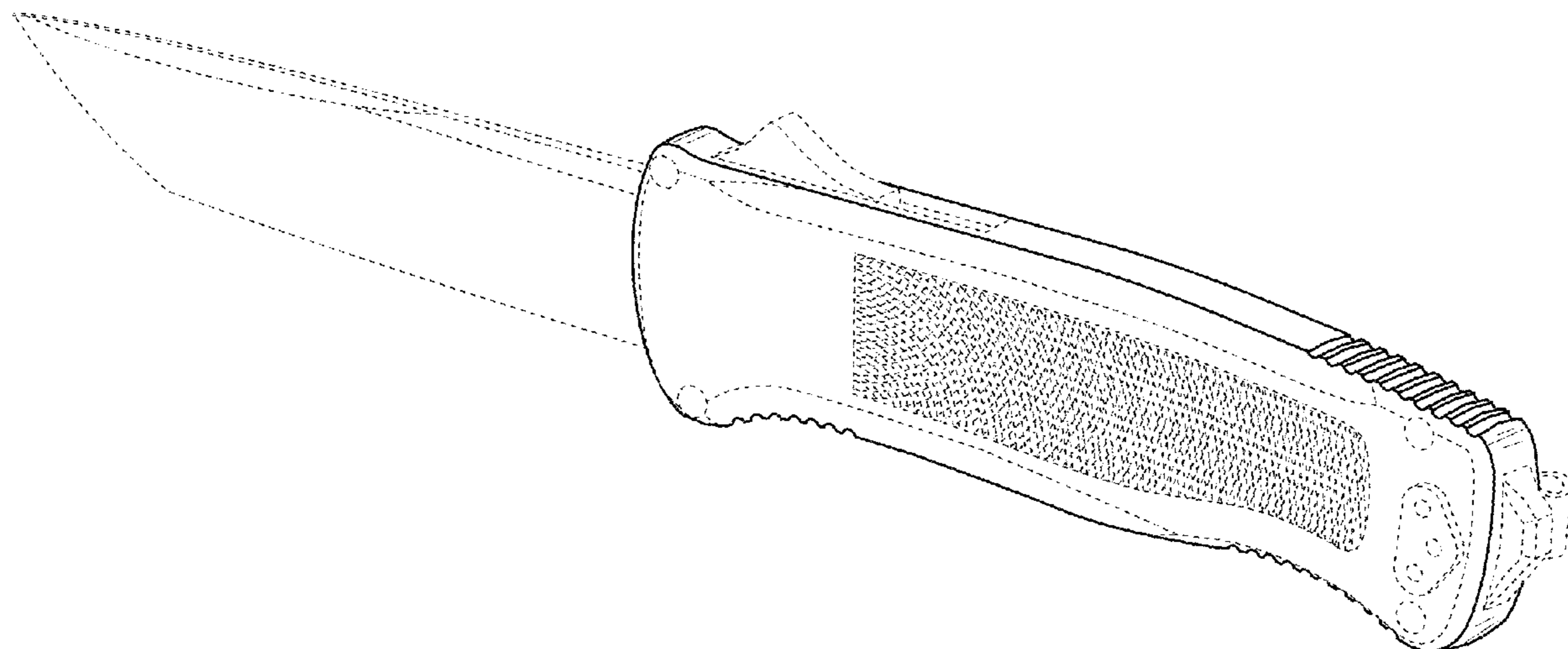
We claim the ornamental design for an OTF knife, as shown  
and described.

**DESCRIPTION**

FIG. 1 is a perspective view of an OTF knife, showing our  
new design;  
FIG. 2 is a right side view thereof;  
FIG. 3 is a left side view thereof;  
FIG. 4 is a top view thereof;  
FIG. 5 is a bottom view thereof;  
FIG. 6 is a front view thereof; and,  
FIG. 7 is a back view thereof.

The broken lines depict portions of the OTF knife in which  
the design is embodied that form no part of the claimed  
design.

**1 Claim, 3 Drawing Sheets**



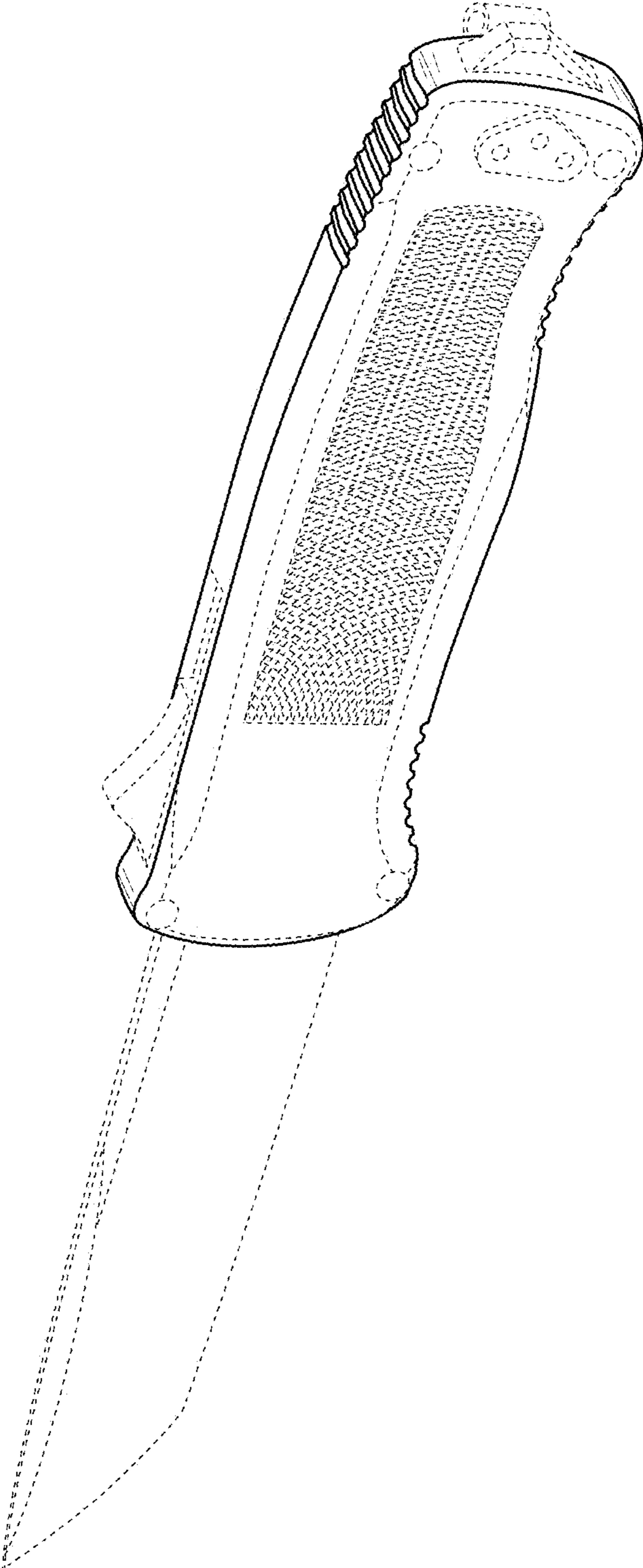


FIG. 1

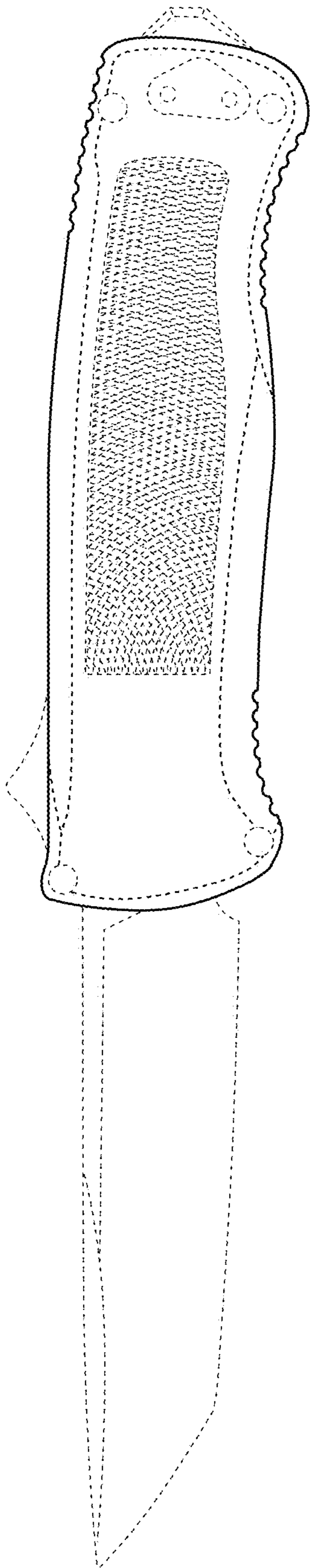


FIG. 2

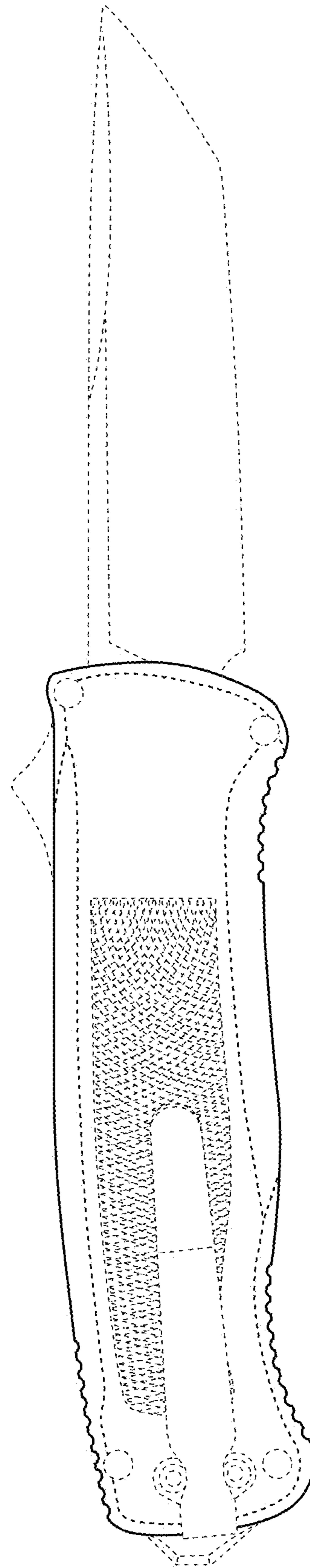


FIG. 3

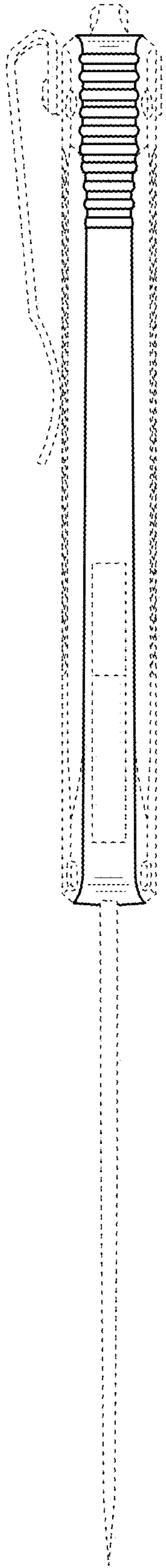


FIG. 4

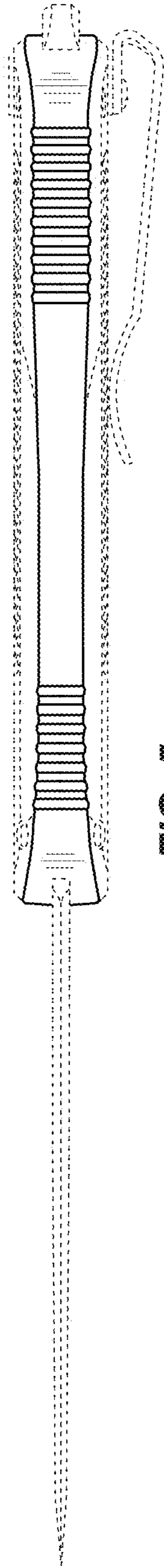


FIG. 5

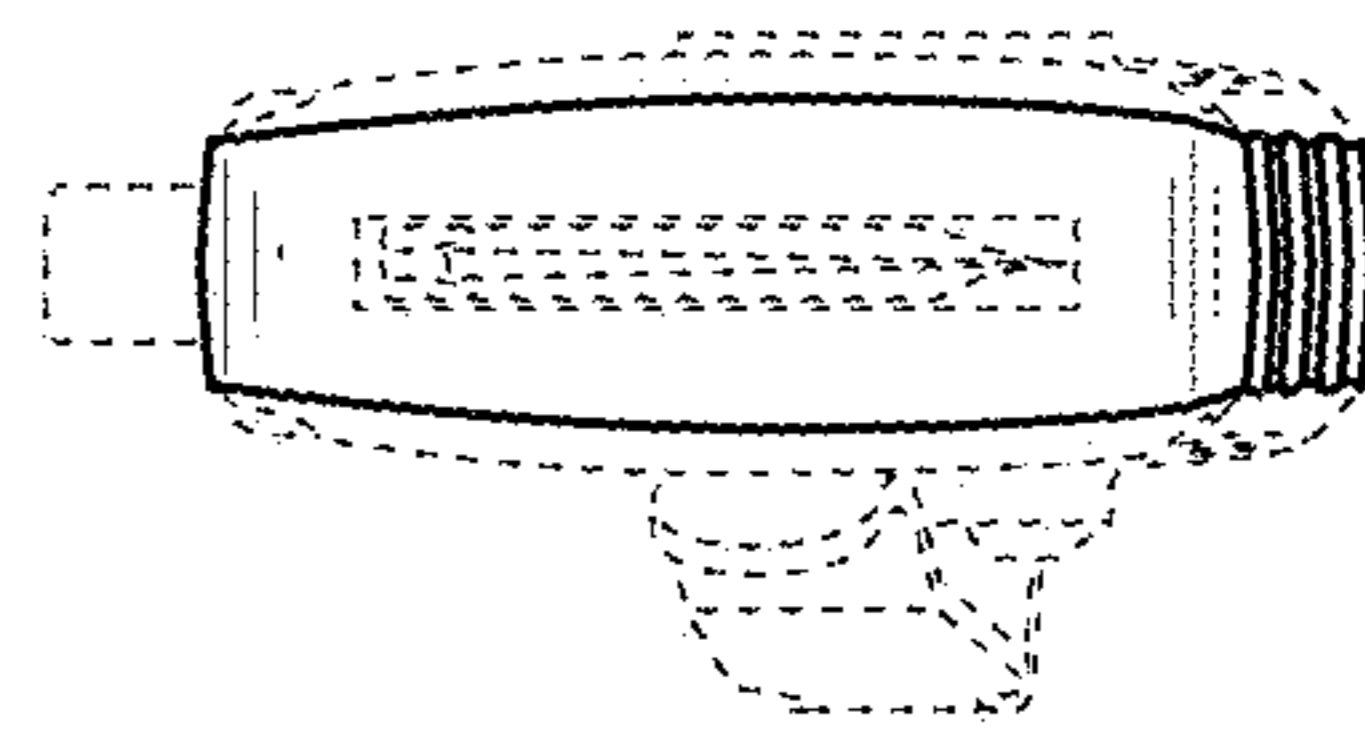


FIG. 6

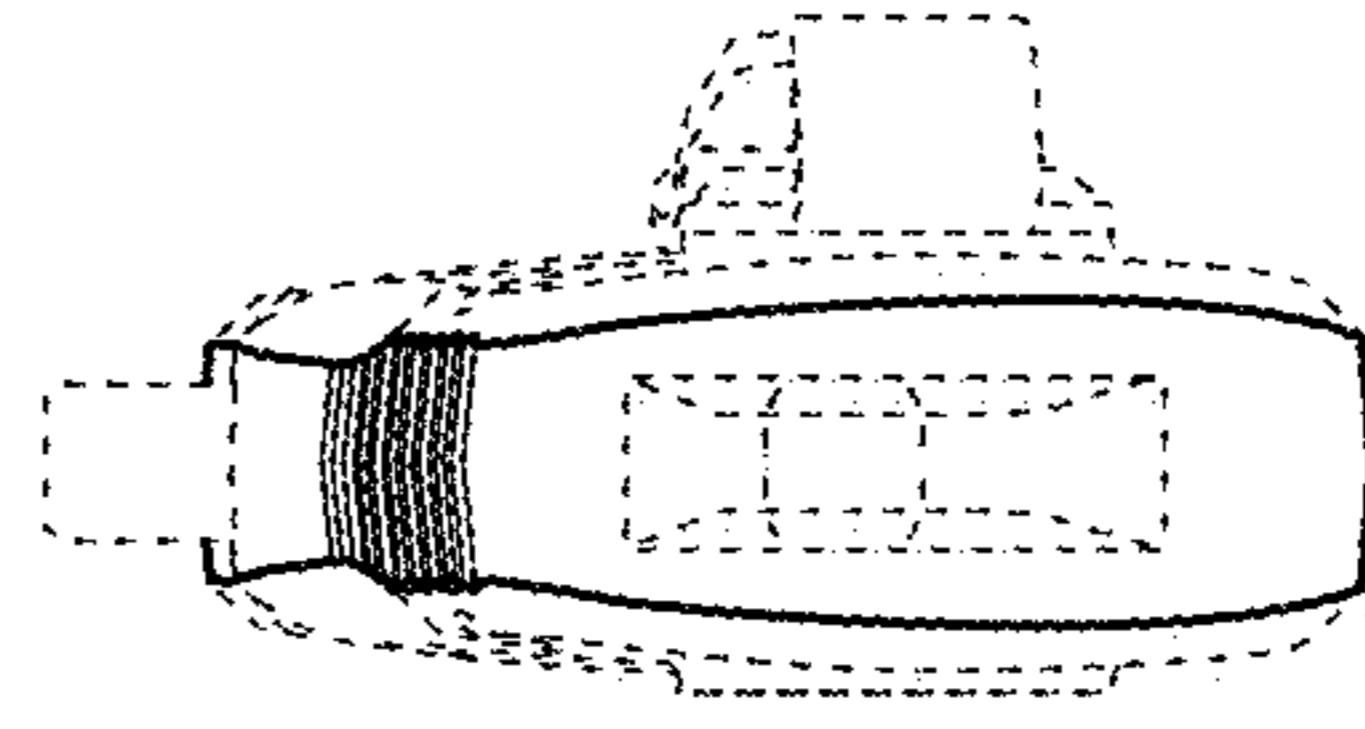


FIG. 7