



US00D951743S

(12) **United States Design Patent**  
**Quesada Barbero**

(10) **Patent No.:** **US D951,743 S**

(45) **Date of Patent:** **\*\* May 17, 2022**

(54) **CERAMIC TILE LEVELLING DEVICE**

(71) Applicant: **GERMANS BOADA, S.A.**, Rubi (ES)

(72) Inventor: **Juan Antonio Quesada Barbero**, Rubi (ES)

(73) Assignee: **GERMANS BOADA, S.A.**, Rubi (ES)

(\*\*) Term: **15 Years**

(21) Appl. No.: **29/767,364**

(22) Filed: **Jan. 21, 2021**

(30) **Foreign Application Priority Data**

Aug. 4, 2020 (EM) ..... 008074298-0001

(51) **LOC (13) Cl.** ..... **08-05**

(52) **U.S. Cl.**  
USPC ..... **D8/71; D8/354**

(58) **Field of Classification Search**  
USPC ..... D8/105, 307, 310, 313, 321, 354, 355,  
D8/382, 387, 71

CPC ..... E04F 19/06; E04F 21/18; E04F 21/0092;  
B28D 1/225; G01B 3/30; G09F  
2017/0066; G09F 17/00

See application file for complete search history.

(56) **References Cited**

**U.S. PATENT DOCUMENTS**

9,279,259 B1 \* 3/2016 Russo ..... E04F 21/0092  
9,322,185 B1 \* 4/2016 Russo ..... E04F 21/0092

D775,935 S \* 1/2017 Sarajian ..... D8/354  
D778,709 S \* 2/2017 Russo ..... D8/355  
D834,922 S \* 12/2018 Russo ..... D8/355  
D837,016 S \* 1/2019 Psaila ..... D8/71  
D856,105 S \* 8/2019 Dahill ..... D8/71  
D862,204 S \* 10/2019 Russo ..... D8/355  
D866,297 S \* 11/2019 Sighinolfi ..... D8/354  
10,577,813 B2 \* 3/2020 Dahill ..... E04F 21/22  
D911,821 S \* 3/2021 Troxell ..... D8/354  
11,002,025 B2 \* 5/2021 Sighinolfi ..... E04F 15/02476

\* cited by examiner

*Primary Examiner* — Keli L Hill

*Assistant Examiner* — Harold E Blackwell, II

(74) *Attorney, Agent, or Firm* — Hodgson Russ LLP

(57) **CLAIM**

The ornamental design for a ceramic tile levelling device, as shown and described.

**DESCRIPTION**

FIG. 1 is a top perspective view of a ceramic tile levelling device, showing my new design;

FIG. 2 is a bottom perspective view thereof;

FIG. 3 is front elevation view thereof;

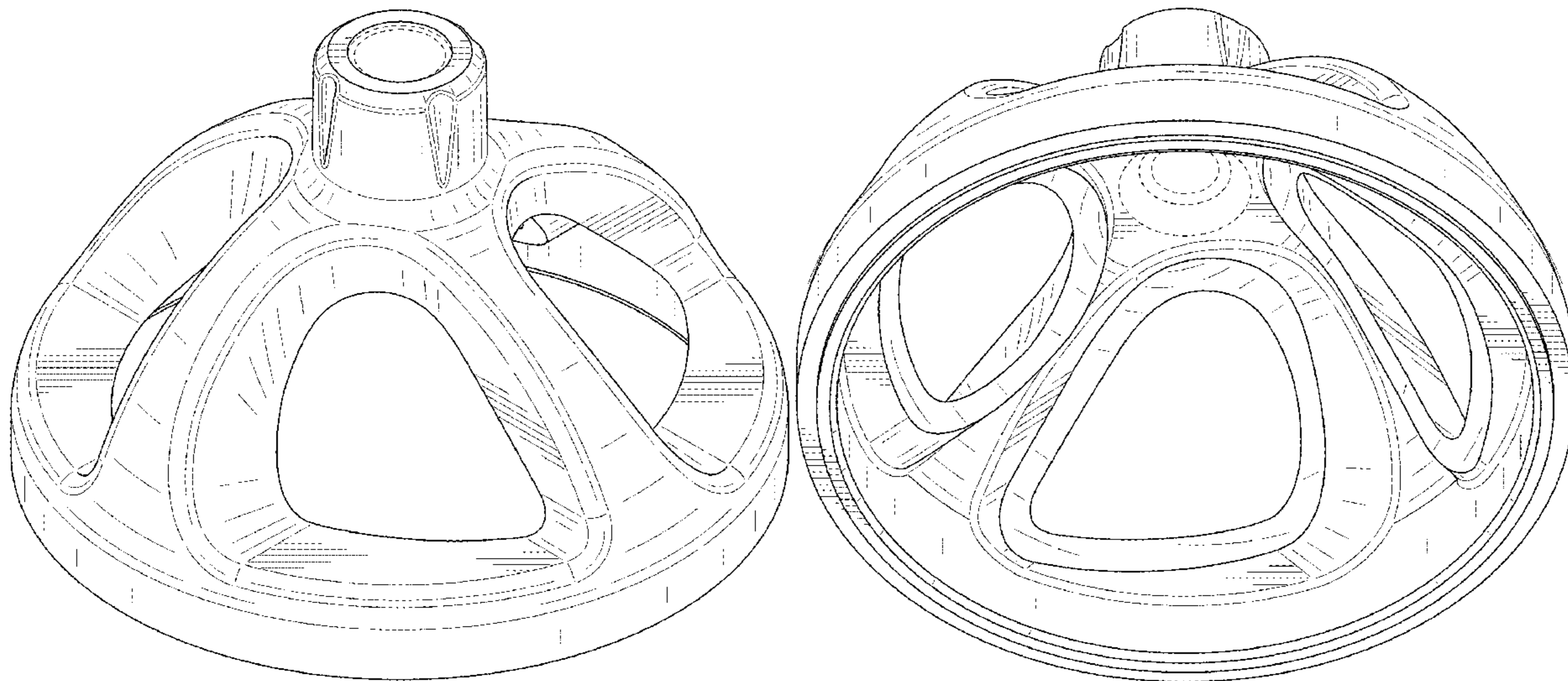
FIG. 4 is a rear elevation view thereof;

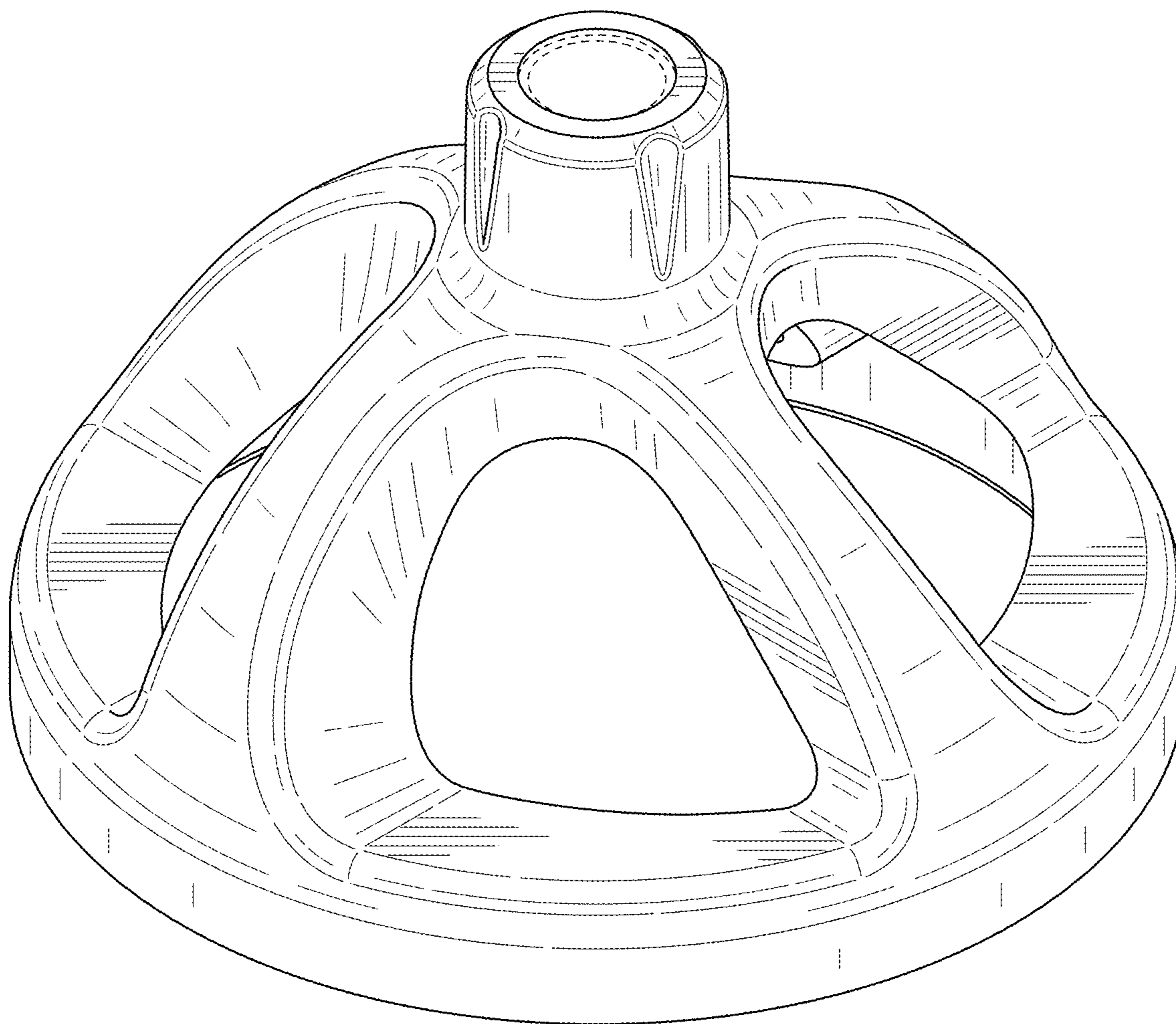
FIG. 5 is a top plan view thereof; and,

FIG. 6 is a bottom plan view thereof.

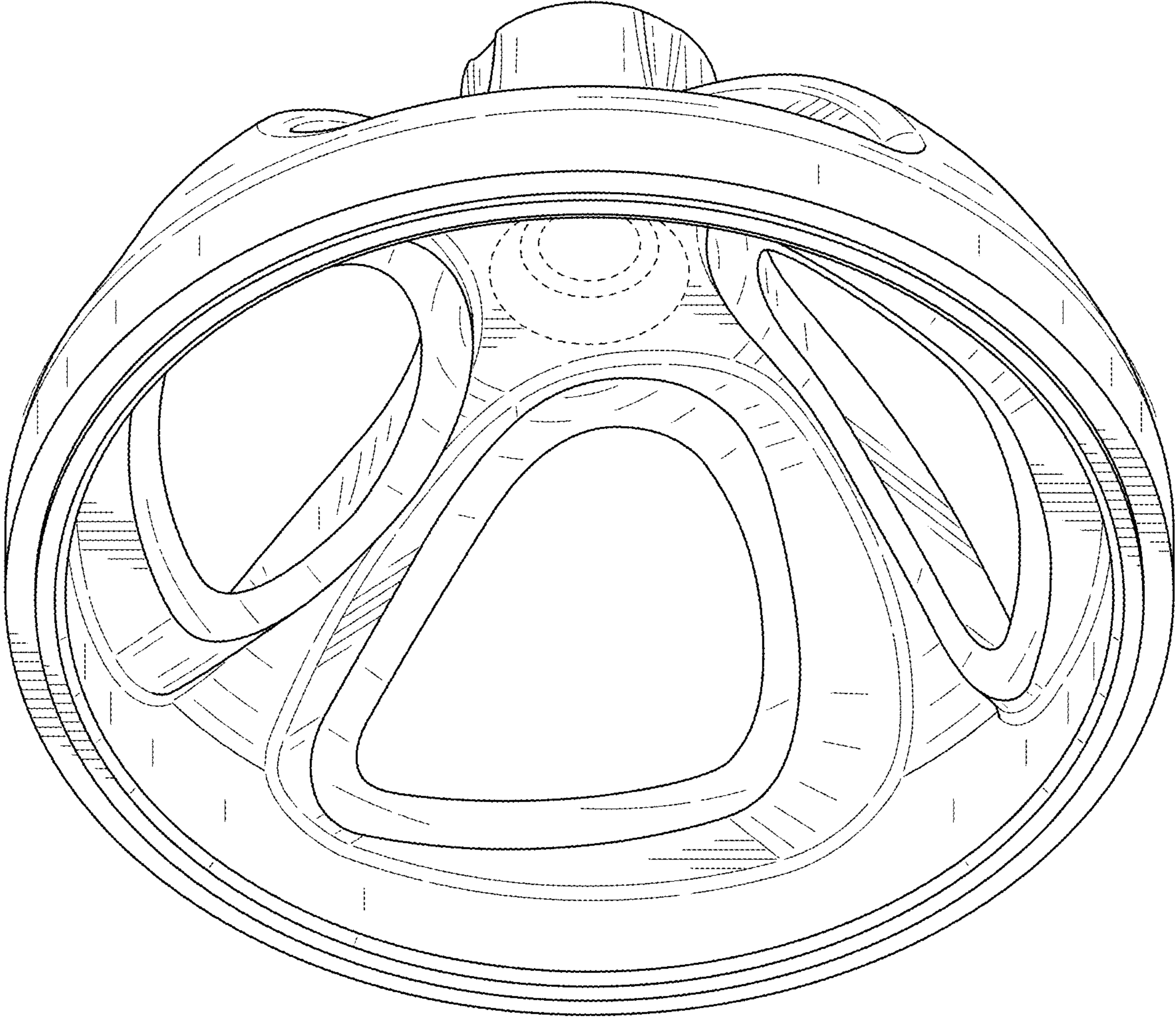
The broken lines illustrate unclaimed portions of the ceramic tile levelling device, that form no part of the claimed design.

**1 Claim, 6 Drawing Sheets**



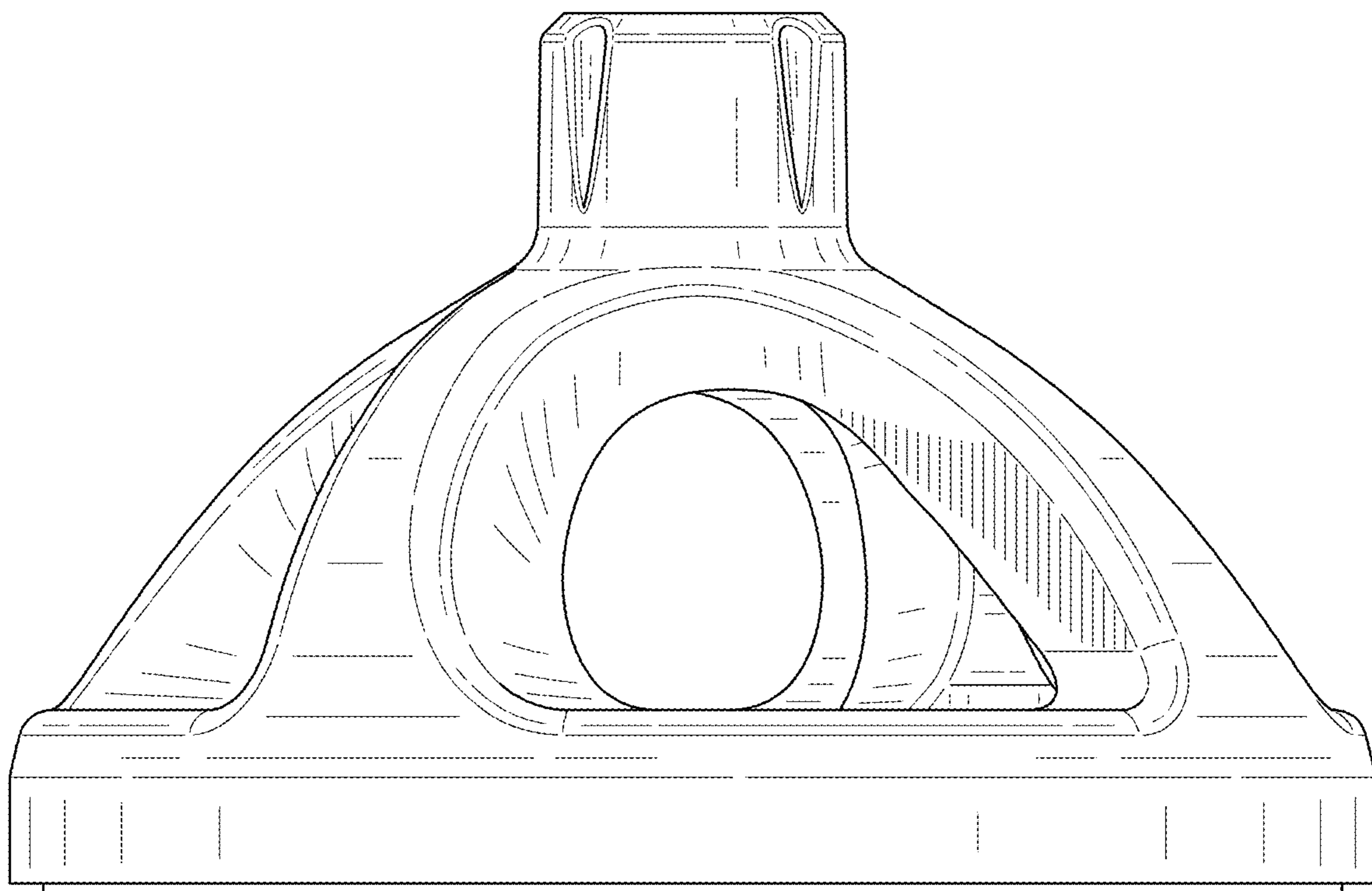


**FIG. 1**

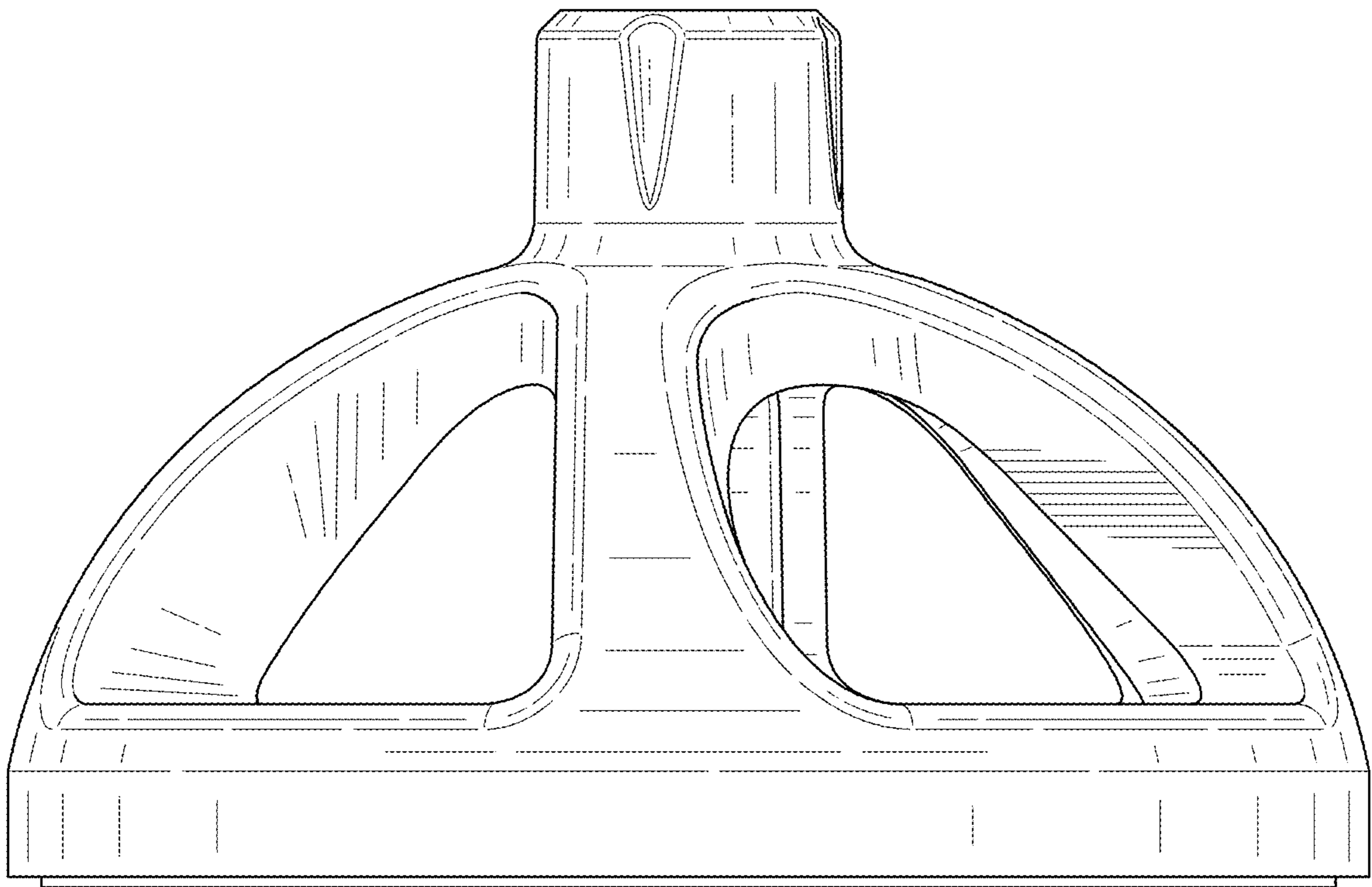


**FIG. 2**

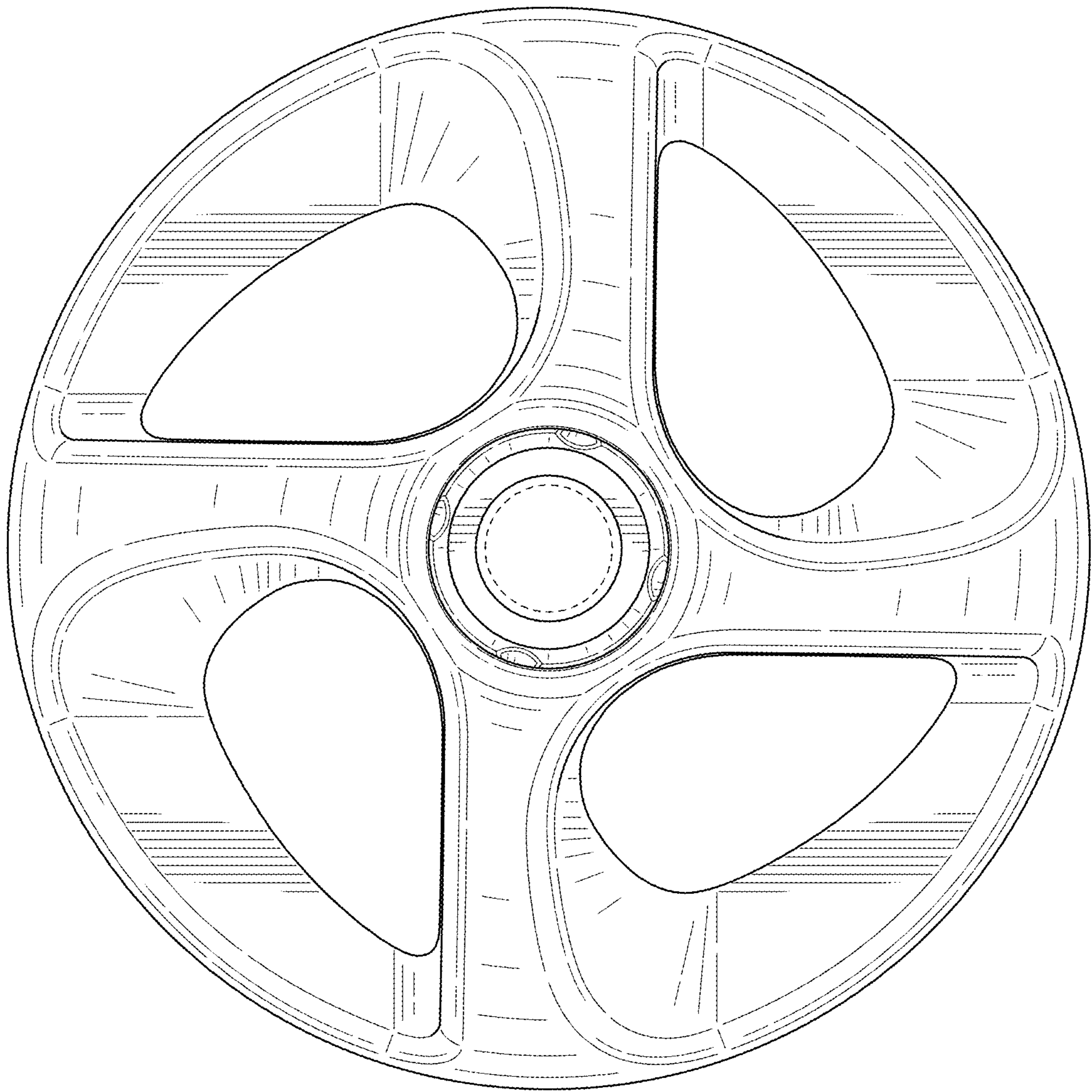




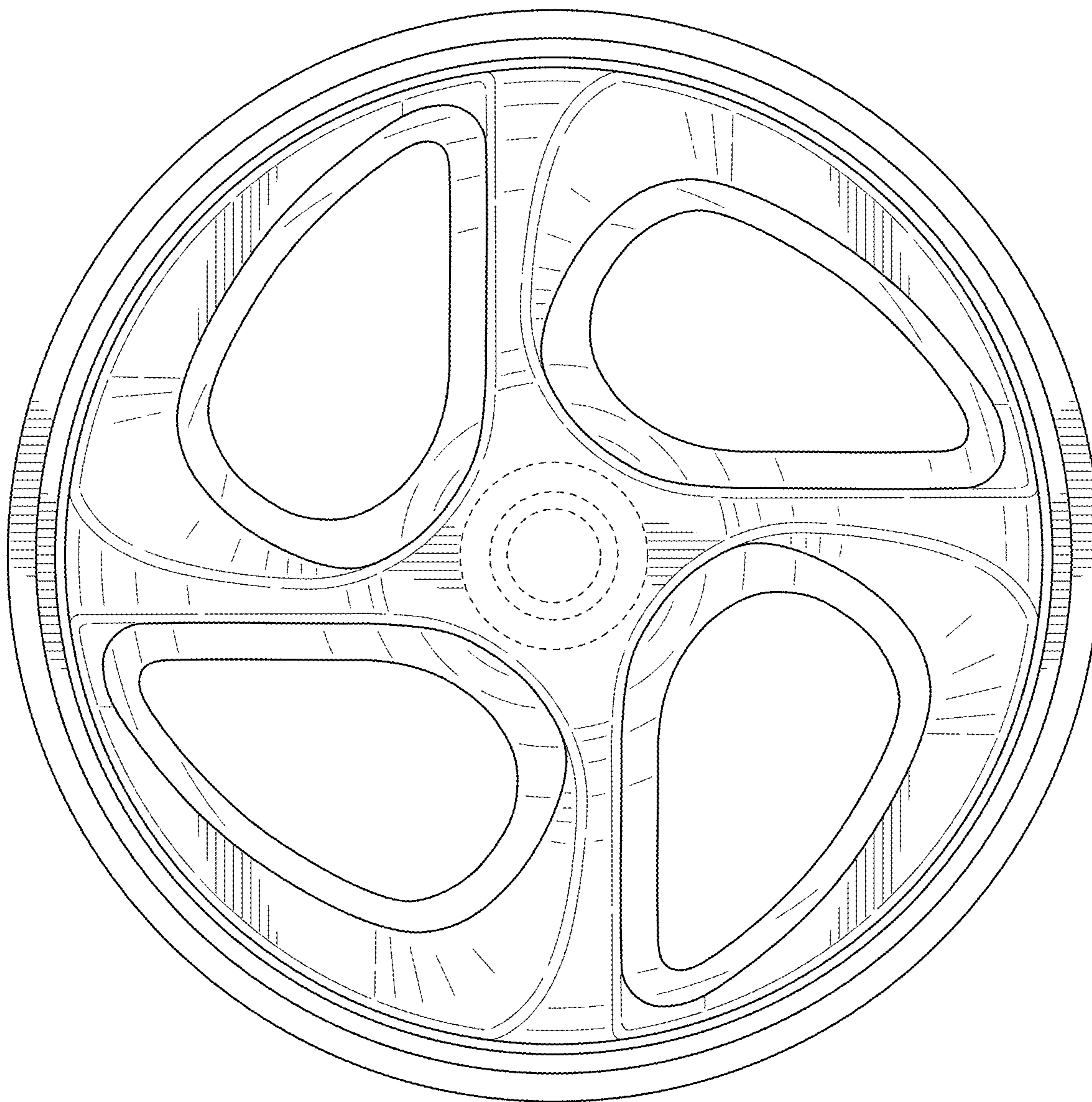
**FIG. 3**



**FIG. 4**



**FIG. 5**



**FIG. 6**