



US00D951742S

(12) **United States Design Patent**  
Su

(10) **Patent No.:** **US D951,742 S**  
(45) **Date of Patent:** **\*\* May 17, 2022**

(54) **TOOL RACK**

(71) Applicant: **Hong Ann Tool Industries Co., Ltd.,**  
Taichung (TW)

(72) Inventor: **Cheng-Wei Su,** Taichung (TW)

(73) Assignee: **Hong Ann Tool Industries Co., Ltd.,**  
Taichung (TW)

(\*\*) Term: **15 Years**

(21) Appl. No.: **29/756,390**

(22) Filed: **Oct. 28, 2020**

(51) **LOC (13) Cl.** ..... **08-05**

(52) **U.S. Cl.**  
USPC ..... **D8/71**

(58) **Field of Classification Search**  
USPC ..... D8/71; D3/315, 905, 276, 228  
CPC ..... B25H 3/04; B25H 1/10  
See application file for complete search history.

(56) **References Cited**

**U.S. PATENT DOCUMENTS**

D681,336 S *	5/2013	Zhang	.....	D3/315
D708,853 S *	7/2014	Johnson	.....	D3/315
D723,276 S *	3/2015	Johnson	.....	D3/315
9,919,415 B1 *	3/2018	Su	.....	B25H 3/003
D883,059 S *	5/2020	Hyma	.....	D8/71
D893,875 S *	8/2020	Hsieh	.....	D3/313
D896,051 S *	9/2020	Hyma	.....	D8/71

D896,052 S *	9/2020	Hyma	.....	D8/71
2011/0226713 A1 *	9/2011	Su	.....	B25H 3/003
				211/70.6
2016/0121478 A1 *	5/2016	Schein	.....	B25H 3/06
				206/350

\* cited by examiner

*Primary Examiner* — Keli L Hill

*Assistant Examiner* — Harold E Blackwell, II

(74) *Attorney, Agent, or Firm* — Karin L. Williams; Alan D. Kamrath; Mayer & Williams PC

(57) **CLAIM**

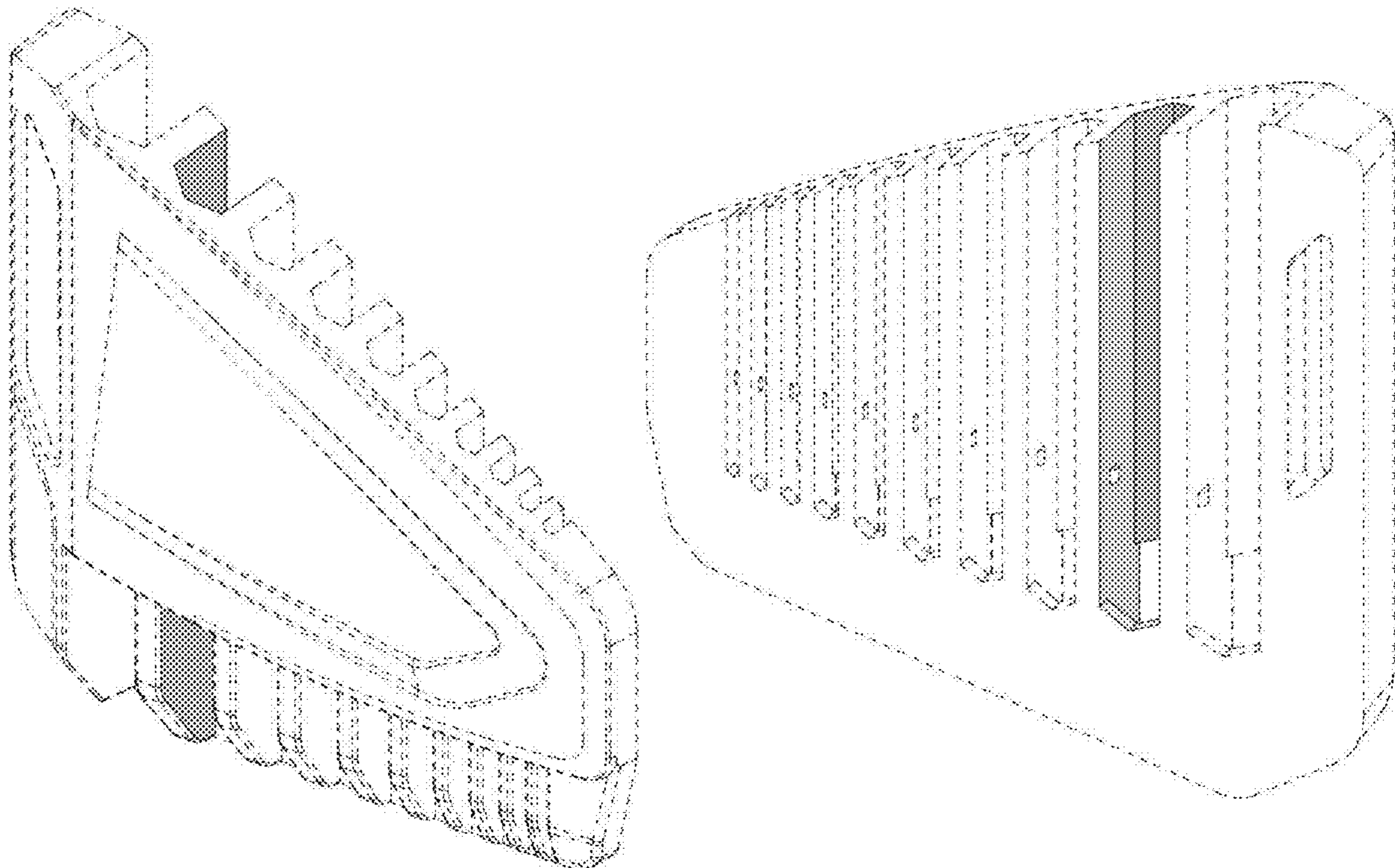
The ornamental design for a tool rack, as shown and described.

**DESCRIPTION**

FIG. 1 is a perspective view of a tool rack showing my new design;  
FIG. 2 is another perspective view of the claimed design;  
FIG. 3 is a front view thereof;  
FIG. 4 is a rear view thereof;  
FIG. 5 is a left view thereof;  
FIG. 6 is a right view thereof;  
FIG. 7 is a top view thereof; and,  
FIG. 8 is a bottom view thereof.

The broken lines in the figures illustrate portions of the tool rack which form no part of the claimed design.  
The shaded surfaces and the solid lines represent the claimed portions of the design.

**1 Claim, 8 Drawing Sheets**



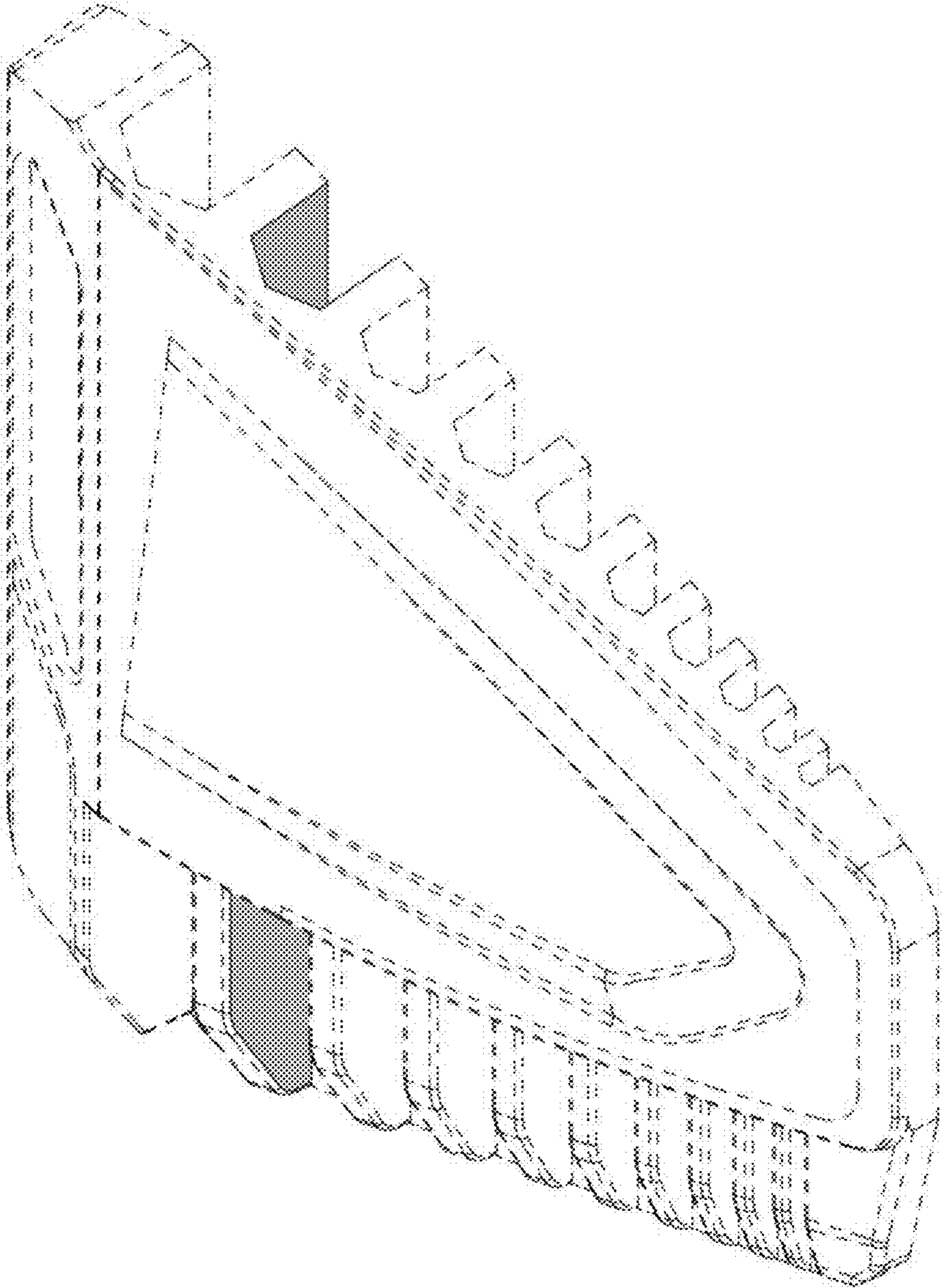


FIG. 1



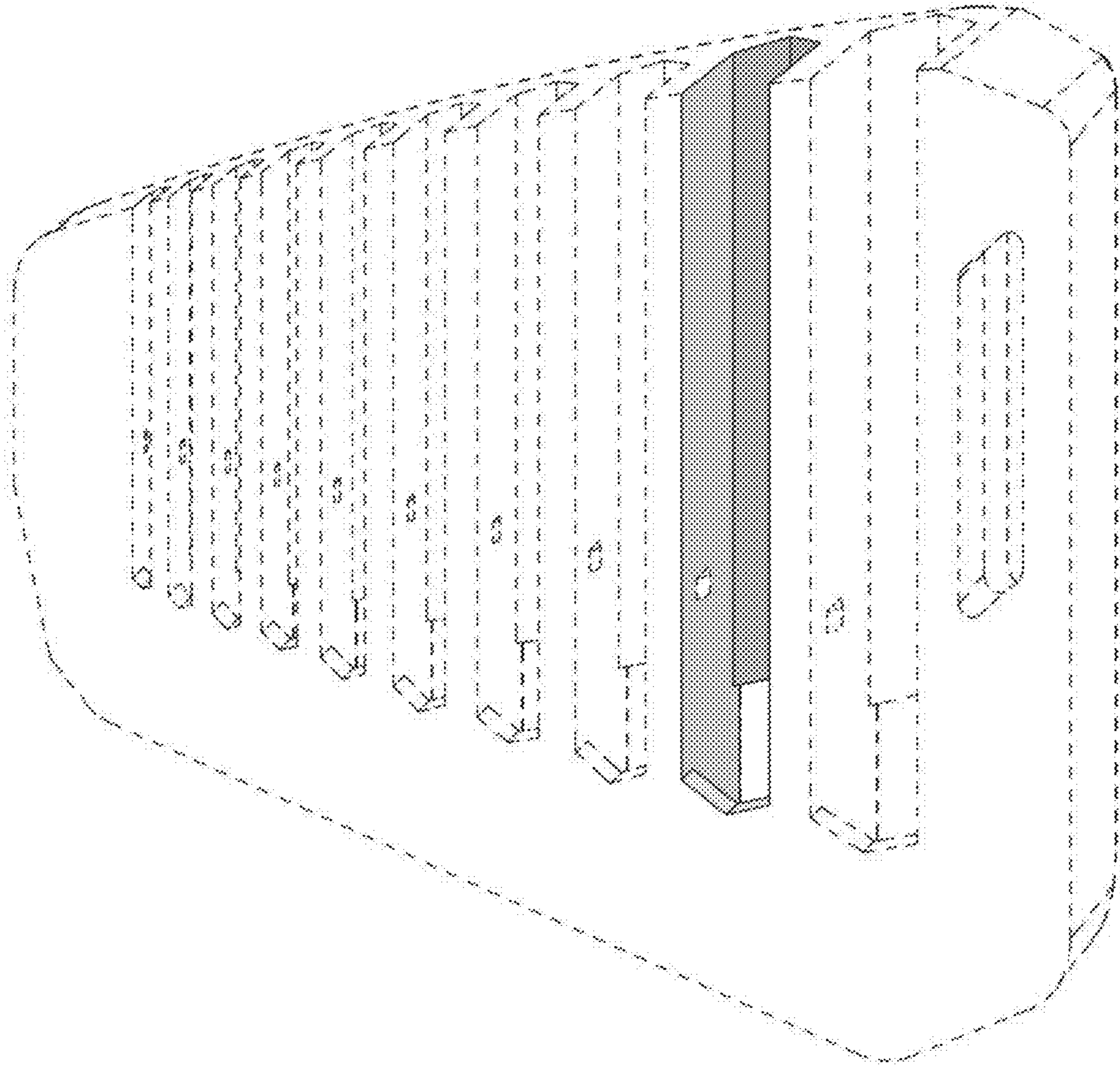


FIG. 2

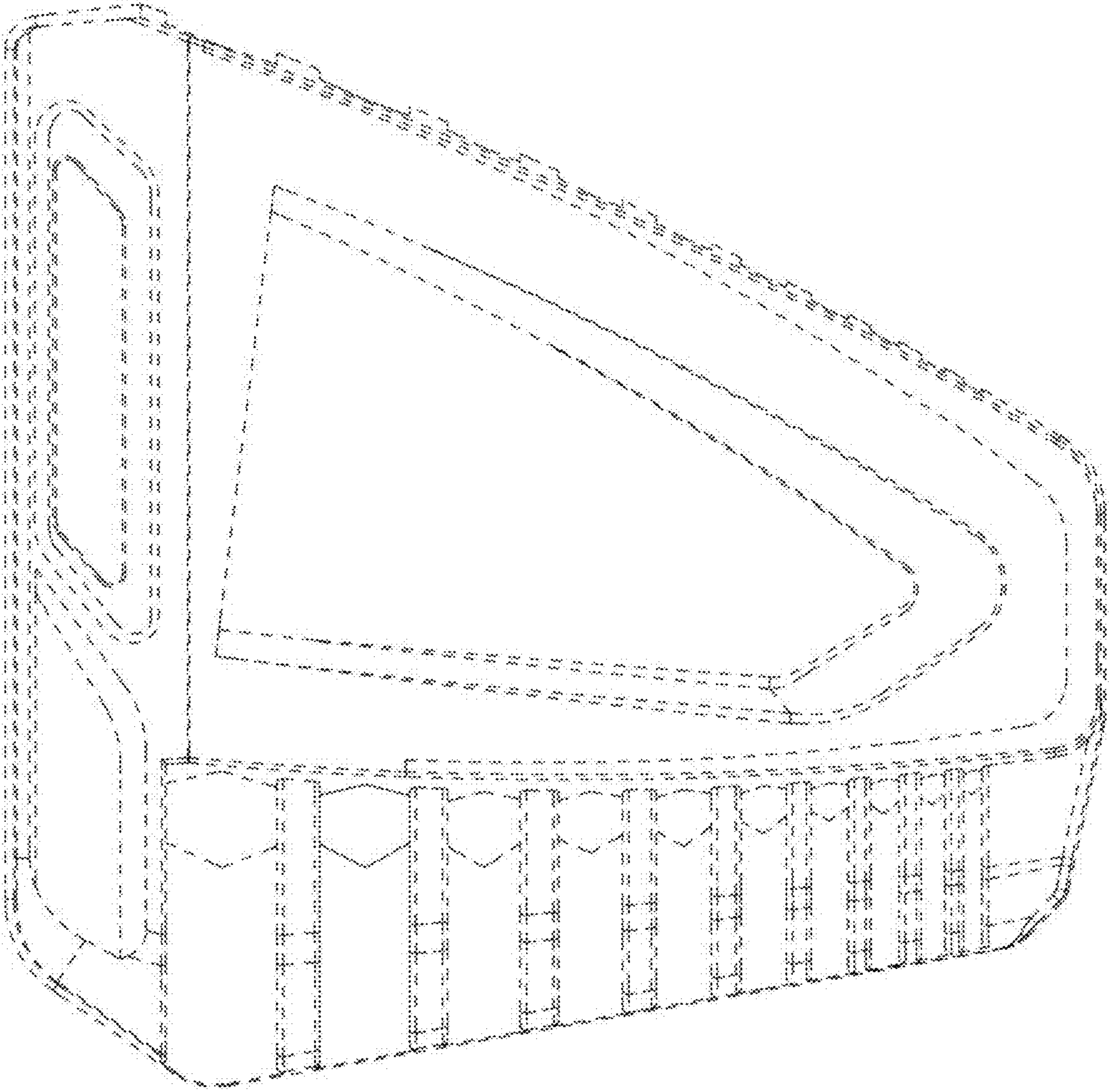


FIG. 3

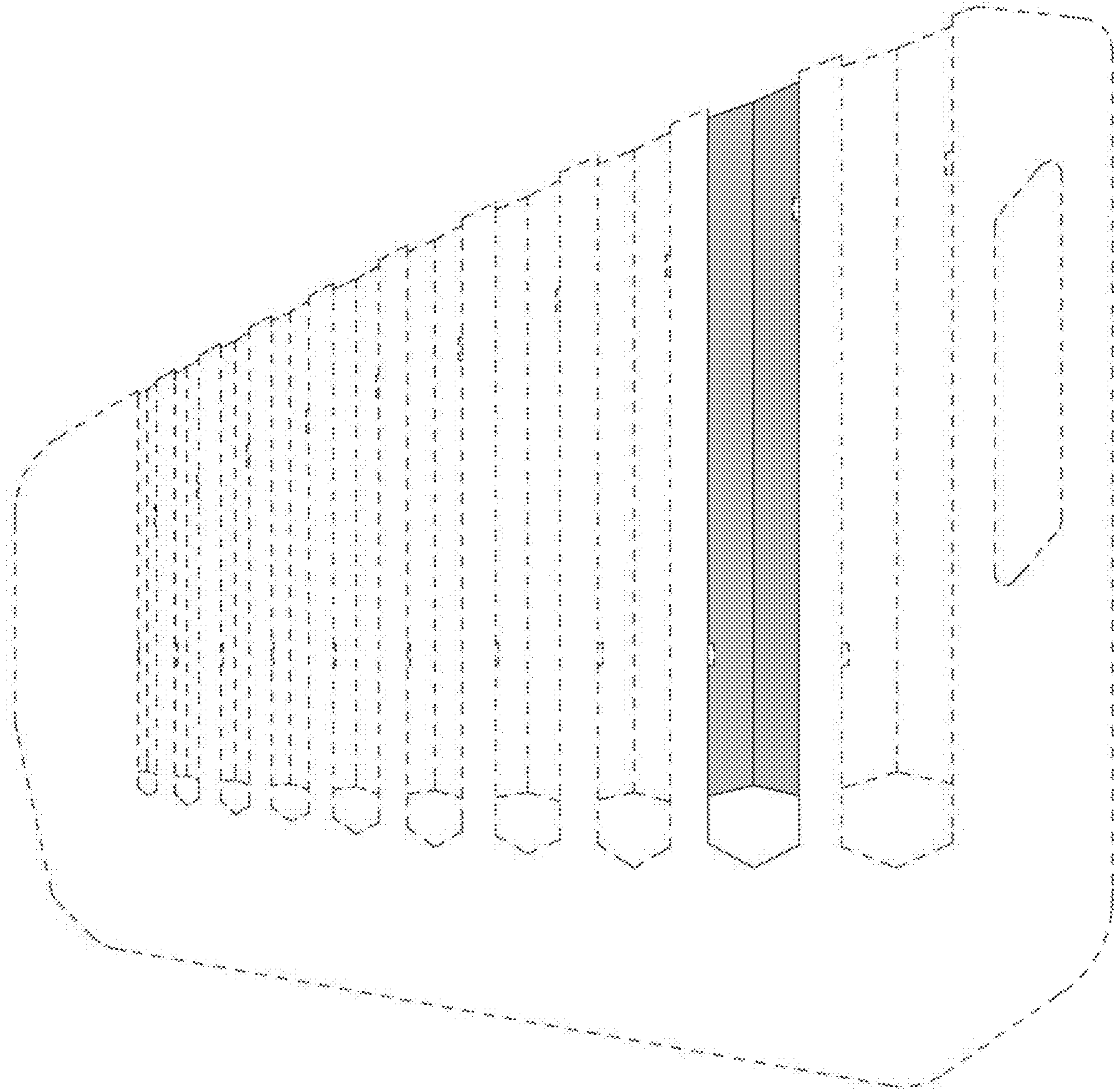


FIG. 4

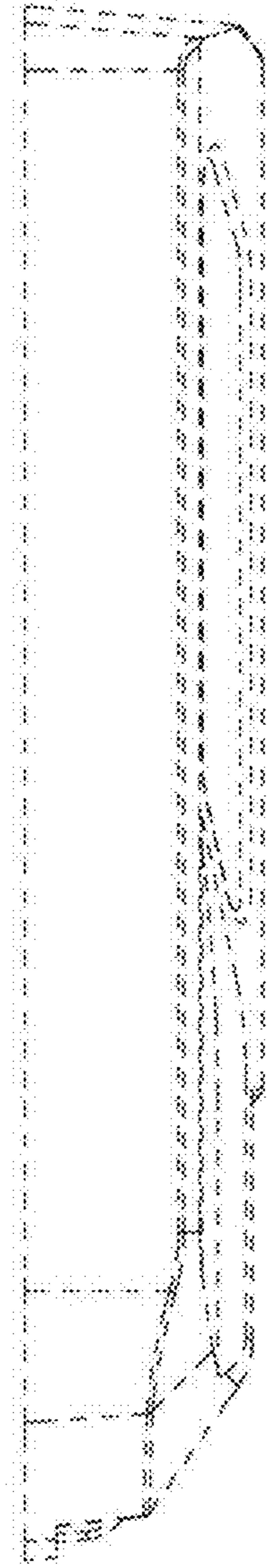


FIG. 5



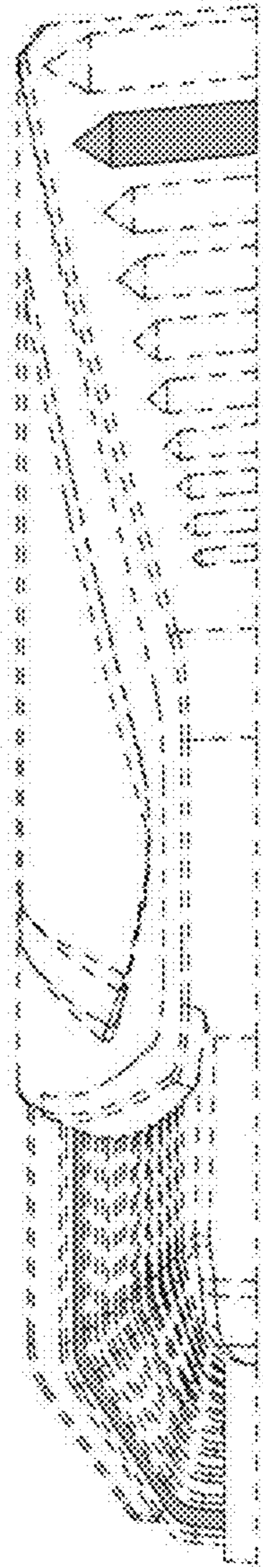


FIG. 6

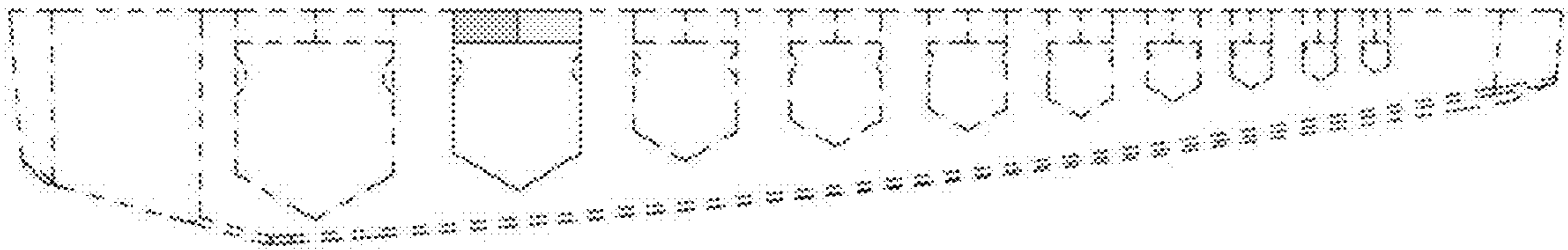


FIG. 7



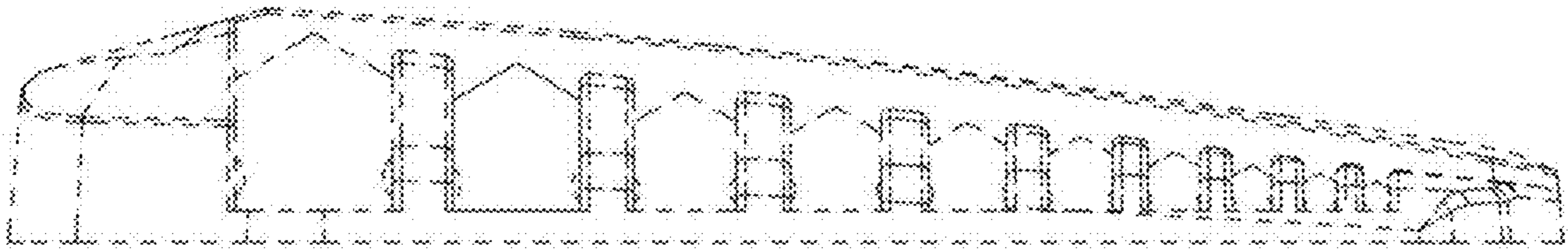


FIG. 8