



US00D951741S

(12) **United States Design Patent** (10) **Patent No.:** **US D951,741 S**
Hale et al. (45) **Date of Patent:** **** May 17, 2022**

(54) **SCREW DRIVING TOOL**

FOREIGN PATENT DOCUMENTS

(71) Applicant: **SIMPSON STRONG-TIE COMPANY INC.**, Pleasanton, CA (US)

CN 204736158 U 11/2015
DE 102008036680 A1 2/2010

(Continued)

(72) Inventors: **Troy Hale**, Goodlettsville, TN (US);
Adam Tillinghast, Nashville, TN (US)

OTHER PUBLICATIONS

(73) Assignee: **SIMPSON STRONG-TIE COMPANY INC.**, Pleasanton, CA (US)

U.S. Appl. No. 63/091,071, dated Oct. 2020, Hale.

(Continued)

(**) Term: **15 Years**

Primary Examiner — Austin Murphy

Assistant Examiner — Darlington Ly

(21) Appl. No.: **29/754,824**

(74) *Attorney, Agent, or Firm* — Buchalter; Cecily Anne O'Regan

(22) Filed: **Oct. 14, 2020**

(51) **LOC (13) Cl.** **08-03**

(52) **U.S. Cl.**
USPC **D8/70**

(57) **CLAIM**

The ornamental design for a screw driving tool, as shown and described.

(58) **Field of Classification Search**
USPC D8/49, 61-70; 81/54, 57.42, 57.11;
227/8, 66, 130
CPC B25B 23/045; B25B 23/06
See application file for complete search history.

DESCRIPTION

(56) **References Cited**

U.S. PATENT DOCUMENTS

3,910,324	A	10/1975	Nasiatka
4,998,452	A	3/1991	Blum
5,144,870	A	9/1992	Nick
5,231,900	A	8/1993	Deri
5,239,900	A	8/1993	Macris
5,584,221	A	12/1996	Petrantoni
6,109,144	A	8/2000	Muro
6,109,145	A	8/2000	Habermehl
6,862,963	B2	3/2005	Habermehl et al.
6,941,847	B2	9/2005	Habermehl et al.
6,945,140	B2	9/2005	Gibbons et al.
7,134,367	B2	11/2006	Gehring et al.
7,341,146	B2	3/2008	Habermehl
7,461,574	B2	12/2008	Lewis et al.

(Continued)

FIG. 1 is a first perspective view of the screw driving tool; FIG. 2 is a second perspective view of the screw driving tool;

FIG. 3 is a front view of the screw driving tool;

FIG. 4 is a rear view of the screw driving tool;

FIG. 5 is a first side view of the screw driving tool;

FIG. 6 is a second side view of the screw driving tool;

FIG. 7 is a top view of the screw driving tool;

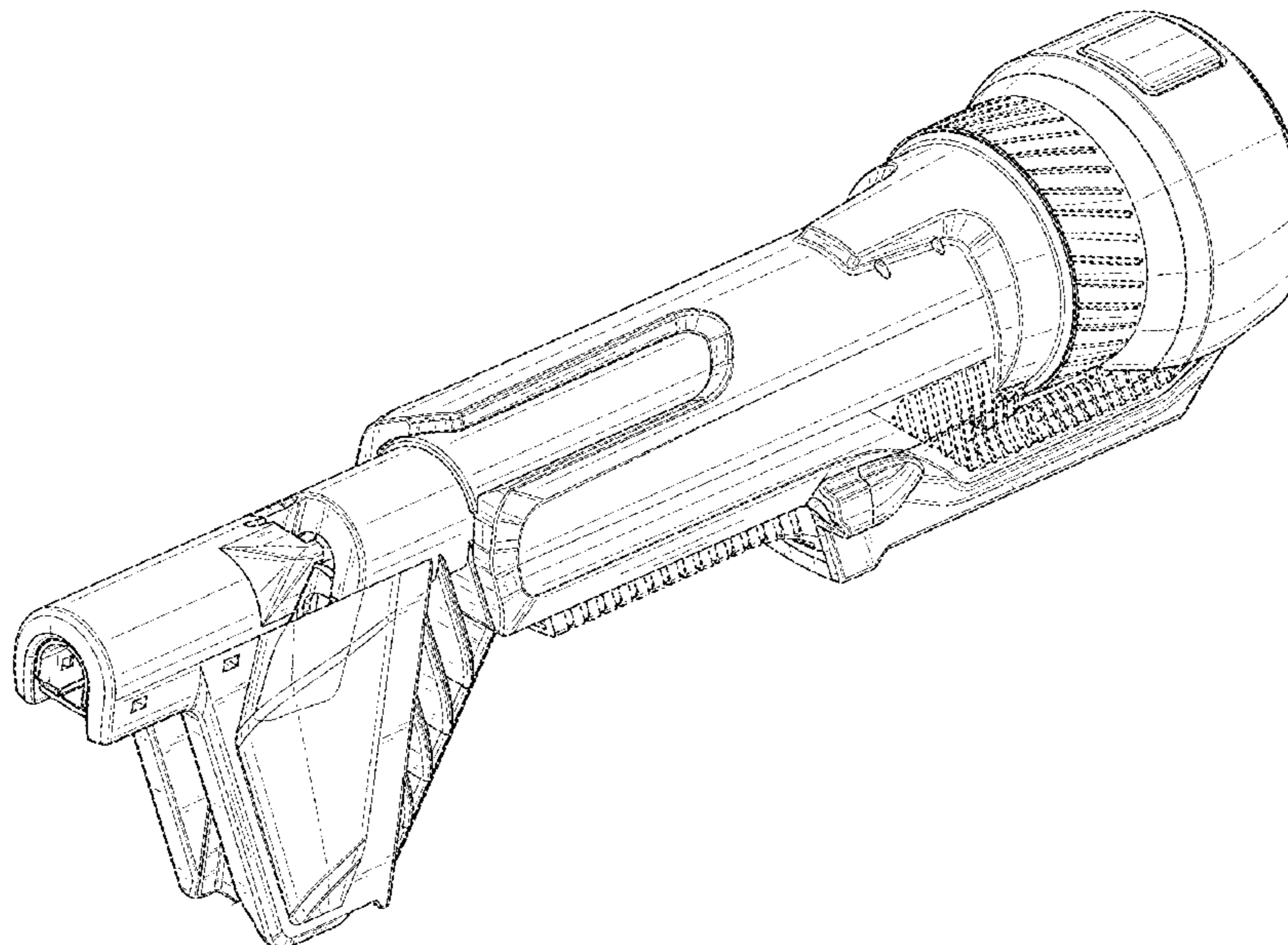
FIG. 8 is a bottom view of the screw driving tool; and,

FIG. 9 is a bottom view perspective view.

The drawings include surface shading which illustrates contour and not surface ornamentation.

The broken lines in the above-described figures are for illustrative purposes only and form no part of the claimed design.

1 Claim, 9 Drawing Sheets



(56)

References Cited

OTHER PUBLICATIONS

U.S. PATENT DOCUMENTS

D692,741	S	*	11/2013	McRoberts	D8/70
D694,605	S	*	12/2013	Reth	D8/70
D743,229	S	*	11/2015	Koeniger	D8/70
D764,248	S	*	8/2016	Eisinger	D8/70
D774,868	S	*	12/2016	Ouyang	D8/86
D775,448	S	*	12/2016	Fretz	D34/33
9,701,032	B2		7/2017	Moss et al.		
D823,089	S	*	7/2018	Shikama	D8/70
D850,229	S	*	6/2019	Goodman	D8/70
10,675,741	B2		6/2020	Chiang		
10,751,859	B2		8/2020	Helmick et al.		
D924,031	S	*	7/2021	Huang	D8/70
D935,295	S	*	11/2021	Bacon	D8/70
2002/0108995	A1		8/2002	Hempfling et al.		
2007/0079672	A1		4/2007	Bone et al.		
2014/0260831	A1*		9/2014	Hays	B25B 21/00 81/434
2016/0000449	A1		1/2016	Aman et al.		
2016/0271781	A1		9/2016	Kobayashi et al.		
2019/0071880	A1		3/2019	Demuth et al.		
2019/0351535	A1		11/2019	Hays et al.		
2020/0147765	A1		5/2020	Irwin et al.		

FOREIGN PATENT DOCUMENTS

EP	2995386	A1	3/2016
EP	2586569	B1	12/2018
EP	3603888	A1	2/2020
WO	2020103988	A1	5/2020

Camo Drive Tool available from <https://www.camofasteners.com/products/drive/camo-drive/>.

DeWalt Collated Screw Gun Attachment available from <https://www.homedepot.com/p/DEWALT-Collated-Screw-Gun-Attachment-DCF6201/206468794>.

Dewalt Shear Attachment available from <https://www.dewalt.com/products/power-tools/polishers-shears-and-nibblers/18ga-shear-attachment/dwashrir>.

Drywall Screwgun Corded Magazine Attachment Autofeed Screwdrive available at https://www.alibaba.com/product-detail/Drywall-Screwgun-Corded-Collated-Magazine-Attachment_60586522232.html.

Hilti, Interior Finishing Trade Catalog (2017) available from <https://www.hilti.dz/content/dam/documents/dz-document-nouha/IF.pdf>.

PAM P13KUE Decking & Subfloor Autofeed Screw Gun available from <https://www.tools4flooring.com/pam-p13kue-decking-subfloor-autofeed-screw-gun-system.html>.

QuikDrive PRODW Drywall System available from <https://lbmjournal.com/quik-drive-prodw-drywall-system/>.

Squids Power Tool Trap Product Spec Sheet available from <https://www.ergodyne.com/squids-3780-power-tool-trap.html>.

* cited by examiner

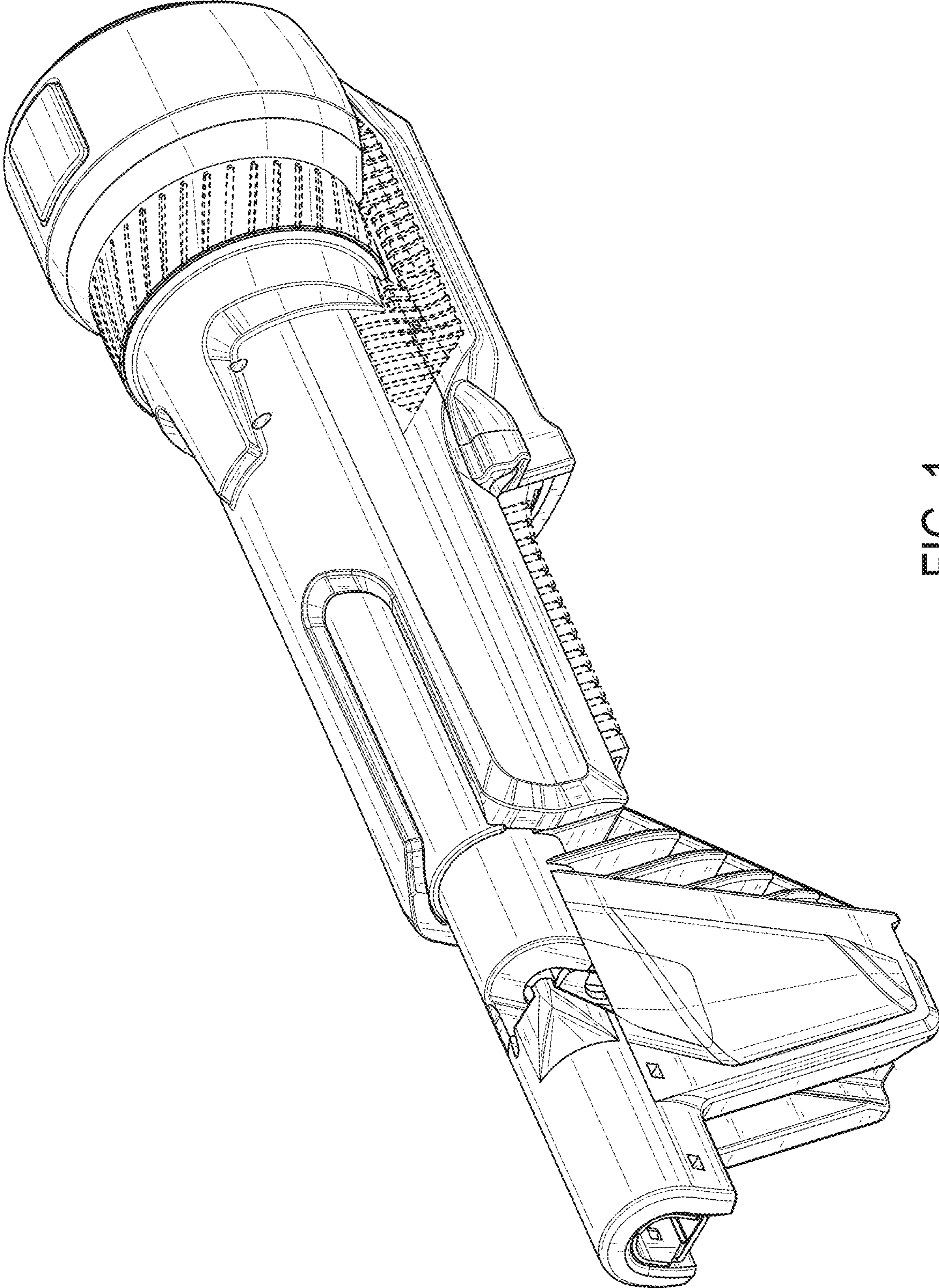


FIG. 1

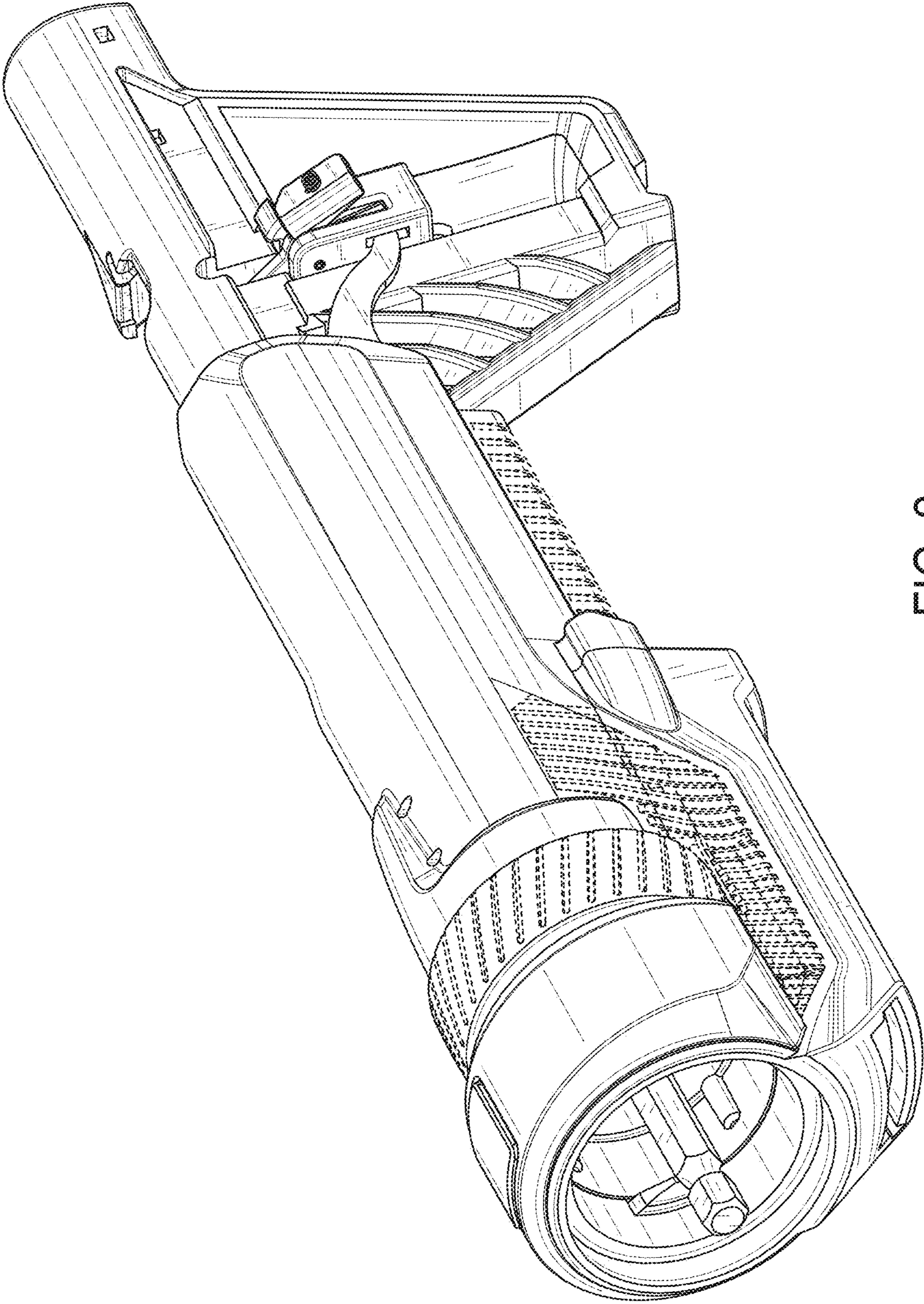


FIG. 2

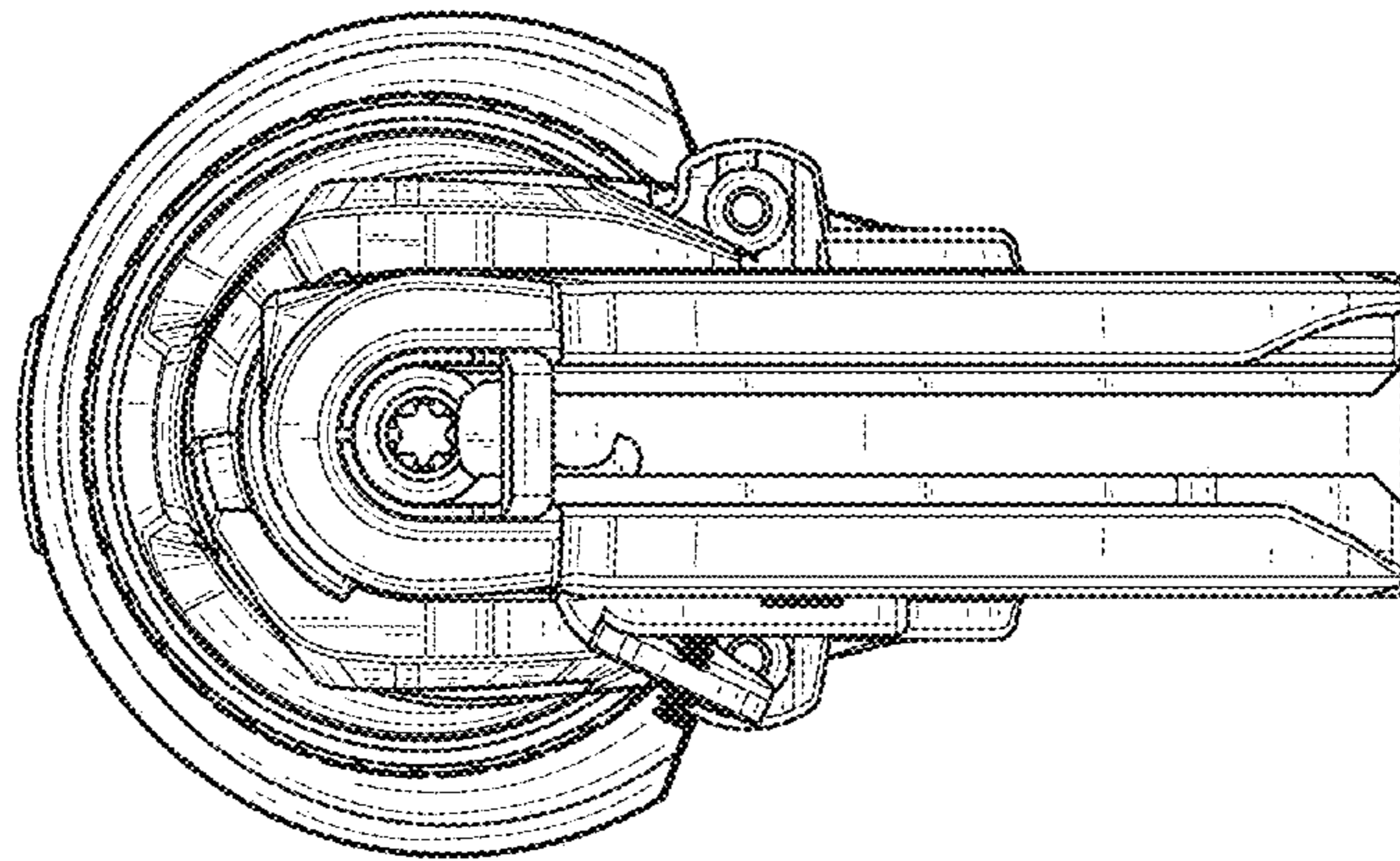


FIG. 3

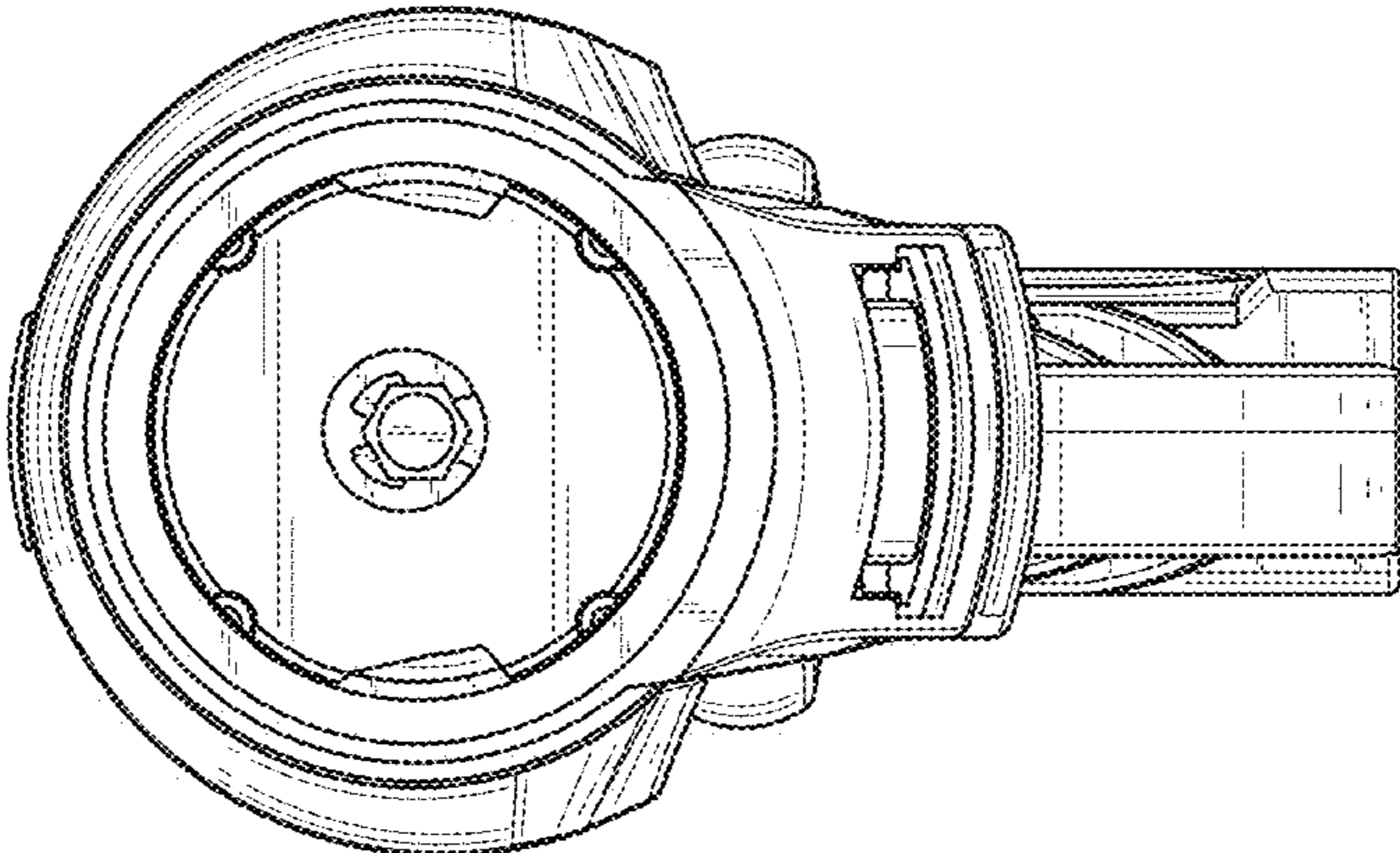


FIG. 4

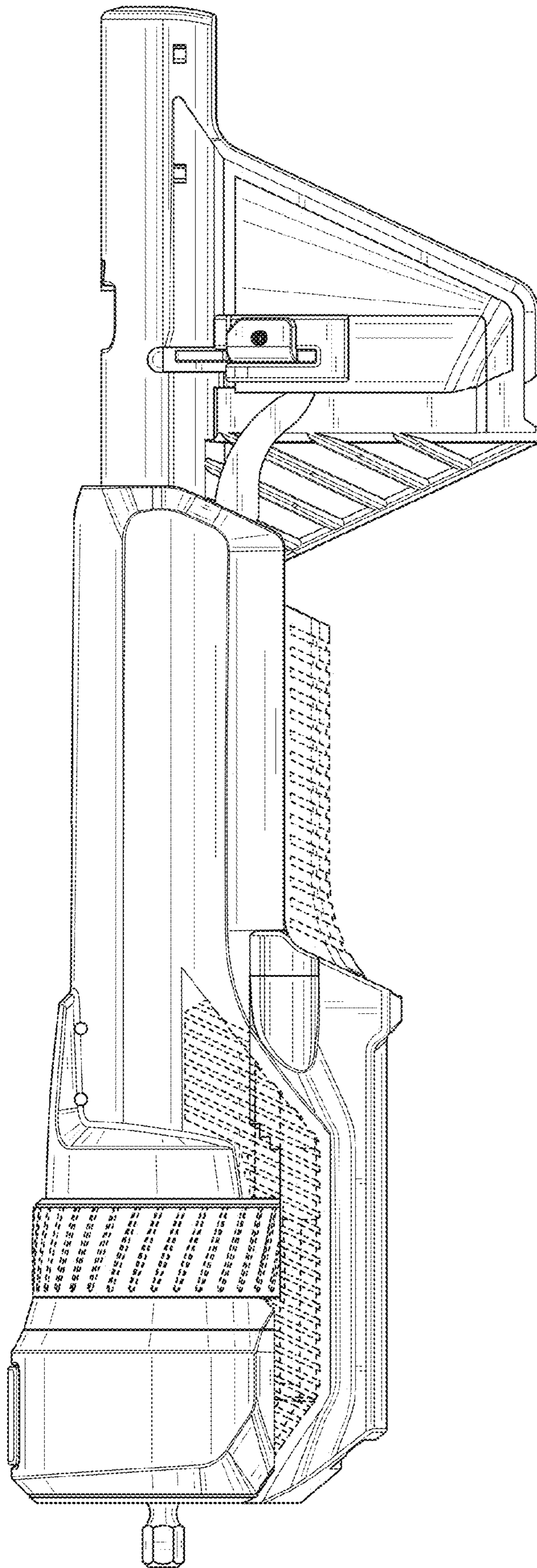


FIG. 5

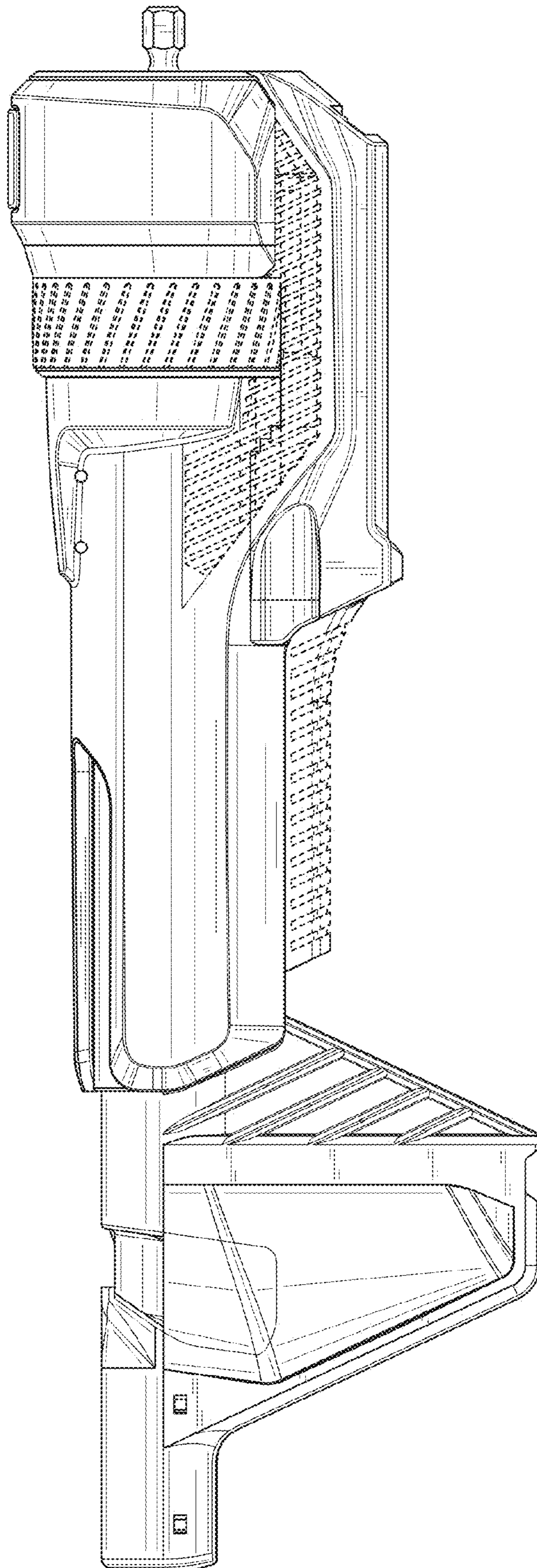


FIG. 6

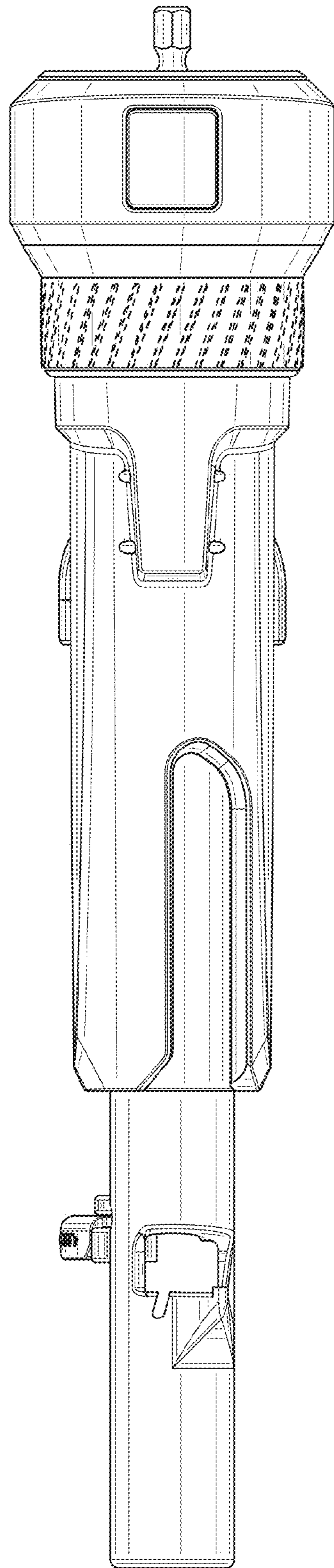


FIG. 7

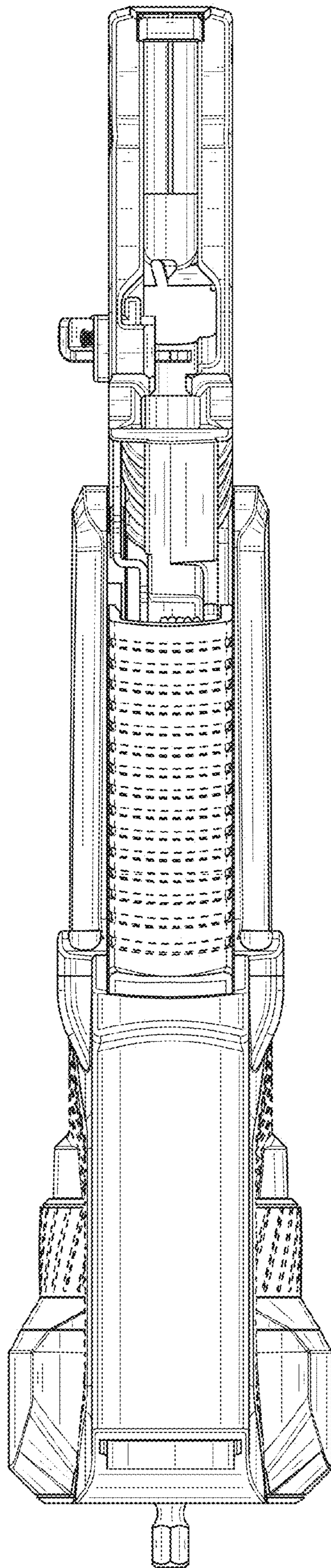


FIG. 8

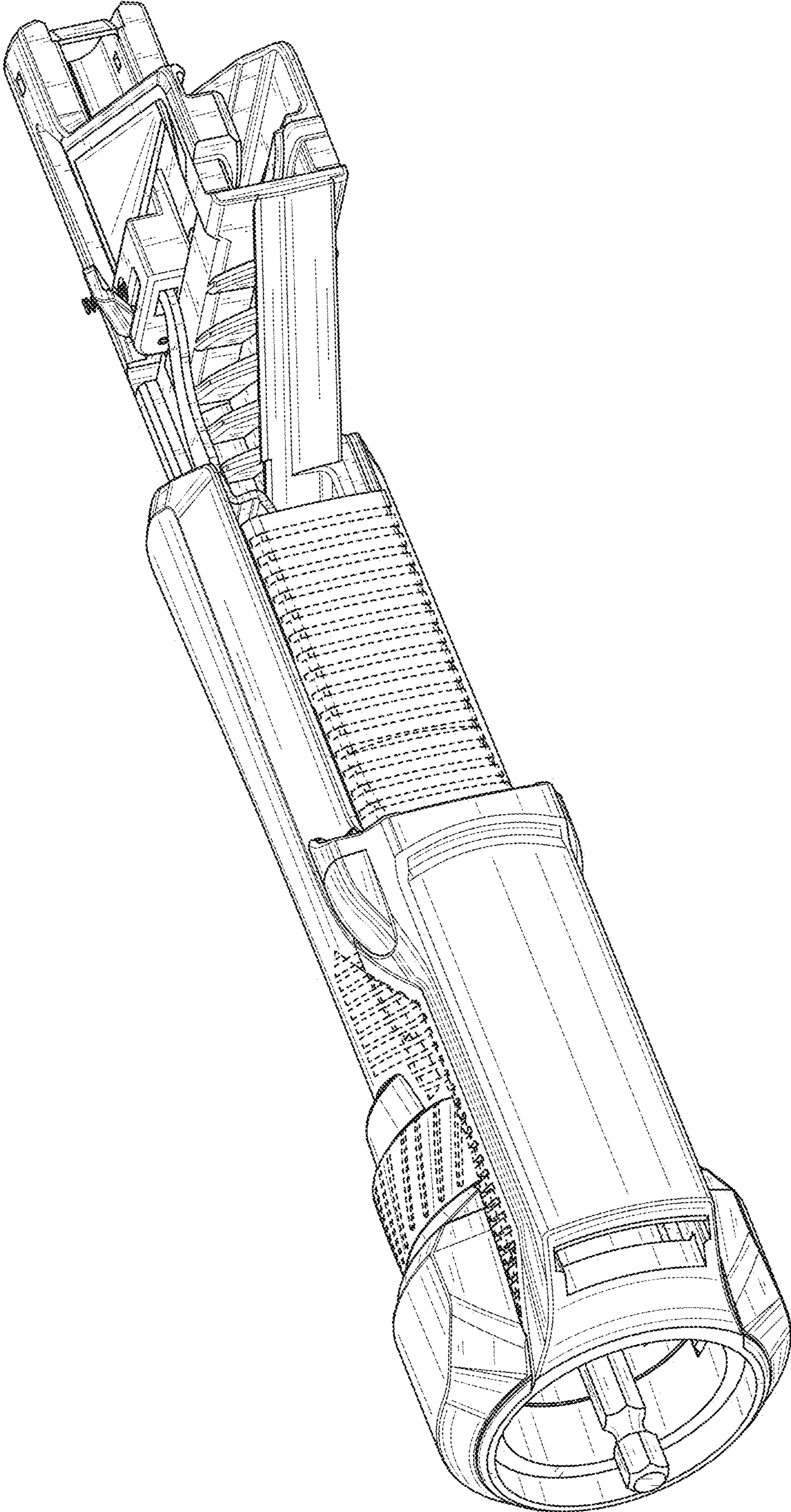


FIG. 9