



US00D951738S

(12) **United States Design Patent** (10) **Patent No.:** **US D951,738 S**
Toszegi et al. (45) **Date of Patent:** **** May 17, 2022**

(54) **PART OF A HOLDER FOR DRILLING TOOL**

(71) Applicant: **Hilti Aktiengesellschaft**, Schaan (LI)

(72) Inventors: **Alexander Toszegi**, Leutenbach (DE);
Volker Lindner, Backnang (DE);
Tobias Koeniger, Bregenz (AT)

(**) Term: **15 Years**

(21) Appl. No.: **35/510,218**

(22) Filed: **Sep. 25, 2019**

(80) **Hague Agreement Data**

Int. Filing Date: **Sep. 25, 2019**
Int. Reg. No.: **DM/209960**
Int. Reg. Date: **Sep. 25, 2019**
Int. Reg. Pub. Date: **Sep. 4, 2020**

(30) **Foreign Application Priority Data**

Mar. 28, 2019 (LI) 2019-249

(51) **LOC (13) Cl.** **08-99**

(52) **U.S. Cl.**

USPC **D8/69**; D15/132

CPC **B23B 47/28** (2013.01)

(58) **Field of Classification Search**

USPC D8/14.1, 61-70; D15/132

CPC B25H 1/0042; B25H 1/0064; B23B 47/28;

F16M 11/18; F16M 11/046; F16M 11/38;

E21B 7/02

See application file for complete search history.

(56) **References Cited**

U.S. PATENT DOCUMENTS

3,610,349 A * 10/1971 Dempsey B23Q 11/08
175/209

D577,750 S * 9/2008 Kovach D15/132
D613,779 S * 4/2010 Baratta D15/132
D617,355 S * 6/2010 Baratta D15/132
D617,818 S * 6/2010 Baratta D15/132
D621,857 S * 8/2010 Baratta D15/132
D629,026 S * 12/2010 Baratta D15/132
D865,471 S * 11/2019 Koeniger D8/68
D877,589 S * 3/2020 Koeniger D8/69
10,821,525 B2 * 11/2020 Carlson B25H 1/0042
2002/0035890 A1 * 3/2002 Kusachi B22F 7/06
75/238
2016/0151873 A1 * 6/2016 Richt B23Q 17/2404
408/16

* cited by examiner

Primary Examiner — Richard E Chilcot

(57) **CLAIM**

The ornamental design for part of a holder for drilling tool,
as shown and described.

DESCRIPTION

1. Part of a holder for drilling tool

1.1 : Perspective

1.2 : Front

1.3 : Back

1.4 : Left

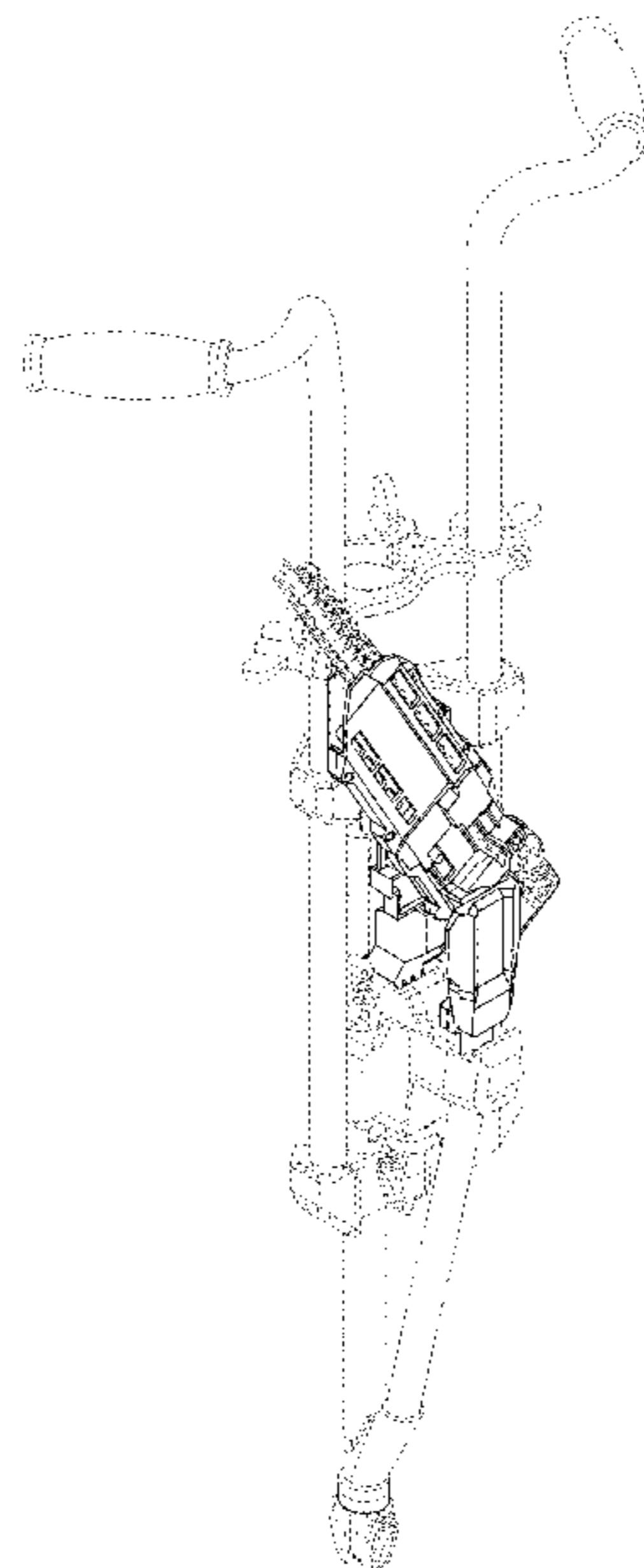
1.5 : Right

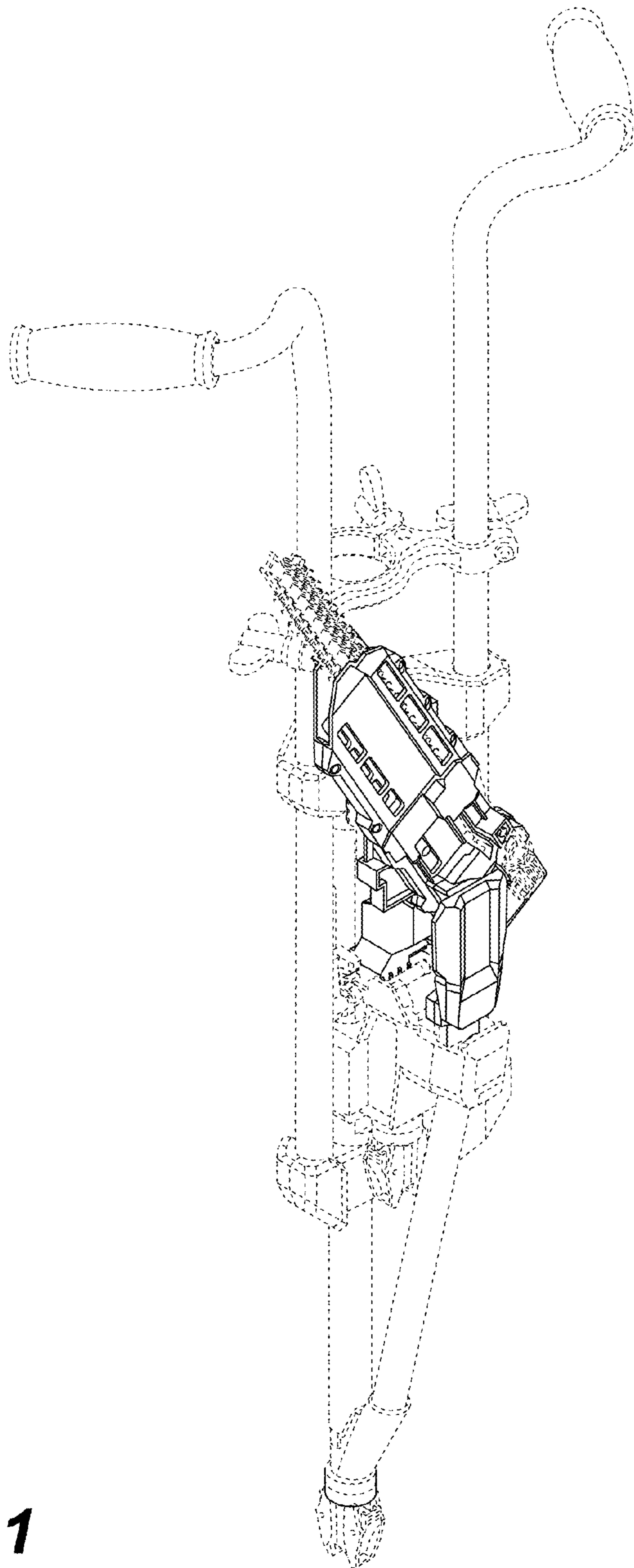
1.6 : Top

1.7 : Bottom

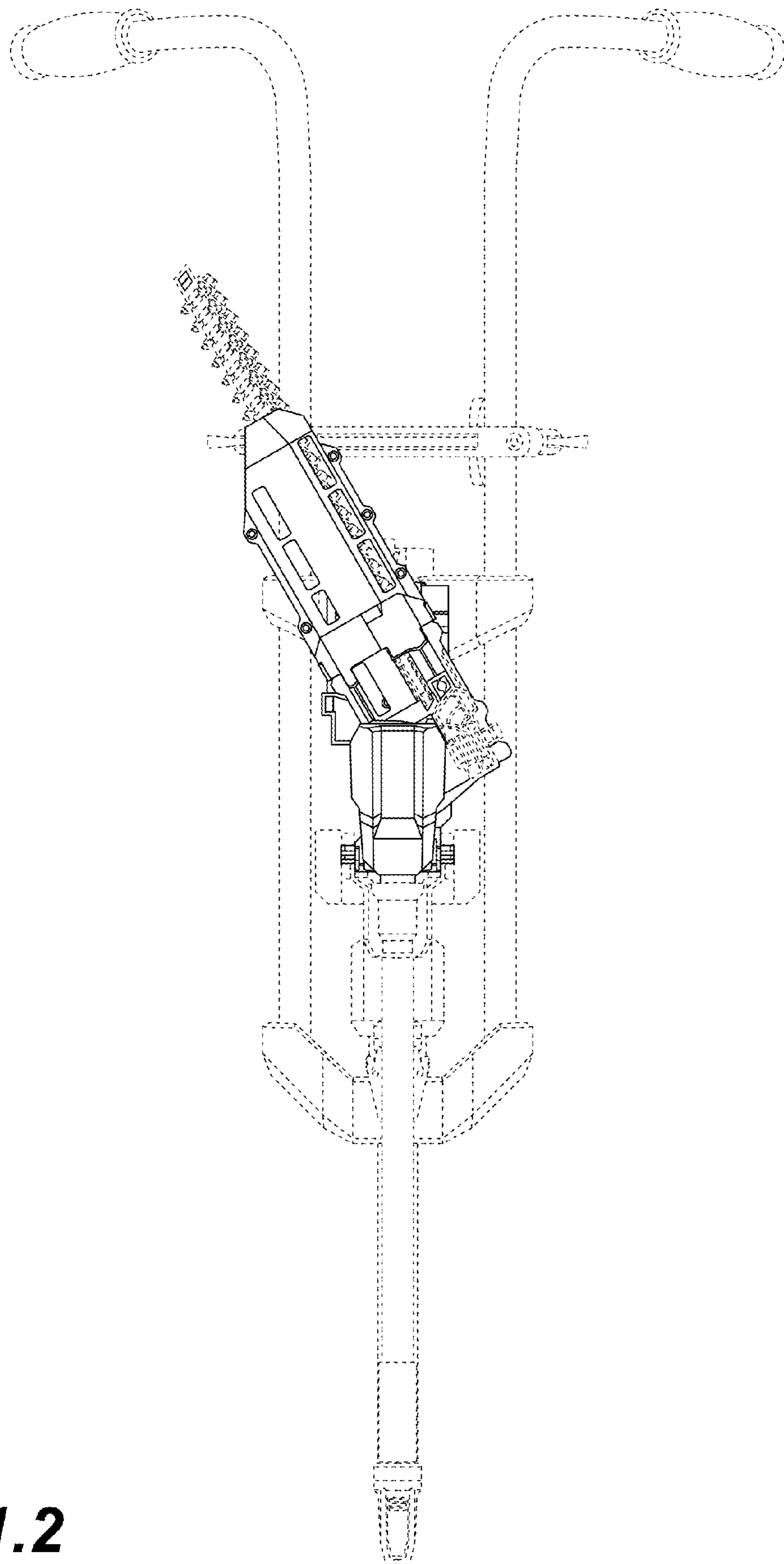
Portions shown in broken lines form no part of the claimed
design.

1 Claim, 7 Drawing Sheets

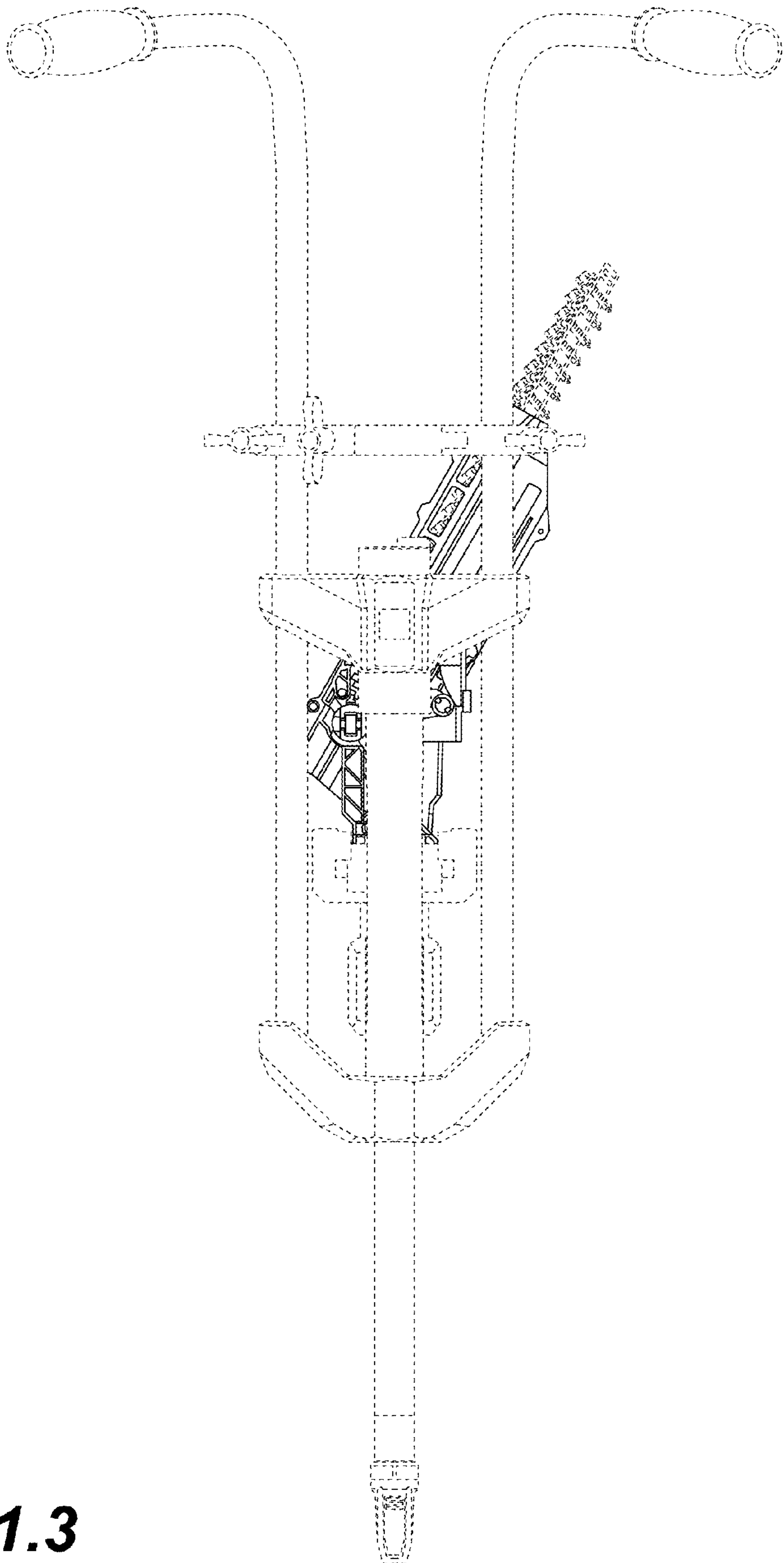




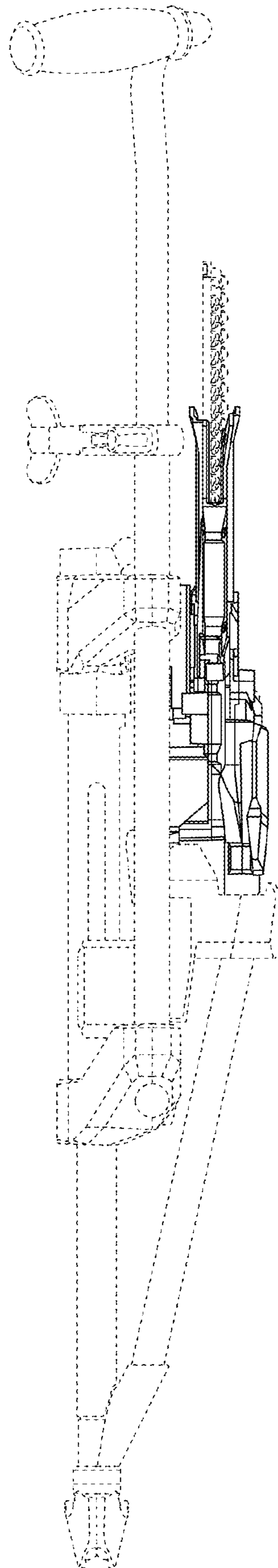
1.1



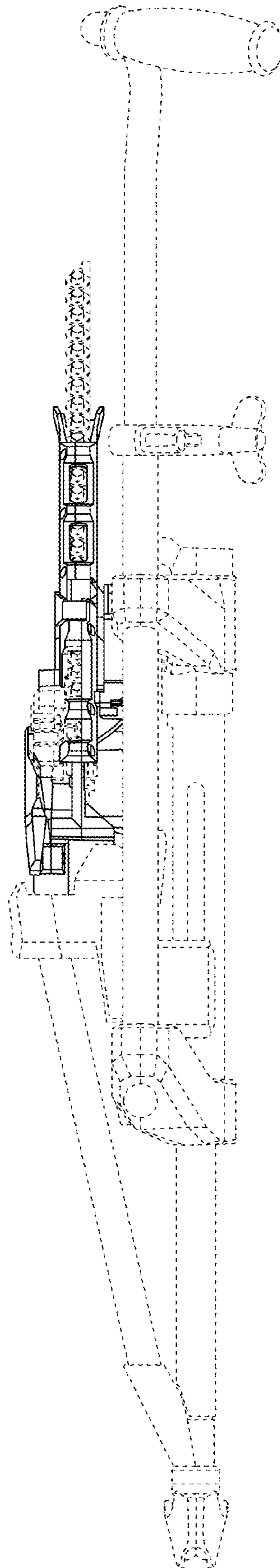
1.2



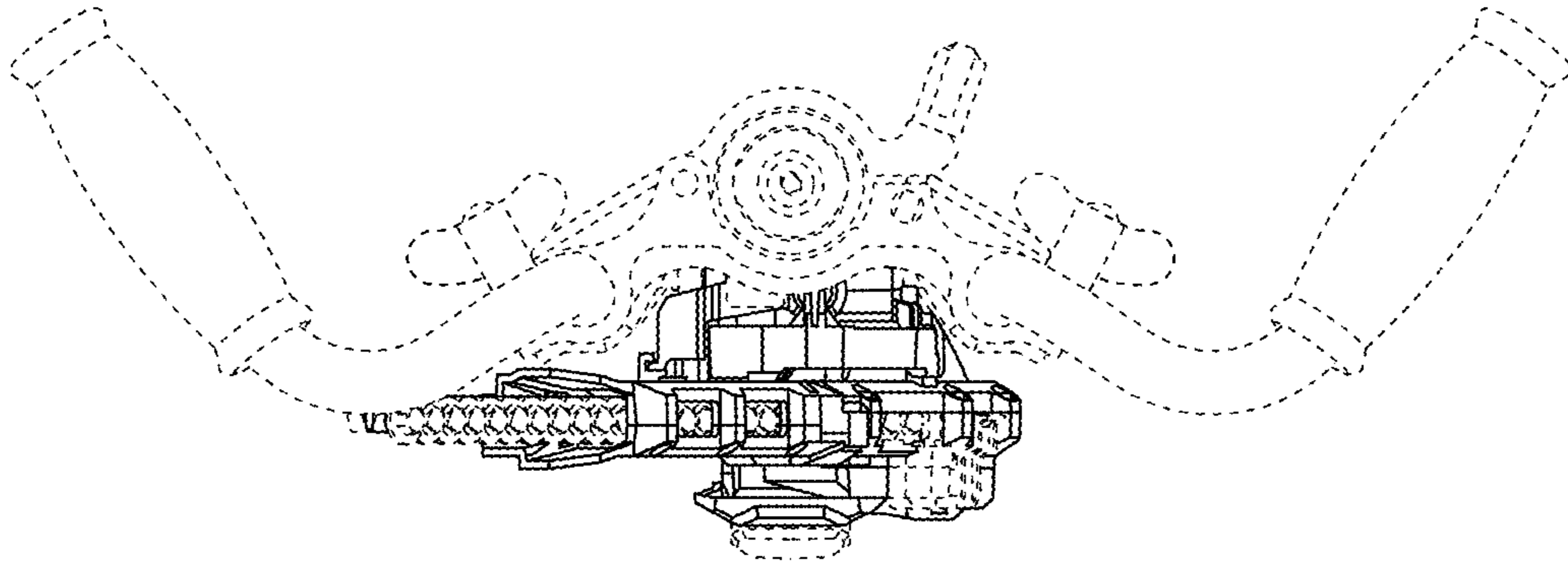
1.3



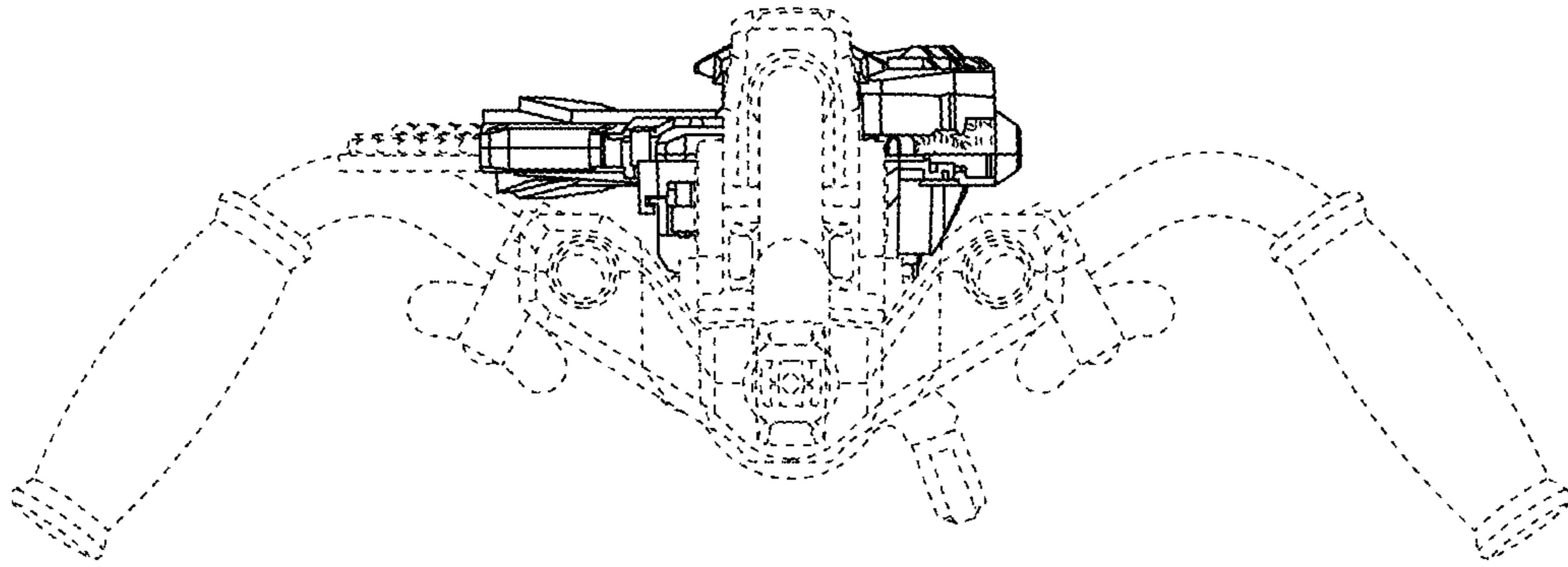
1.4



1.5



1.6



1.7