



US00D951737S

(12) **United States Design Patent**
Kawase et al.

(10) **Patent No.:** **US D951,737 S**
(45) **Date of Patent:** **** May 17, 2022**

(54) **PORTABLE ELECTRIC HAMMER**

FOREIGN PATENT DOCUMENTS

(71) Applicant: **MAKITA CORPORATION**, Anjo (JP)

EM 007453543-0004 12/2019

(72) Inventors: **Tomonori Kawase**, Anjo (JP); **Kanako Hirono**, Anjo (JP)

Primary Examiner — Austin Murphy

(74) *Attorney, Agent, or Firm* — Global IP Counselors, LLP

(73) Assignee: **MAKITA CORPORATION**, Anjo (JP)

(57) **CLAIM**

(**) Term: **15 Years**

The ornamental design for a portable electric hammer, as shown and described.

(21) Appl. No.: **29/759,034**

DESCRIPTION

(22) Filed: **Nov. 19, 2020**

(30) **Foreign Application Priority Data**

May 21, 2020 (JP) 2020-009987 D

(51) **LOC (13) Cl.** **08-05**

(52) **U.S. Cl.**
USPC **D8/69**

(58) **Field of Classification Search**

USPC D8/61, 67, 68, 69; 173/48, 104, 109, 117

CPC B25D 16/006; B25D 17/24;

B25D 2211/003; B25D 2211/068; B25D

2250/065

See application file for complete search history.

FIG. 1 is a front perspective view of a portable electric hammer in accordance with our new design;

FIG. 2 is a rear perspective view of the portable electric hammer in accordance with our new design;

FIG. 3 is a front elevational view of the portable electric hammer in accordance with our new design;

FIG. 4 is a rear elevational view of the portable electric hammer in accordance with our new design;

FIG. 5 is a top plan view of the portable electric hammer in accordance with our new design;

FIG. 6 is a bottom plan view of the portable electric hammer in accordance with our new design;

FIG. 7 is a left side elevational view of the portable electric hammer in accordance with our new design;

FIG. 8 is a right side elevational view of the portable electric hammer in accordance with our new design; and,

FIG. 9 is a front perspective view, similar to FIG. 1, of the portable electric hammer in accordance with our new design illustrating a state in which a side handle and a battery are attached to the portable electric hammer.

The broken line showings of the side handle and the battery in FIG. 9 are provided for the purpose of illustrating environmental structures; whereas the broken line showing in FIGS. 1, 2 and 6-8 illustrate portions of the portable electric hammer. These broken line subject matters do not form part of the claimed design.

(56) **References Cited**

U.S. PATENT DOCUMENTS

D395,586 S * 6/1998 Arakawa D8/69

D477,206 S * 7/2003 Sakai D8/69

D503,078 S * 3/2005 Sakai D8/69

6,907,943 B2 * 6/2005 Ikuta B25D 11/125

173/117

D525,849 S * 8/2006 Hayakawa D8/69

D526,179 S * 8/2006 Hayakawa D8/69

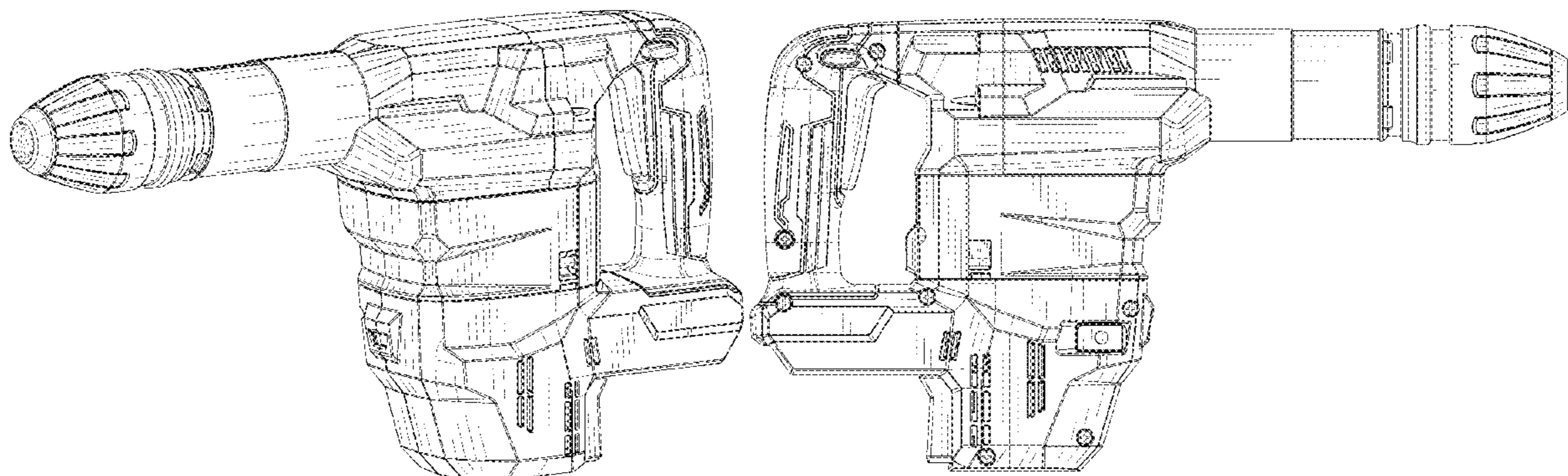
D531,474 S * 11/2006 Hayakawa D8/69

D555,451 S * 11/2007 Okuda D8/69

D558,551 S * 1/2008 Okuda D8/69

(Continued)

1 Claim, 8 Drawing Sheets



(56)

References Cited

U.S. PATENT DOCUMENTS

7,383,893	B2 *	6/2008	Shimma	B25D 16/006 173/104
D592,028	S *	5/2009	Taniguchi	D8/69
D604,583	S *	11/2009	Yamamoto	D8/69
D645,318	S *	9/2011	Taniguchi	D8/69
D677,138	S *	3/2013	Yamamoto	D8/69
D706,603	S *	6/2014	Kokawa	D8/69
D762,435	S *	8/2016	Itoh	D8/69
D838,157	S *	1/2019	Suzuki	D8/69
D847,600	S *	5/2019	Waldron	D8/68
D894,704	S *	9/2020	Sell	D8/69

* cited by examiner

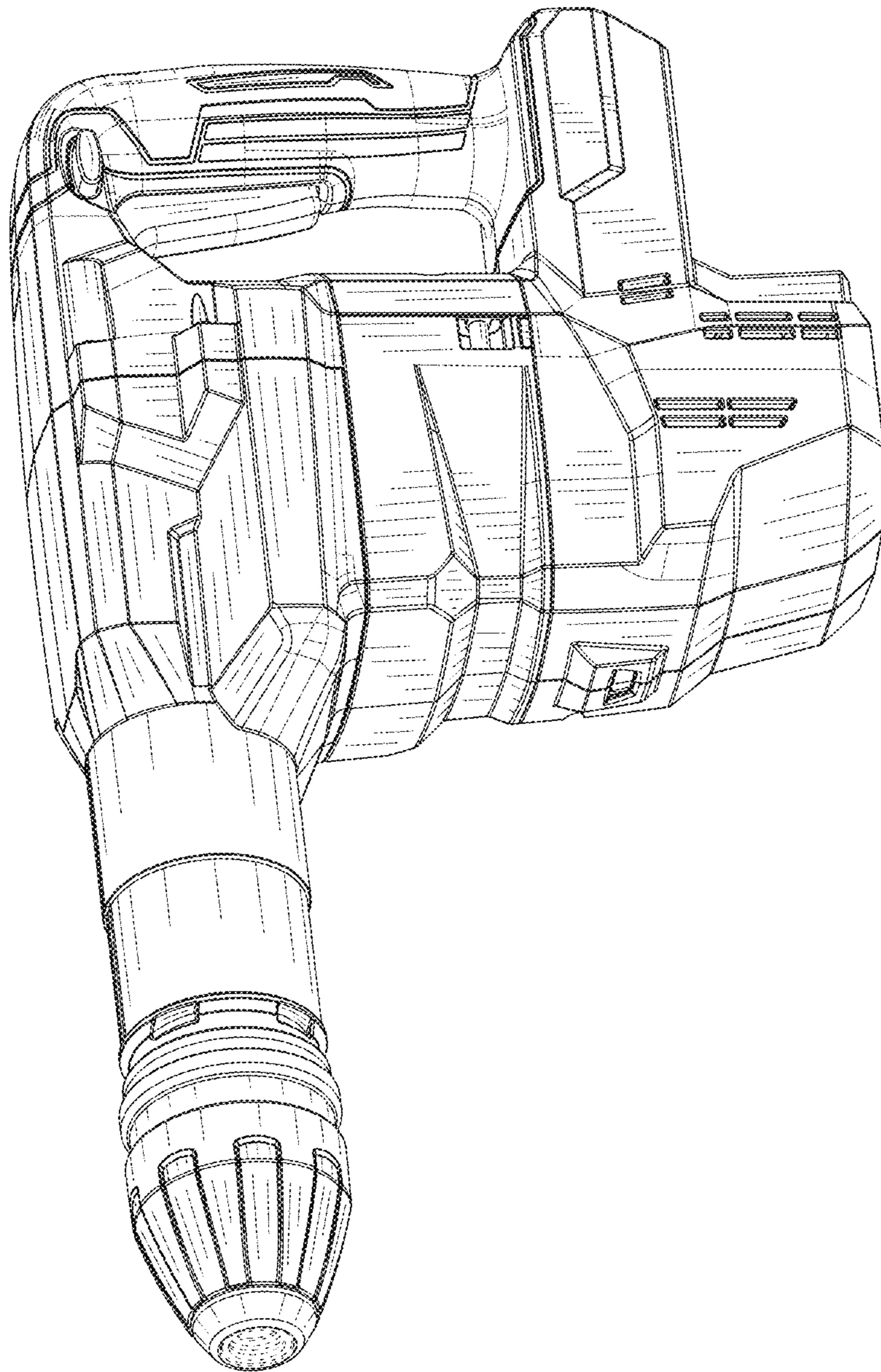


FIG. 1

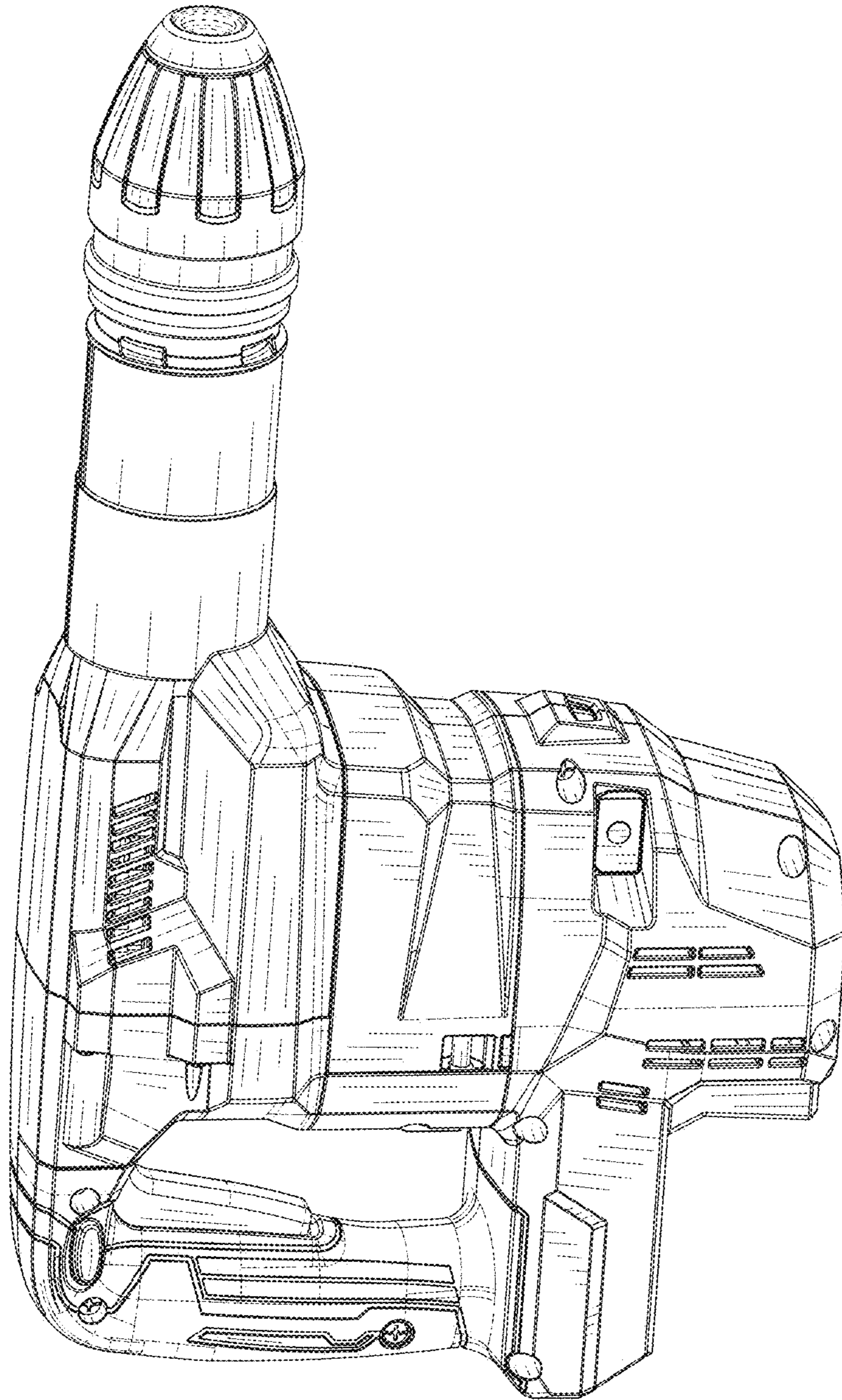


FIG. 2

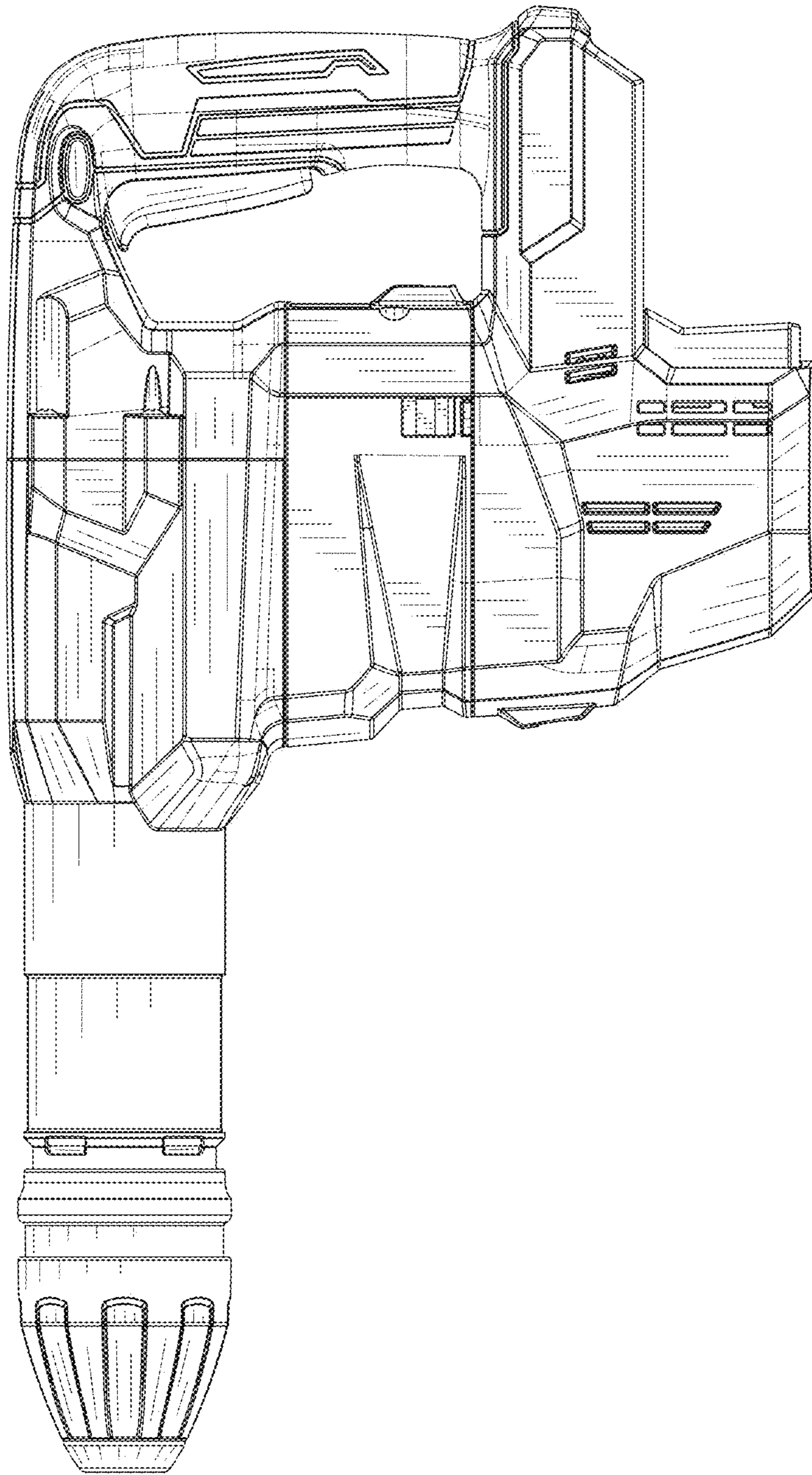


FIG. 3

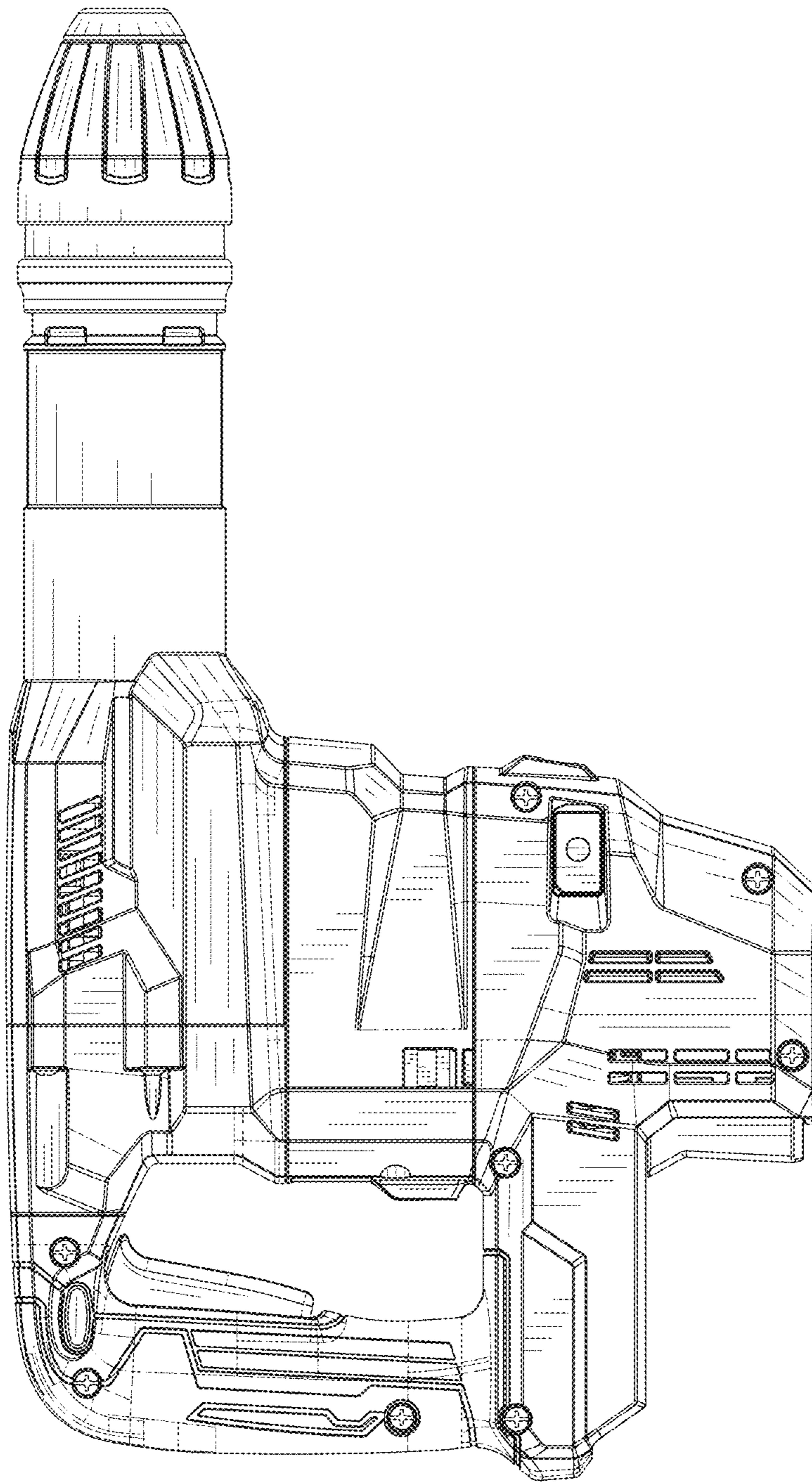


FIG. 4

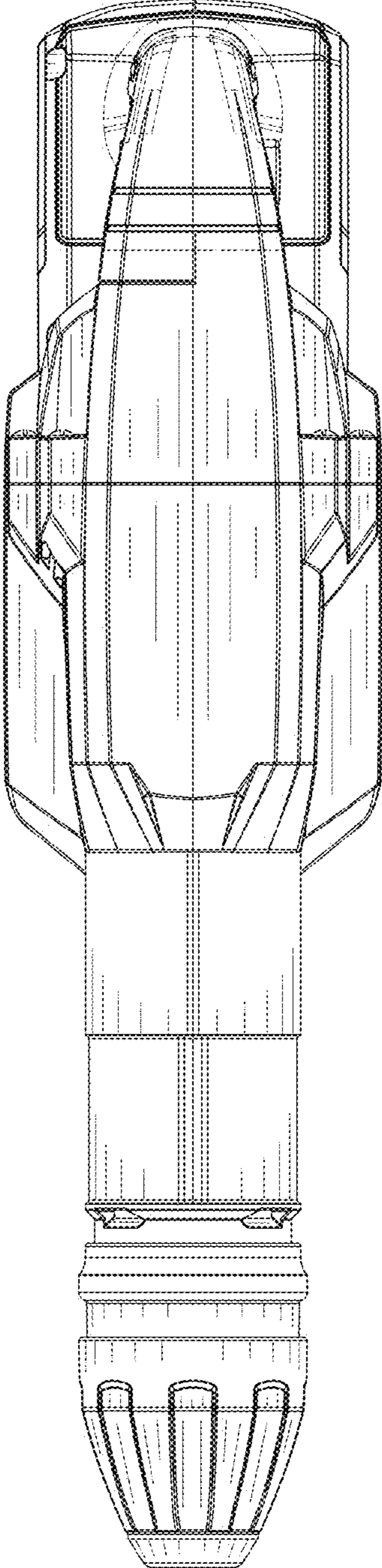


FIG. 5

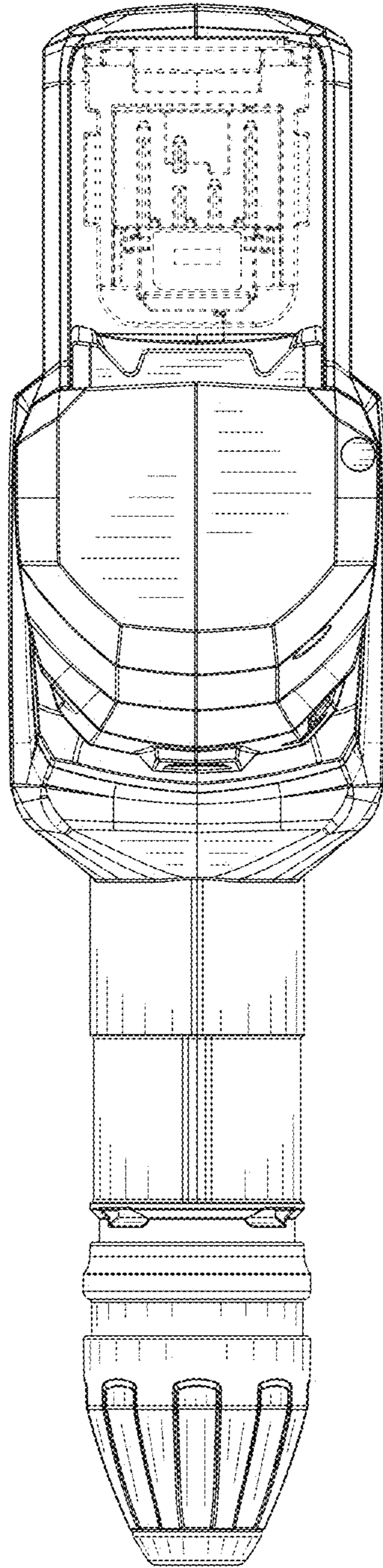


FIG. 6

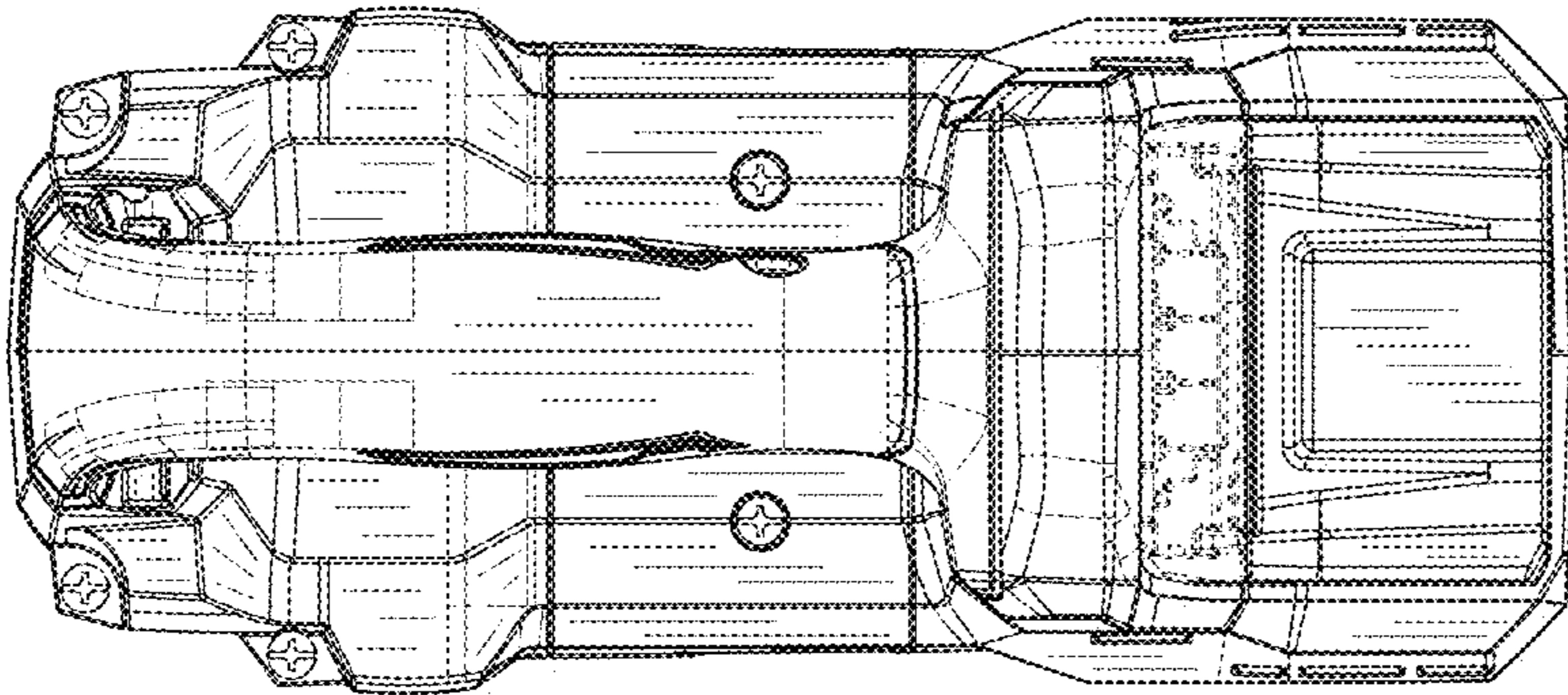


FIG. 8

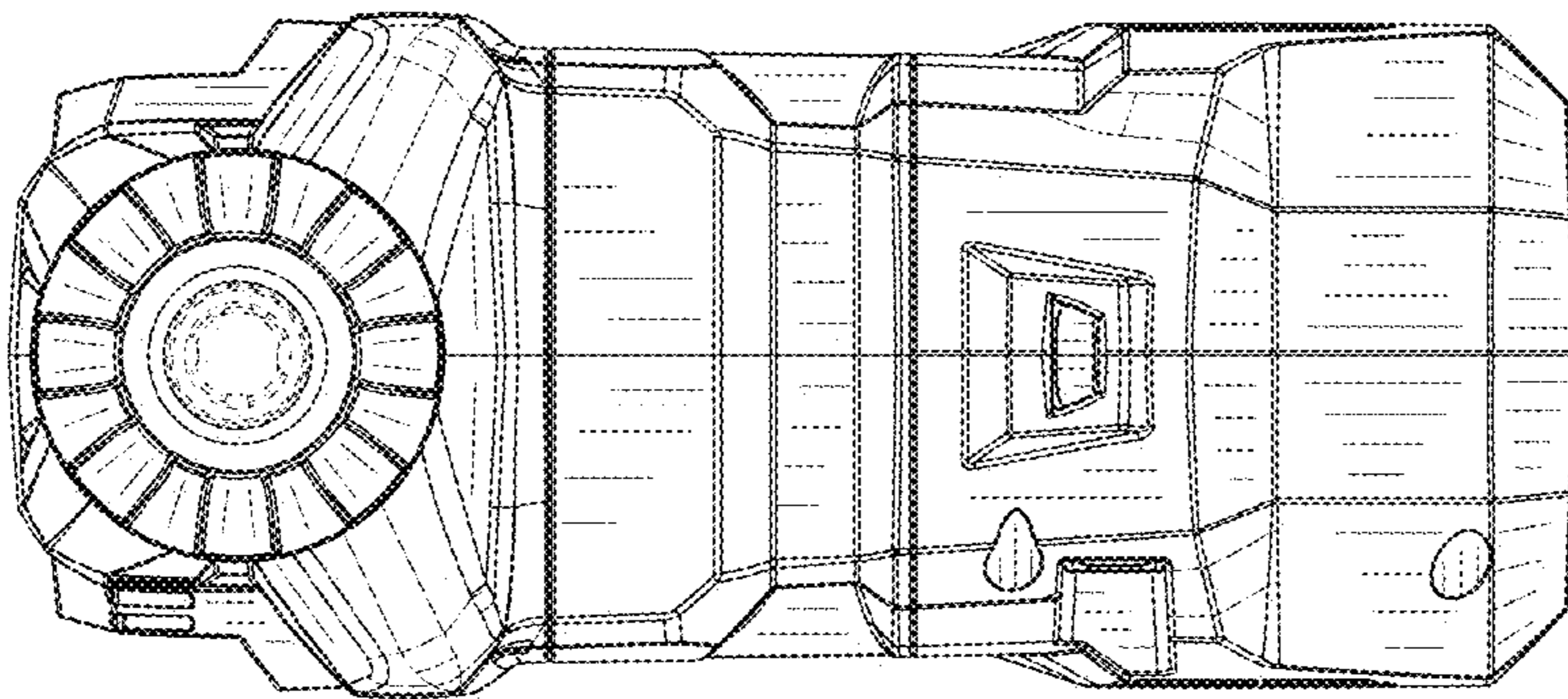


FIG. 7

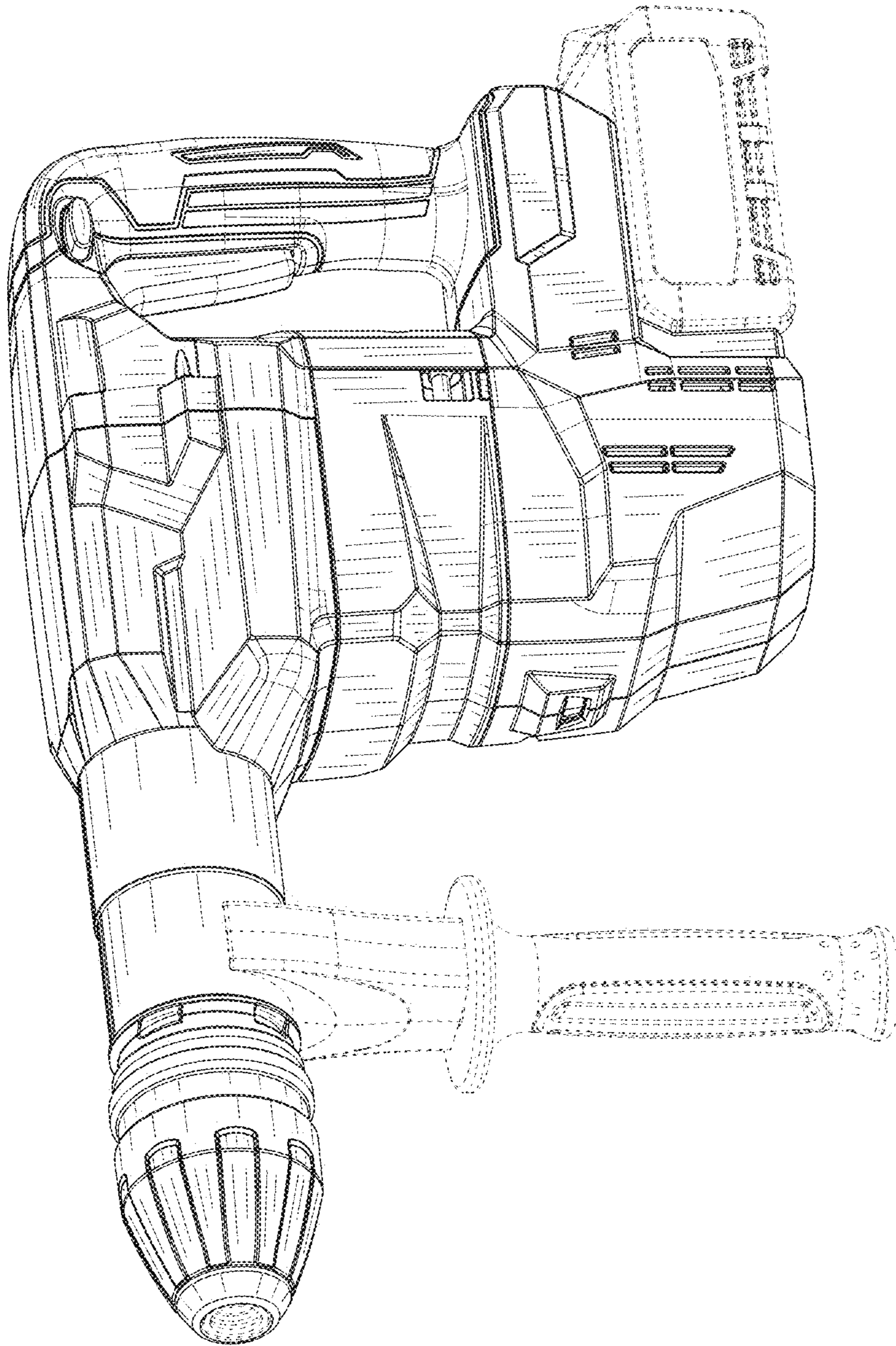


FIG. 9