



US00D951735S

(12) **United States Design Patent**  
**Taniguchi et al.**

(10) **Patent No.:** **US D951,735 S**

(45) **Date of Patent:** **\*\* May 17, 2022**

(54) **BAND SAW**

(71) Applicant: **Koki Holdings Co., Ltd.**, Tokyo (JP)

(72) Inventors: **Takeshi Taniguchi**, Ibaraki (JP);  
**Shinichi Kakefuda**, Ibaraki (JP);  
**Masahiro Fujiwara**, Ibaraki (JP);  
**Tomohiro Ejiri**, Ibaraki (JP)

(73) Assignee: **Koki Holdings Co., Ltd.**, Tokyo (JP)

(\*\*) Term: **15 Years**

(21) Appl. No.: **29/747,460**

(22) Filed: **Aug. 23, 2020**

(30) **Foreign Application Priority Data**

Feb. 28, 2020 (JP) ..... 2020-003839 D

(51) **LOC (13) Cl.** ..... **08-03**

(52) **U.S. Cl.**  
USPC ..... **D8/64**

(58) **Field of Classification Search**  
USPC ..... D8/64; D15/138, 134, 133; 83/818, 816,  
83/788, 824; 30/380, 274, 166.3  
CPC ..... B23D 55/086; B23D 53/04; B23D 55/04;  
B23D 55/082  
See application file for complete search history.

(56) **References Cited**

**U.S. PATENT DOCUMENTS**

D248,085 S \* 6/1978 Stelljes ..... D8/64  
D316,507 S \* 4/1991 Fushiya ..... D8/64

D530,580 S \* 10/2006 Hayakawa ..... D8/64  
D545,656 S \* 7/2007 Welsh ..... D8/64  
D571,175 S \* 6/2008 Wright ..... D8/64  
D624,096 S \* 9/2010 Jebb ..... D15/134  
D711,715 S \* 8/2014 Takahashi ..... D8/64  
D938,791 S \* 12/2021 Misawa ..... D8/64

\* cited by examiner

*Primary Examiner* — Austin Murphy

(74) *Attorney, Agent, or Firm* — JCIPRNET

(57) **CLAIM**

The ornamental design for a band saw, as shown and described.

**DESCRIPTION**

FIG. 1 is a perspective view of a band saw showing our new design;

FIG. 2 is a front view thereof;

FIG. 3 is a rear view thereof;

FIG. 4 is a left side view thereof;

FIG. 5 is a right side view thereof;

FIG. 6 is a top view thereof;

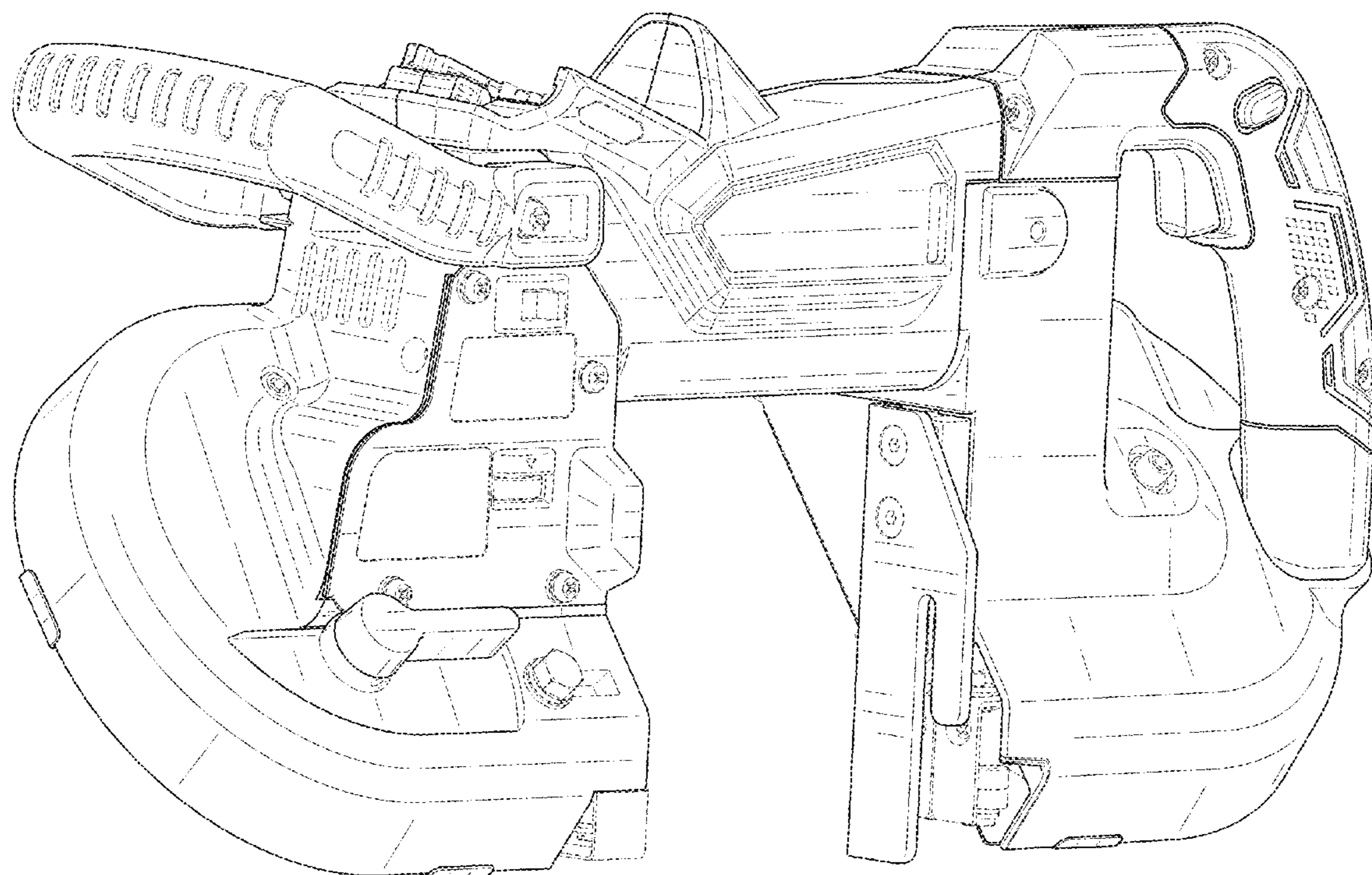
FIG. 7 is a bottom view thereof;

FIG. 8 is a perspective view thereof with the battery attached; and,

FIG. 9 is a perspective view thereof with the bumpers attached.

The broken lines illustrate portions of the band saw that form no part of the claimed design. The broken lines showing a battery in FIG. 8 and bumpers in FIG. 9 are for the purpose of illustrating environmental structure, and form no part of the claimed design.

**1 Claim, 8 Drawing Sheets**



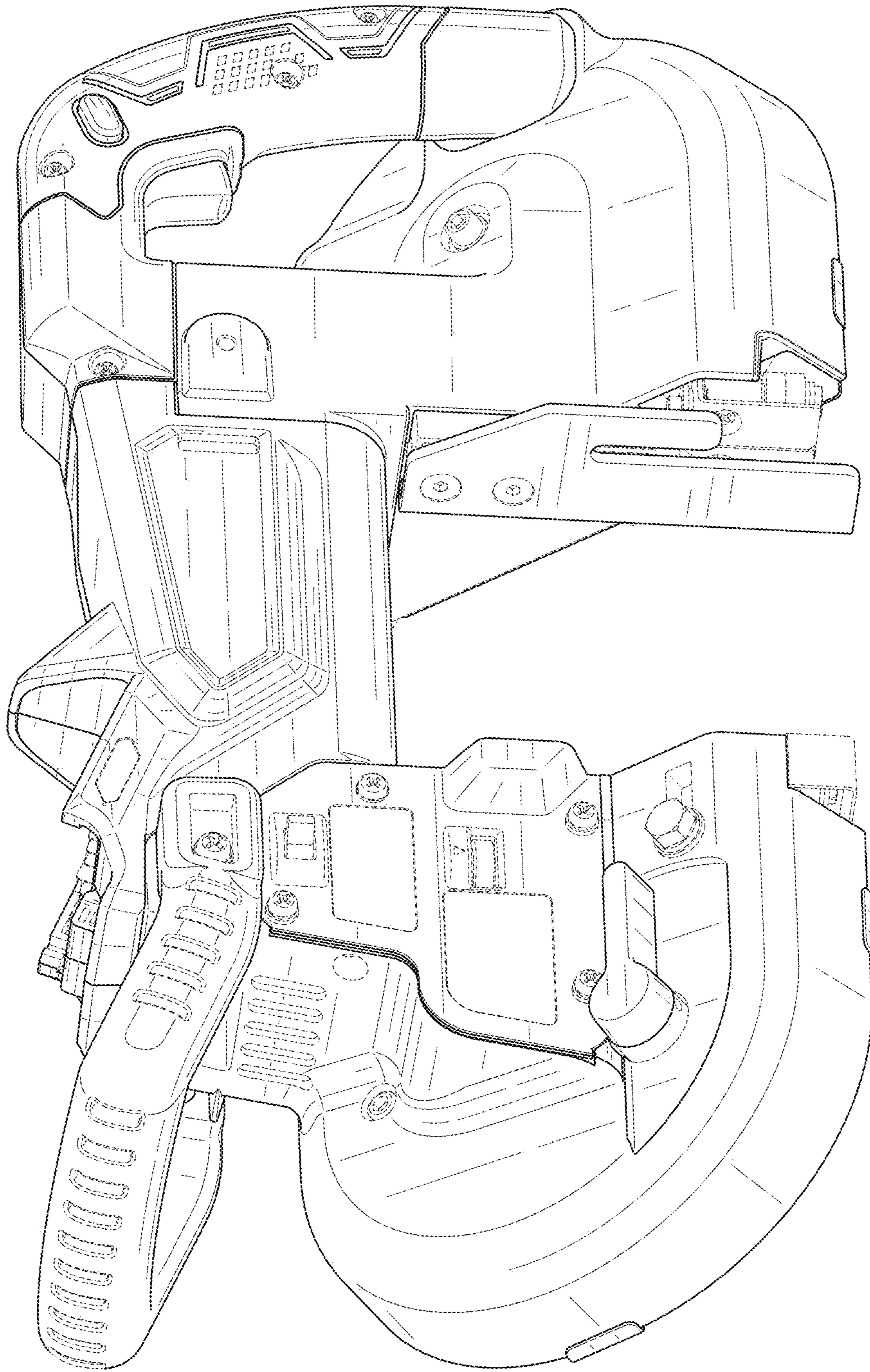


FIG. 1

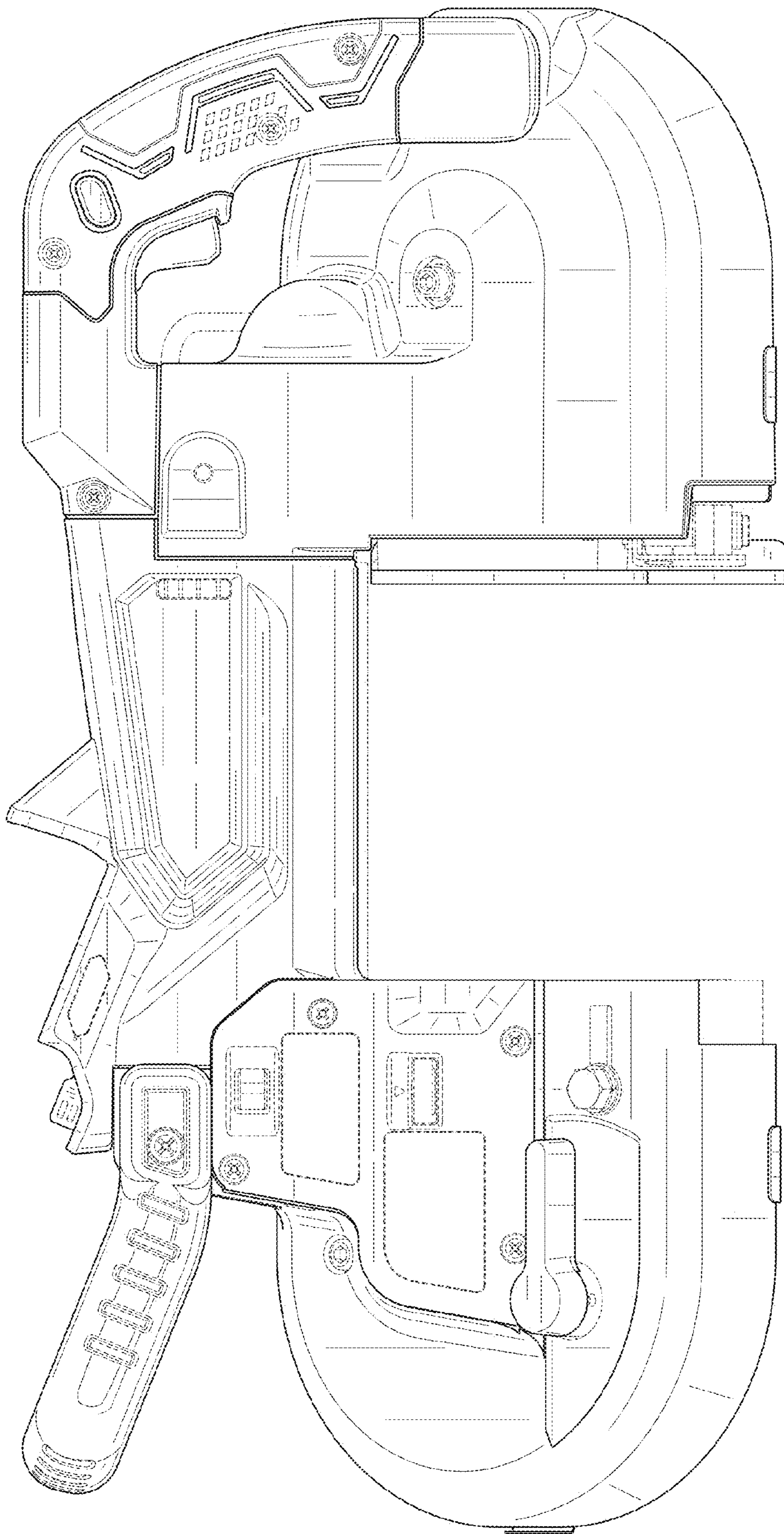


FIG. 2

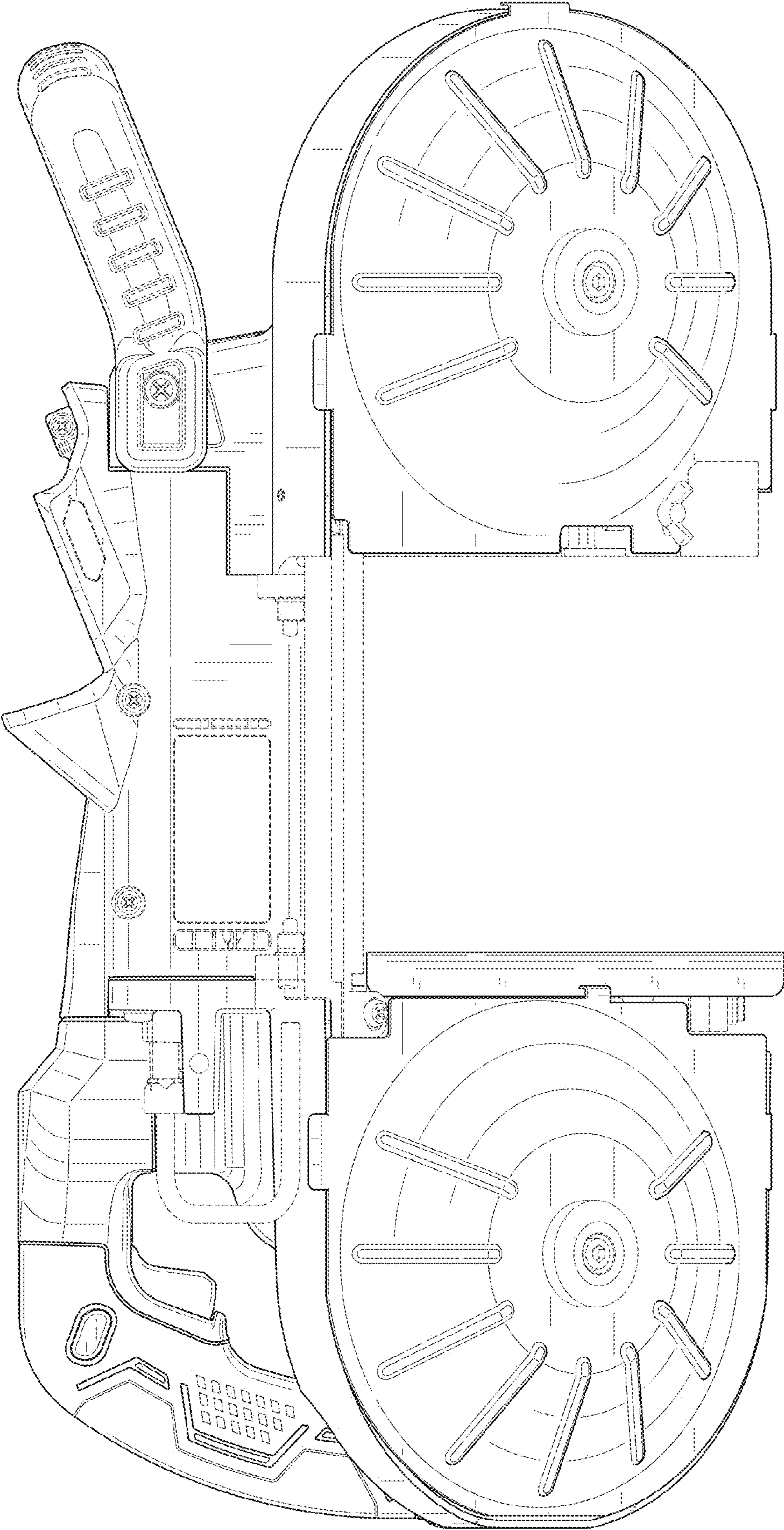


FIG. 3

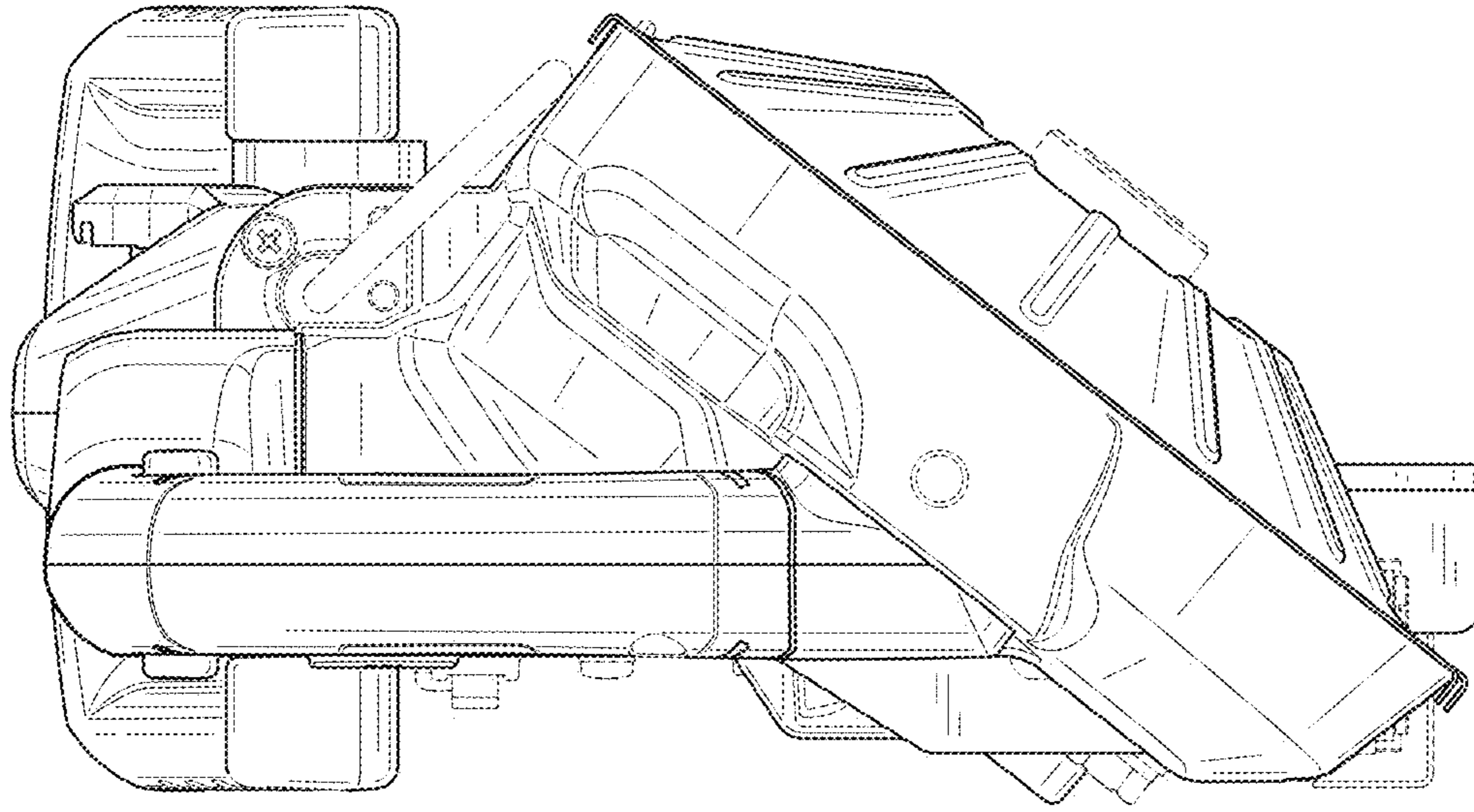


FIG. 5

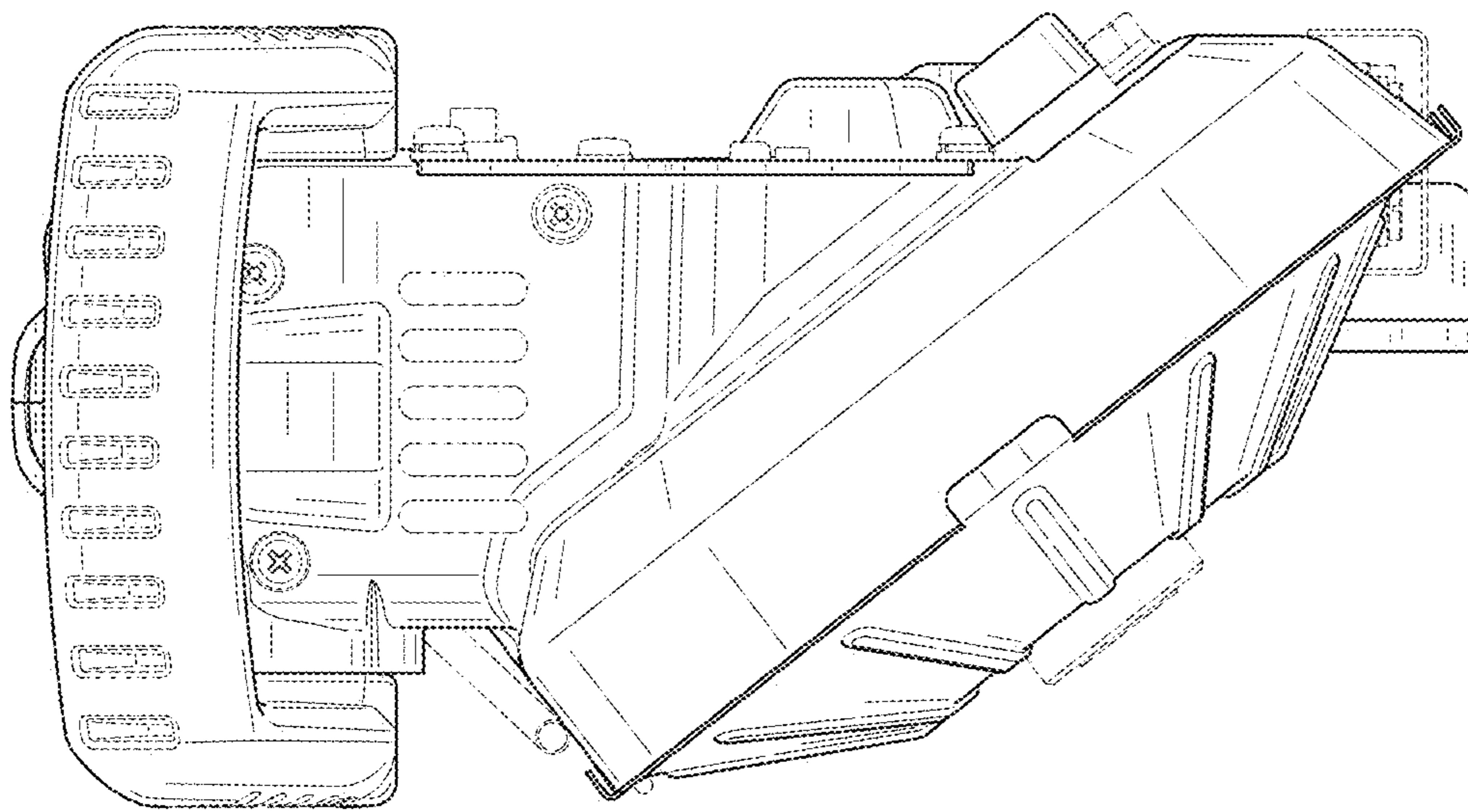


FIG. 4

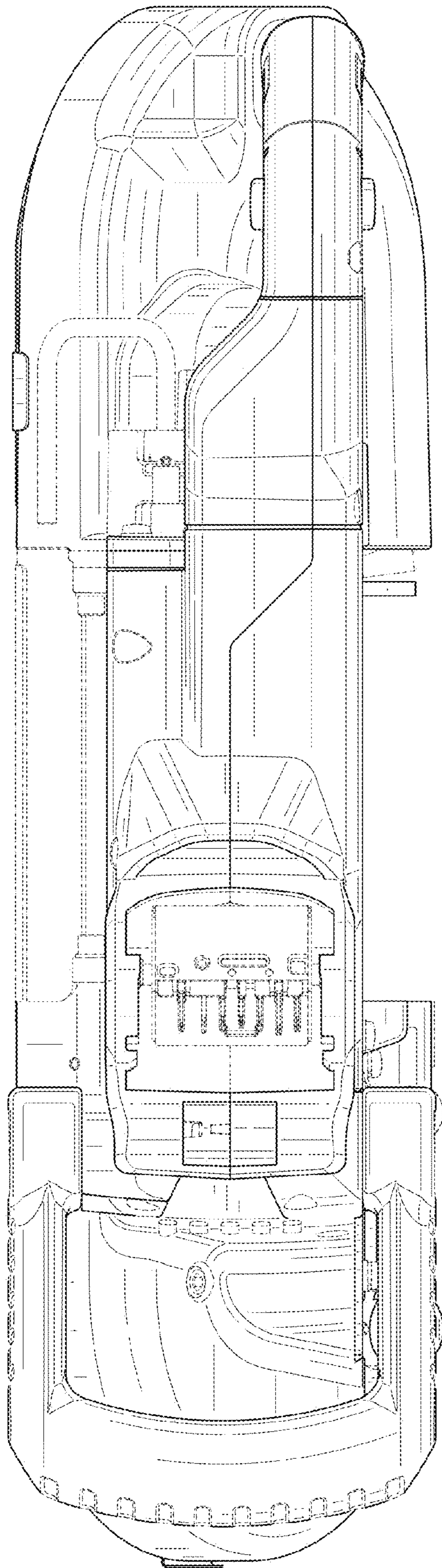


FIG. 6

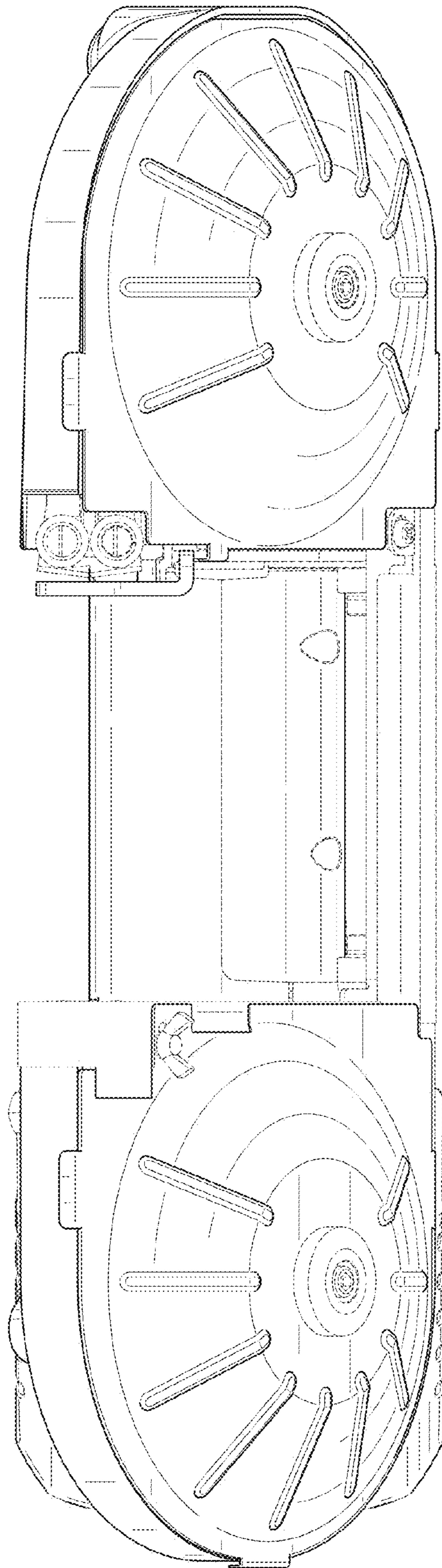


FIG. 7

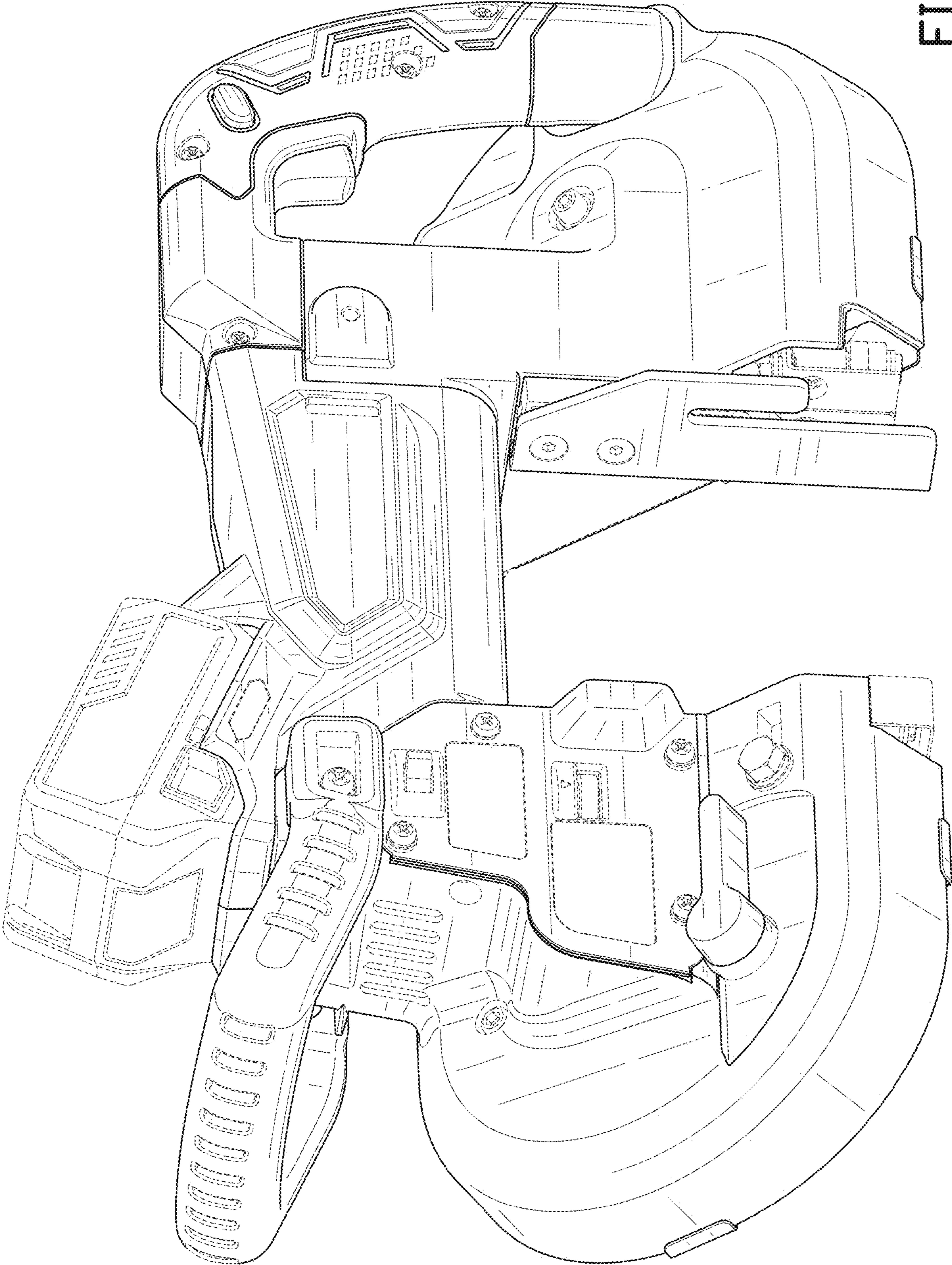


FIG. 8



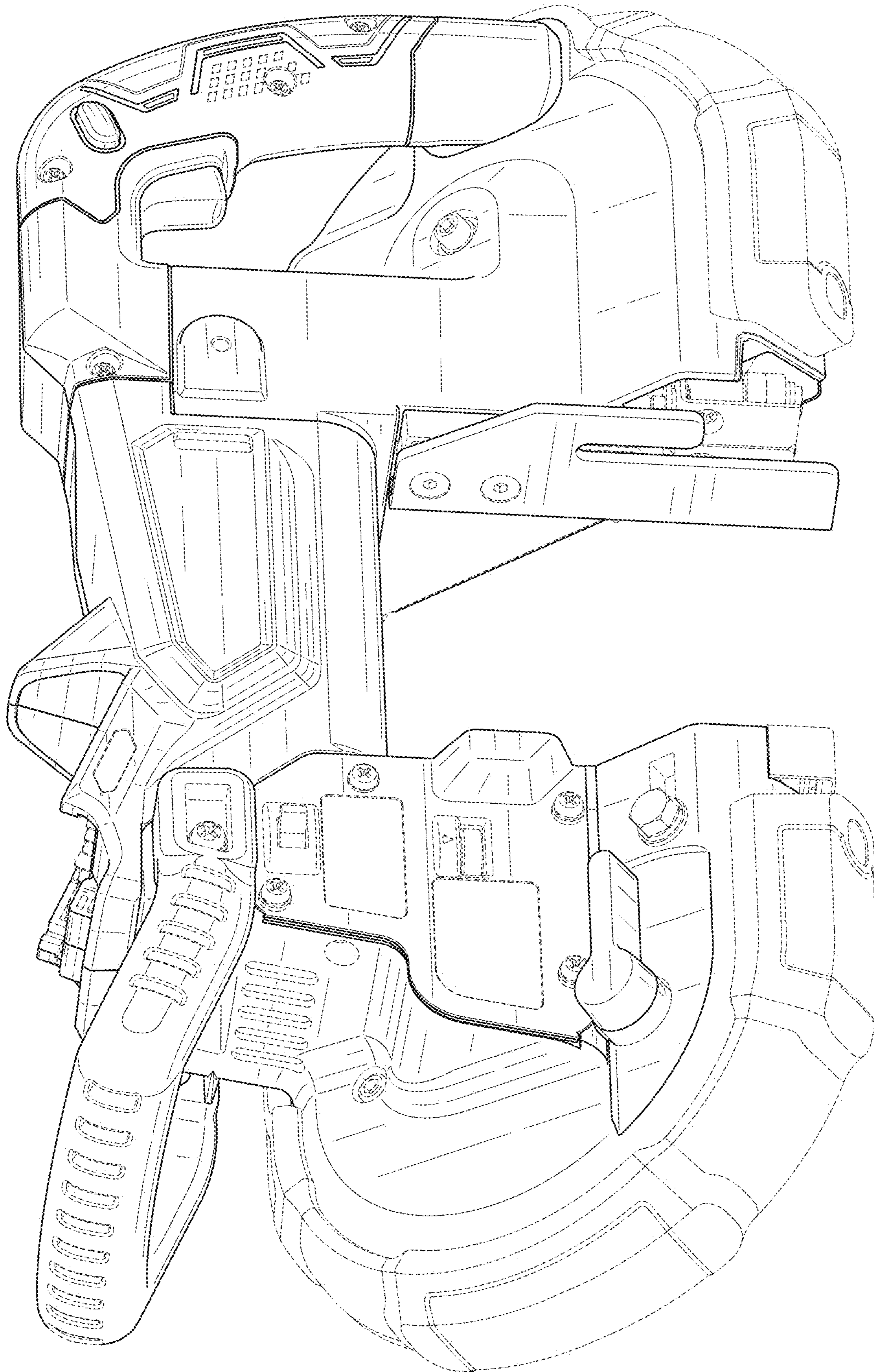


FIG. 9