



US00D951734S

(12) **United States Design Patent**
Dai et al.

(10) **Patent No.:** **US D951,734 S**
(45) **Date of Patent:** **** May 17, 2022**

(54) **ELECTRIC BELT SANDER BODY**

FOREIGN PATENT DOCUMENTS

(71) Applicant: **MAKITA CORPORATION**, Anjo (JP)

JP 1124059 S 10/2001

(72) Inventors: **Shusheng Dai**, Jiangsu (CN); **Xun Zhang**, Jiangsu (CN); **Xing Xu**, Jiangsu (CN)

Primary Examiner — Austin Murphy

(74) *Attorney, Agent, or Firm* — Global IP Counselors, LLP

(73) Assignee: **MAKITA CORPORATION**, Anjo (JP)

(57) **CLAIM**

(**) Term: **15 Years**

The ornamental design for an electric belt sander body, as shown and described.

(21) Appl. No.: **29/764,283**

DESCRIPTION

(22) Filed: **Dec. 29, 2020**

(30) **Foreign Application Priority Data**

Jun. 30, 2020 (JP) 2020-013151 D

(51) **LOC (13) Cl.** **08-05**

(52) **U.S. Cl.**
USPC **D8/62**

(58) **Field of Classification Search**
USPC D8/69, 68, 67, 66, 64, 61, 70; 83/698.41,
83/747, 166.3, 374, 373, 375, 376, 391,
83/377, 390, 388, 389; 125/13.01;
144/218; D21/532

CPC B24B 23/028; B24B 47/12; B24B 7/186;
B25F 5/001; B25F 5/02

See application file for complete search history.

FIG. 1 is a front perspective view of an electric belt sander body in accordance with our new design;
FIG. 2 is a rear perspective view of the electric belt sander body in accordance with our new design;
FIG. 3 is a front elevational view of the electric belt sander body in accordance with our new design;
FIG. 4 is a rear elevational view of the electric belt sander body in accordance with our new design;
FIG. 5 is a top plan view of the electric belt sander body in accordance with our new design;
FIG. 6 is a bottom plan view of the electric belt sander body in accordance with our new design;
FIG. 7 is a right side elevational view of the electric belt sander body in accordance with our new design;
FIG. 8 is a left side elevational view of the electric belt sander body in accordance with our new design; and,
FIG. 9 is a front perspective view, similar to FIG. 1, of the electric belt sander body in accordance with our new design illustrating a state in which a battery and a side handle are attached to the electric belt sander body.

The broken line showing of the battery and the side handle in FIG. 9 is provided for the purpose of illustrating environmental structures; whereas the broken line showing in FIGS. 1-5 and 7 illustrates portions of the electric belt sander body. These broken line subject matters do not form part of the claimed design.

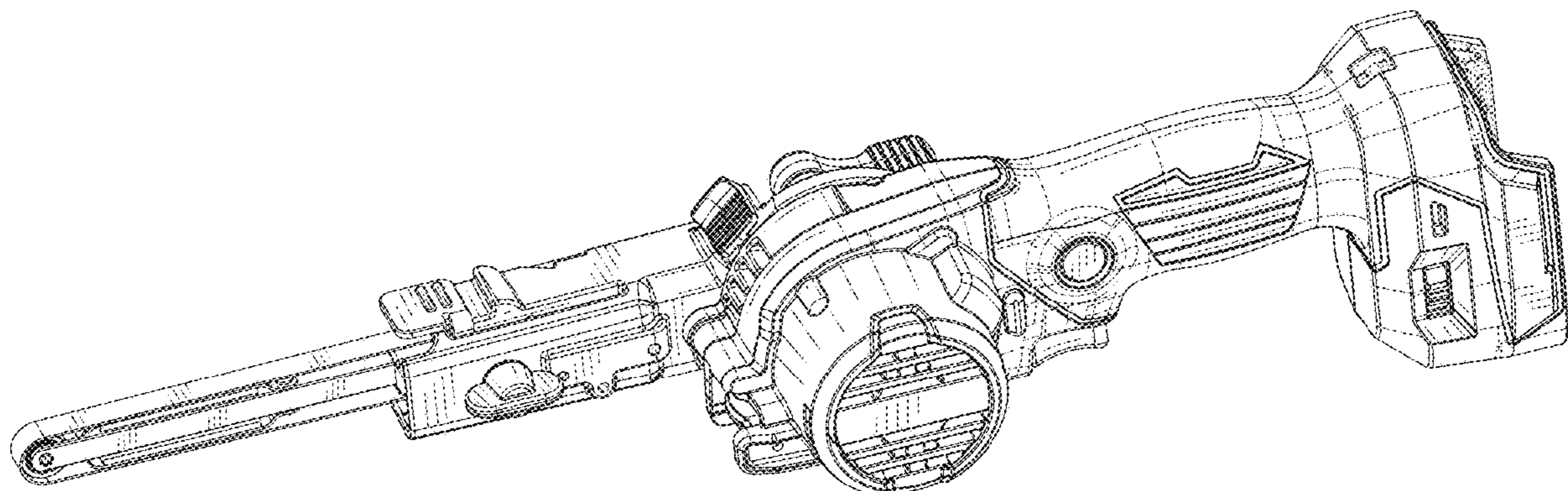
(56) **References Cited**

U.S. PATENT DOCUMENTS

D215,047 S * 8/1969 Mikiya D8/62
4,578,906 A * 4/1986 Appleton B24B 23/06
451/355
D298,508 S * 11/1988 Fukuda D8/62
D301,966 S * 7/1989 Currie D8/62
D321,464 S * 11/1991 Mikiya D8/62
D321,465 S * 11/1991 Mikiya D8/62

(Continued)

1 Claim, 8 Drawing Sheets



(56)

References Cited

U.S. PATENT DOCUMENTS

D338,382 S *	8/1993	Fukuda	D8/62
D351,544 S *	10/1994	Izumisawa	D8/62
D351,545 S *	10/1994	Izumisawa	D8/62
D357,164 S *	4/1995	Izumisawa	D8/62
D384,870 S *	10/1997	Yamaguchi	D8/62
D491,782 S *	6/2004	Chiba	D8/62
D570,662 S *	6/2008	Baxter	D8/62
D872,549 S *	1/2020	Inkster	D8/62
D938,247 S *	12/2021	Suzuki	D8/62

* cited by examiner

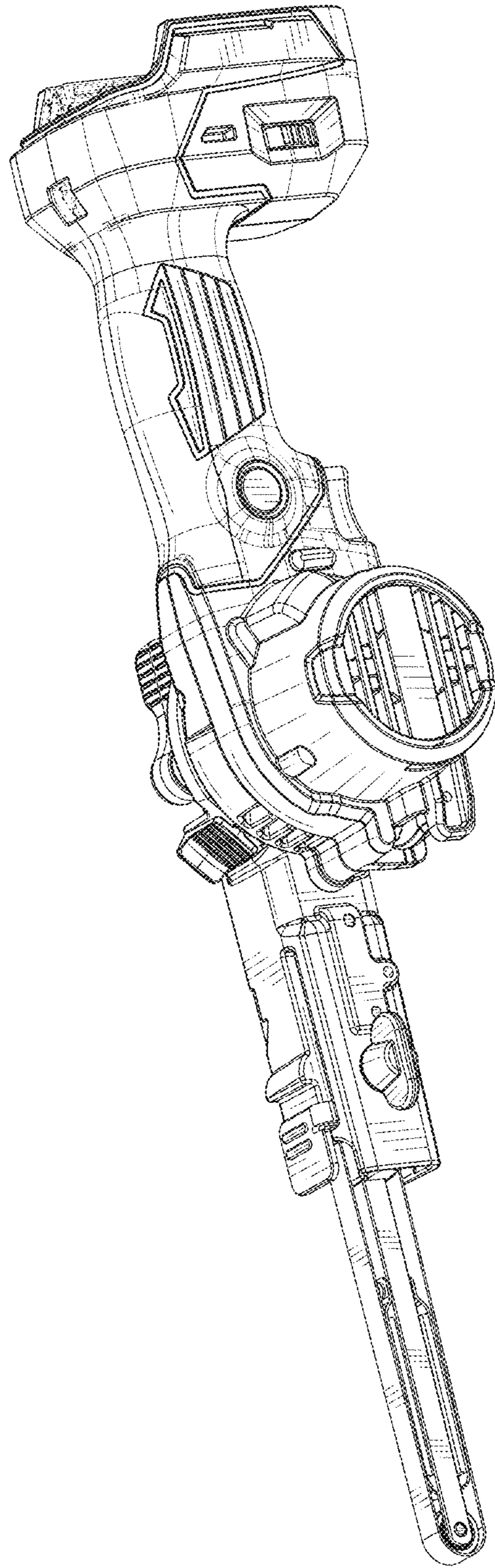


FIG. 1

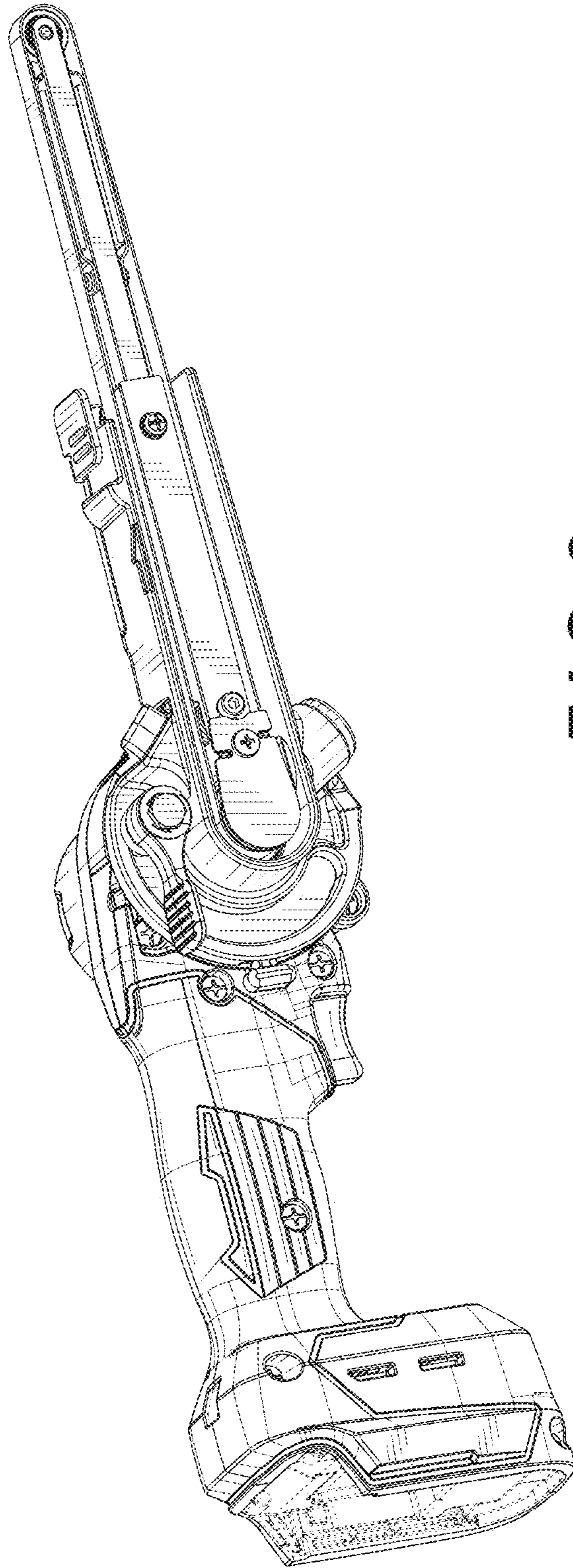


FIG. 2

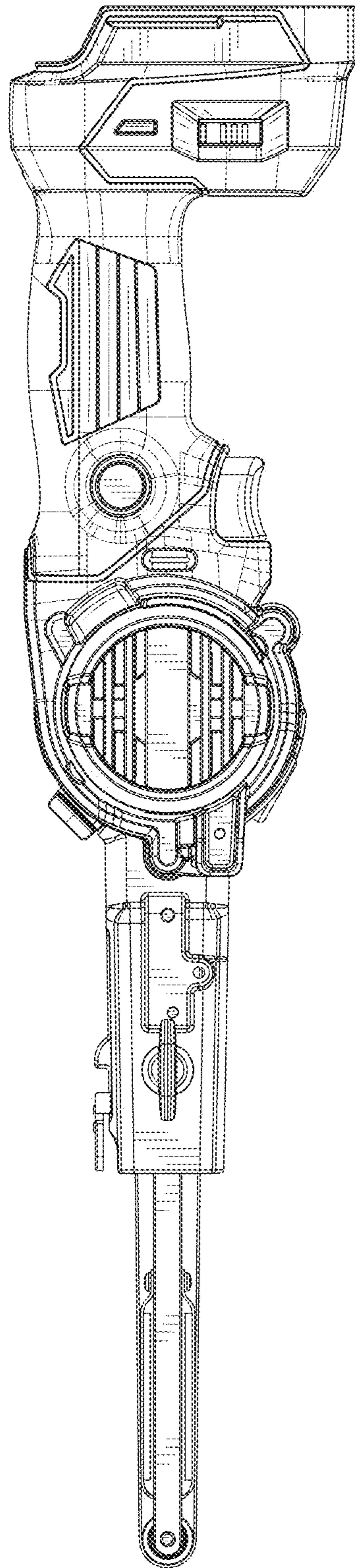


FIG. 3

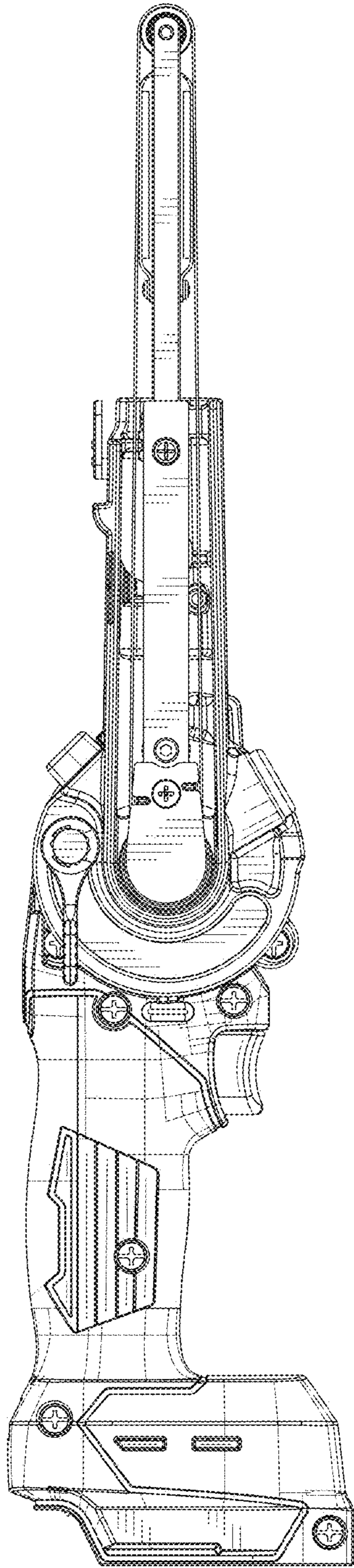


FIG. 4

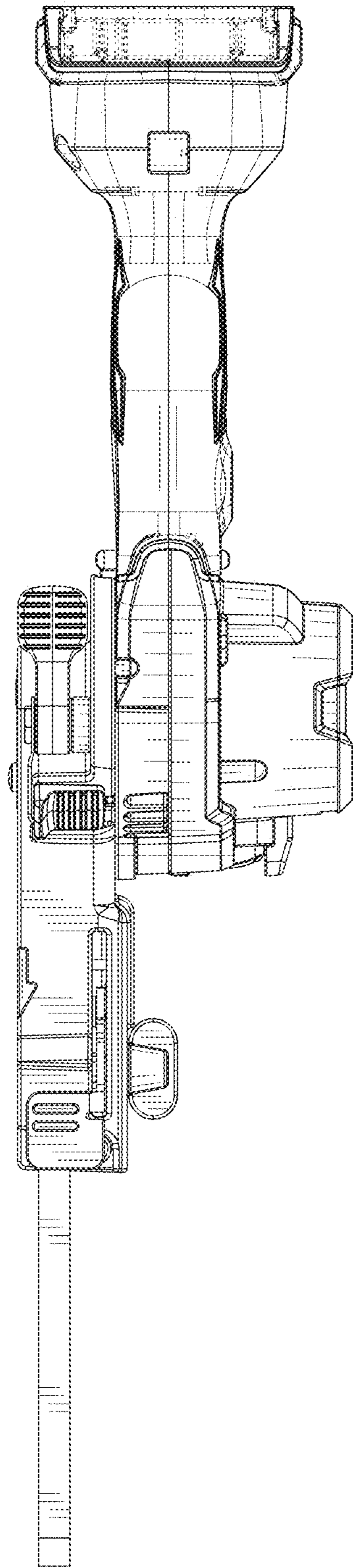


FIG. 5

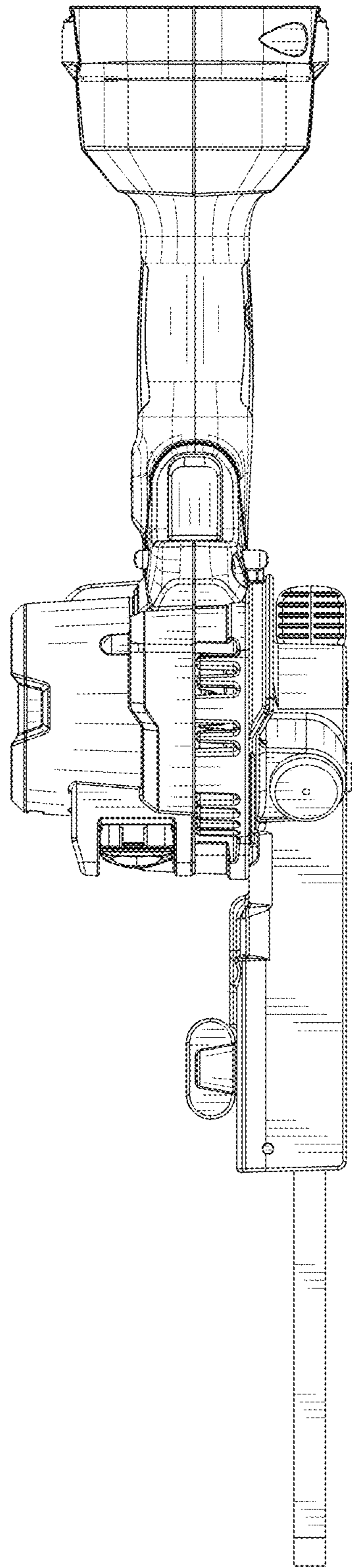


FIG. 6

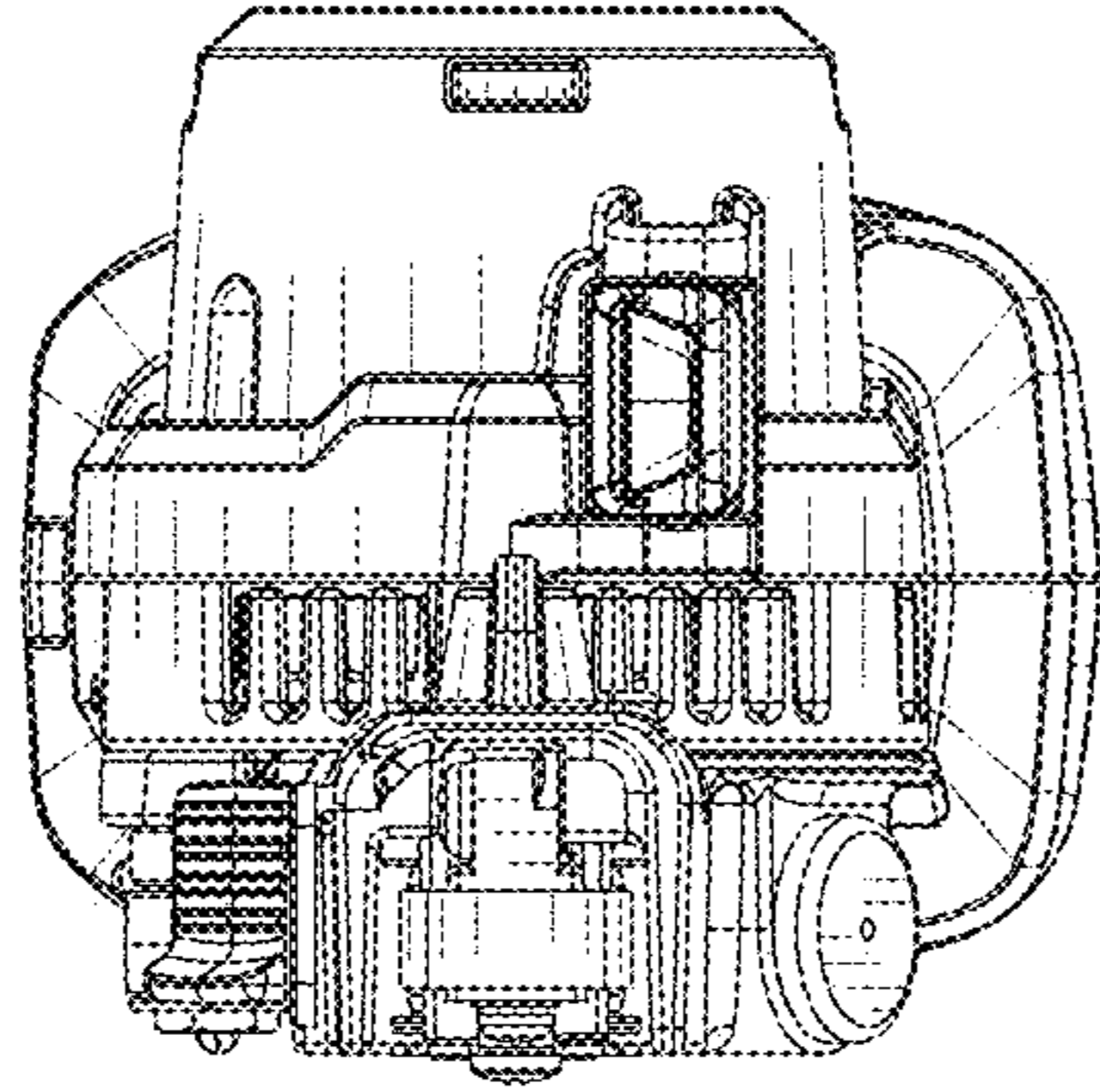


FIG. 8

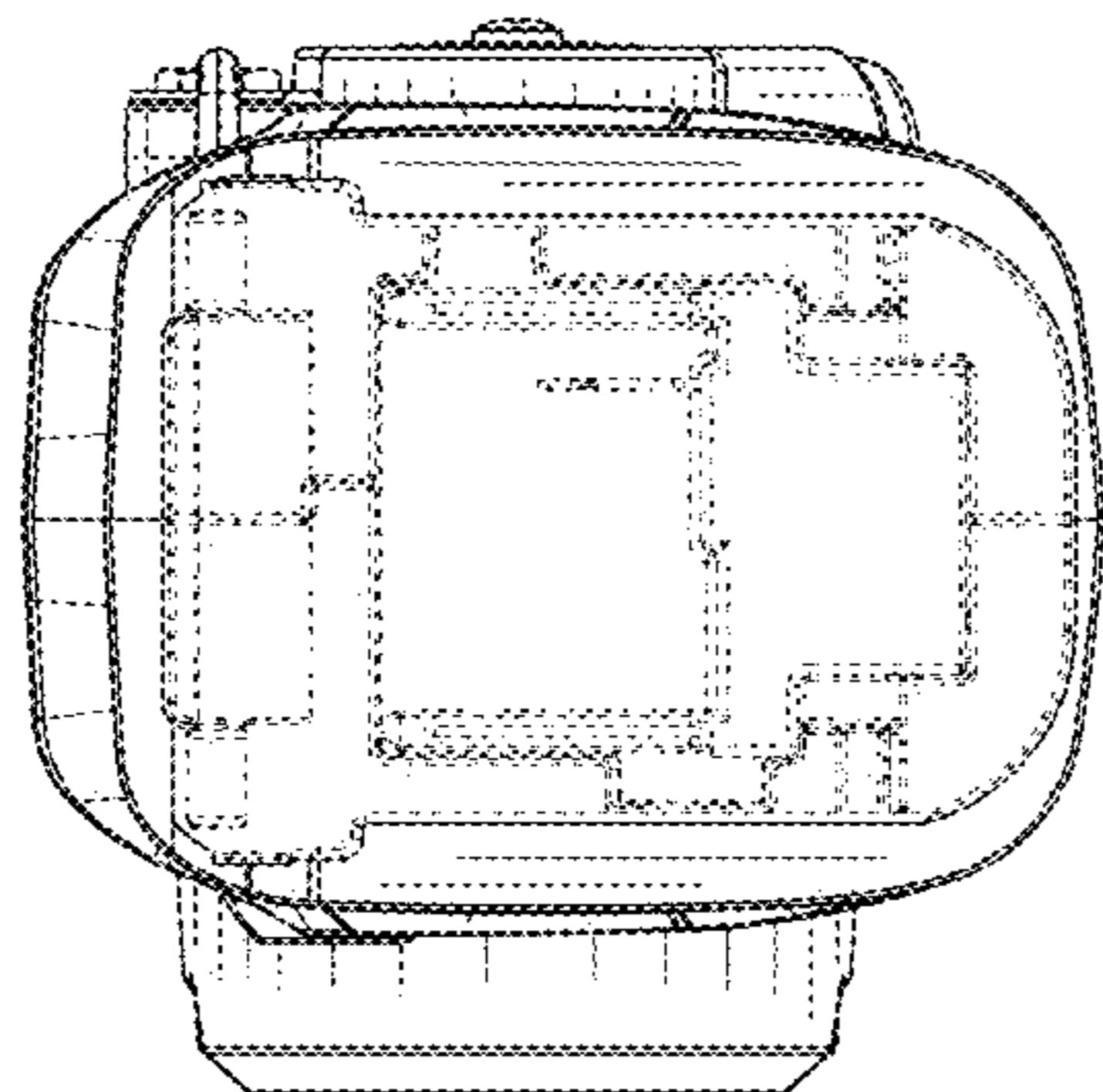


FIG. 7

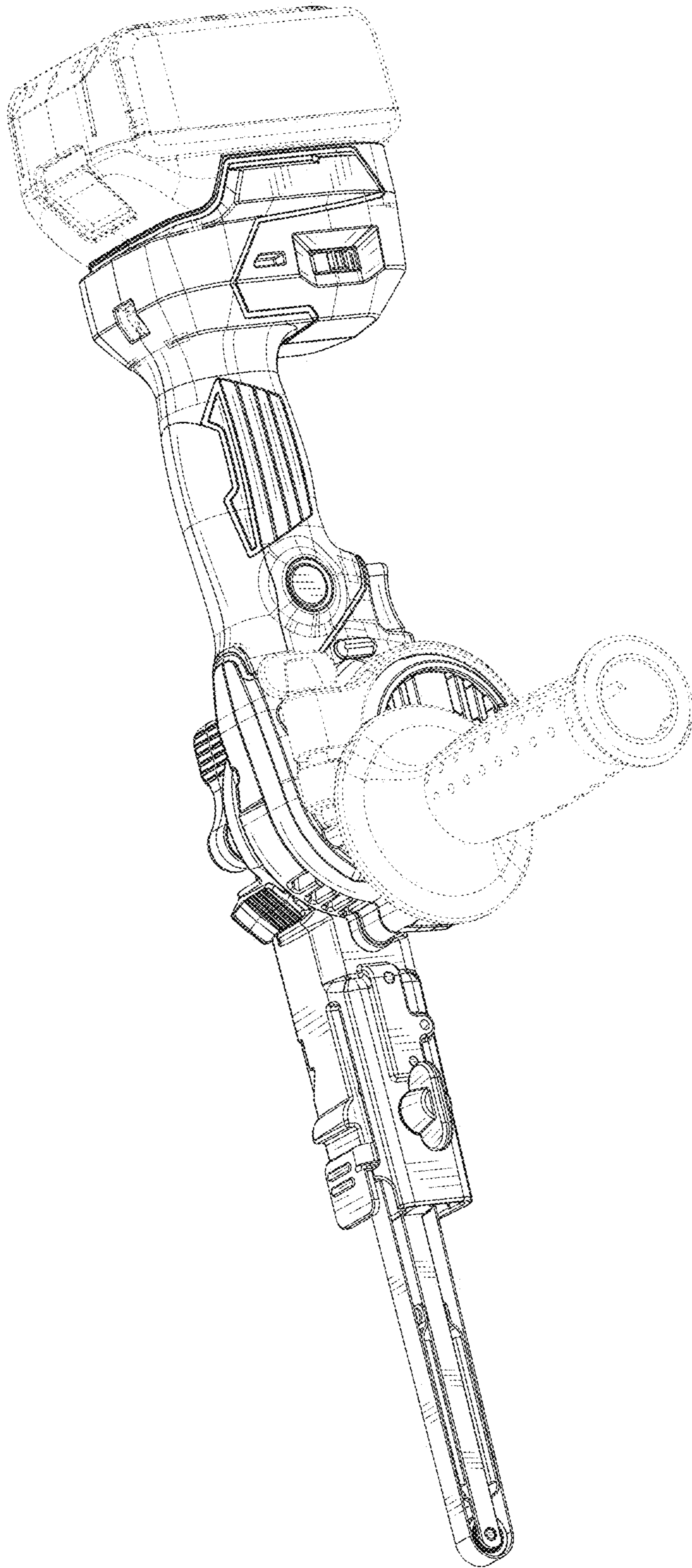


FIG. 9