



US00D951733S

(12) **United States Design Patent**
Sommerville

(10) **Patent No.:** **US D951,733 S**

(45) **Date of Patent:** **** May 17, 2022**

(54) **RANDOM ORBITAL POLISHING TOOL**

(71) Applicant: **3M INNOVATIVE PROPERTIES COMPANY**, St. Paul, MN (US)

(72) Inventor: **James R. Sommerville**, Richfield, MN (US)

(73) Assignee: **3M Innovative Properties Company**, St. Paul, MN (US)

(**) Term: **15 Years**

(21) Appl. No.: **29/749,446**

(22) Filed: **Sep. 4, 2020**

(51) **LOC (13) Cl.** **08-03**

(52) **U.S. Cl.**
USPC **D8/62**

(58) **Field of Classification Search**
USPC D8/69, 68, 67, 66, 64, 61, 70; 83/698.41, 83/747, 166.3, 374, 373, 375, 376, 391, 83/377, 390, 388, 389; 125/13.01; 144/218; D21/532
CPC B24B 23/028; B24B 47/12; B24B 7/186; B25F 5/001; B25F 5/02
See application file for complete search history.

(56) **References Cited**

U.S. PATENT DOCUMENTS

D827,404 S * 9/2018 Schneider D8/62
D859,762 S * 9/2019 Brown D32/19
D859,763 S * 9/2019 Brown D32/19
10,399,200 B2 * 9/2019 Lipson B24B 23/028
D863,013 S * 10/2019 Kawase D8/61

D924,028 S * 7/2021 Gallahar D8/62
2017/0106491 A1 * 4/2017 Ishikawa B24B 23/02
2019/0001459 A1 * 1/2019 Valentini B24D 13/20
2019/0070705 A1 * 3/2019 Ishikawa B24B 41/007
2019/0184516 A1 * 6/2019 Schneider B24B 45/006

FOREIGN PATENT DOCUMENTS

EM 002963728-0001 11/2017
WO WO D037271-001 10/1996

* cited by examiner

Primary Examiner — Austin Murphy

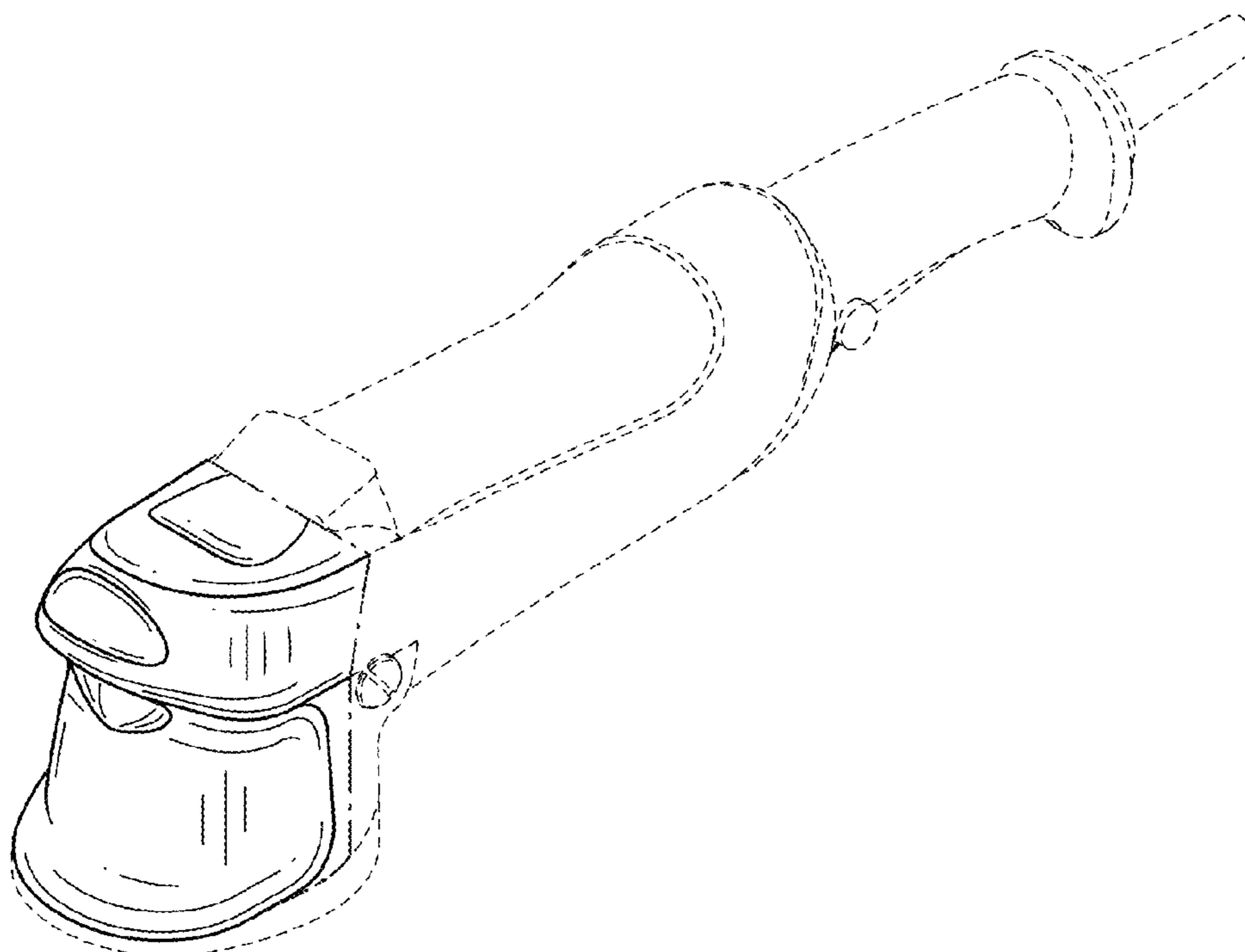
(57) **CLAIM**

The ornamental design for a random orbital polishing tool, as shown and described.

DESCRIPTION

FIG. 1 is a perspective view of a random orbital polishing tool showing the new design; FIG. 2 is a right side view thereof; FIG. 3 is a left side view thereof; FIG. 4 is a top view thereof; FIG. 5 is a bottom view thereof; FIG. 6 is a front view thereof; and, FIG. 7 is a rear view thereof. The broken, dashed lines in the drawings are shown for illustrative purposes only and form no part of the claimed design. The dash-dot line in the drawings define a boundary of the claim. The claimed design extends up to, but does not include, the dash-dot line.

1 Claim, 3 Drawing Sheets



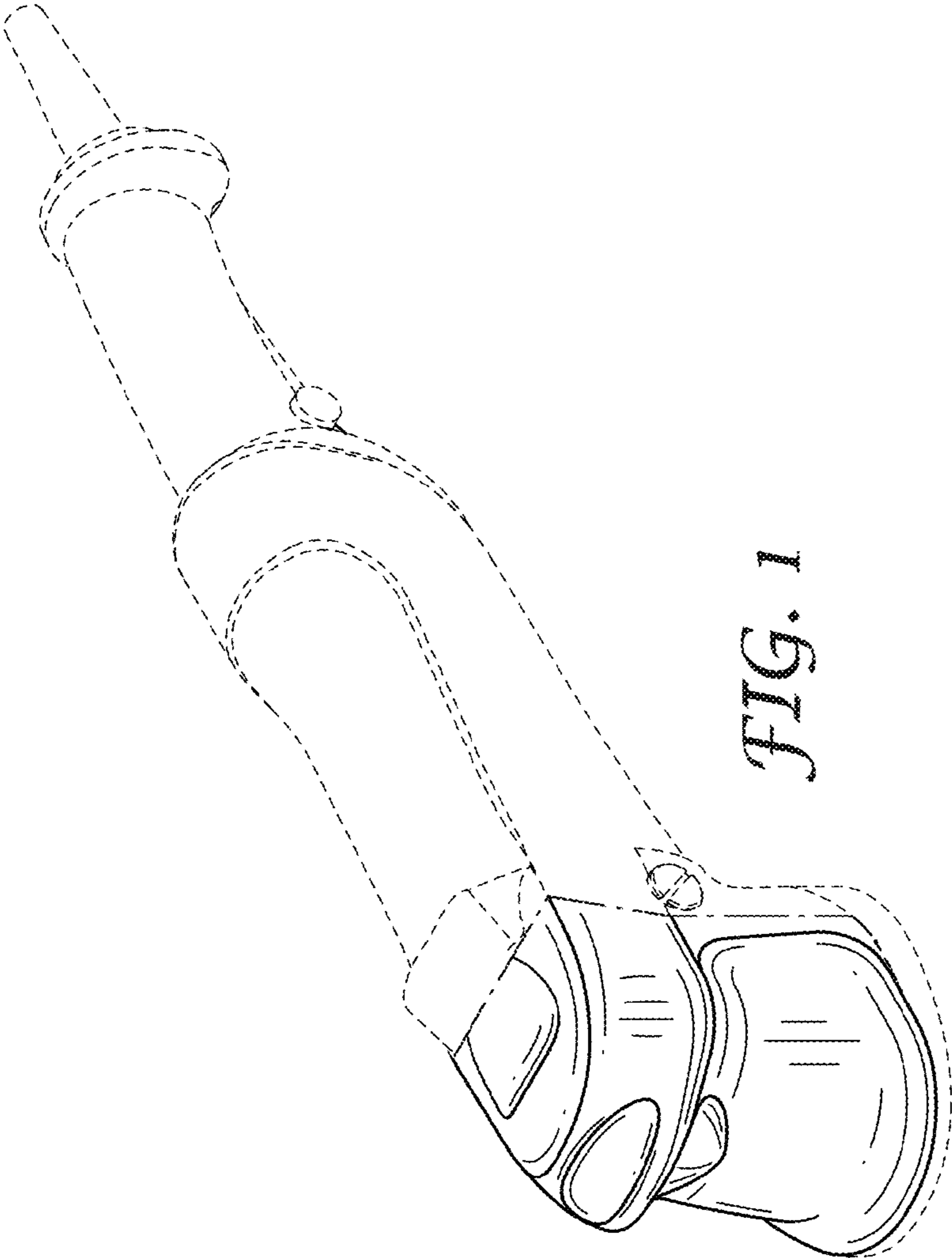


FIG. 1

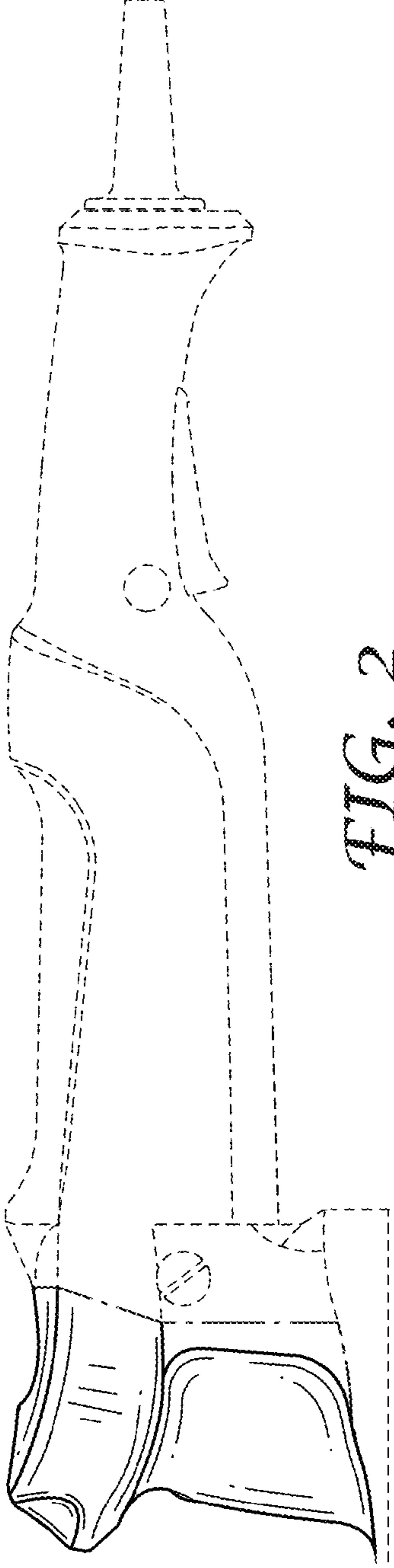


FIG. 2

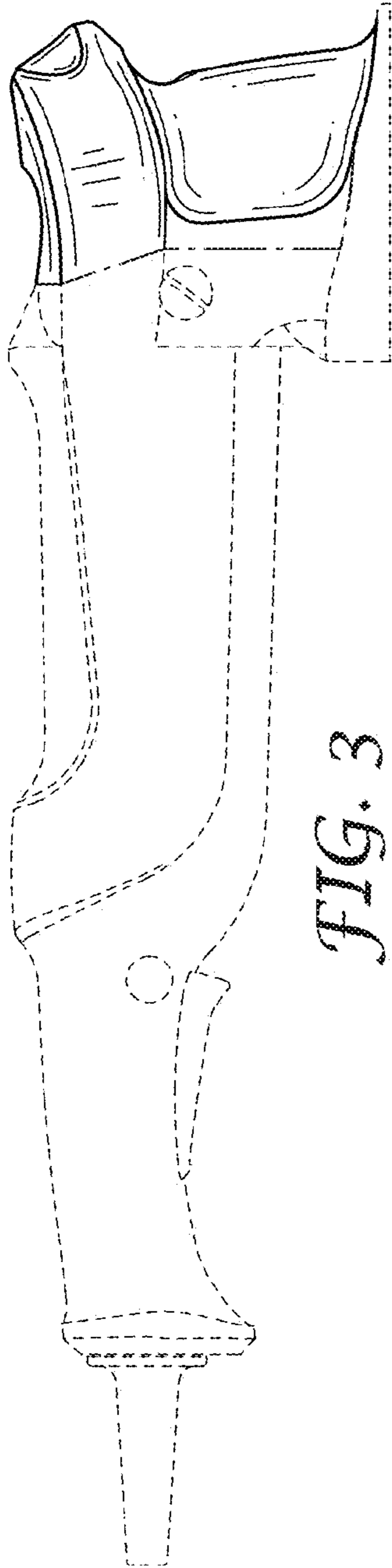


FIG. 3

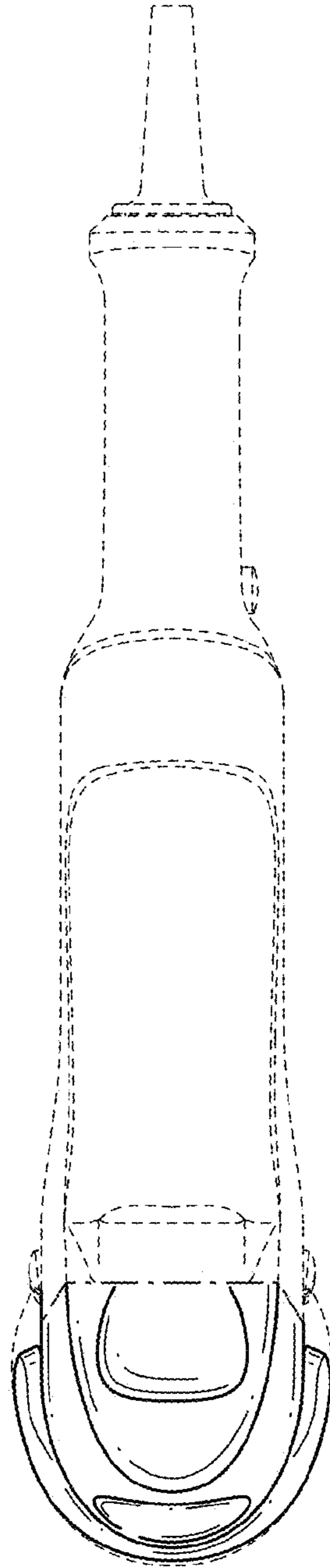


FIG. 4

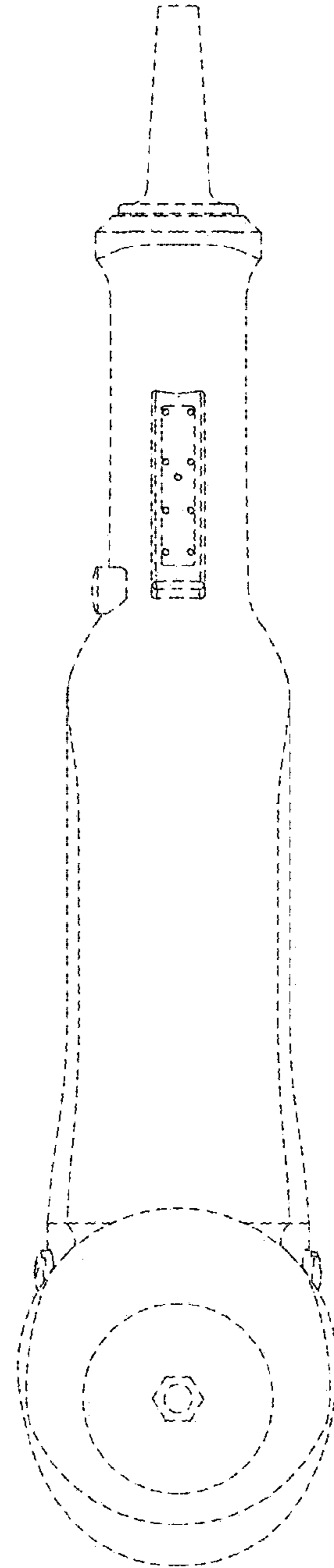


FIG. 5

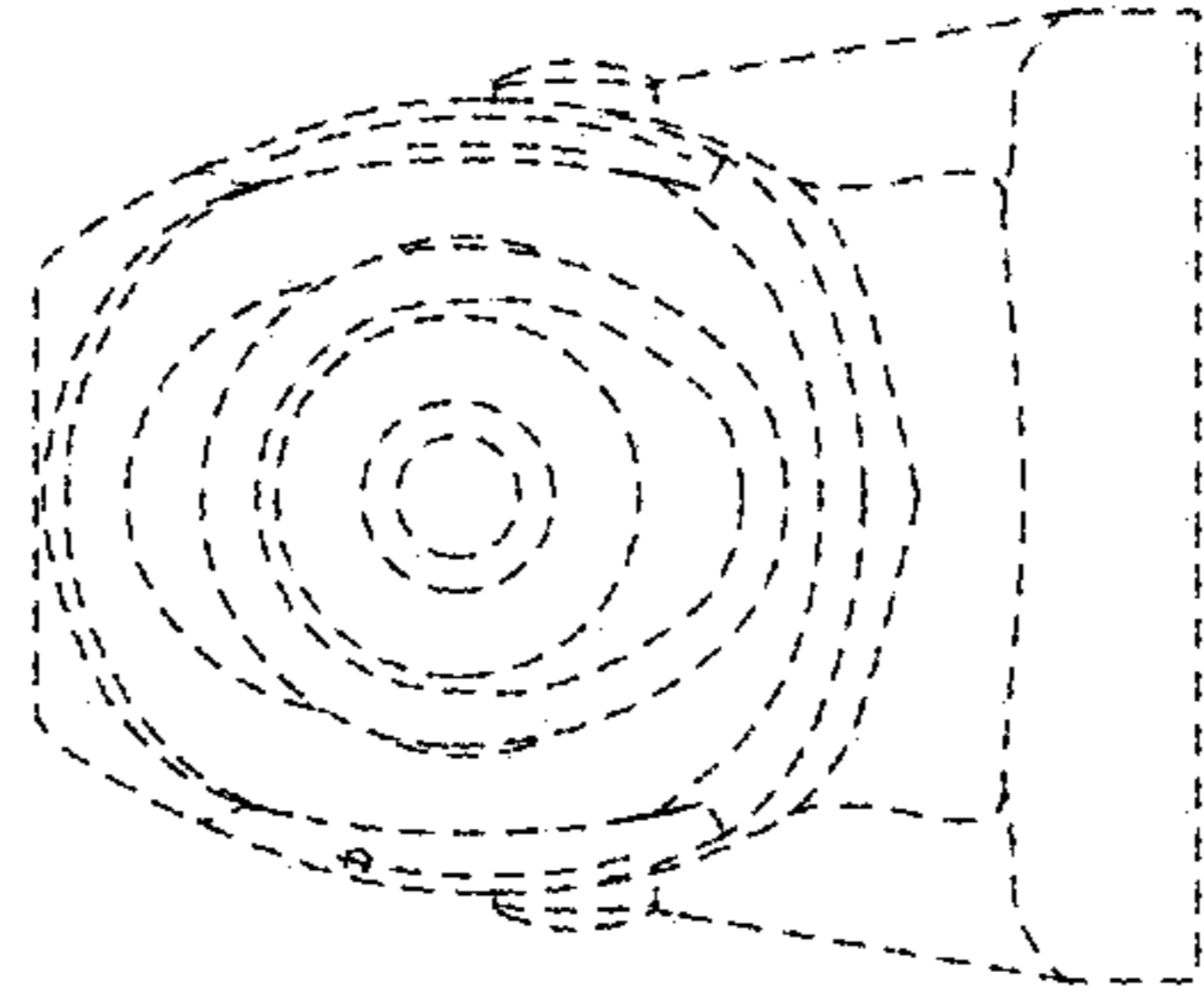


FIG. 6

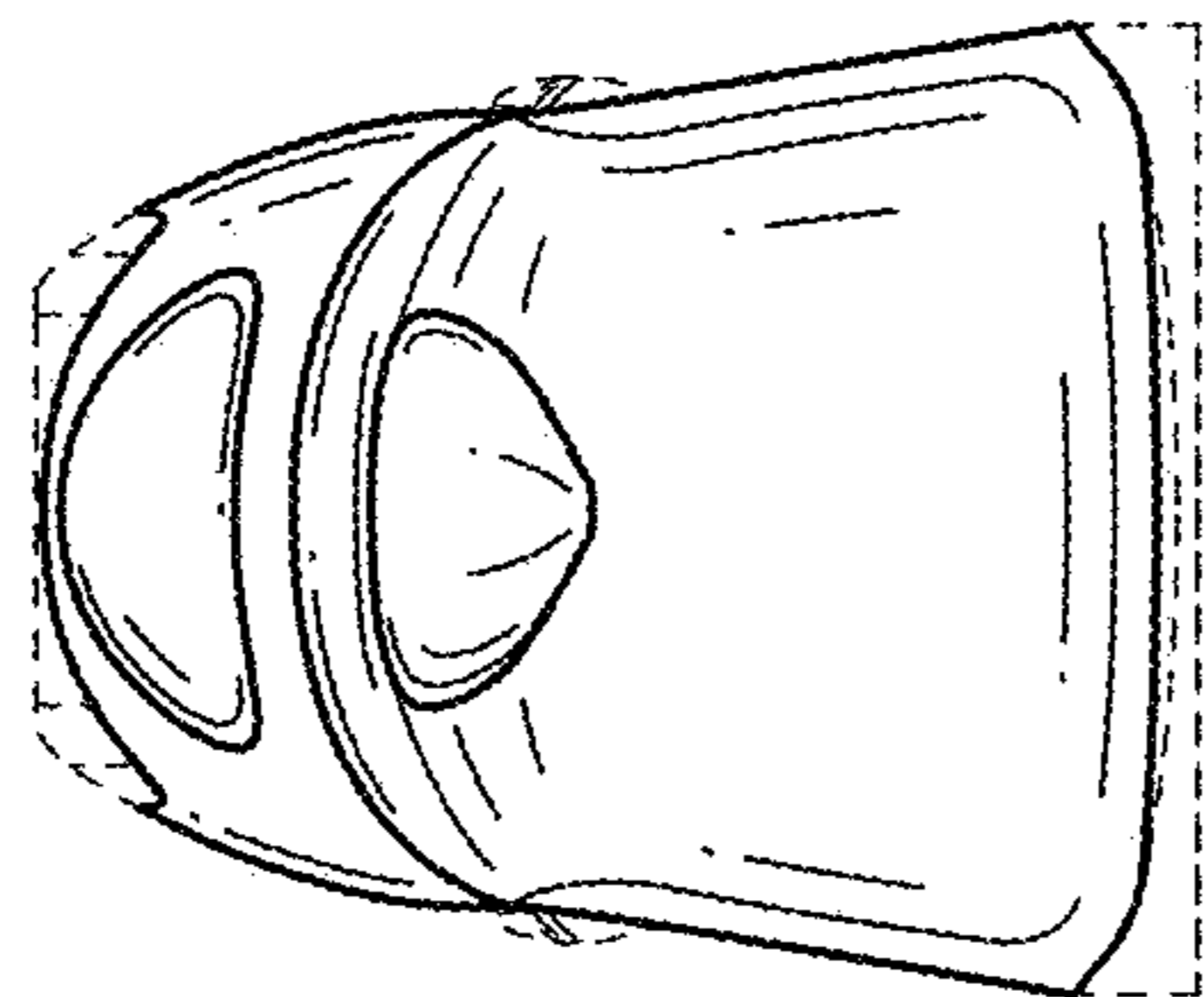


FIG. 7