



US00D951731S

(12) **United States Design Patent** (10) **Patent No.:** **US D951,731 S**
Blumenthal et al. (45) **Date of Patent:** **** May 17, 2022**

(54) **PLIERS**

(56)

References Cited

(71) Applicant: **Milwaukee Electric Tool Corporation**,
Brookfield, WI (US)

U.S. PATENT DOCUMENTS

(72) Inventors: **Aaron S. Blumenthal**, Shorewood, WI
(US); **Christopher S. Hoppe**,
Cedarburg, WI (US); **Aaron M.**
Williams, Milwaukee, WI (US)

2,280,005	A	4/1942	Petersen
2,285,683	A	6/1942	Seashore
2,584,353	A	2/1952	Keiser
RE24,465	E	4/1958	Waterbury
2,853,910	A	9/1958	Petersen
3,908,490	A	9/1975	Durham
4,044,413	A	8/1977	Tucker
D260,476	S	9/1981	Knaus
5,964,130	A	10/1999	Wang
6,282,996	B1	9/2001	Berg et al.
D462,247	S	9/2002	Hackman
6,450,070	B1	9/2002	Winkler
6,591,719	B1	7/2003	Poole et al.
6,626,070	B2	9/2003	Peperkorn et al.
6,748,829	B2	6/2004	Seber et al.
6,776,072	B2	8/2004	Poole et al.
6,857,342	B2	2/2005	Wang
6,889,579	B1	5/2005	Brown
6,941,844	B2	9/2005	Hile
6,973,859	B2	12/2005	Noniewicz
7,086,312	B1	8/2006	Tortolani
7,100,479	B2	9/2006	Seber et al.
7,134,365	B2	11/2006	Hile
7,146,887	B2	12/2006	Hunter
7,216,570	B2	5/2007	Seber et al.
7,348,453	B2	3/2008	Rozema et al.
7,363,669	B2	4/2008	Berg et al.
7,389,714	B1	6/2008	Heagerty
7,434,498	B2	10/2008	Johnson
7,444,907	B2	11/2008	Seber et al.
7,454,999	B2	11/2008	Wu
7,472,632	B2	1/2009	Engvall et al.
D588,890	S	3/2009	Picaza Ibarrodo
D599,637	S	9/2009	Valencia
7,721,630	B2	5/2010	Hunter
7,726,217	B2	6/2010	Engvall et al.
7,730,810	B1	6/2010	Janson
7,748,298	B2	7/2010	Brown
7,861,622	B2	1/2011	Chervenak et al.
D635,427	S	4/2011	Chervenak et al.
D635,428	S	4/2011	Lucas
7,992,470	B2	8/2011	Brown
8,024,998	B1	9/2011	Valencia
8,056,451	B2	11/2011	Chervenak et al.
D651,060	S *	12/2011	Chervenak D8/52
D653,092	S	1/2012	Carra
8,122,792	B2	2/2012	Engvall et al.
8,186,246	B2	5/2012	Niven
8,225,700	B2	7/2012	Hile

(73) Assignee: **Milwaukee Electric Tool Corporation**,
Brookfield, WI (US)

(**) Term: **15 Years**

(21) Appl. No.: **29/765,030**

(22) Filed: **Jan. 5, 2021**

Related U.S. Application Data

(62) Division of application No. 29/683,160, filed on Mar.
11, 2019, now Pat. No. Des. 910,395.

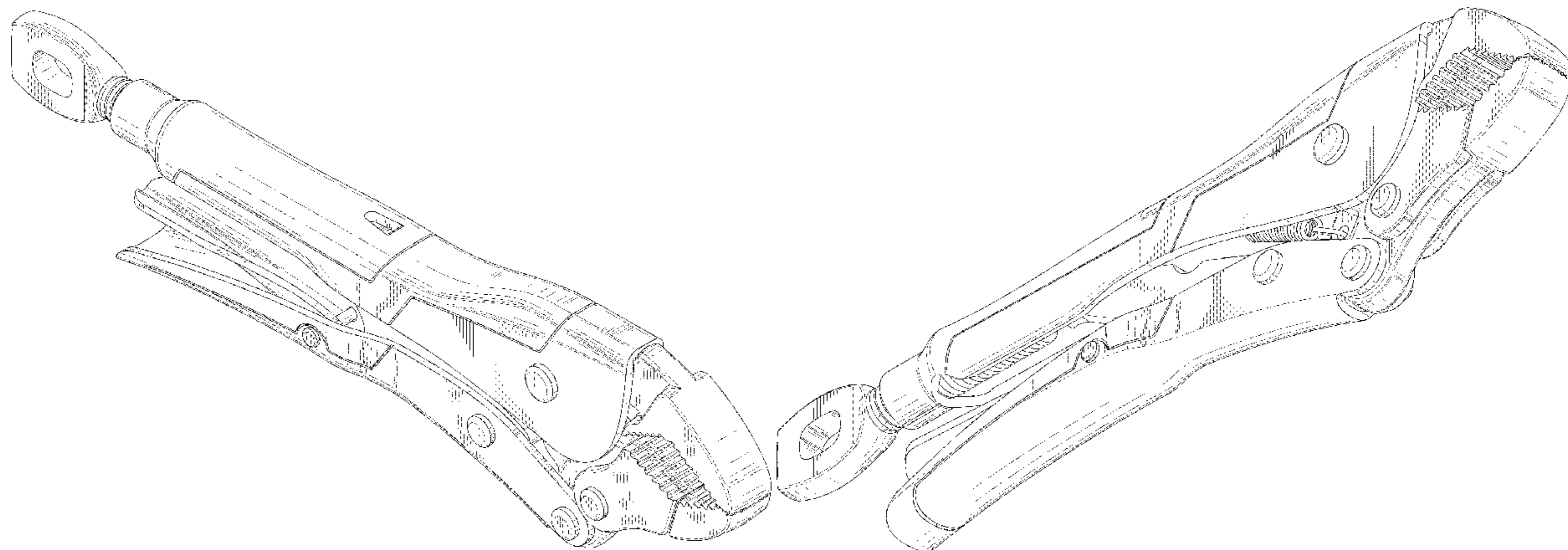
(51) **LOC (13) Cl.** **08-05**

(52) **U.S. Cl.**
USPC **D8/52**

(58) **Field of Classification Search**

USPC D8/14, 16, 17, 21-29, 51-55
CPC B25B 13/14; B25B 13/06; B25B 13/04;
B25B 13/46; B25B 13/00; B25B 7/02;
B25B 13/48; B25B 13/16; B25B 13/505;
B25B 13/5058; B25B 23/0007; B25B
13/28; B25B 23/147; B25B 13/08; B25B
13/56; B25B 23/0035; B25B 13/065;
B25B 13/465; B25B 13/463; B25B 7/10;
B25B 7/123; B25B 7/12; B25B 7/04;
B25B 23/00; B25B 5/006; B25B 7/18;
A47F 5/0006; B25H 3/006; B65D
2211/00; B23D 29/023

See application file for complete search history.



US D951,731 S

8,266,990	B1	9/2012	Janson	
8,302,512	B2	11/2012	Shih	
8,402,863	B2	3/2013	Brown	
8,408,100	B2	4/2013	Liu	
8,429,948	B1	4/2013	Warren	
8,479,618	B2	7/2013	Hsiao	
8,631,725	B2	1/2014	Tuan-Mu	
8,833,209	B2	9/2014	Brown	
8,950,299	B2	2/2015	Wu	
9,027,447	B2	5/2015	Cripps	
9,216,494	B2	12/2015	Lai	
9,242,349	B2	1/2016	Battenfeld	
D771,456	S *	11/2016	Hyma	D8/51
9,496,671	B2	11/2016	Dierks et al.	
D782,891	S	4/2017	Hyma	
9,634,451	B2	4/2017	Battenfeld	
D801,770	S	11/2017	Bridges et al.	
D803,021	S	11/2017	Wu	
9,844,857	B2	12/2017	Skodje et al.	
9,962,813	B2	5/2018	Buchanan	
D835,486	S	12/2018	Wu	
10,391,614	B1	8/2019	Aldredge	
2004/0055430	A1	3/2004	Wong	
2005/0097997	A1	5/2005	Hile	
2005/0204874	A1 *	9/2005	Chen Cheng	B25B 7/123 81/369
2005/0235786	A1 *	10/2005	Yueh-Chiang	B25B 7/123 81/367
2007/0044317	A1	3/2007	Critelli	
2008/0060486	A1 *	3/2008	Robert	B25B 7/22 81/367
2008/0173143	A1 *	7/2008	Wu	B25B 7/10 81/300
2008/0196561	A1 *	8/2008	Wu	B25B 7/123 81/329
2008/0276766	A1 *	11/2008	Phillips, Sr.	B25B 7/10 81/318
2010/0018361	A1	1/2010	Chervenak et al.	
2010/0018362	A1	1/2010	Chervenak et al.	
2010/0018363	A1 *	1/2010	Chervenak	B25B 7/123 81/324
2010/0186558	A1	7/2010	Hile	
2010/0218648	A1 *	9/2010	Chervenak	B25B 7/123 81/326
2011/0107880	A1	5/2011	Stucky	
2011/0203421	A1	8/2011	Chervenak et al.	
2012/0031243	A1 *	2/2012	Shih	B25B 7/123 81/318
2012/0096995	A1 *	4/2012	Shih	B25B 7/14 81/370
2012/0096998	A1	4/2012	Shih	
2012/0167728	A1 *	7/2012	Miramontes	B25B 7/123 81/324
2012/0318107	A1	12/2012	Mann	
2013/0014618	A1	1/2013	Wu	
2013/0047794	A1	2/2013	Huang	
2013/0192429	A1	8/2013	Cripps	
2013/0228046	A1 *	9/2013	Wu	B25B 7/02 81/9.3
2013/0239759	A1	9/2013	Huang	
2015/0000477	A1	1/2015	Wu	
2015/0217430	A1	8/2015	Wu	
2015/0239102	A1	8/2015	Wu	
2015/0246432	A1 *	9/2015	Craig	B25B 7/123 81/378
2015/0246433	A1 *	9/2015	Wu	B25B 7/123 7/132
2015/0273664	A1 *	10/2015	Skodje	B25B 7/14 81/319
2015/0283681	A1	10/2015	Wu	
2016/0039072	A1	2/2016	Wu	
2016/0129565	A1 *	5/2016	Watson	B25B 13/12 81/185.1
2016/0207175	A1	7/2016	Hyma et al.	
2017/0203413	A1 *	7/2017	Wu	B25F 1/003
2017/0203414	A1 *	7/2017	Wu	B25B 7/123
2017/0246731	A1	8/2017	Wu	
2018/0021925	A1	1/2018	Bridges et al.	

2019/0061138	A1 *	2/2019	Chang	B25H 3/006
2019/0076994	A1	3/2019	Blumenthal	
2020/0094382	A1	3/2020	Blumenthal et al.	
2020/0331123	A1 *	10/2020	Wu	B25B 7/18
2020/0368879	A1 *	11/2020	Wu	B25B 7/18
2020/0384613	A1 *	12/2020	Bendorf	B25B 7/02
2021/0008692	A1 *	1/2021	Bayle	B25B 7/10

FOREIGN PATENT DOCUMENTS

AU	5917990	A	2/1991
CA	2276121	A1	12/2000
CN	3356149	*	3/2004
CN	2706278	Y	6/2005
CN	201483397	U	5/2010
CN	302746426		10/2013
CN	203390768	U	1/2014
CN	203918820	U	11/2014
CN	104275655	A	1/2015
CN	101659041	B	3/2015
CN	102873654	B	9/2015
CN	303689154		9/2015
CN	303548590	*	1/2016
CN	104139347	B	9/2016
CN	304121603		12/2016
CN	206216529	U	6/2017
CN	304552193		10/2017
CN	305310543	*	8/2019
CN	305659366		9/2019
DE	1810295		4/1960
DE	3909603		9/1990
DE	29703681	U1	6/1997
DE	20302867	U1	5/2003
DE	102006039759		2/2008
DE	202013101985	U1	5/2013
EM	002699454-0005	*	5/2015
EP	0861707	B1	5/2002
EP	2149428	A1	2/2010
EP	2546028	B1	8/2014
EP	2801444	A1	11/2014
KR	300686777.0000		10/2011
TW	519572	U	4/2016
WO	WO 0166311		9/2001
WO	WO 2015024405		2/2015
WO	WO 2017165591	A1	9/2017

OTHER PUBLICATIONS

IRWIN Store, VISE-GRIP Curved Jaw Locking Pliers, Date first available Nov. 19, 2003, [online]retrieved Jun. 15, 2021, available from <https://www.amazon.com/gp/product/B00012FQGA?ie=UTF8&linkCode=xm2&tag=bestcoverycom-20> (Year: 2003).*

Crescent Store, Curved Jaw, Locking Pliers, Date first available May 1, 2016, [online]retrieved Jun. 15, 2021, available from https://www.amazon.com/dp/B01F1NZJKQ/ref=sspa_dk_detail_1?psc=1&pd_rd_i=B01F1NZJKQ&pd_rd_w=Dxua3&pf_rd_p=5d846283-ed3e-4512-a744-a30f97c5d738&pd_rd_wg=9EI9O&pf_rd_r=0HPV53A1JDZ5TFS0J (Year: 2016).*

STEELHE Store, Piece Locking Pliers Set, Date first available Jul. 4, 2019, [online]retrieved Jun. 15, 2021, available from https://www.amazon.com/3-Piece-Locking-Pliers-Set-6-5/dp/B07TWP73Q4/ref=pd_sbs_12/130-4064296-2864548?pd_rd_w=4w5ct&pf_rd_p=a5925d26-9630-40f3-a011-d858608ac88b&pf_rd_r=9M0A04V73ECQRNPGV (Year: 2019).*

Monster & Master, Curved Jaw Locking Plier Set, Date first available Apr. 22, 2019, [online]retrieved Sep. 23, 2021, available from https://www.amazon.com/Monster-Master-Locking-2-Piece-MM-HIP-003x2/dp/B07R2N67LC/ref=pd_di_sccai_1/134-5564337-2927451?pd_rd_w=gQTo8&pf_rd_p=c9443270-b914-4430-a90b-72e3e7e784e (Year: 2019).*

International Search Report and Written Opinion for International Application No. PCT/US2018/050474 dated Jan. 4, 2019, 10 pages. Chambridge, Chambridge 10-inch Curved Jaw Locking Pliers, 10" Vise Grips, Original Locking Pliers, grip Locking Pliers. Date first

available Oct. 8, 2019, [online]retrieved May 14, 2020, available from internet, www.amazon.com (Year: 2019).

Milwaukee, 4" Torque Lock™ Curved Jaw Locking Pliers. [online]retrieved May 22, 2020, available from internet, <https://www.milwaukeetool.com/Products/Hand-Tools/Pliers/Locking-Pliers/48-22-3423> (Year: 2020).

Milwaukee, Milwaukee 48-22-3420 10 in. Locking Pliers Curved Jaw, Date first available May 9, 2013, [online]retrieved May 21, 2020, available from internet, www.amazon.com (Year: 2013).

Milwaukee, Milwaukee 48-22-3506 6" Long Nose Locking Pliers, Date first available Dec. 9, 2015, [online]retrieved May 21, 2020, available from internet, www.amazon.com (Year: 2015).

* cited by examiner

Primary Examiner — Keli L Hill

Assistant Examiner — Sara S Sahneh

(74) *Attorney, Agent, or Firm* — Reinhart Boerner Van Deuren s.c.

(57) **CLAIM**

We claim the ornamental design for pliers, as shown and described.

DESCRIPTION

FIG. 1 is a perspective view of the first embodiment from above of the claimed design;

FIG. 2 is a perspective view from below of the claimed design of FIG. 1;

FIG. 3 is a front view of the claimed design of FIG. 1;

FIG. 4 is a rear view of the claimed design of FIG. 1;

FIG. 5 is a left side view of the claimed design of FIG. 1;

FIG. 6 is a right side view of the claimed design of FIG. 1;

FIG. 7 is a top view of the claimed design of FIG. 1; and

FIG. 8 is a bottom view of the claimed design of FIG. 1.

FIG. 9 is a perspective view from above of the second embodiment of the claimed design;

FIG. 10 is a perspective view from below of the claimed design of FIG. 9;

FIG. 11 is a front view of the claimed design of FIG. 9;

FIG. 12 is a rear view of the claimed design of FIG. 9;

FIG. 13 is a left side view of the claimed design of FIG. 9;

FIG. 14 is a right side view of the claimed design of FIG. 9;

FIG. 15 is a top view of the claimed design of FIG. 9; and

FIG. 16 is a bottom view of the claimed design of FIG. 9.

FIG. 17 is a perspective view from above of the third embodiment of the claimed design;

FIG. 18 is a perspective view from below of the claimed design of FIG. 17;

FIG. 19 is a front view of the claimed design of FIG. 17;

FIG. 20 is a rear view of the claimed design of FIG. 17;

FIG. 21 is a left side view of the claimed design of FIG. 17;

FIG. 22 is a right side view of the claimed design of FIG. 17;

FIG. 23 is a top view of the claimed design of FIG. 17; and,

FIG. 24 is a bottom view of the claimed design of FIG. 17.

The broken lines shown are included for the purposes of illustrating portions of the pliers that form no part of the claimed design.

1 Claim, 18 Drawing Sheets

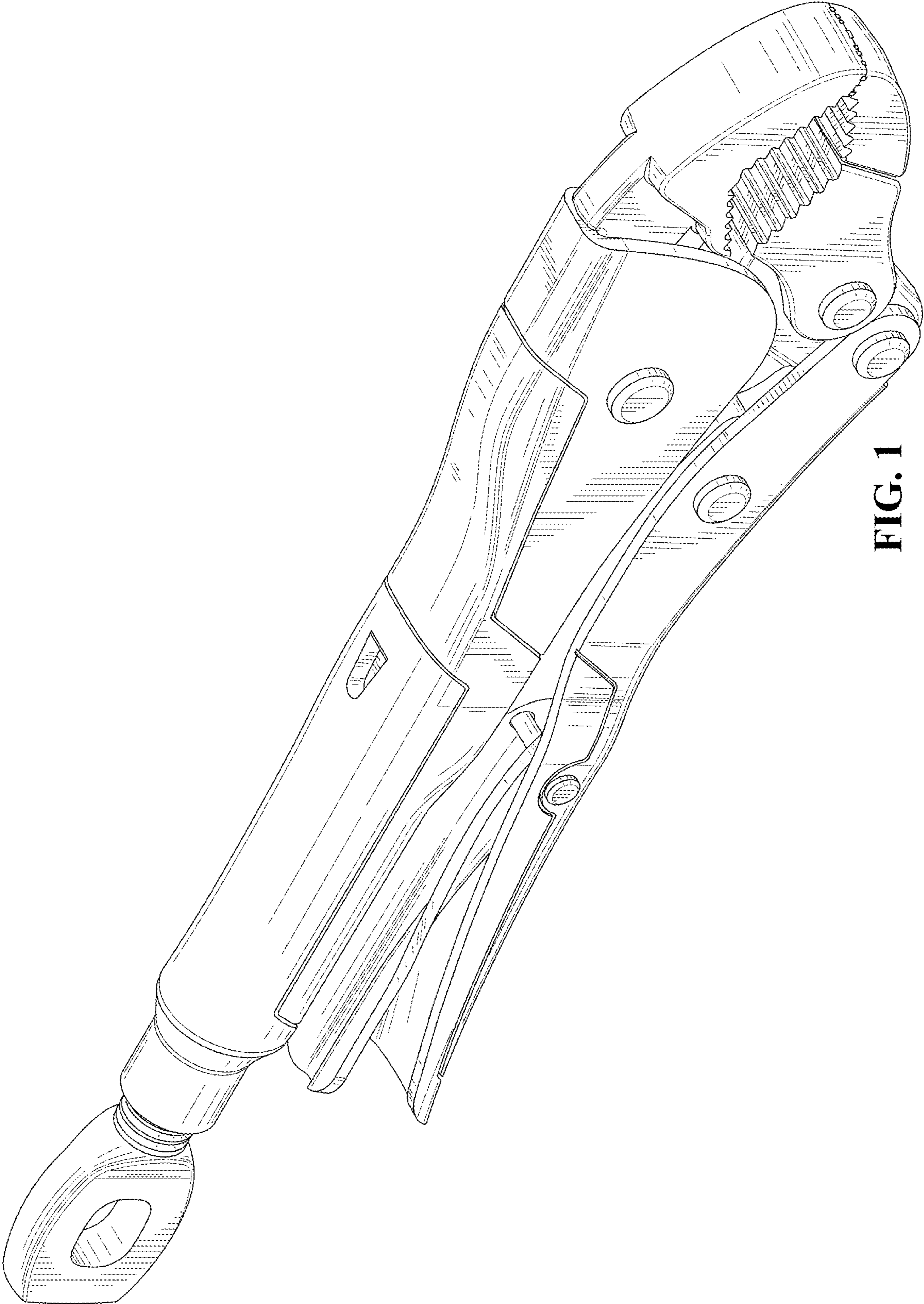


FIG. 1

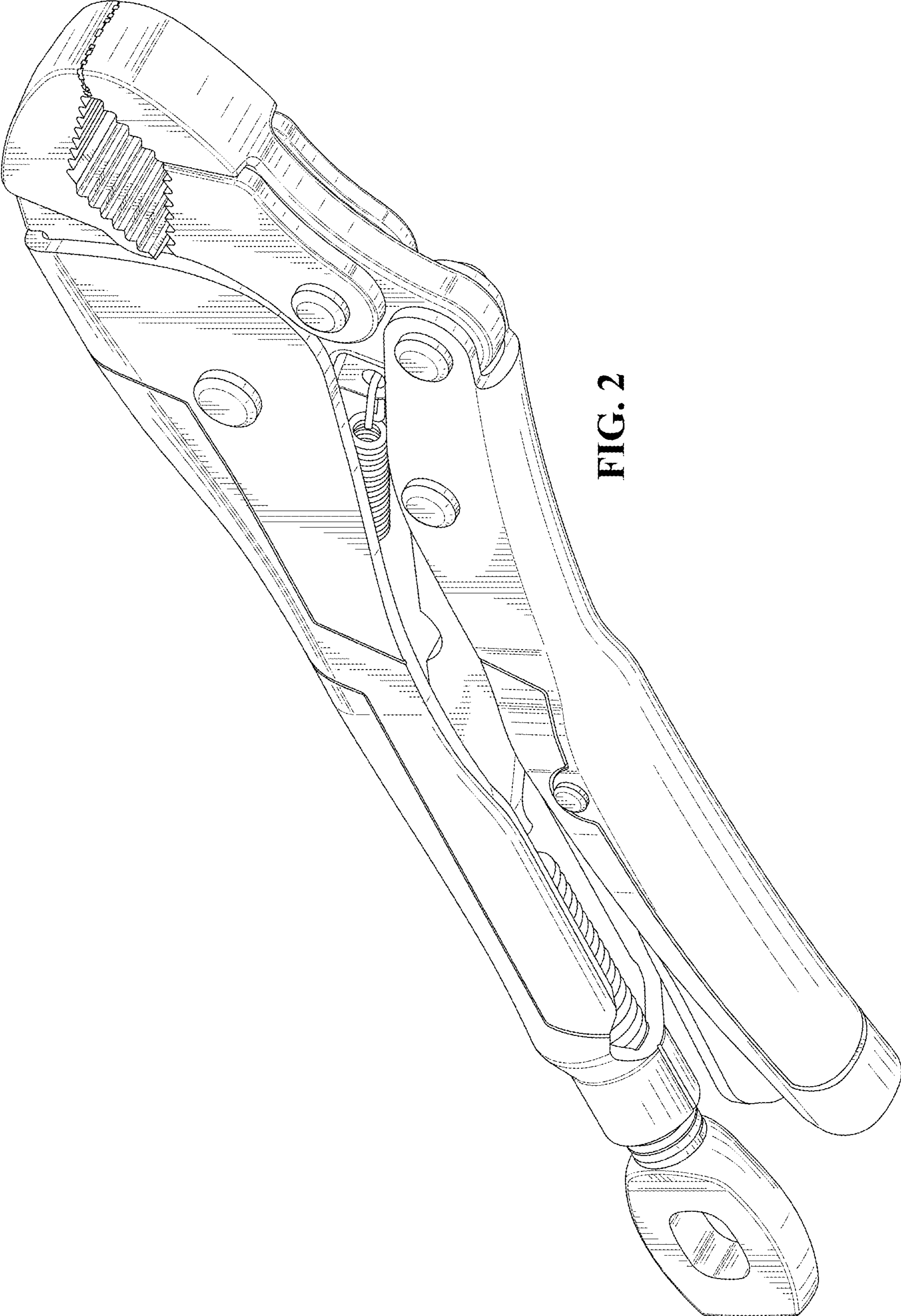


FIG. 2

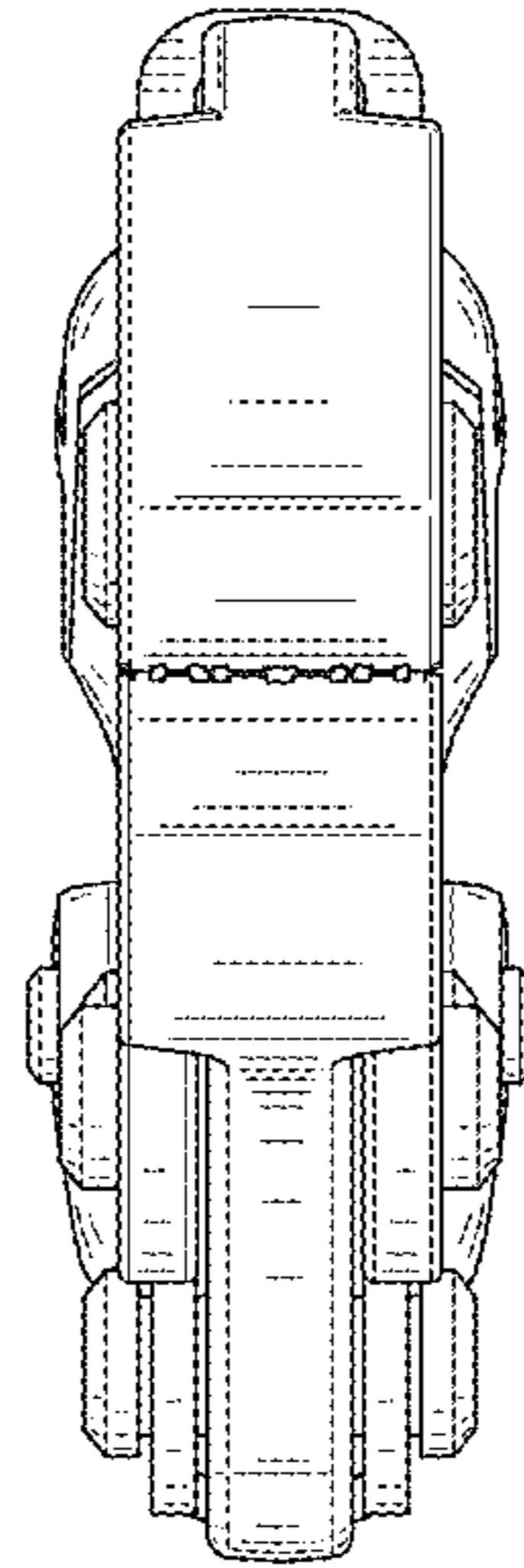


FIG. 3

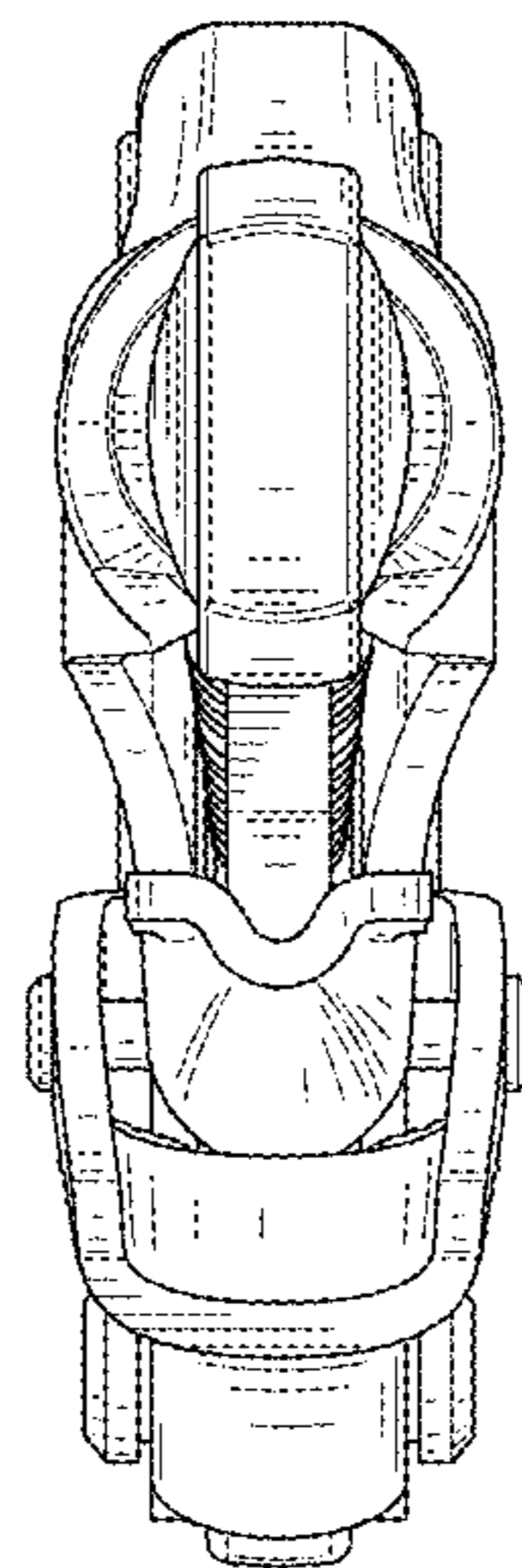


FIG. 4

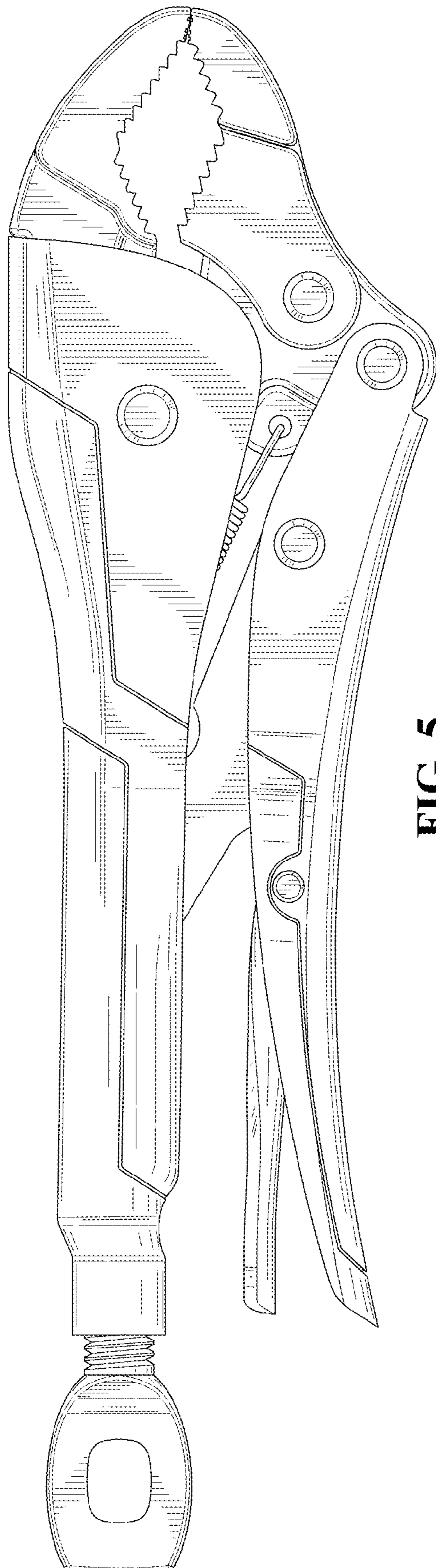


FIG. 5

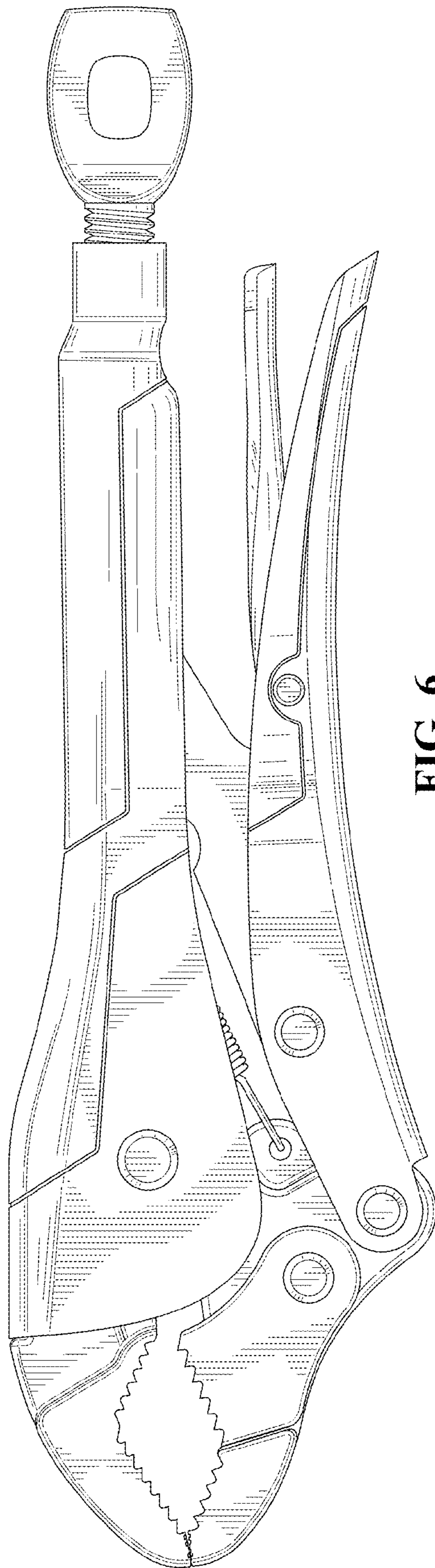


FIG. 6

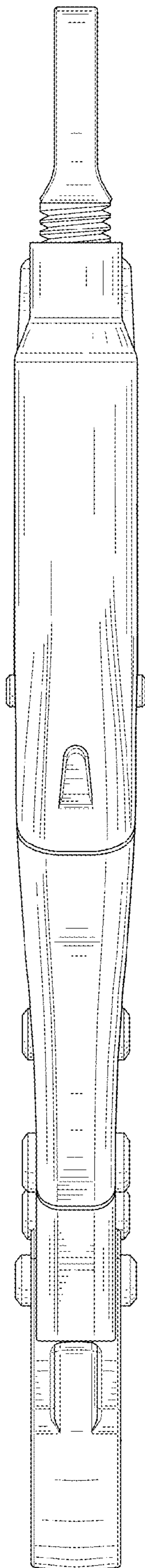


FIG. 7

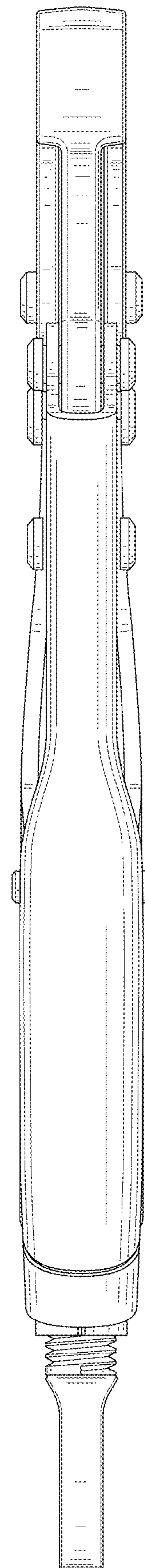


FIG. 8

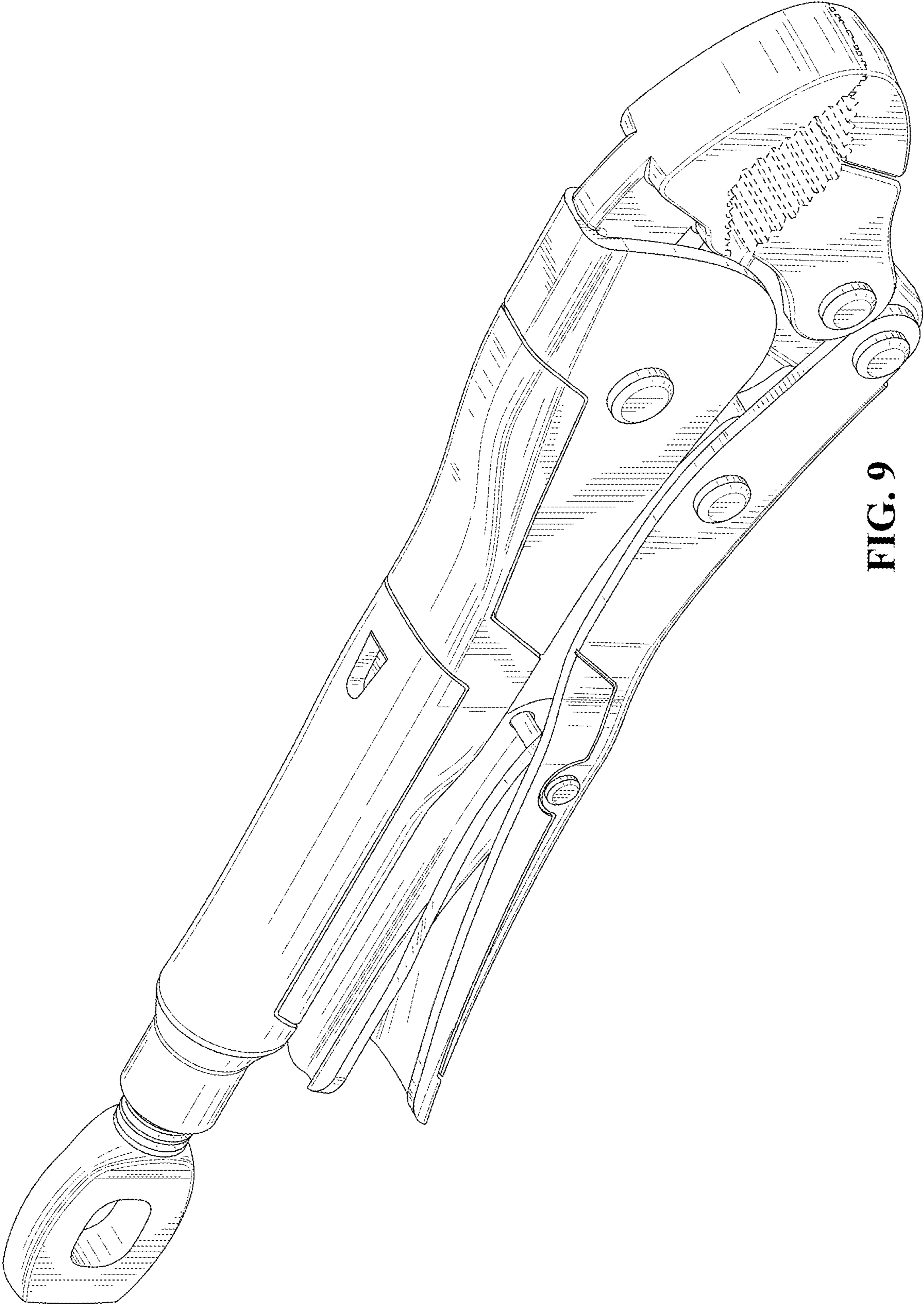


FIG. 9

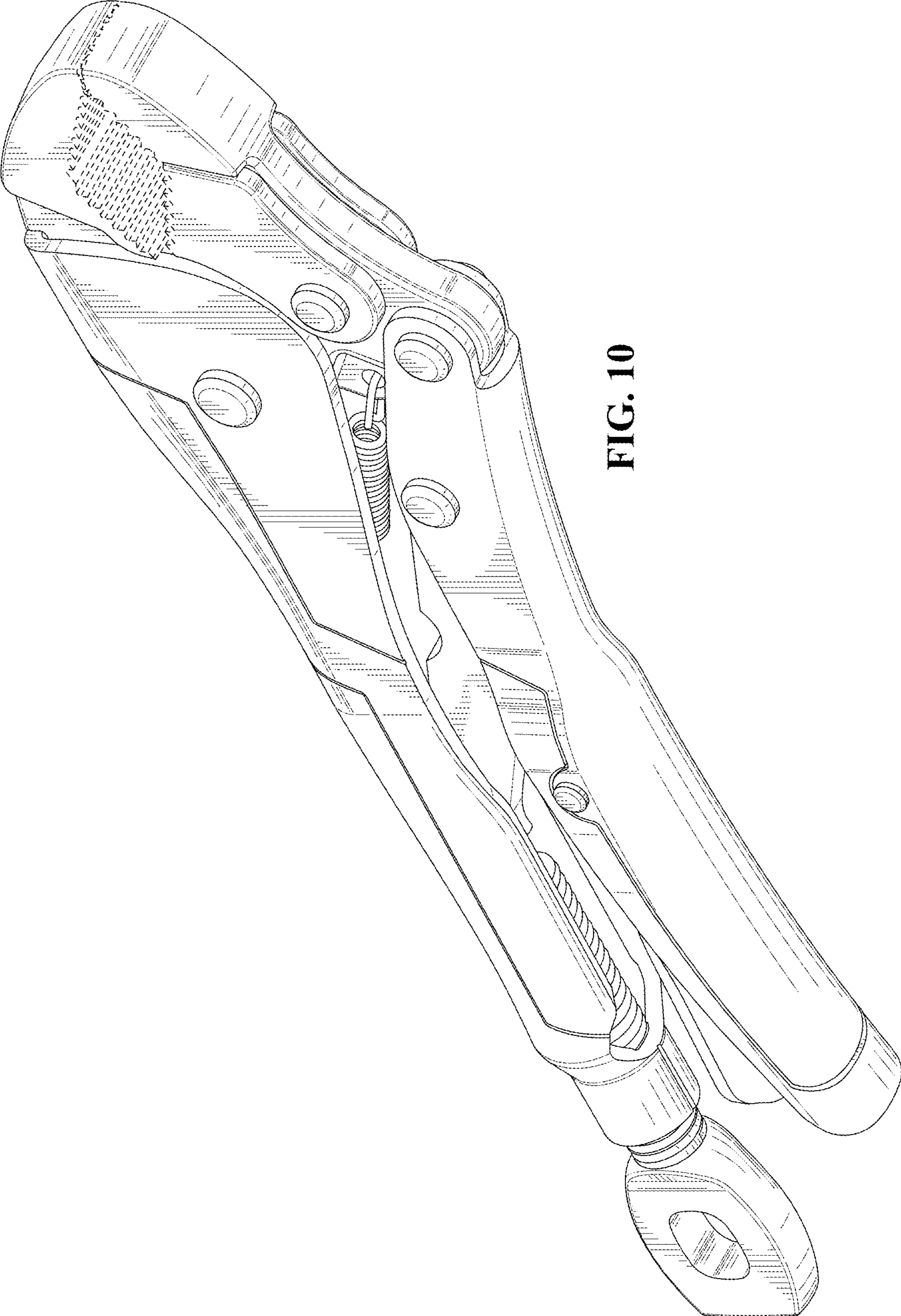


FIG. 10

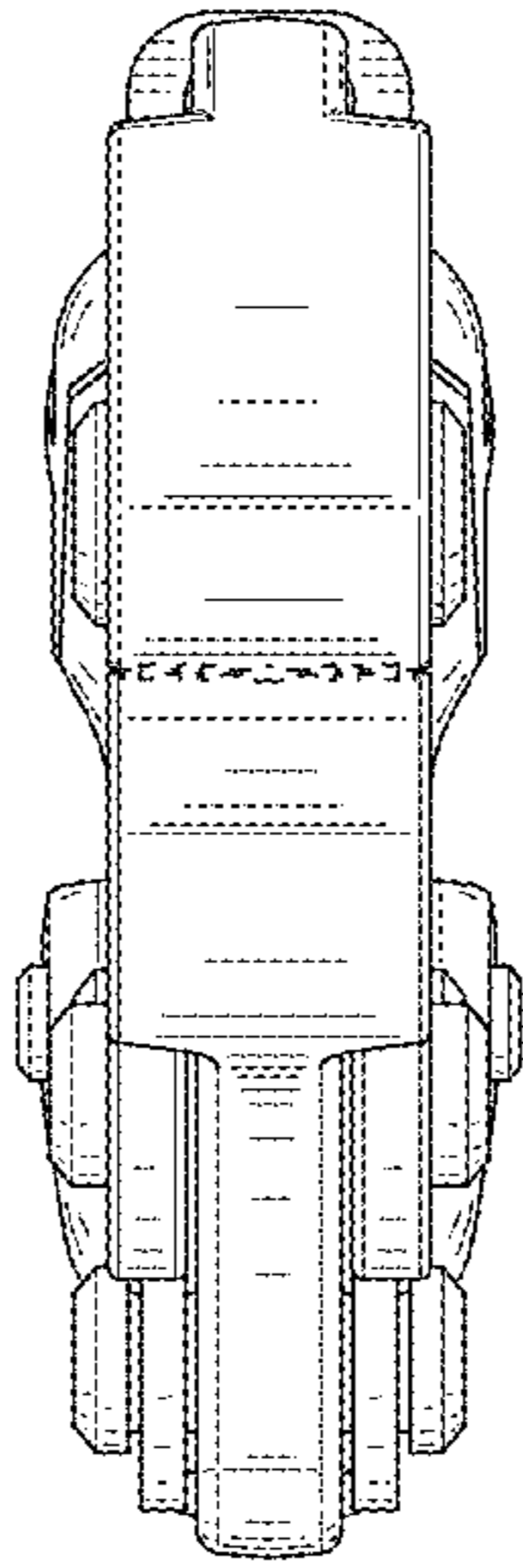


FIG. 11

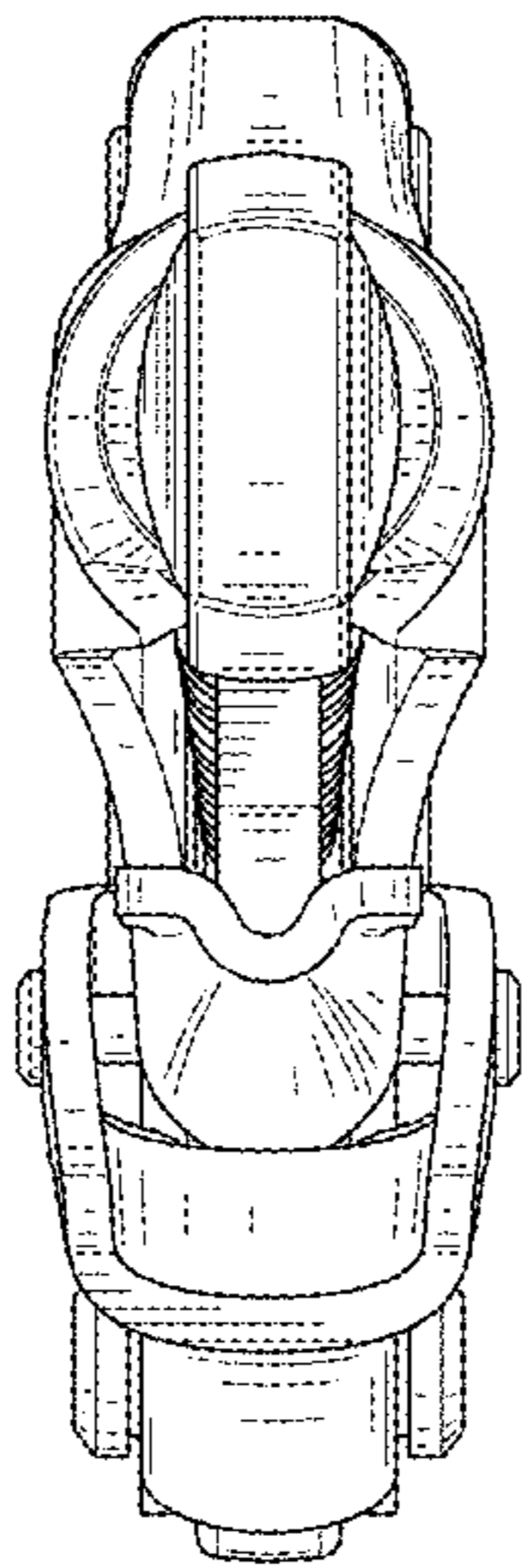


FIG. 12

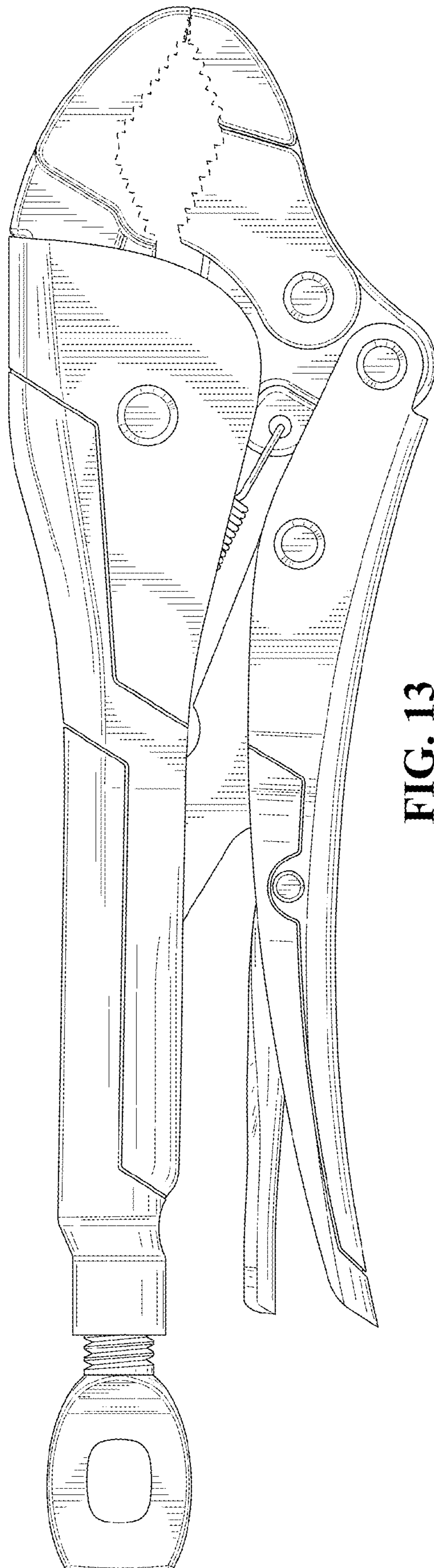


FIG. 13

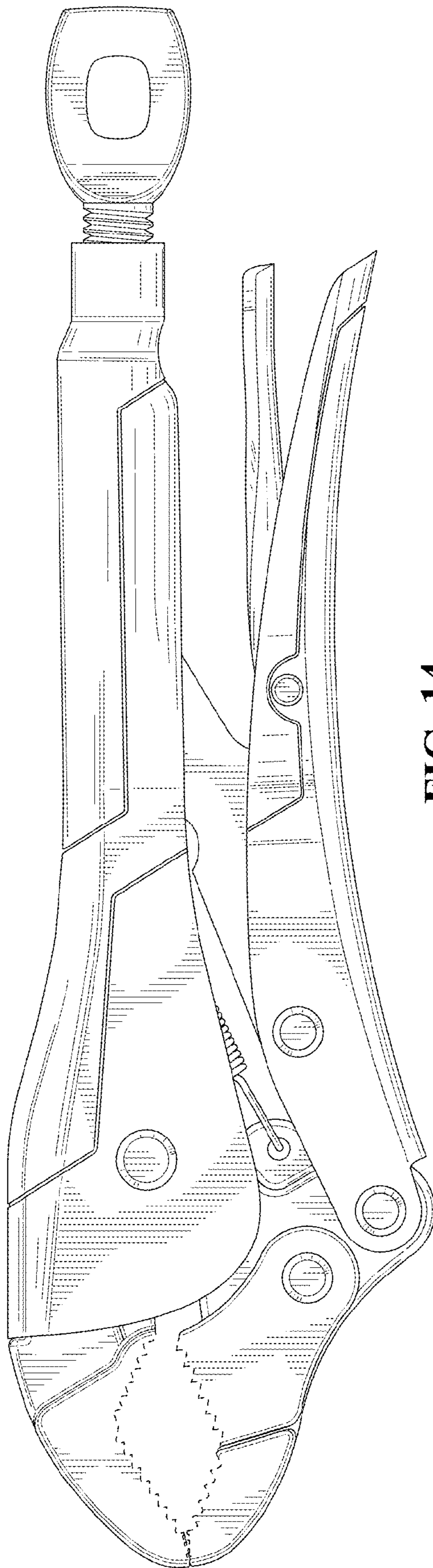


FIG. 14

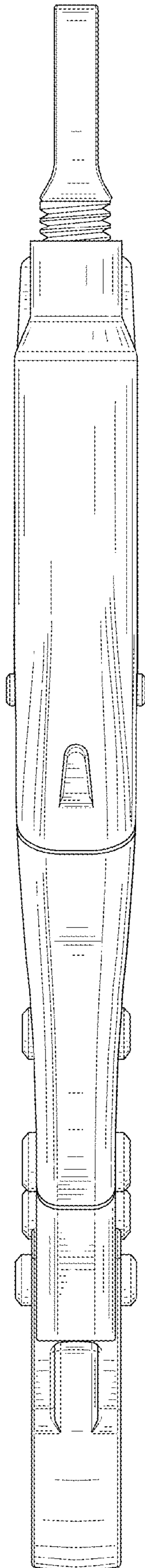


FIG. 15

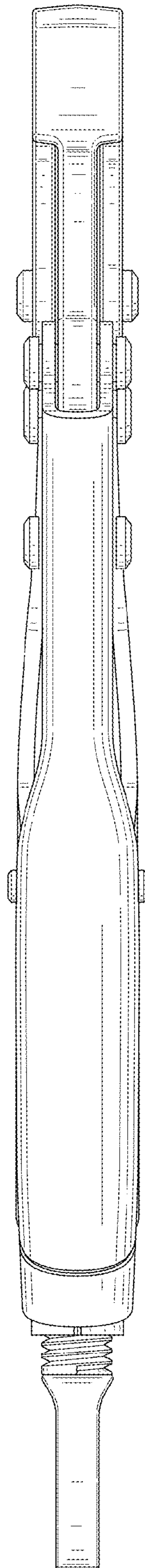


FIG. 16

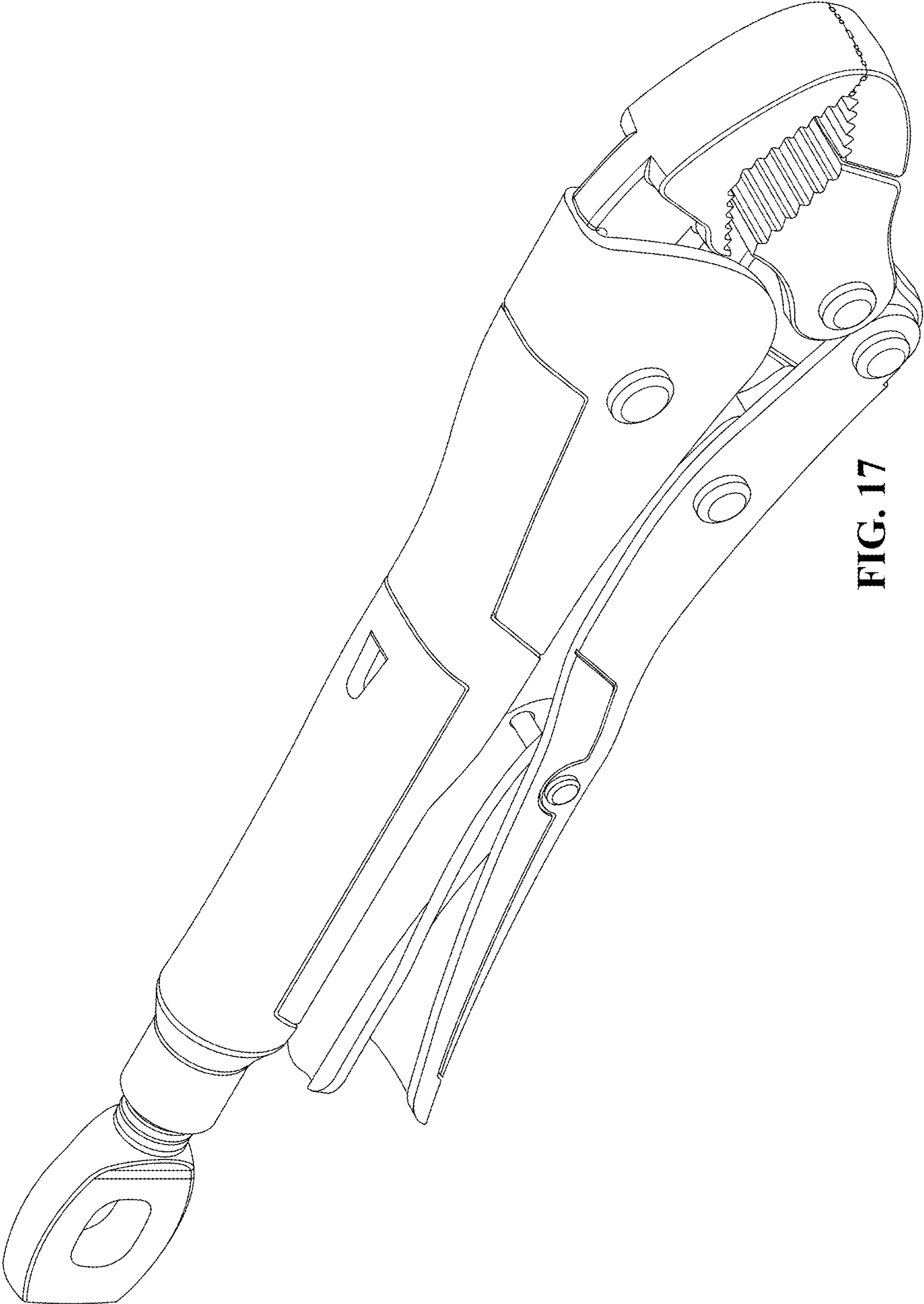


FIG. 17

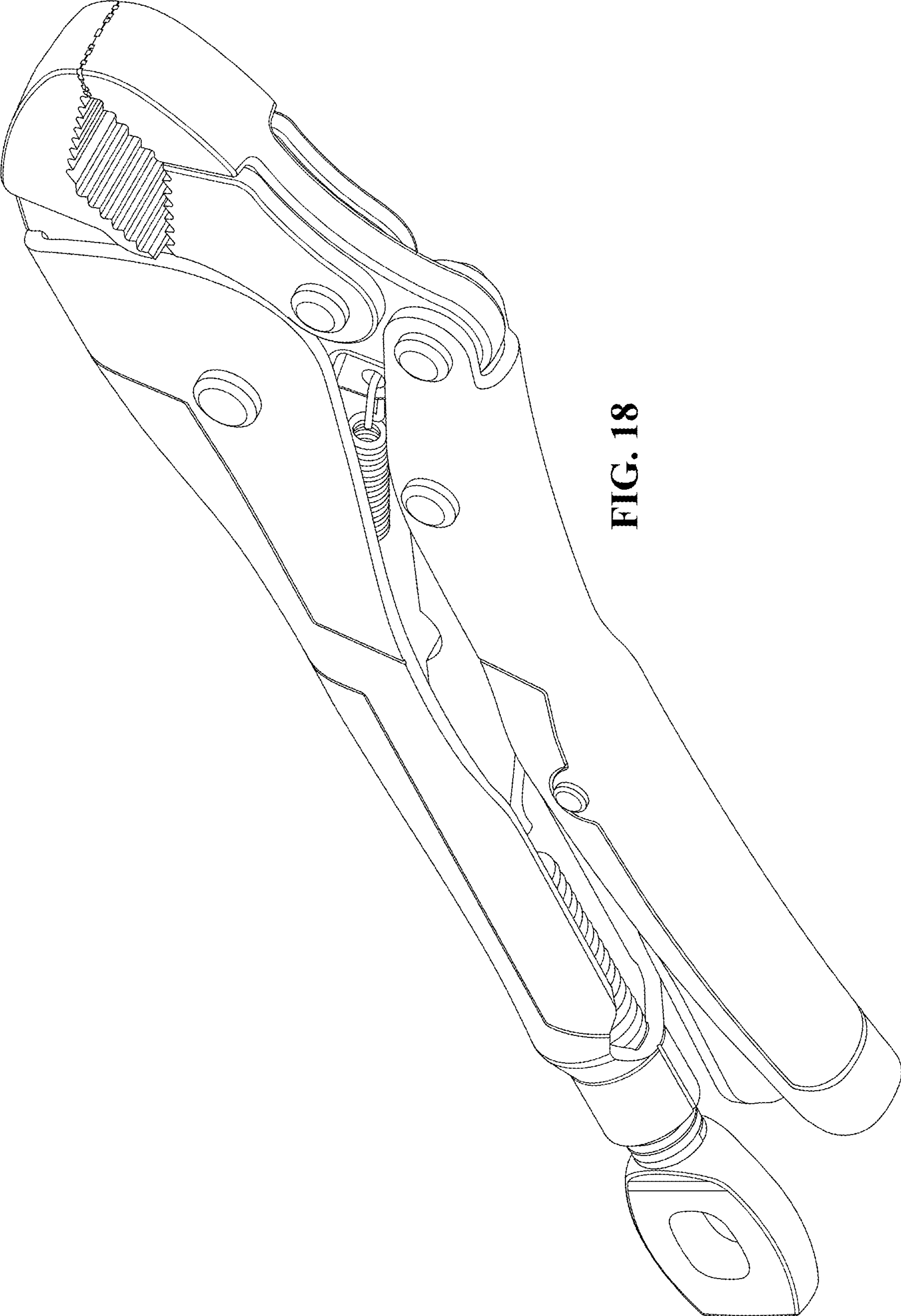


FIG. 18

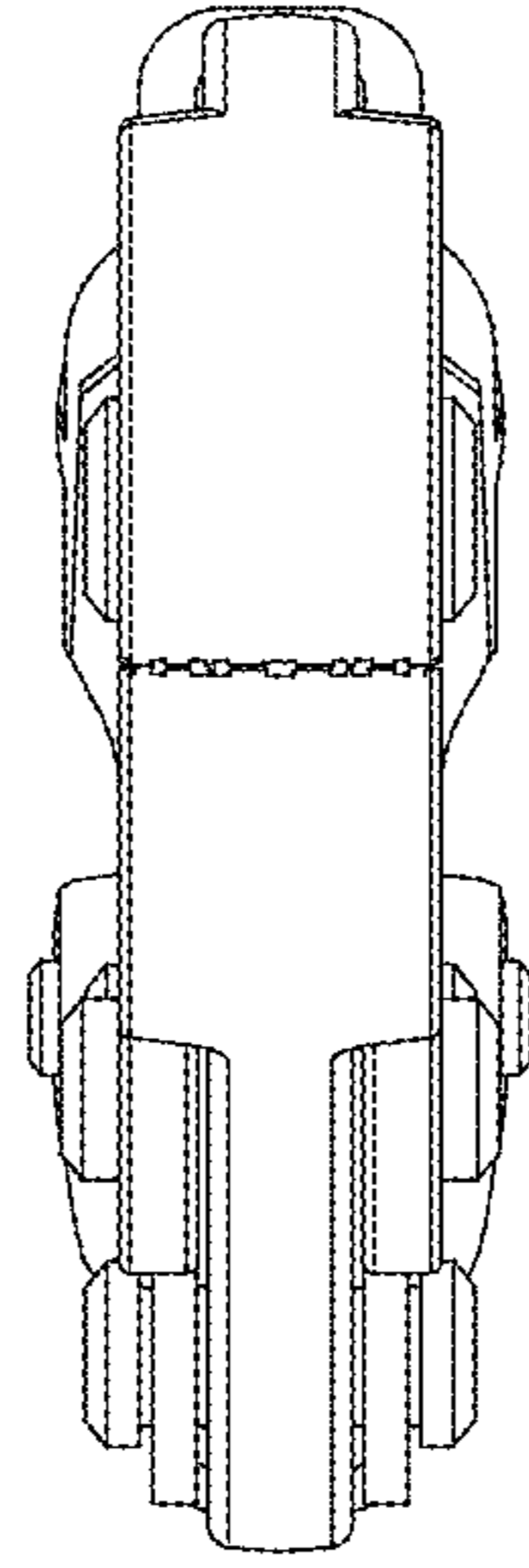


FIG. 19

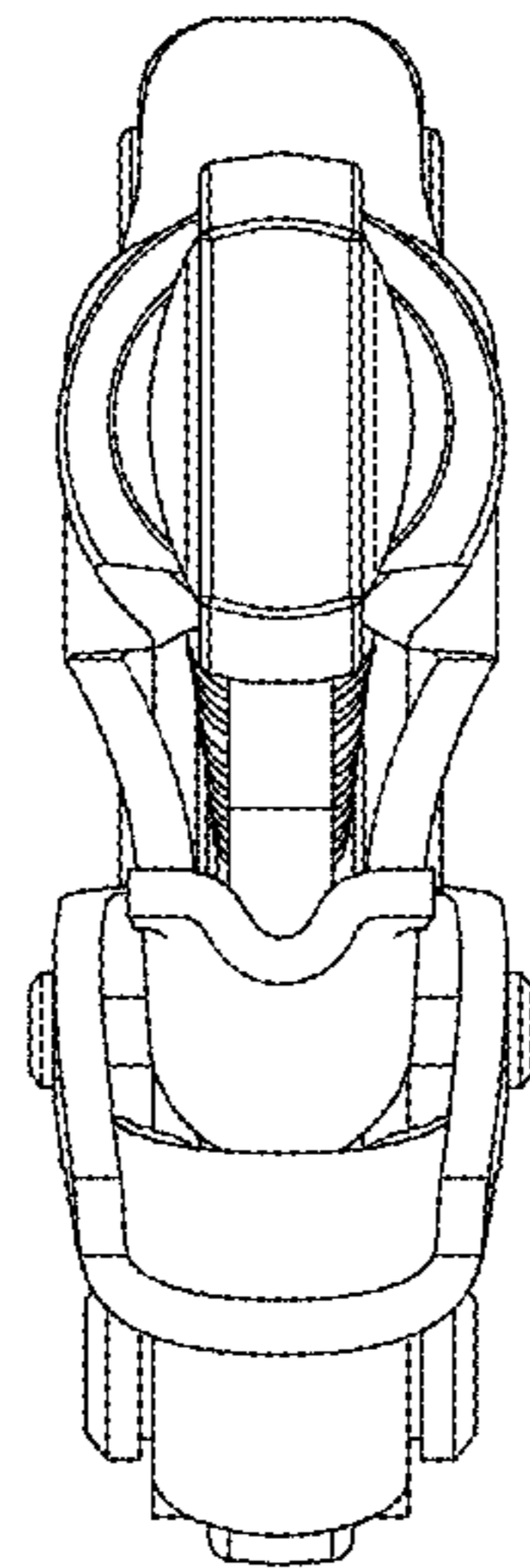


FIG. 20

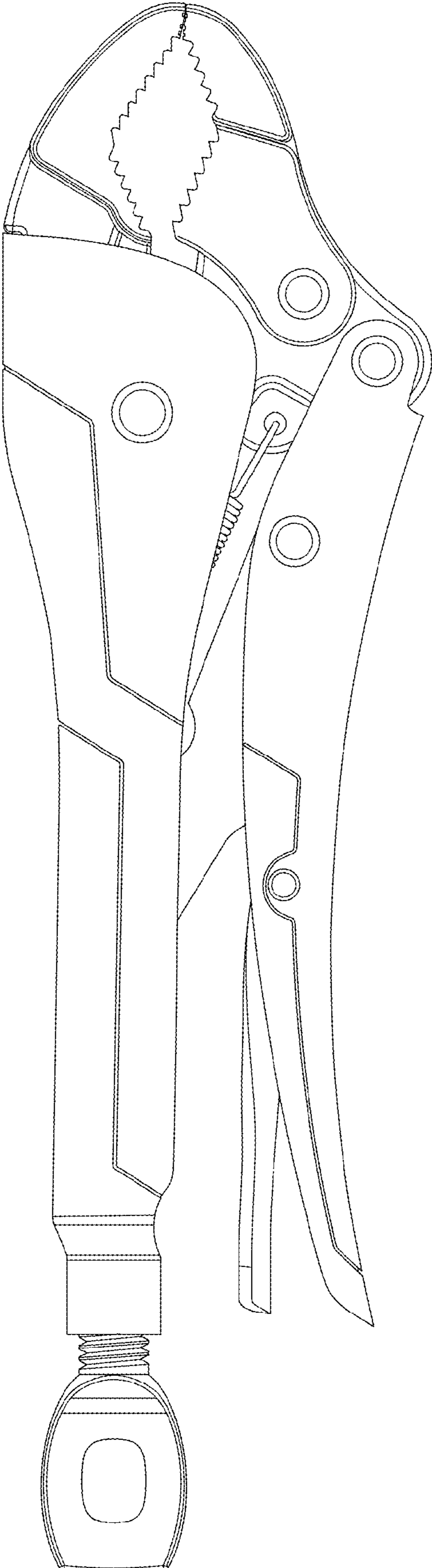


FIG. 21

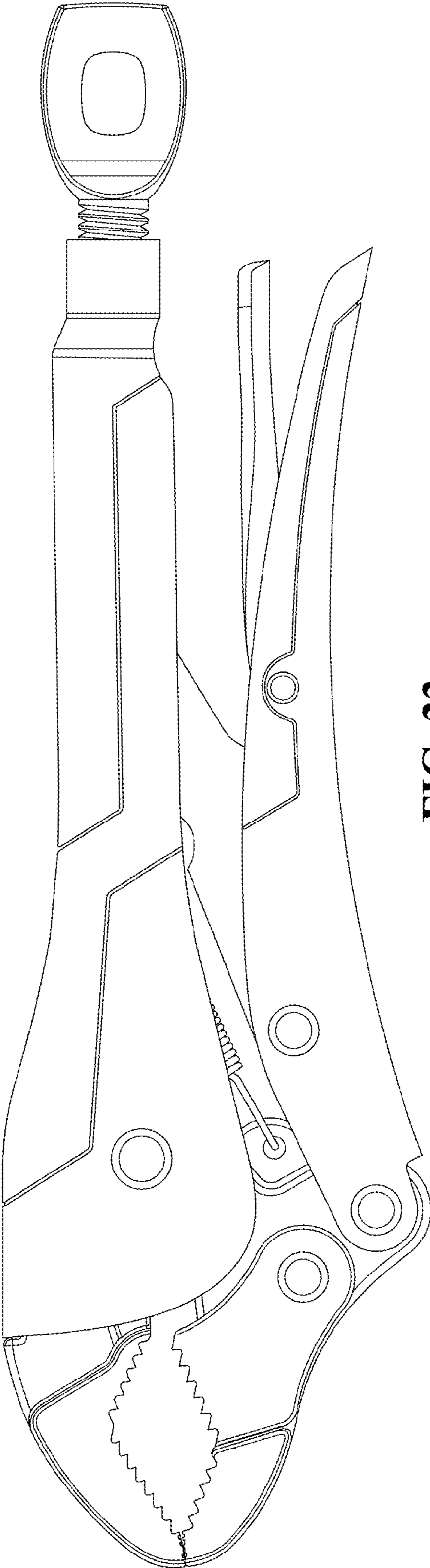


FIG. 22

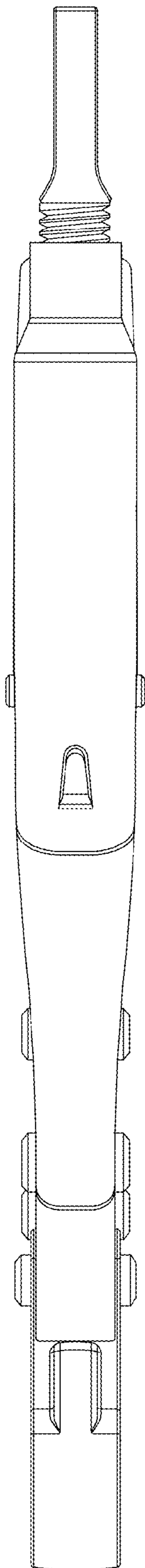


FIG. 23

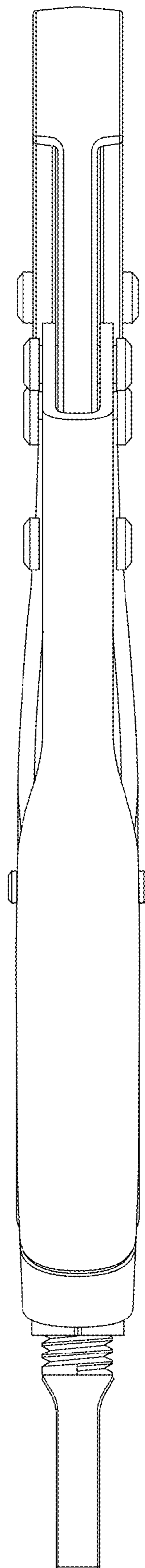


FIG. 24