



US00D951730S

(12) **United States Design Patent**  
**Zhang**

(10) **Patent No.:** **US D951,730 S**

(45) **Date of Patent:** **\*\* May 17, 2022**

(54) **SOCKET OF HAND TOOL**

FOREIGN PATENT DOCUMENTS

(71) Applicant: **Kai Zhang**, Zhangjiagang (CN)

CN 3588038 \* 11/2005

CN 301658106 \* 5/2011

(72) Inventor: **Kai Zhang**, Zhangjiagang (CN)

CN 306254187 \* 6/2020

CN 306528403 \* 10/2020

(\*\*) Term: **15 Years**

EM 004091122-0002 \* 7/2017

(Continued)

(21) Appl. No.: **29/719,631**

OTHER PUBLICATIONS

(22) Filed: **Jan. 6, 2020**

Orion Motor Tech Store, Gear Ratcheting Wrench Set, Date first available Mar. 28, 2017, [online]retrieved Jan. 18, 22, available from [https://www.amazon.com/Orion-Motor-Tech-6-Piece-Metric/dp/B06XWRKQ4H/ref=psdc\\_553410\\_t5\\_B08PCG8GG5](https://www.amazon.com/Orion-Motor-Tech-6-Piece-Metric/dp/B06XWRKQ4H/ref=psdc_553410_t5_B08PCG8GG5) (Year: 2 017).\*

(51) **LOC (13) Cl.** ..... **08-05**

(52) **U.S. Cl.**

USPC ..... **D8/29**; D8/28

(Continued)

(58) **Field of Classification Search**

USPC ..... D8/14, 17, 19, 21-29

CPC ... B25G 1/10; B25F 1/04; B25F 1/066; B67B

7/14; B67B 7/16; B67B 7/44; B25B

13/04; B25B 13/14; B25B 13/06; B25B

13/46; B25B 13/00; B25B 7/02; B25B

13/48; B25B 13/16; B25B 13/505; B25B

23/007; B25B 13/28; B66F 15/00; B66F

17/00

See application file for complete search history.

*Primary Examiner* — Keli L Hill

*Assistant Examiner* — Sara S Sahneh

(74) *Attorney, Agent, or Firm* — Raymond Chan

(57)

**CLAIM**

The ornamental design for a socket of hand tool, as shown and described.

**DESCRIPTION**

(56)

**References Cited**

U.S. PATENT DOCUMENTS

D578,361 S \* 10/2008 Chen ..... D8/25

D581,755 S \* 12/2008 Hu ..... D8/29

D624,796 S \* 10/2010 Taylor, Jr. .... D8/28

D660,666 S \* 5/2012 Chang ..... D8/25

D691,007 S \* 10/2013 Hsieh ..... D8/27

D781,118 S \* 3/2017 Rauckman ..... D8/28

D785,422 S \* 5/2017 Liu ..... D8/25

D863,008 S \* 10/2019 Moreau ..... D8/28

2009/0151507 A1 \* 6/2009 Chen ..... B25B 13/04

74/575

2018/0141192 A1 \* 5/2018 Chang ..... B25B 13/065

2020/0269397 A1 \* 8/2020 Shih ..... B25B 13/04

2021/0008694 A1 \* 1/2021 Chang ..... B25B 13/463

2021/0260730 A1 \* 8/2021 Liu ..... B25B 13/463

FIG. 1 is a perspective view of socket of hand tool showing my new design.

FIG. 2 is a top view thereof;

FIG. 3 is a bottom view thereof;

FIG. 4 is a cross sectional view along the A-A line in FIG. 2;

FIG. 5 is a perspective view thereof;

FIG. 6 is a front view thereof;

FIG. 7 is a rear view thereof;

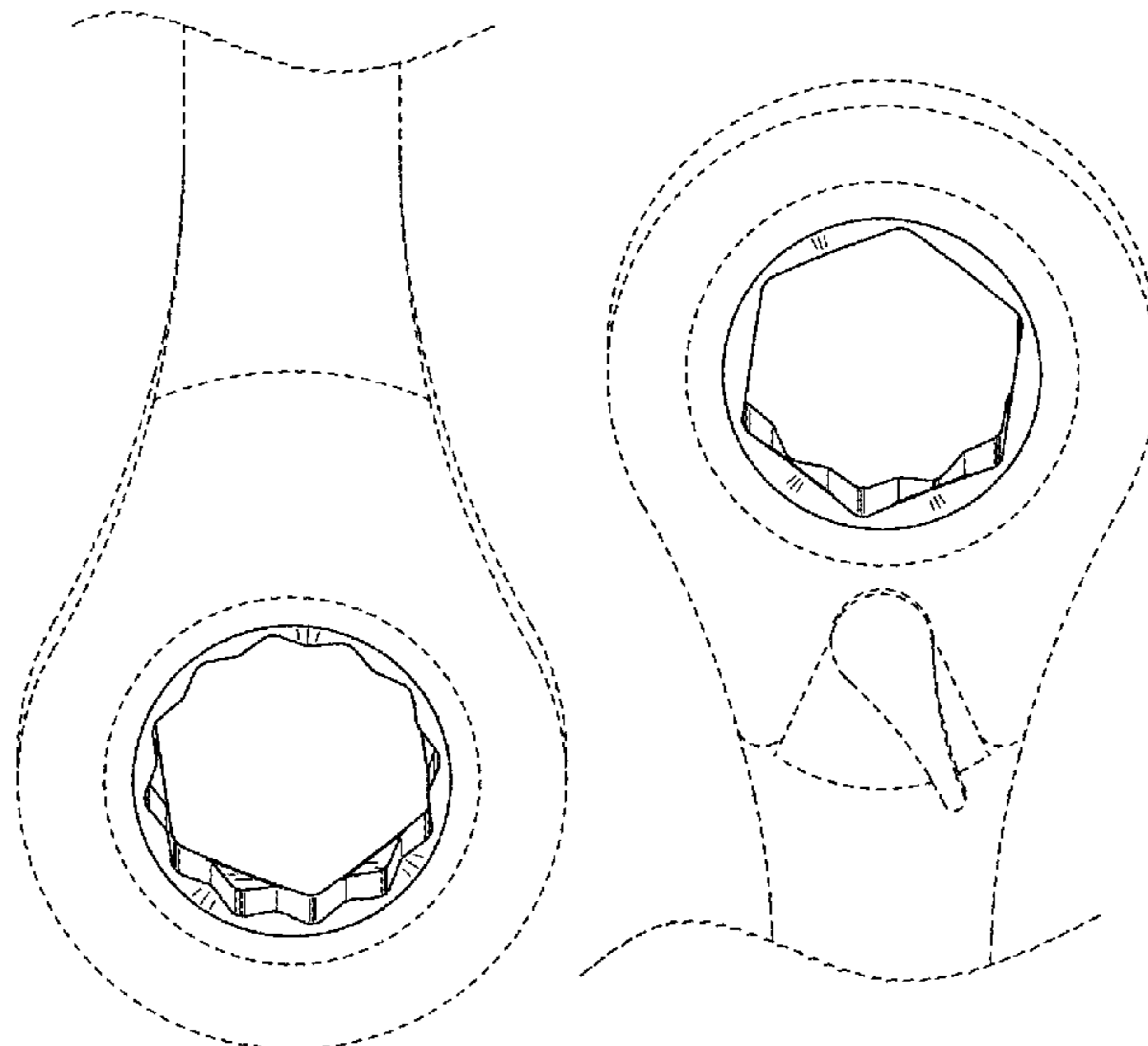
FIG. 8 is a top view thereof;

FIG. 9 is a bottom view thereof;

FIG. 10 is a partial enlargement top view thereof; and,

FIG. 11 is a partial enlargement bottom view thereof.

**1 Claim, 8 Drawing Sheets**



(56)

**References Cited**

FOREIGN PATENT DOCUMENTS

JP           D1489148       \* 8/2012  
KR       300871299.0000   \* 12/2015

OTHER PUBLICATIONS

Workpro Store, 8-piece Flex-Head Ratcheting Combination Wrench, Date first available , [online]retrieved Jun. 9, 2021,available from [https://www.amazon.com/dp/B06ZY3DG6P/ref=sspa\\_dk\\_detail\\_5?psc=1&pd\\_rd\\_i=B06ZY3DG6P&pd\\_rd\\_w=iaRnf&pf\\_rd\\_p=c1a1d435-a11f-487a-9777-0f71aeeda4f4&pd\\_rd\\_wg=MXJ3w&pf\\_rd\\_r=4DBP](https://www.amazon.com/dp/B06ZY3DG6P/ref=sspa_dk_detail_5?psc=1&pd_rd_i=B06ZY3DG6P&pd_rd_w=iaRnf&pf_rd_p=c1a1d435-a11f-487a-9777-0f71aeeda4f4&pd_rd_wg=MXJ3w&pf_rd_r=4DBP) (Year: 2021).\*

TEKTON Store, Stubby Ratcheting Combination Wrench Set, Date first available , [online]retrieved Jan. 18, 2022,available from [https://www.amazon.com/TEKTON-WRN50170-Stubby-Ratcheting-Combination/dp/B01F511BHE/ref=pd\\_di\\_sccai\\_10/134-3843409-3591640?pd\\_rd\\_w=zVt9w&pf\\_rd\\_p=c9443270-b914-4430-a90b-72e3e7e784e0&](https://www.amazon.com/TEKTON-WRN50170-Stubby-Ratcheting-Combination/dp/B01F511BHE/ref=pd_di_sccai_10/134-3843409-3591640?pd_rd_w=zVt9w&pf_rd_p=c9443270-b914-4430-a90b-72e3e7e784e0&) (Year: 2022).\*

Duratech Store, Ratcheting Combination Wrench Set, Date first available Aug. 5, 2020, [online]retrieved Jan. 18, 2022,available from [https://www.amazon.com/dp/B08FB1YJVG/ref=sspa\\_dk\\_detail\\_3?pf\\_rd\\_p=54ed5474-54a8-4c7f-a88a-45f748d18166&pd\\_rd\\_wg=moeMh&pf\\_rd\\_r=44SC0CDY95Y7JVA7S2K&pd\\_rd\\_w=J5y0t&pd\\_rd\\_r=610](https://www.amazon.com/dp/B08FB1YJVG/ref=sspa_dk_detail_3?pf_rd_p=54ed5474-54a8-4c7f-a88a-45f748d18166&pd_rd_wg=moeMh&pf_rd_r=44SC0CDY95Y7JVA7S2K&pd_rd_w=J5y0t&pd_rd_r=610) (Year: 2020).\*

\* cited by examiner

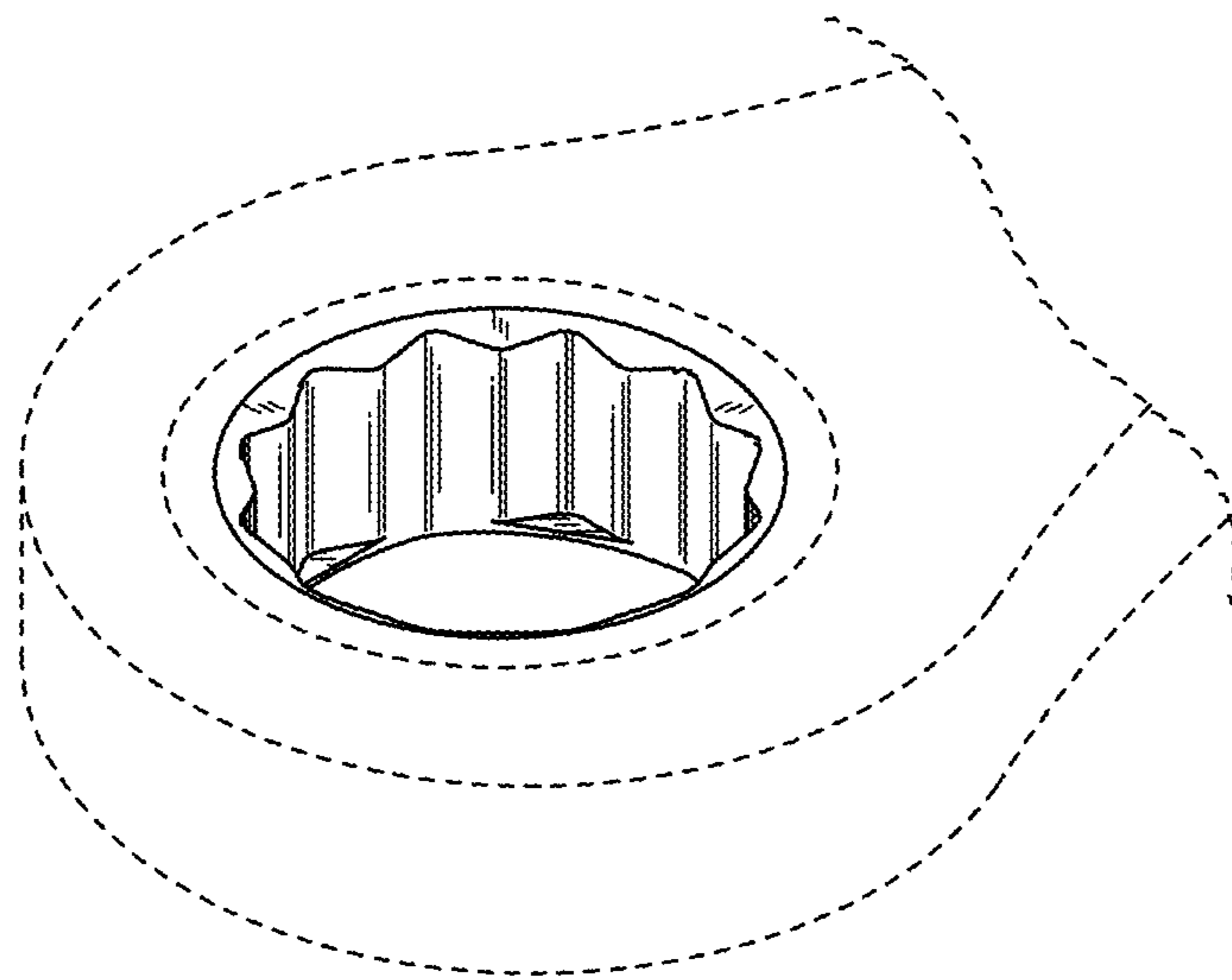


FIG. 1

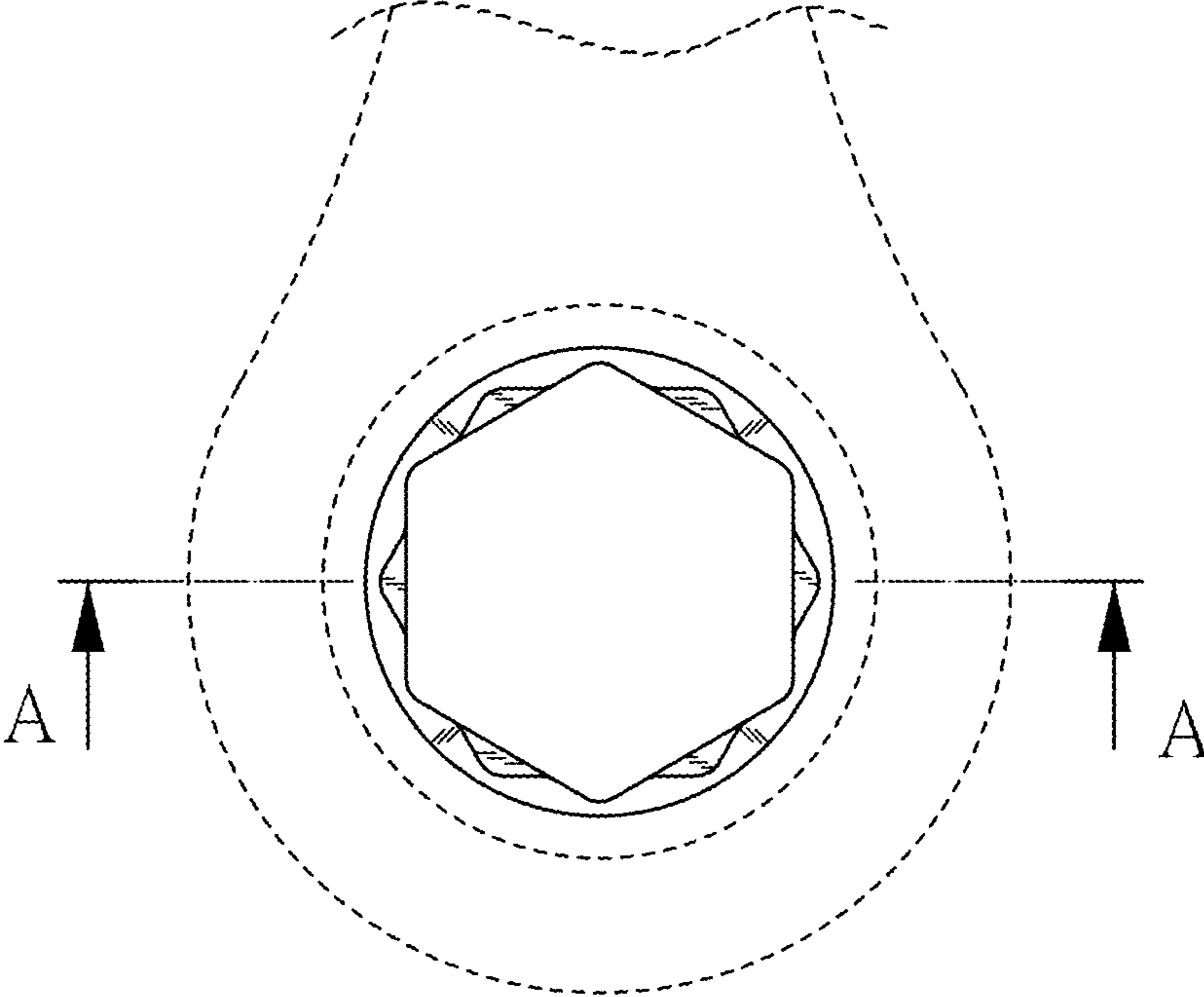


FIG. 2

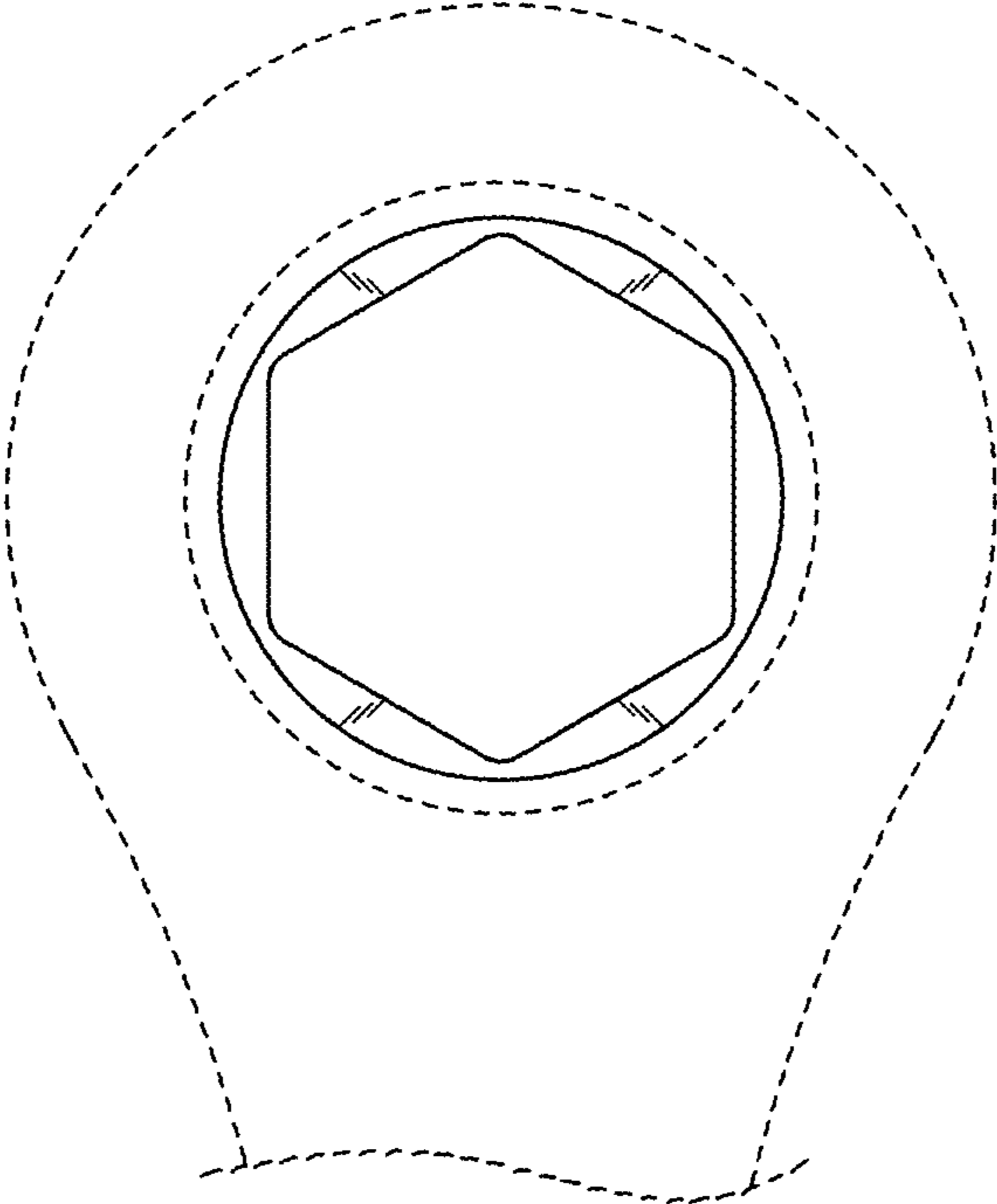


FIG. 3

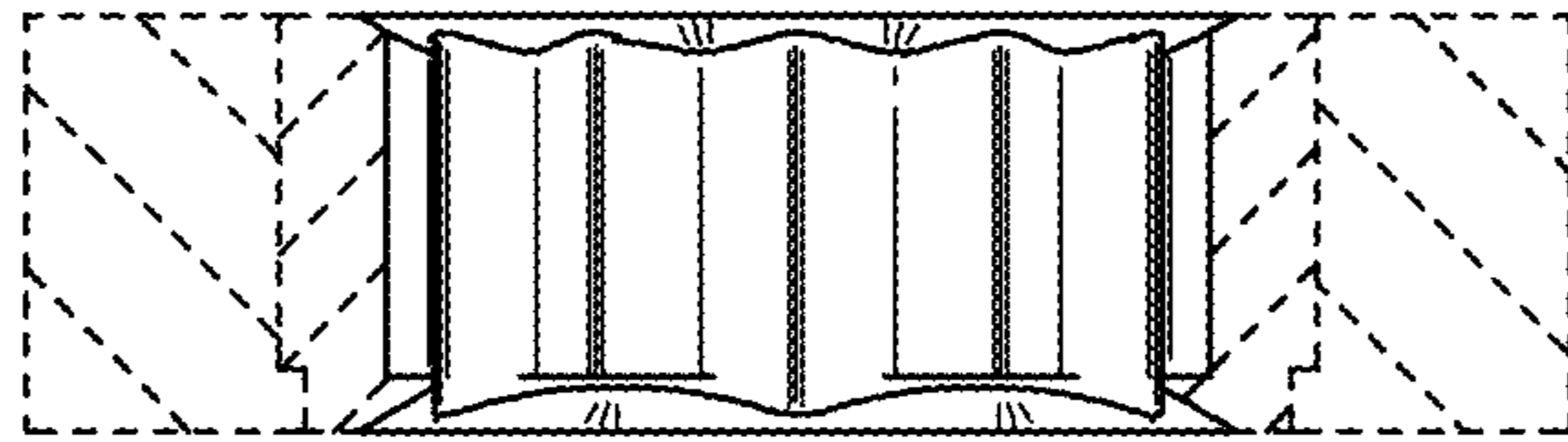


FIG. 4

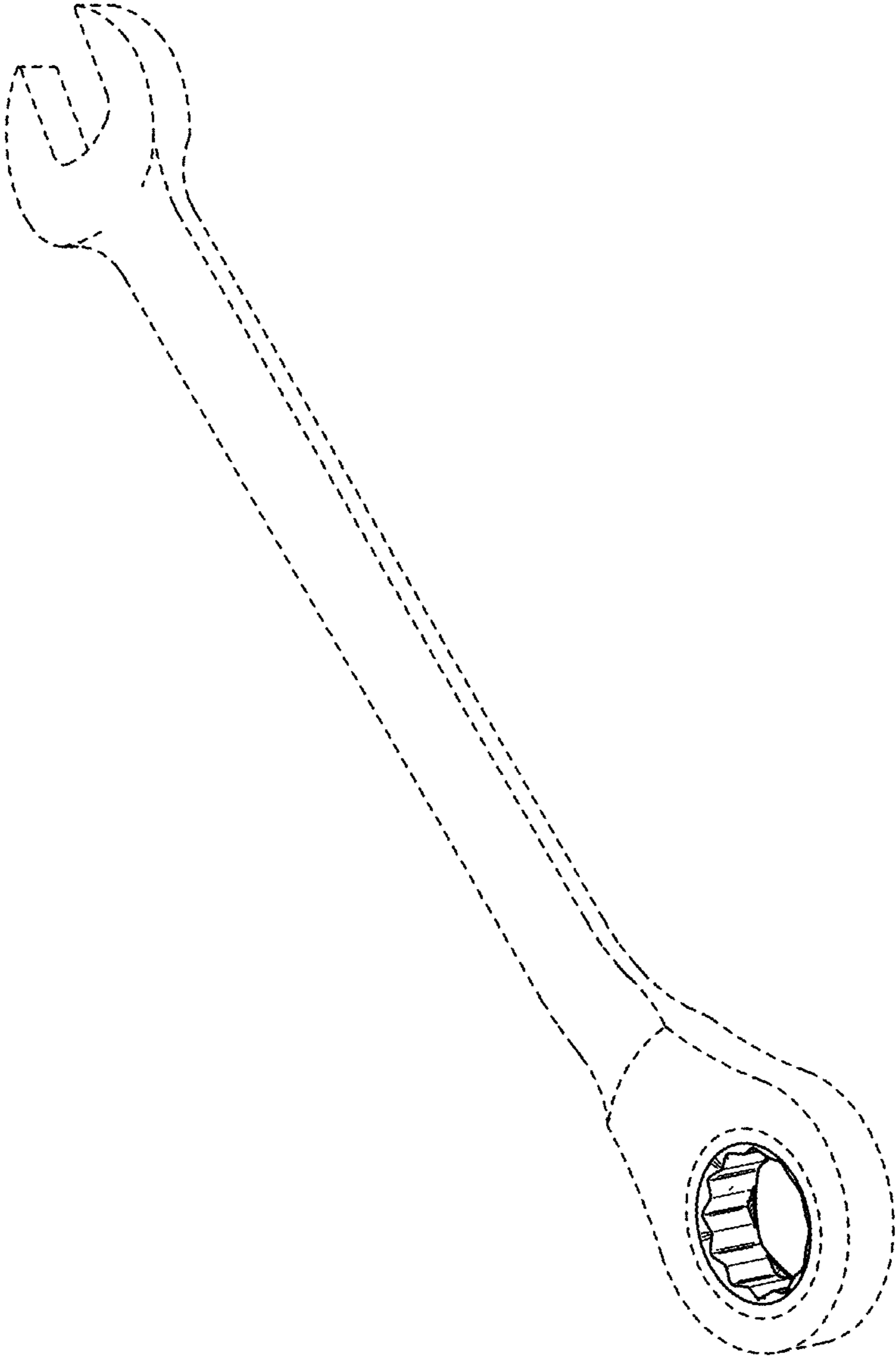


FIG. 5

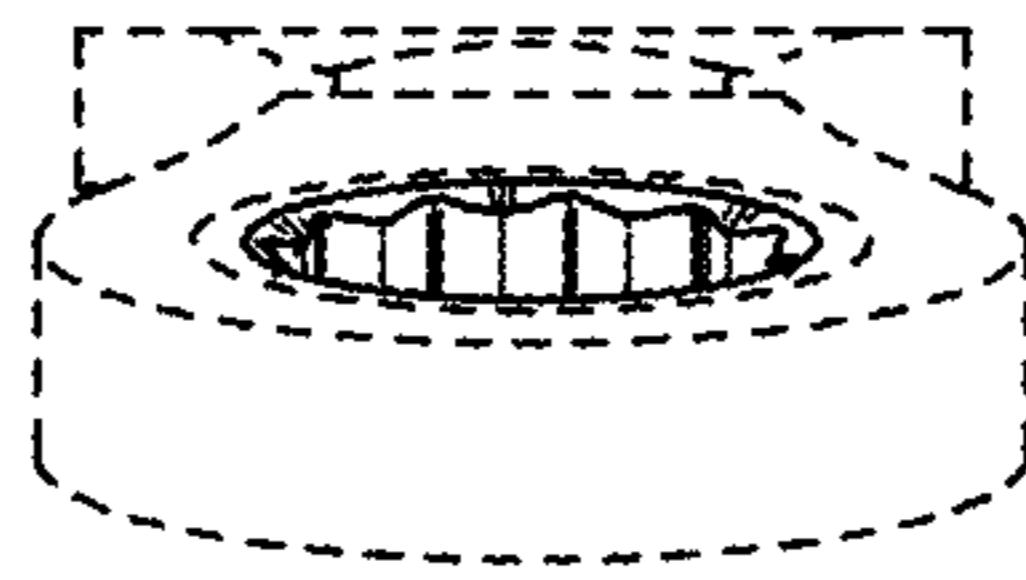


FIG. 6

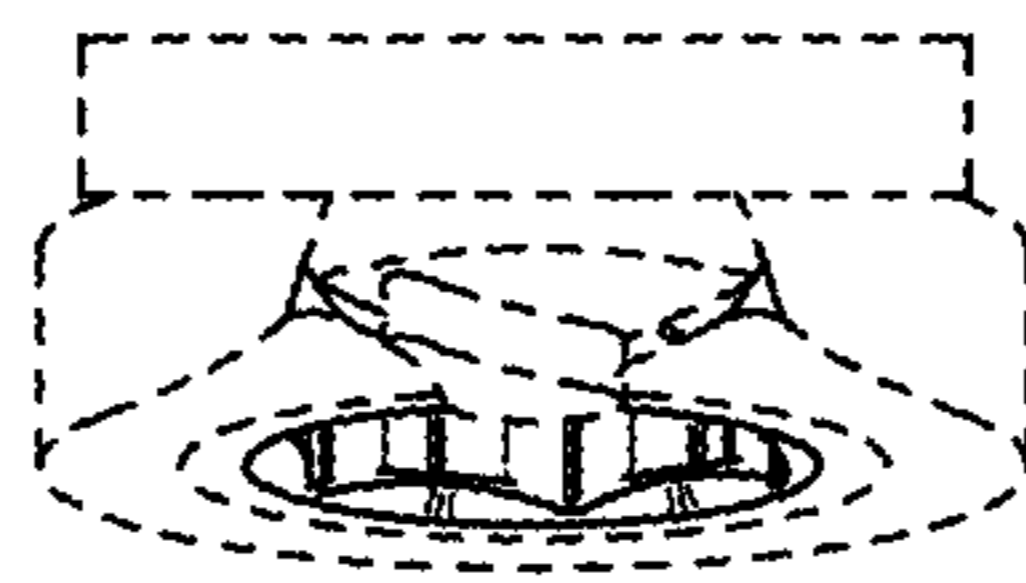


FIG. 7



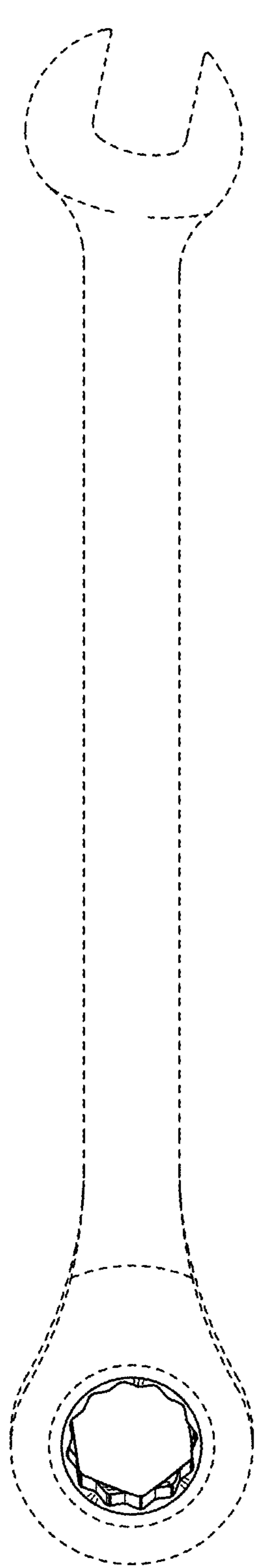


FIG. 8

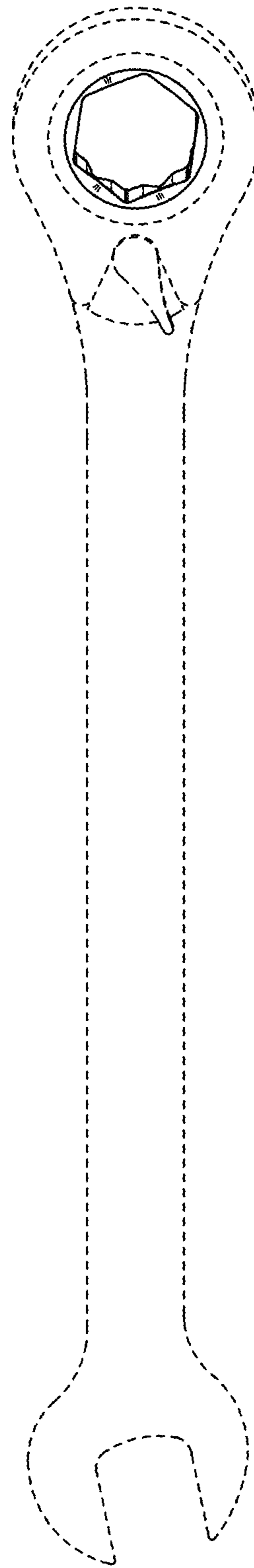


FIG. 9



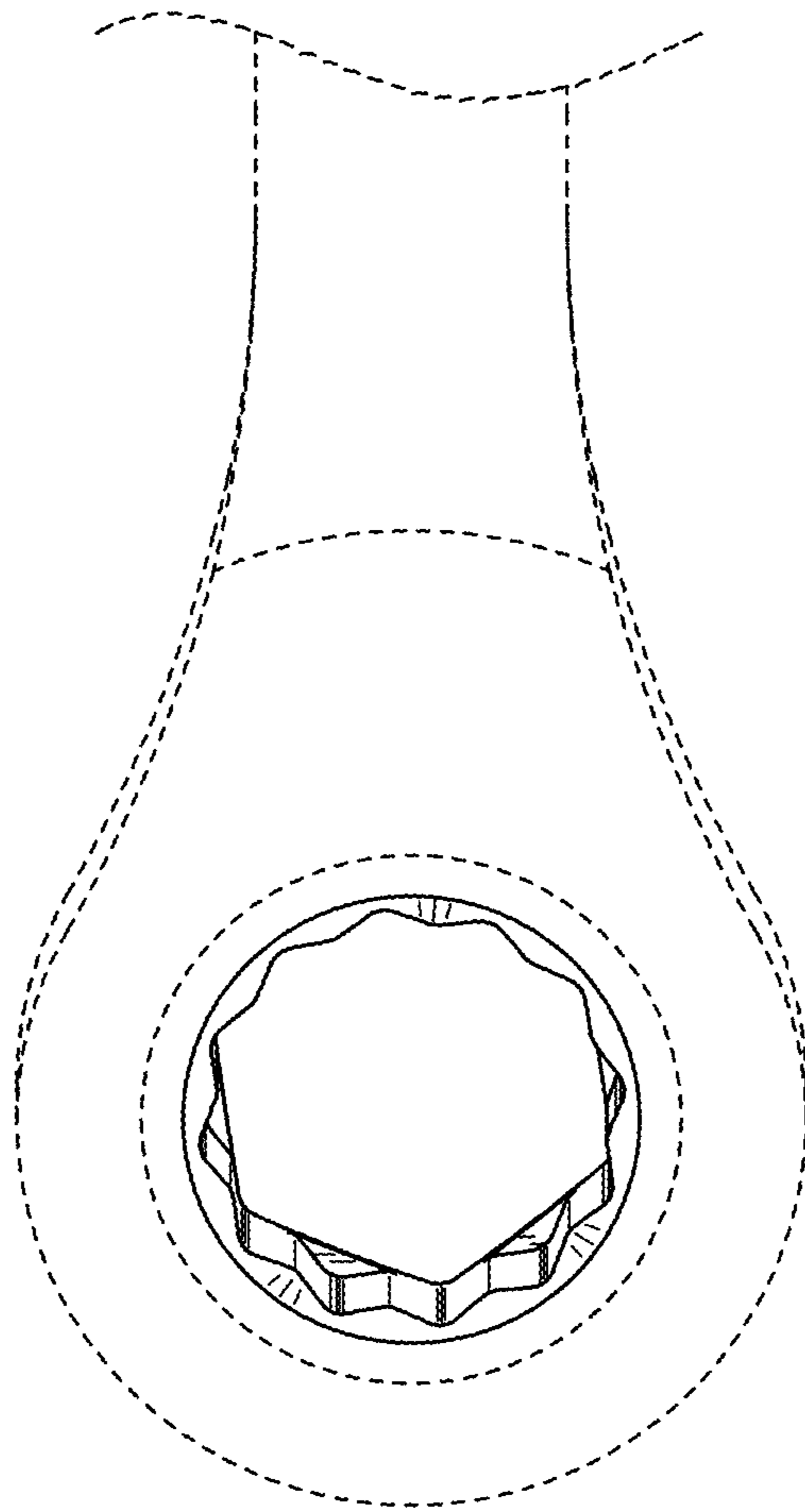


FIG. 10

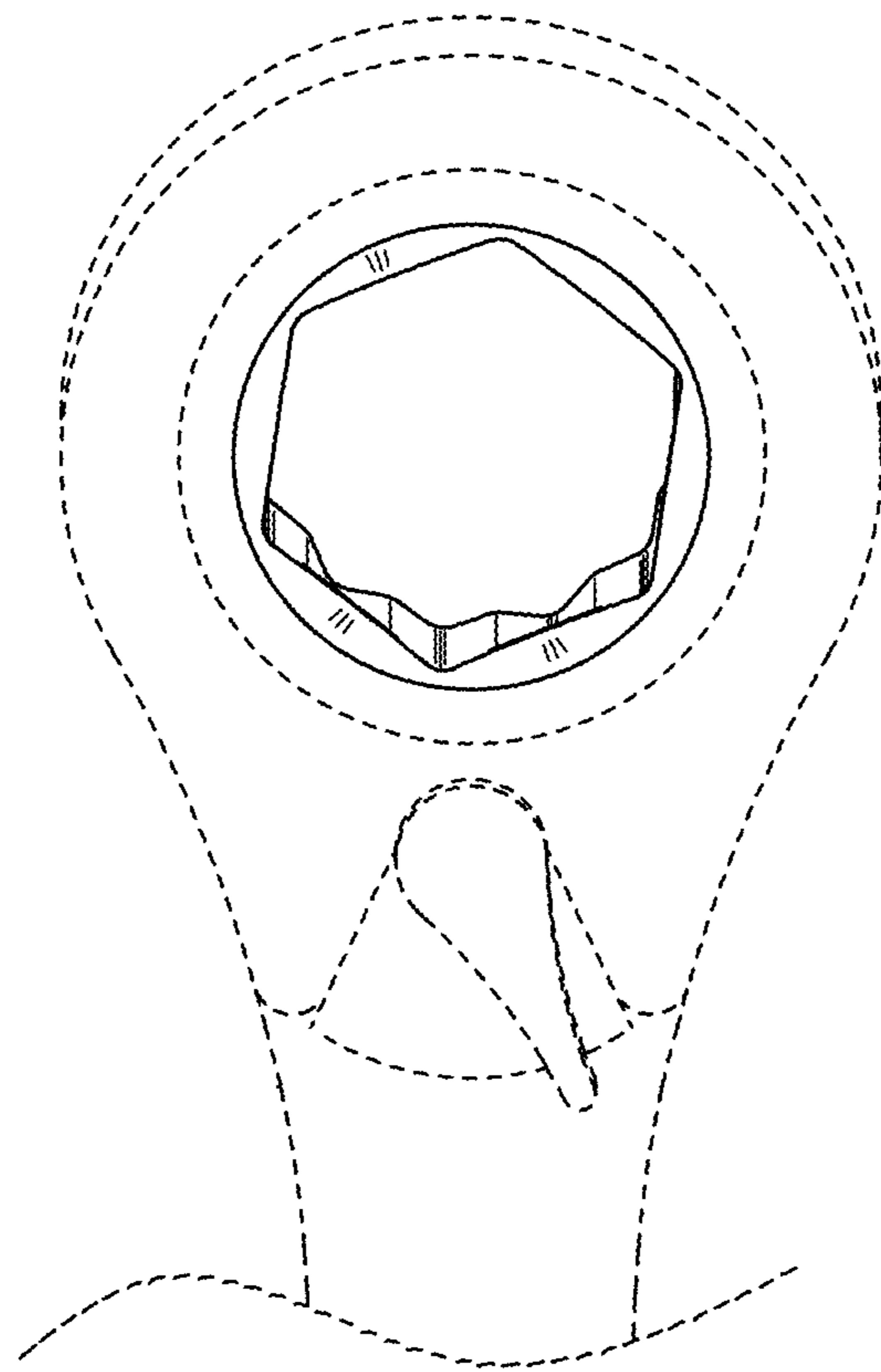


FIG. 11