



US00D951729S

(12) **United States Design Patent**  
**Lanuza**

(10) **Patent No.:** **US D951,729 S**  
(45) **Date of Patent:** **\*\* May 17, 2022**

- (54) **FOUR IN ONE TOOL**
- (71) Applicant: **Craig Lanuza**, Ventura, CA (US)
- (72) Inventor: **Craig Lanuza**, Ventura, CA (US)
- (\*\*) Term: **15 Years**
- (21) Appl. No.: **29/726,416**
- (22) Filed: **Mar. 3, 2020**
- (51) **LOC (13) Cl.** ..... **08-05**
- (52) **U.S. Cl.**  
USPC ..... **D8/14; D8/105**
- (58) **Field of Classification Search**  
USPC ..... D8/14, 105, 88, 89  
CPC ..... B25B 27/0092; B25B 33/00; B25B 9/00;  
B44C 7/022; E04B 2009/0492; A47C  
31/023; B68G 15/00  
See application file for complete search history.

- D420,882 S \* 2/2000 Majolo ..... D32/46
- D456,236 S \* 4/2002 Norton ..... D8/89
- D459,187 S \* 6/2002 Norton ..... D8/89
- D465,389 S \* 11/2002 Norton ..... D8/89
- D511,287 S \* 11/2005 Lake ..... B25B 27/04  
D8/89
- 7,251,917 B2 \* 8/2007 Cvek ..... A47C 31/023  
52/471
- D795,663 S \* 8/2017 Calman ..... D8/14
- D845,094 S \* 4/2019 Chiu ..... D8/14
- D886,555 S \* 6/2020 Scott ..... D8/14
- D916,409 S \* 4/2021 Liao ..... D32/46

**OTHER PUBLICATIONS**

Fabricmate DIY Series 4-in-1 Frame Alignment & Fabric Insertion Tool, Published by Fabricmate Wall Finishing Solutions, Retrieved From Internet on Feb. 25, 2022. <<https://www.fabricmate.com/shop/product/fs820-diy-fabricmate-r-diy-series-4-in-1-frame-alignment-fabric-insertion-tool-3113>> (Year: 2022).\*

\* cited by examiner

*Primary Examiner* — Janice Hallmark

(74) *Attorney, Agent, or Firm* — Sandy Lipkin

(56) **References Cited**

**U.S. PATENT DOCUMENTS**

- D24,340 S \* 5/1895 Simcoe ..... D8/88
- 2,503,683 A \* 4/1950 Perkins ..... B67B 7/18  
29/222
- 2,774,178 A \* 12/1956 Nelson ..... B68G 15/00  
81/488
- 3,389,453 A \* 6/1968 Tarter ..... B60B 29/001  
D8/31
- 3,858,301 A \* 1/1975 Tesone ..... B25B 27/0092  
D8/16
- 4,151,762 A \* 5/1979 Baslow ..... B25B 27/0092  
29/243.57
- 4,197,686 A \* 4/1980 Baslow ..... B44C 7/022  
52/287.1
- D255,320 S \* 6/1980 Steck ..... D8/89
- 4,241,487 A \* 12/1980 Kraver ..... E04F 21/0038  
140/109
- 5,212,860 A \* 5/1993 Lakey ..... B25B 33/00  
29/270
- 5,440,776 A \* 8/1995 Kartler ..... B44D 3/105  
15/245

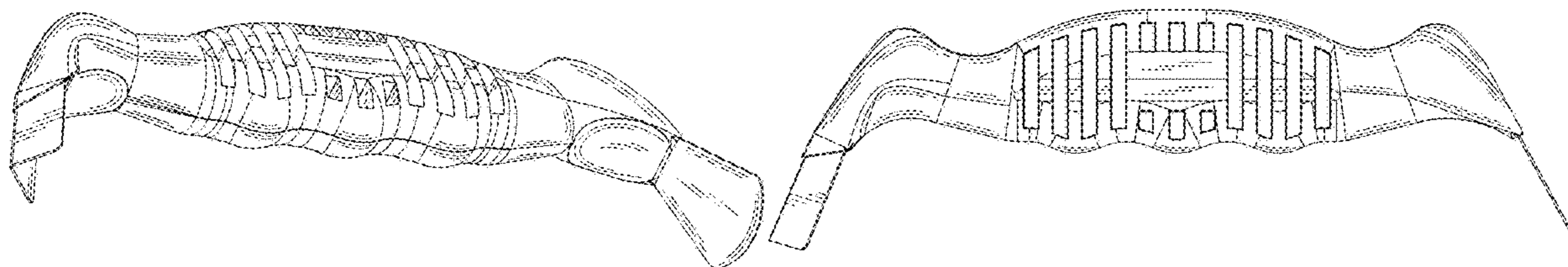
(57) **CLAIM**

The ornamental design for four in one tool, as shown and described.

**DESCRIPTION**

FIG. 1 is a top perspective view of the four in one tool.  
FIG. 2 is a bottom perspective view of the four in one tool.  
FIG. 3 is a front view of the four in one tool.  
FIG. 4 is a rear view of the four in one tool.  
FIG. 5 is a right side view of the four in one tool.  
FIG. 6 is a left side view of the four in one tool.  
FIG. 7 is a top view of the four in one tool; and,  
FIG. 8 is a bottom view of the four in one tool.

**1 Claim, 7 Drawing Sheets**



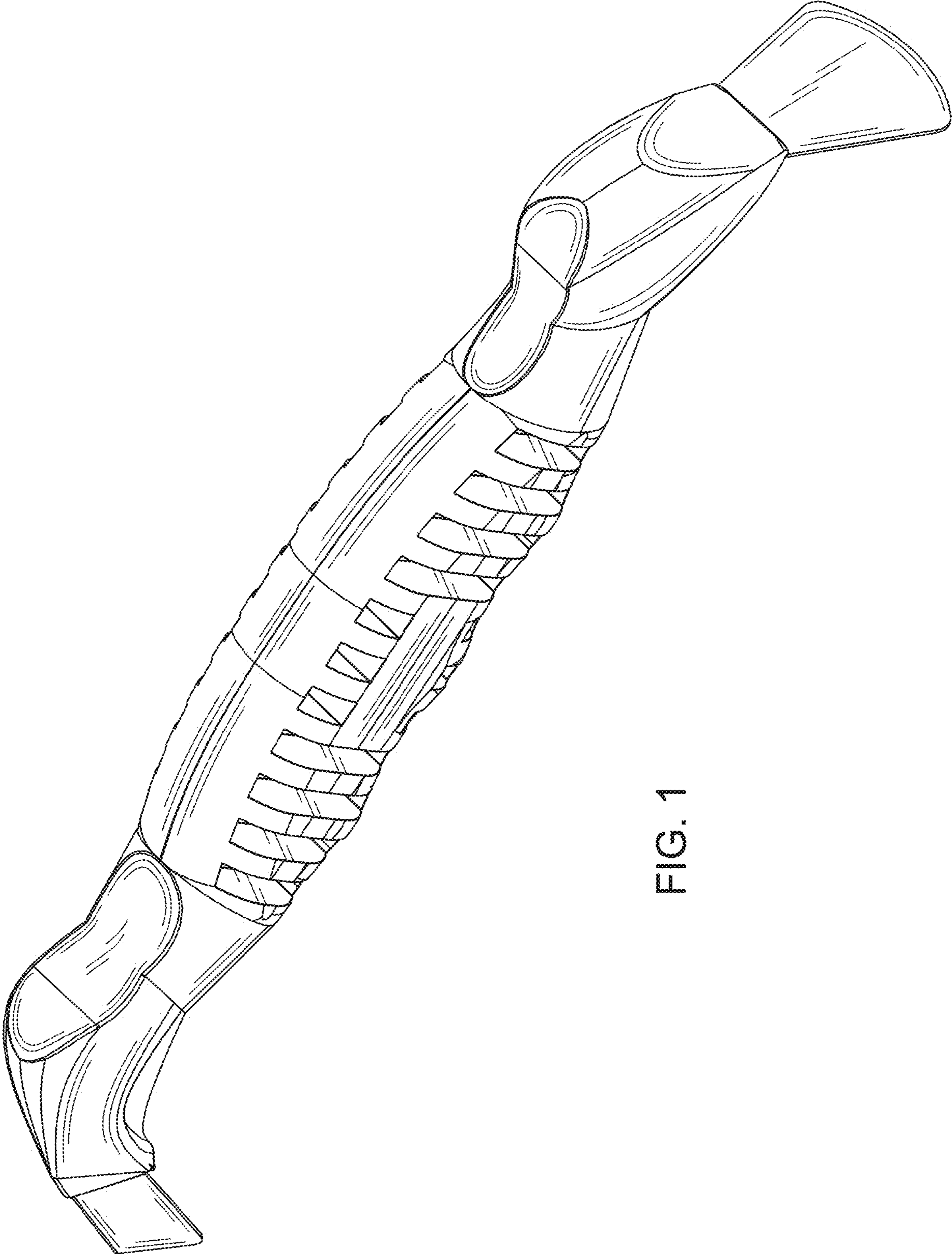


FIG. 1

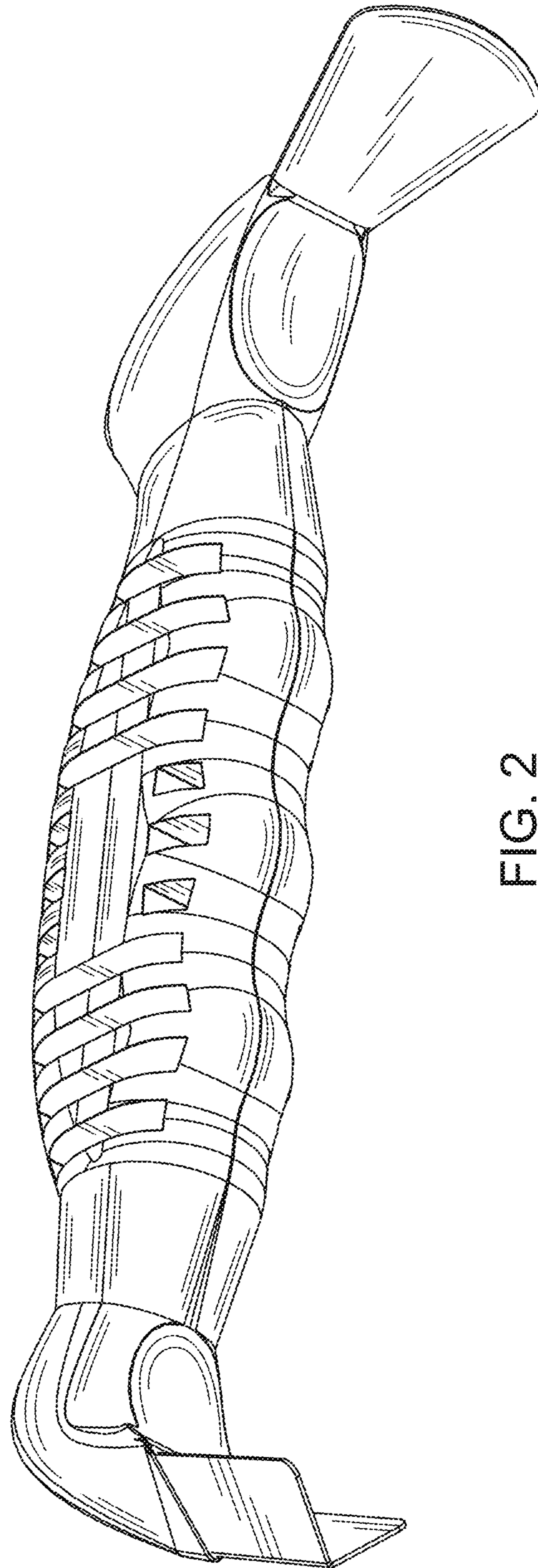


FIG. 2

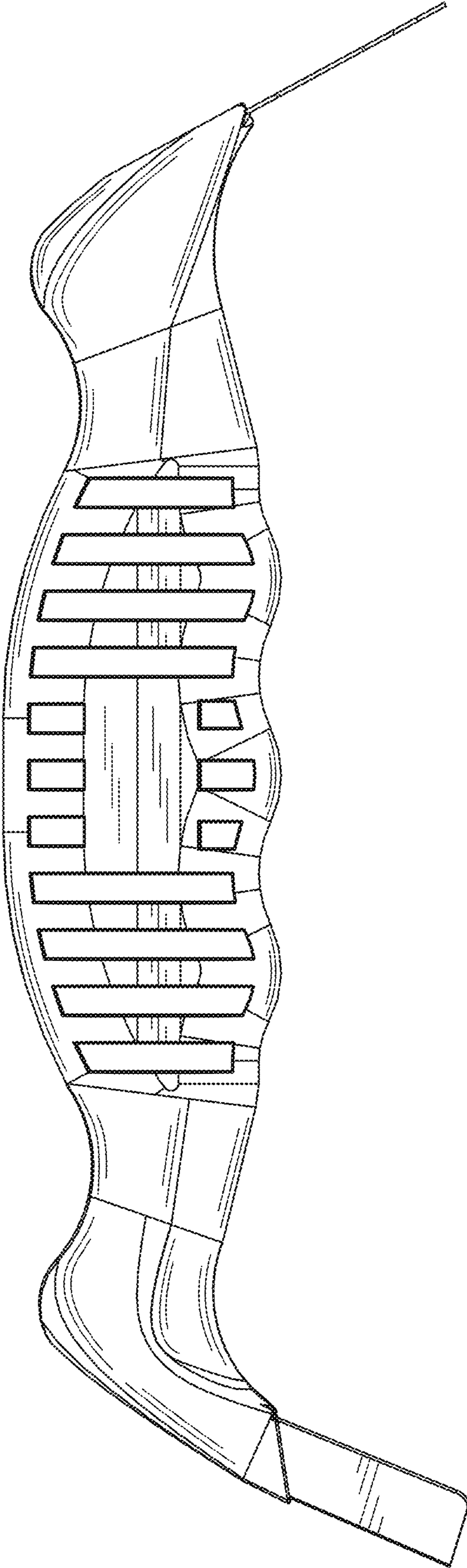


FIG. 3

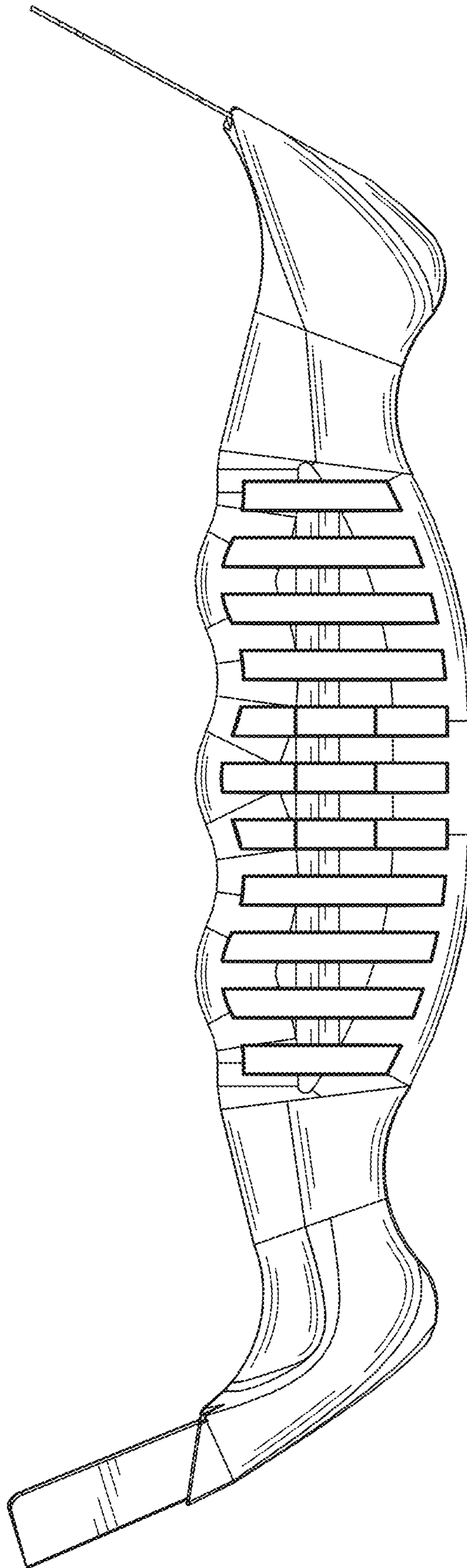


FIG. 4

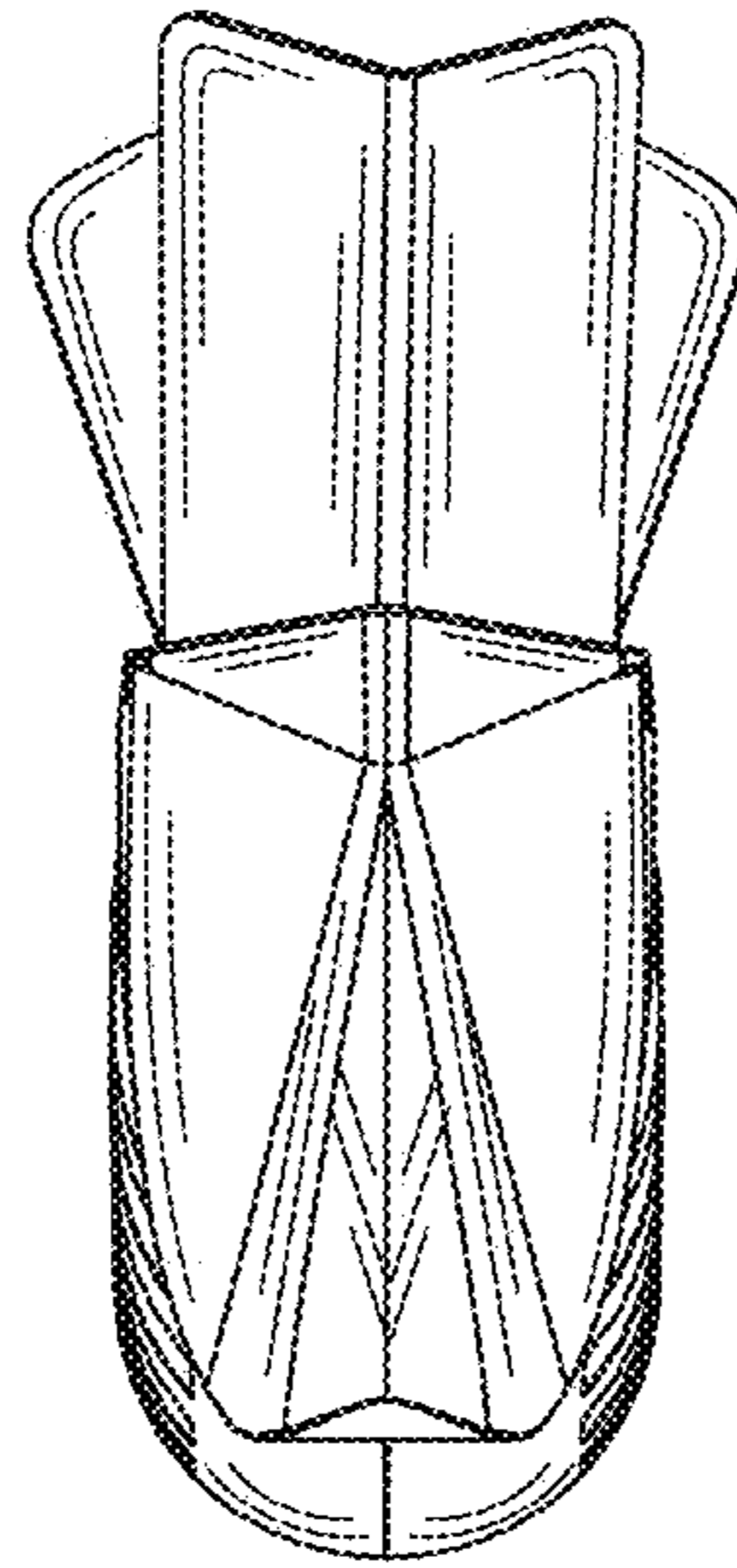


FIG. 5

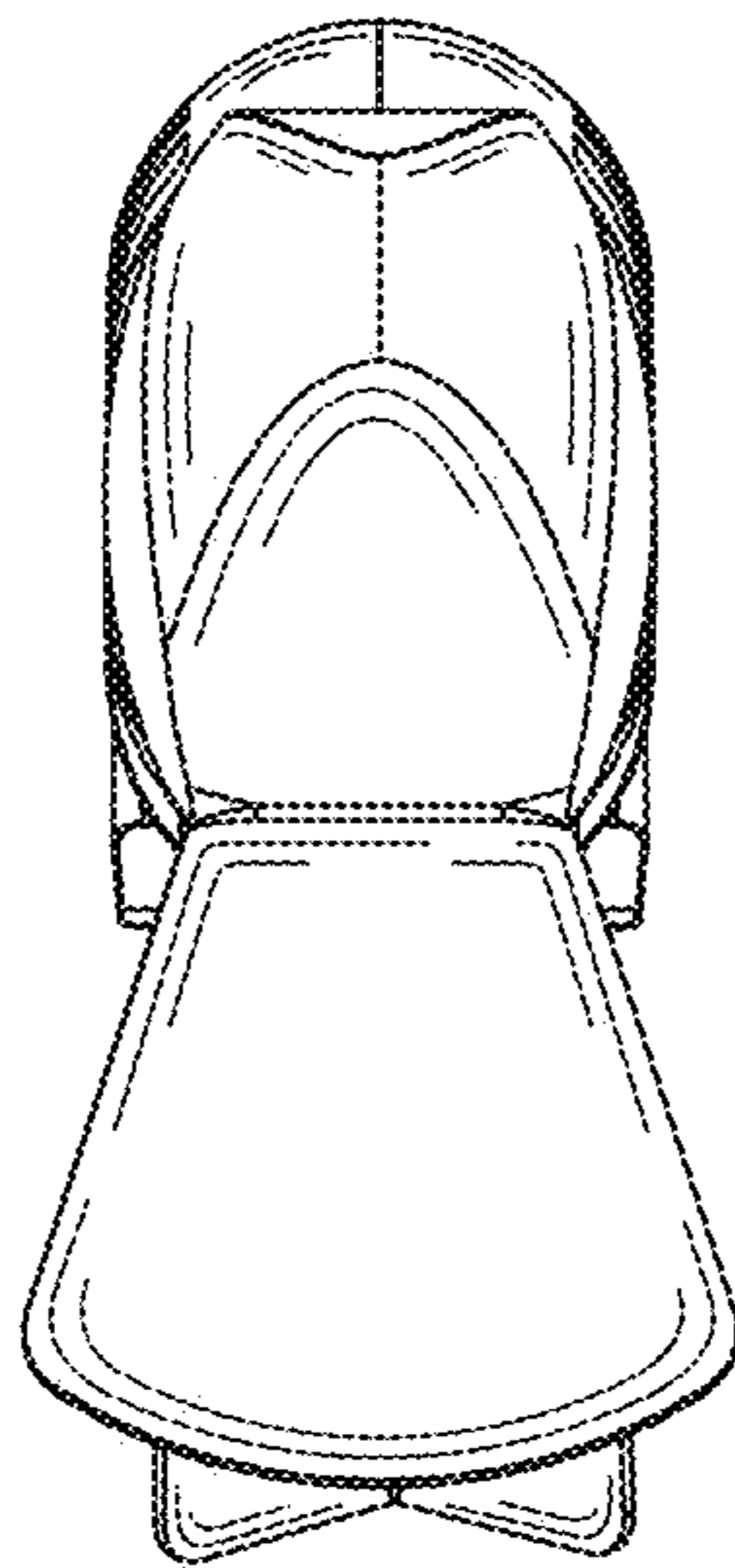


FIG. 6

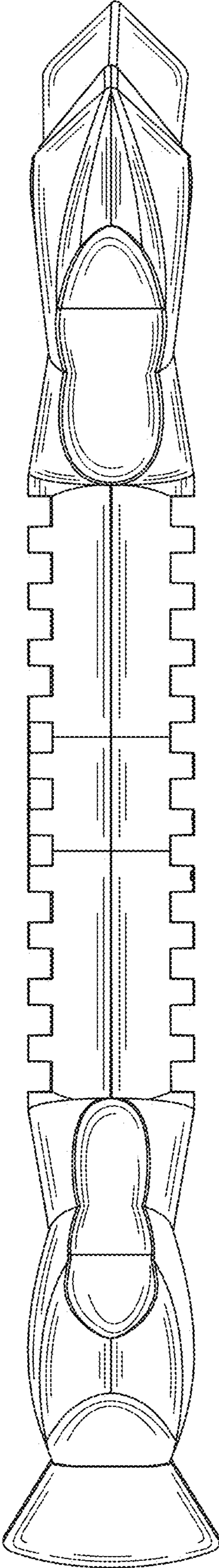


FIG. 7

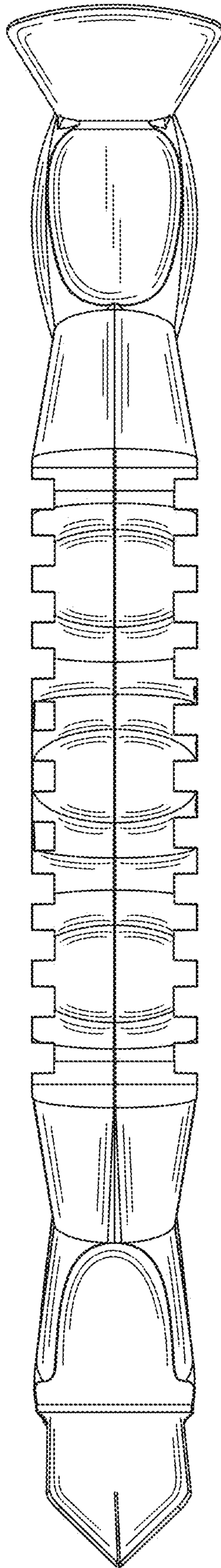


FIG. 8