

US00D951728S

(12) **United States Design Patent** (10) **Patent No.:** **US D951,728 S**  
**Amundson** (45) **Date of Patent:** **\*\* May 17, 2022**

(54) **LOG SPLITTER**

(71) Applicant: **Daniel Scott Amundson**, Winona, MN  
(US)

(72) Inventor: **Daniel Scott Amundson**, Winona, MN  
(US)

(\*\*) Term: **15 Years**

(21) Appl. No.: **29/749,045**

(22) Filed: **Sep. 2, 2020**

(51) **LOC (13) Cl.** ..... **08-03**

(52) **U.S. Cl.**  
USPC ..... **D8/7**

(58) **Field of Classification Search**  
USPC ..... D8/7, 47, 76; D15/28, 127  
CPC .... B27L 7/00; B27L 7/005; B27L 7/06; B27L  
7/08

See application file for complete search history.

(56) **References Cited**

**U.S. PATENT DOCUMENTS**

- 3,982,572 A \* 9/1976 Kortendick ..... B27L 7/005  
144/195.7
- 4,391,311 A \* 7/1983 Levercom ..... B27L 7/005  
144/195.7
- 7,159,627 B2 \* 1/2007 St-Germain ..... B27L 7/005  
144/195.5
- D817,123 S \* 5/2018 Johnsen ..... D8/7
- D845,725 S \* 4/2019 Baron ..... D8/7

- D881,662 S \* 4/2020 Hutchinson ..... D8/1
- 10,792,835 B2 \* 10/2020 Kilpela ..... B27L 7/005
- D904,837 S \* 12/2020 Chaklos ..... D8/7
- D924,646 S \* 7/2021 Fu ..... D8/7
- D934,041 S \* 10/2021 Odintsov ..... D8/7
- 2018/0229395 A1 \* 8/2018 Zhu ..... B26D 1/02

\* cited by examiner

*Primary Examiner* — Philip S Hyder  
(74) *Attorney, Agent, or Firm* — Antonio Papageorgiou,  
Esq.; Lombard Geliebter LLP

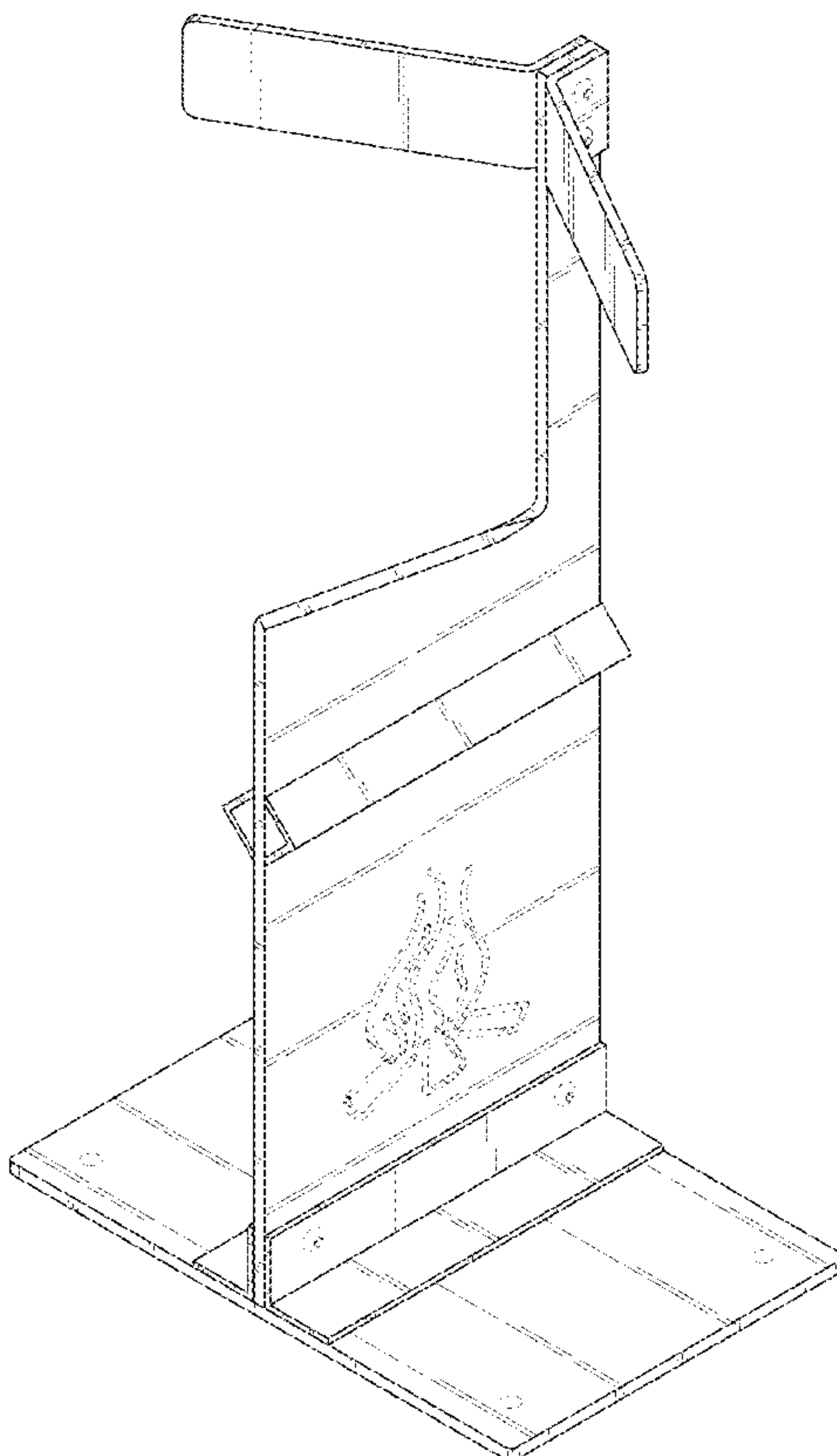
(57) **CLAIM**

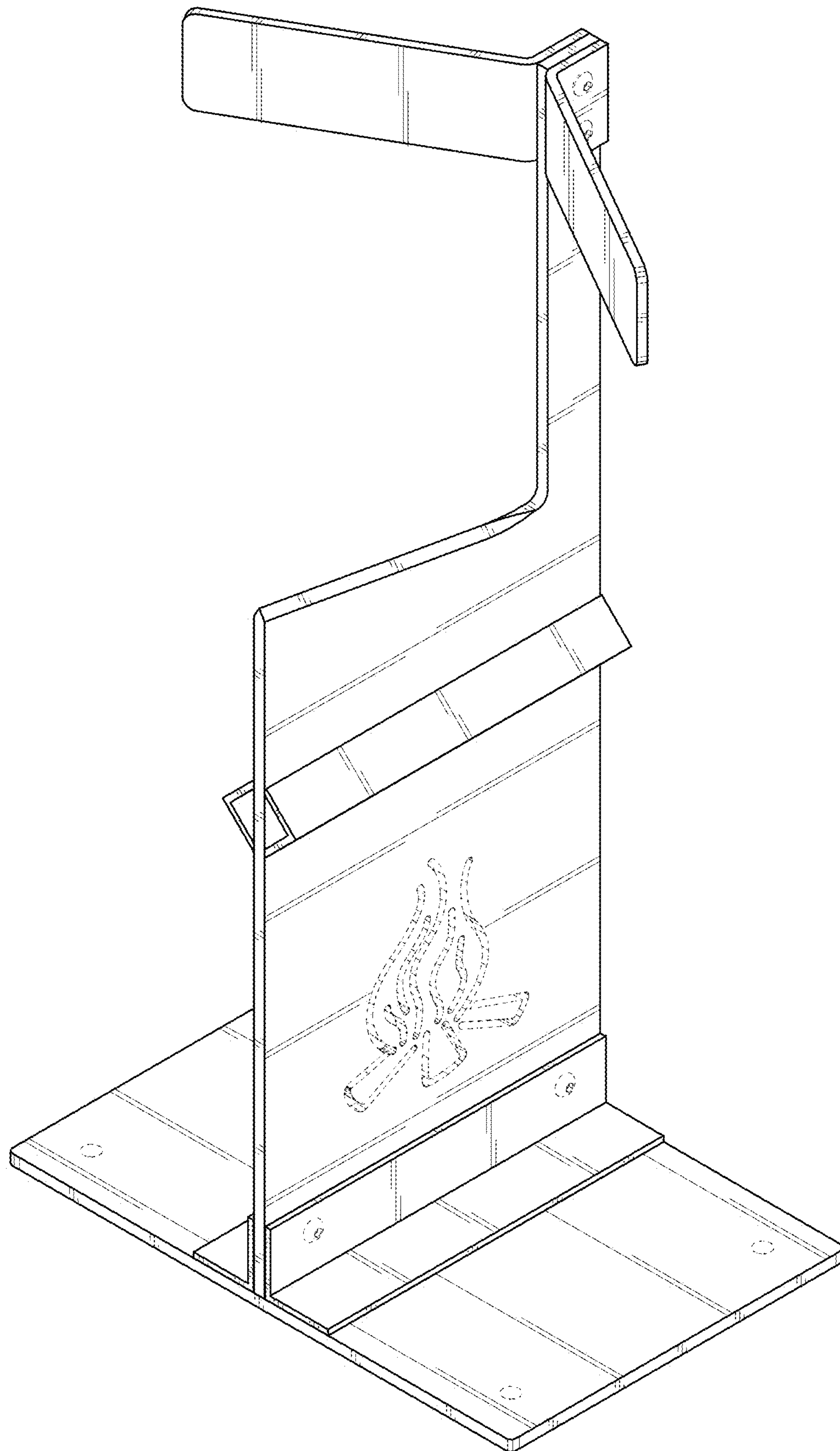
The ornamental design for a log splitter, as shown and described.

**DESCRIPTION**

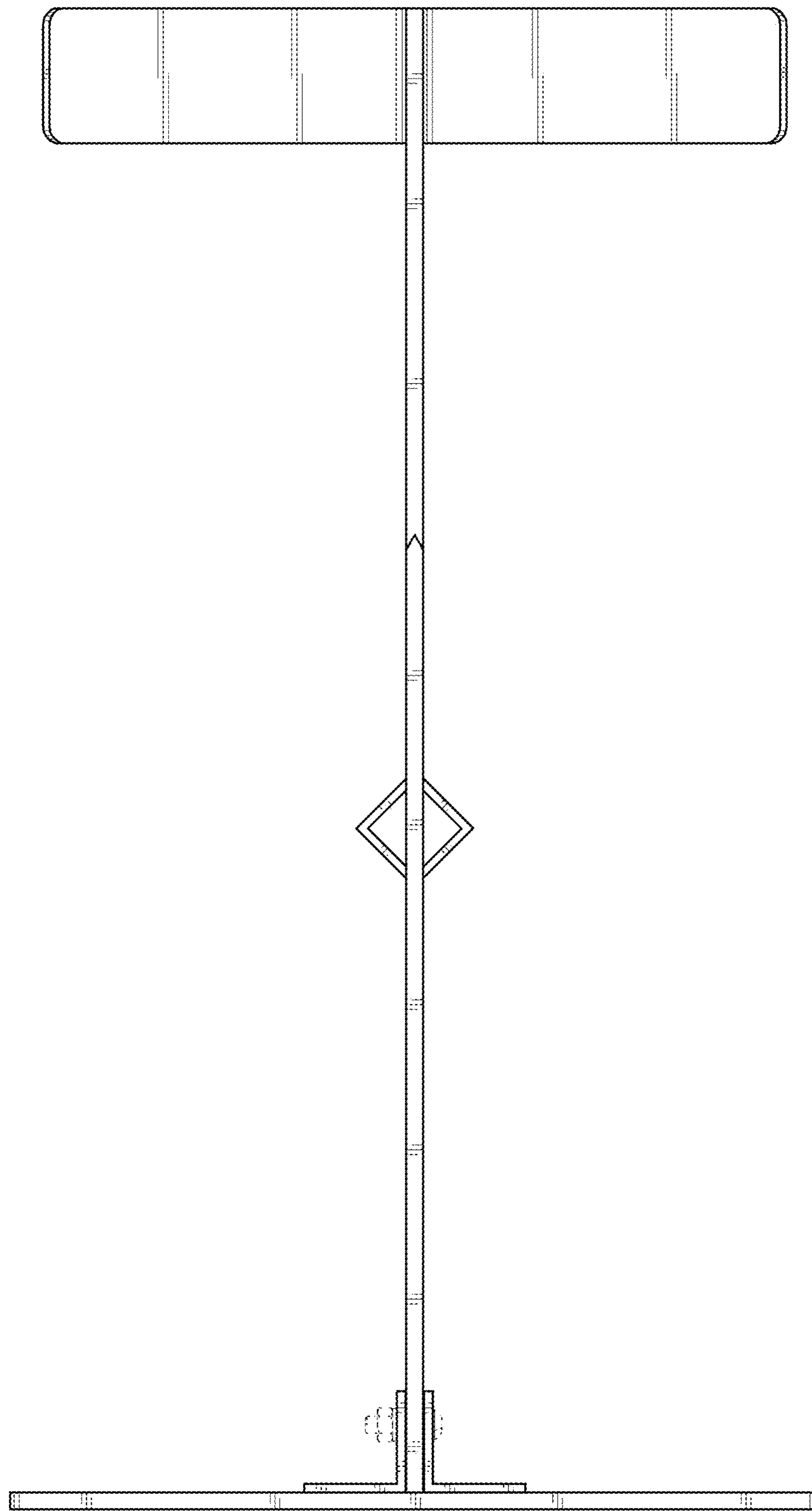
FIG. 1 is a perspective view of one side and the front of the log splitter according to an embodiment of my new design; FIG. 2 is a front view thereof; FIG. 3 is a back view thereof; FIG. 4 is a left side view thereof; FIG. 5 is a right side view thereof; FIG. 6 is a top view thereof; and, FIG. 7 is a bottom view thereof. The dashed lines shown in the drawings represent portions of the log splitter and form no part of the claimed design.

**1 Claim, 7 Drawing Sheets**





**FIG. 1**



**FIG. 2**

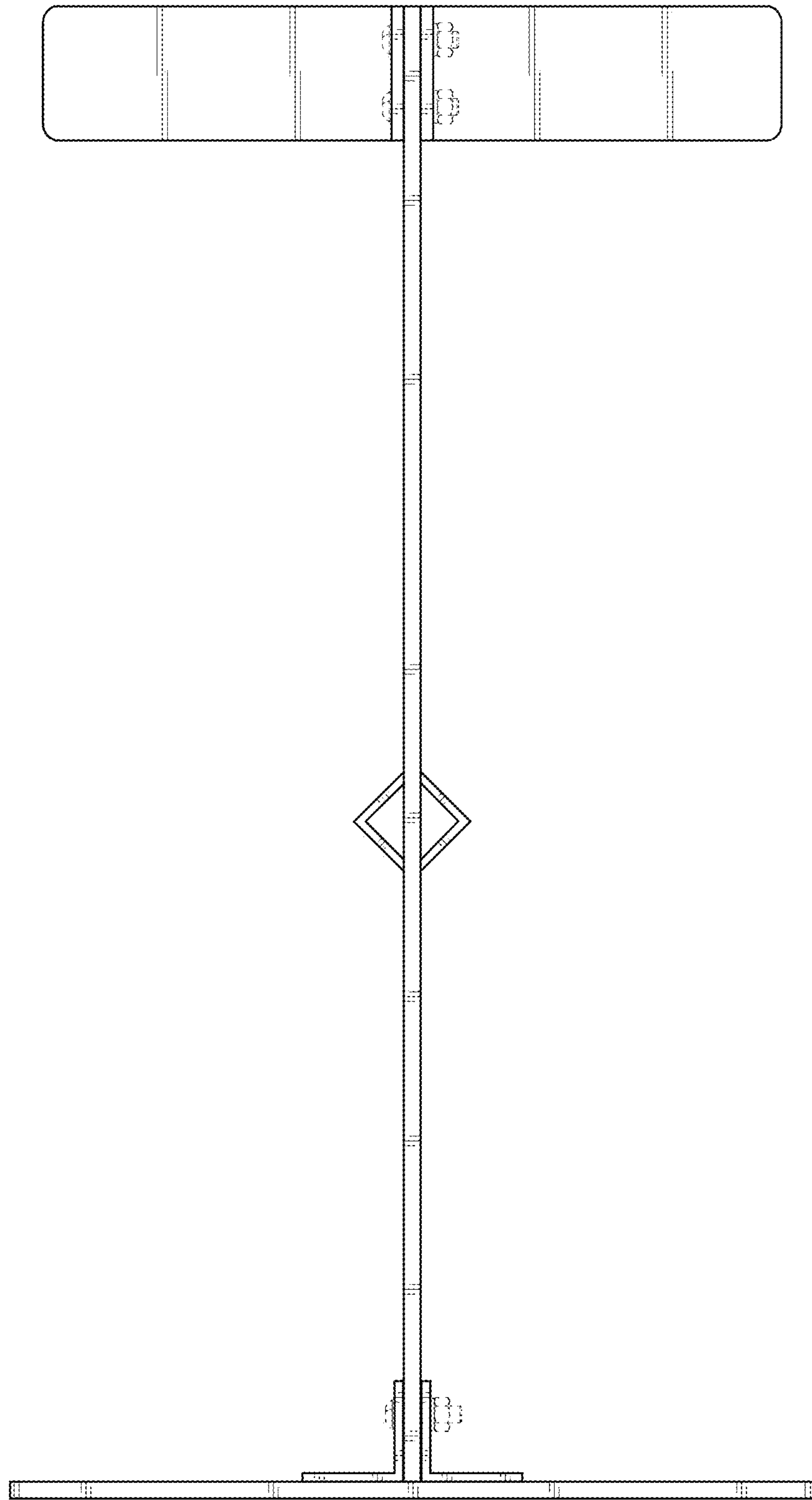
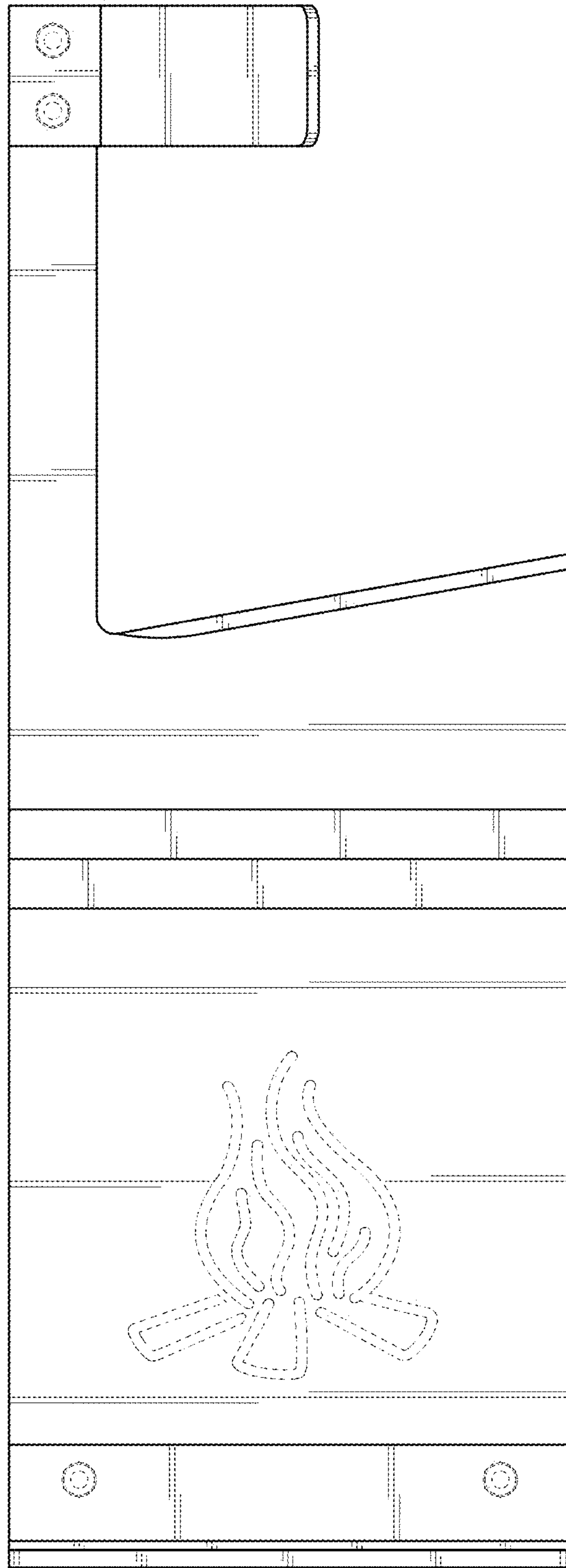


FIG. 3



**FIG. 4**

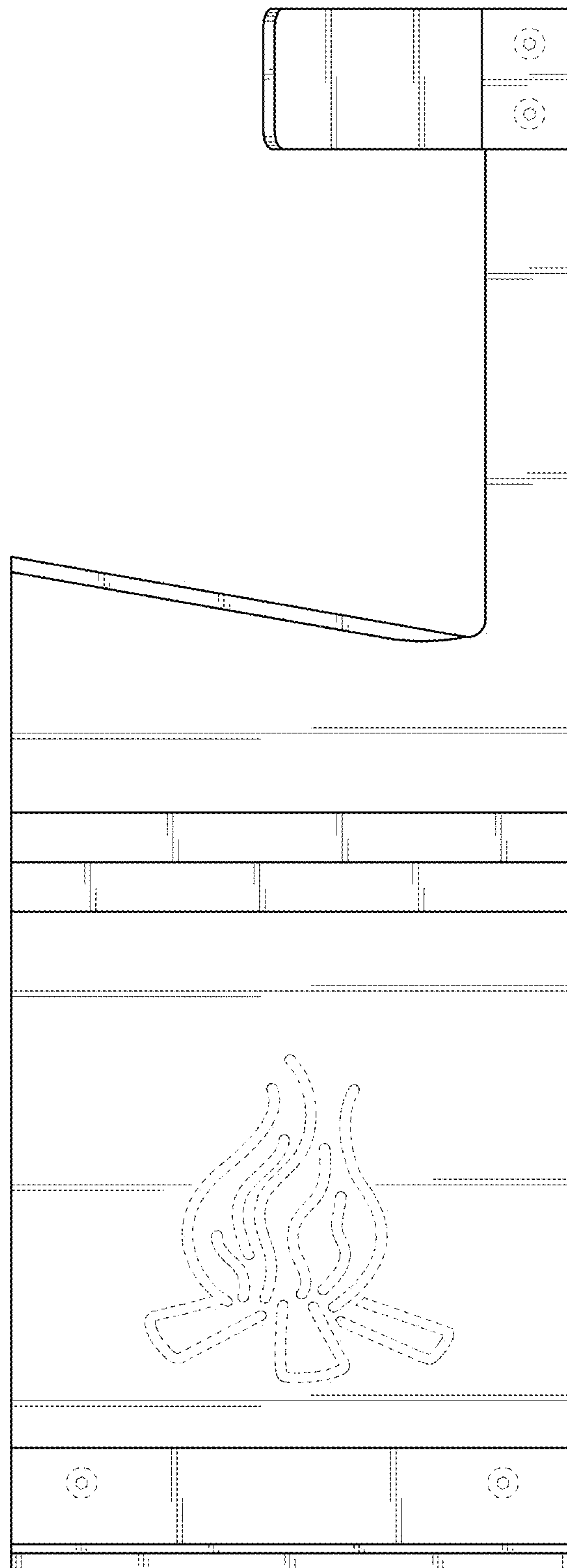
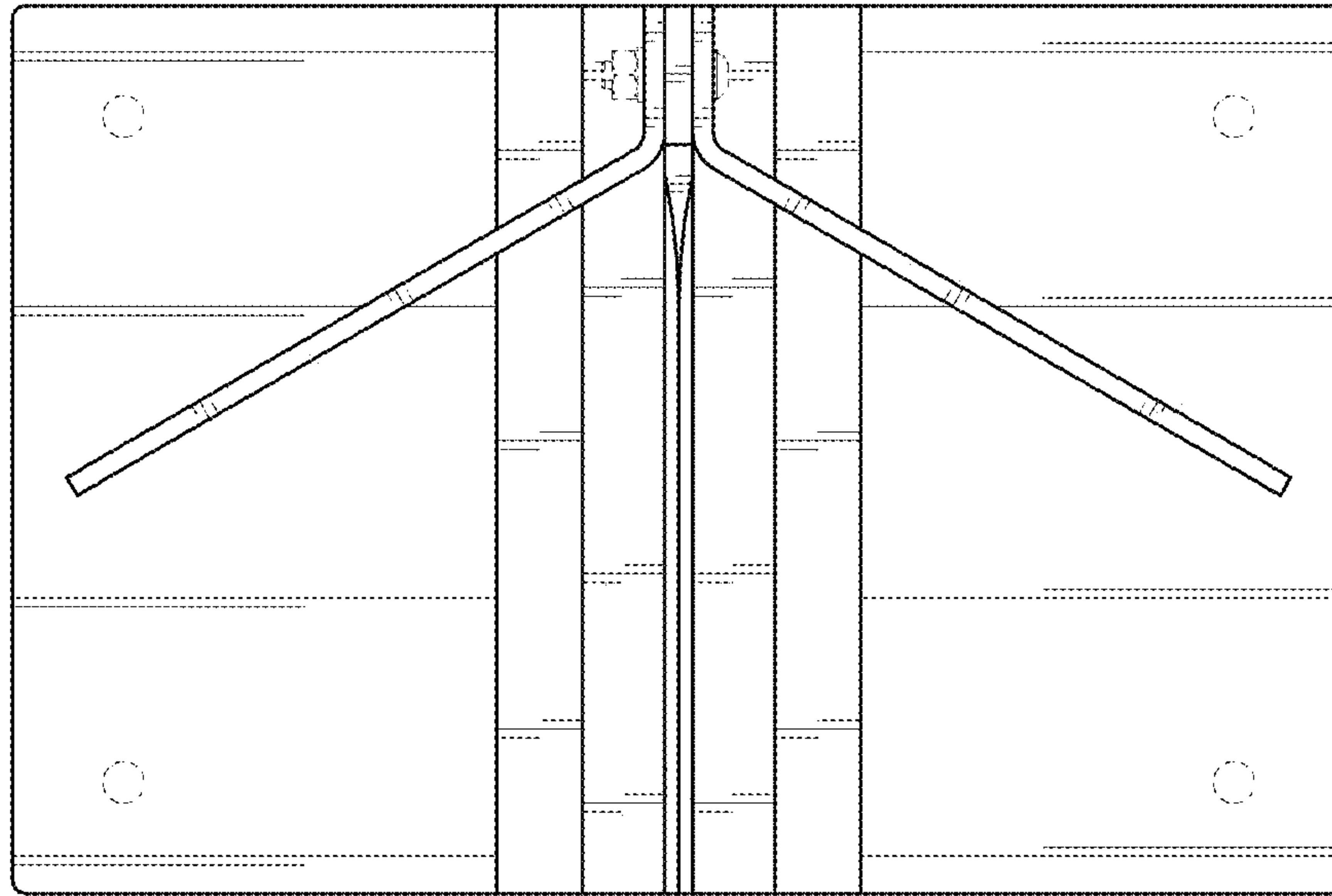


FIG. 5





**FIG. 6**



**FIG. 7**