



US00D951727S

(12) **United States Design Patent**
Zhong

(10) **Patent No.:** **US D951,727 S**

(45) **Date of Patent:** **** May 17, 2022**

(54) **LUNCH BOX**

(71) Applicant: **Jing Zhong**, Guangdong (CN)

(72) Inventor: **Jing Zhong**, Guangdong (CN)

(**) Term: **15 Years**

(21) Appl. No.: **29/730,047**

(22) Filed: **Apr. 1, 2020**

(51) **LOC (13) Cl.** **03-01**

(52) **U.S. Cl.**

USPC **D7/703**; D7/629; D3/201

(58) **Field of Classification Search**

USPC D7/605, 607, 701, 703, 629, 630;
D3/287, 276, 289, 283, 272-274, 201,
D3/203.1-203.8

CPC A45C 11/20; A45C 11/00; A45C 13/02;
B65D 25/04; B65D 25/06; B65D 77/08;
B65D 43/14; B65D 43/16; B65D 1/24;
B65D 1/36; B65D 81/3813; B65D
81/3825; A47G 23/04; A45F 3/46

See application file for complete search history.

(56) **References Cited**

U.S. PATENT DOCUMENTS

4,346,813	A *	8/1982	Cho	B65D 25/04 220/532
D472,774	S *	4/2003	Pelstring	D7/629
8,328,034	B2 *	12/2012	Miros	B65B 7/16 220/4.22
D763,629	S *	8/2016	Swartz	D7/629
9,414,701	B1 *	8/2016	Yen	A47J 41/0072
2010/0224531	A1 *	9/2010	Claffy	B65D 81/3823 206/561
2010/0308039	A1 *	12/2010	Miros	B65D 45/16 220/4.22
2011/0114526	A1 *	5/2011	Neumann	A45C 11/20 206/459.5

2013/0180217	A1 *	7/2013	Brubaker	G01R 33/4633 53/473
2014/0299505	A1 *	10/2014	Stahle	A45C 11/00 206/546
2014/0345314	A1 *	11/2014	Cox	A45C 11/20 62/440
2019/0375551	A1 *	12/2019	Bell	B65D 77/046
2021/0289926	A1 *	9/2021	Wright	B65D 51/242

OTHER PUBLICATIONS

Amazon.com, Eco-Life Home Design Bento Box, pp. 1-9, ASIN: B07F7WV876, date first available Jul. 13, 2018. (Year: 2018).*

Amazon.com, LunchBots Medium Trio II Snack Container, pp. 1-12, ASIN: B01NA753TF, date first available Jan. 19, 2017. (Year: 2017).*

Amazon.com, OmieBox Bento Box for Kids, pp. 1-13, ASIN: B017SG1MV2, date first available Nov. 10, 2015. (Year: 2015).*

* cited by examiner

Primary Examiner — Terry A Wallace

(57) **CLAIM**

The ornamental design for a lunch box, as shown and described.

DESCRIPTION

FIG. 1 is a perspective view of a lunch box showing my new design;

FIG. 2 is a front elevational view thereof;

FIG. 3 is a rear elevational view thereof;

FIG. 4 is a left side elevational view thereof;

FIG. 5 is a right side elevational view thereof;

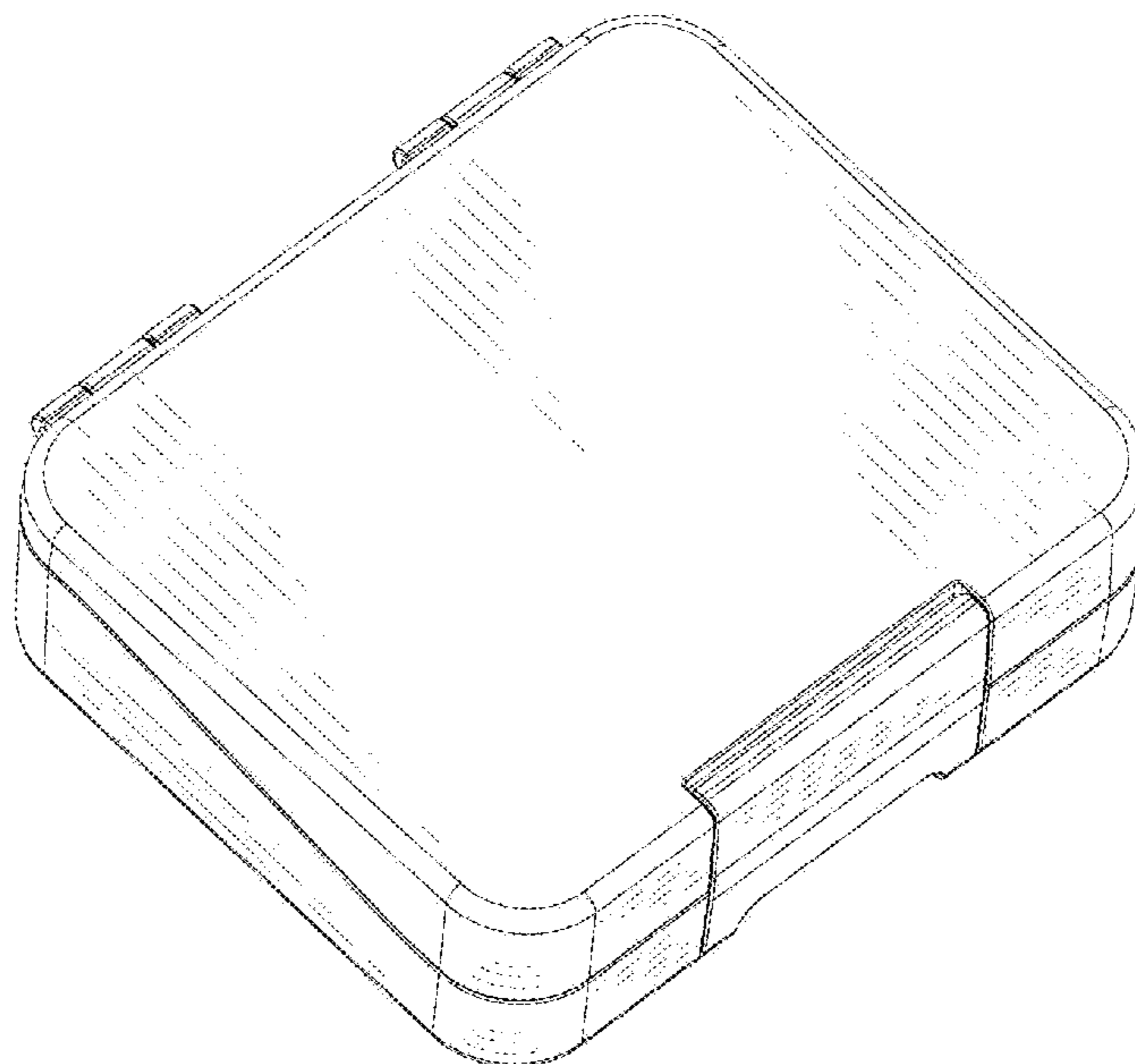
FIG. 6 is a top plan view thereof;

FIG. 7 is a bottom plan view thereof;

FIG. 8 is a rear side perspective view thereof; and,

FIG. 9 is a perspective view thereof, shown in open state.

1 Claim, 9 Drawing Sheets



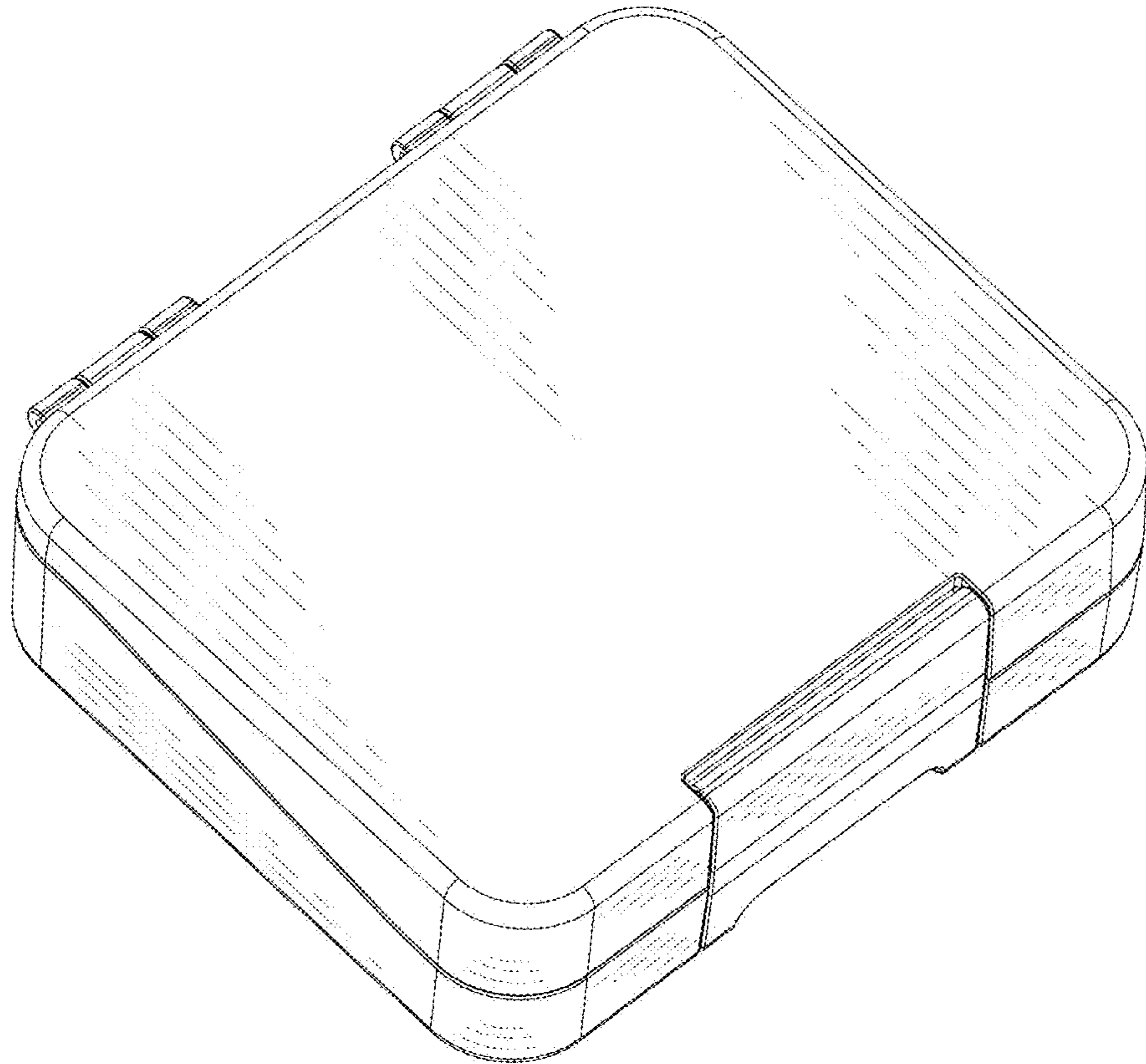


FIG. 1

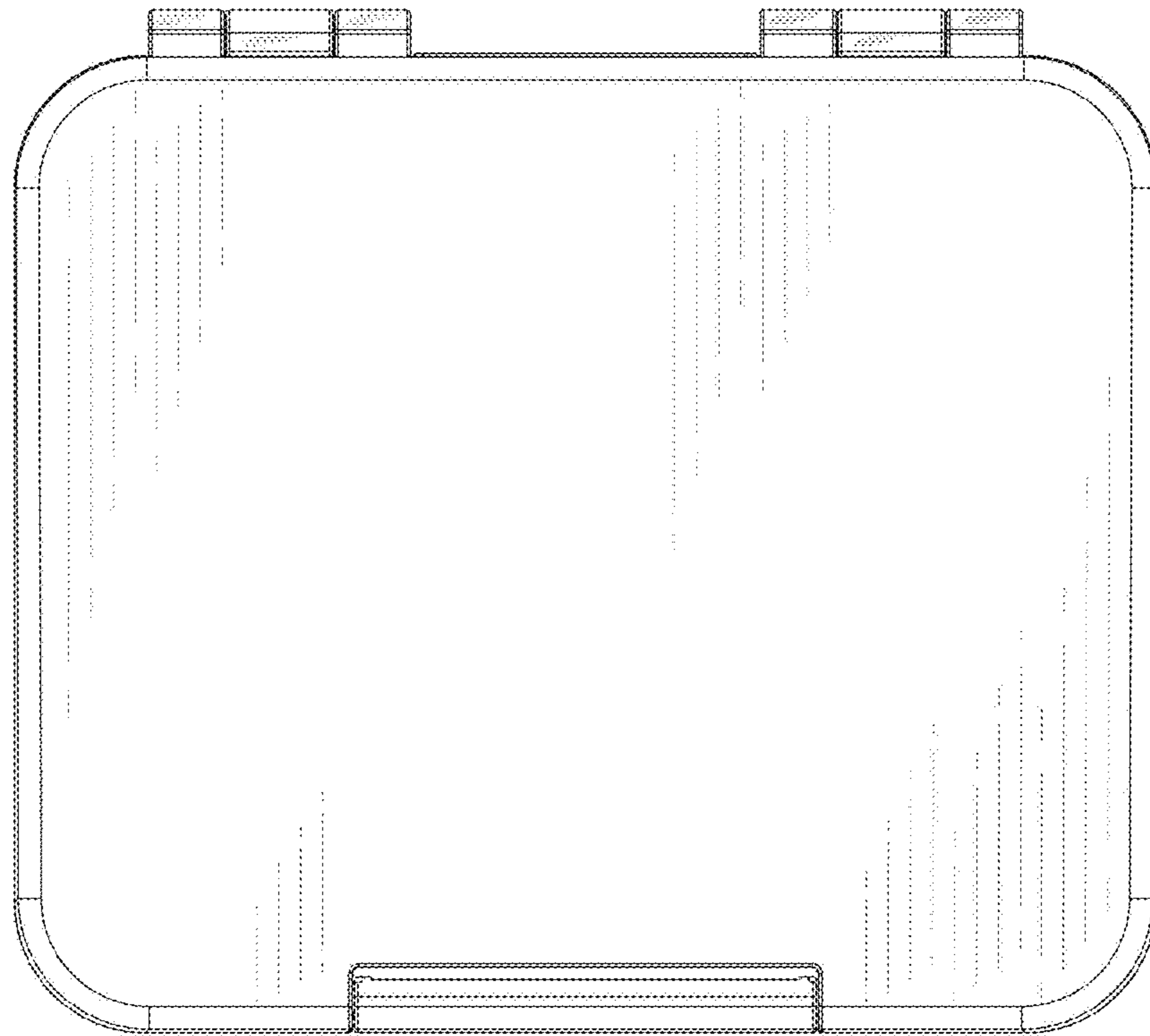


FIG. 2

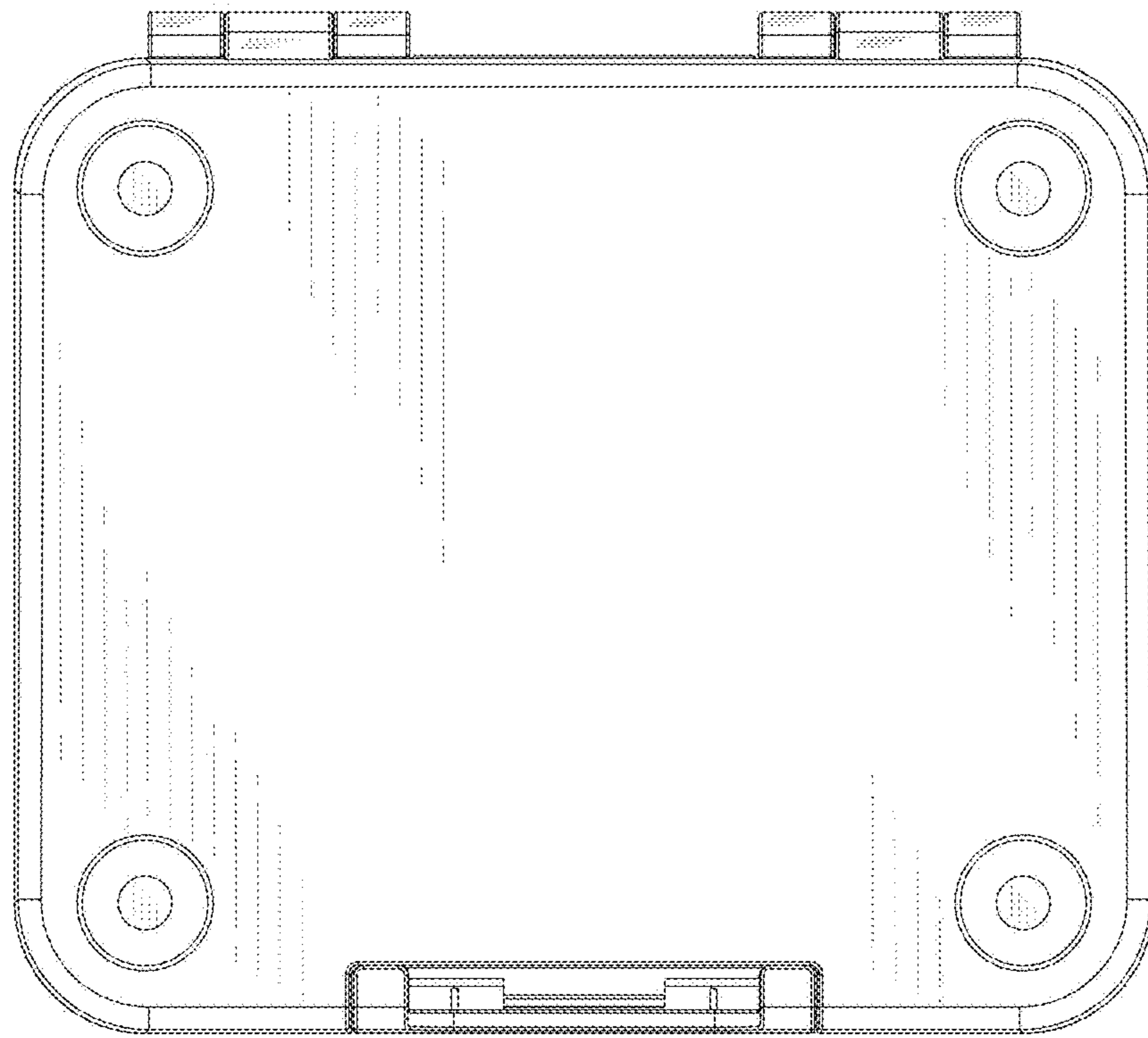


FIG. 3

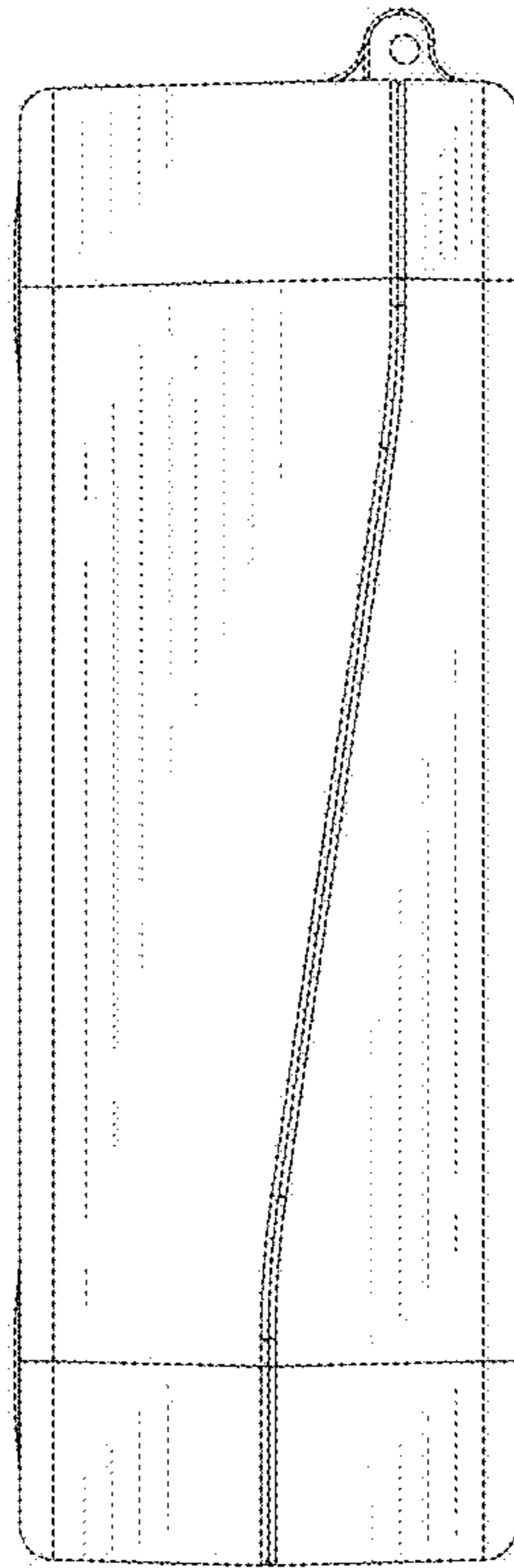


FIG. 4

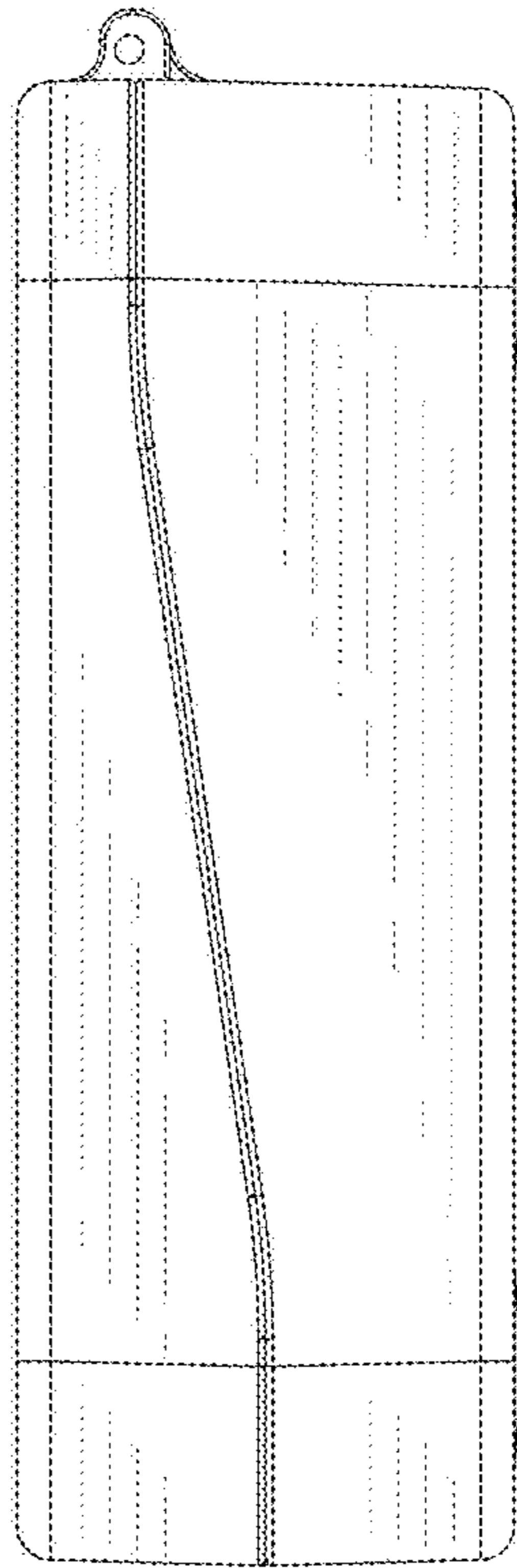


FIG. 5

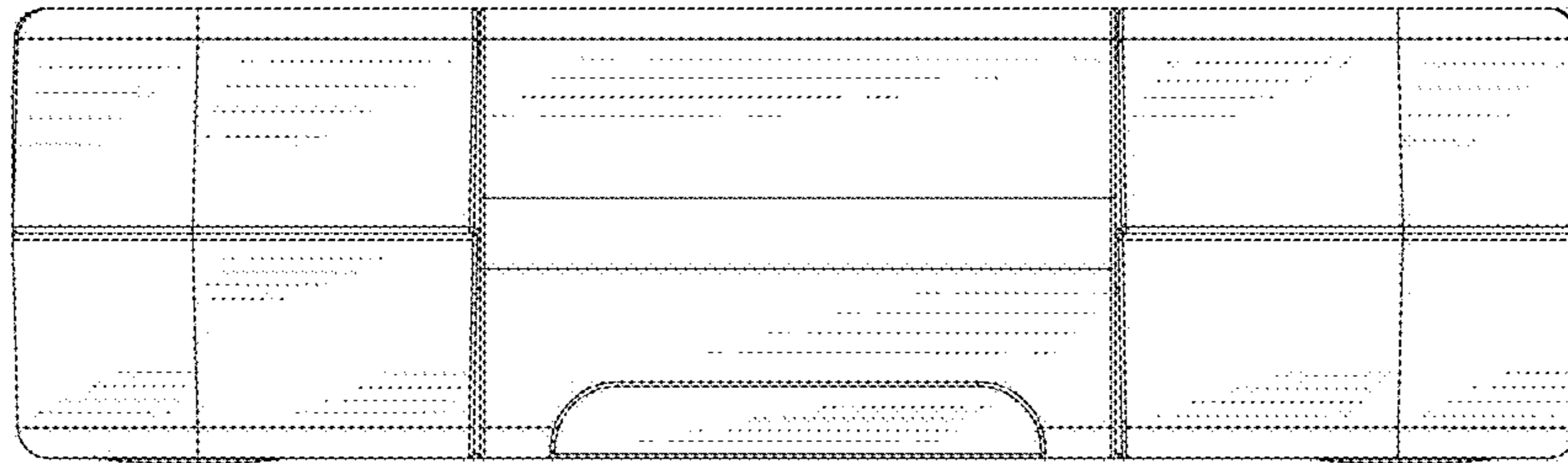


FIG. 6

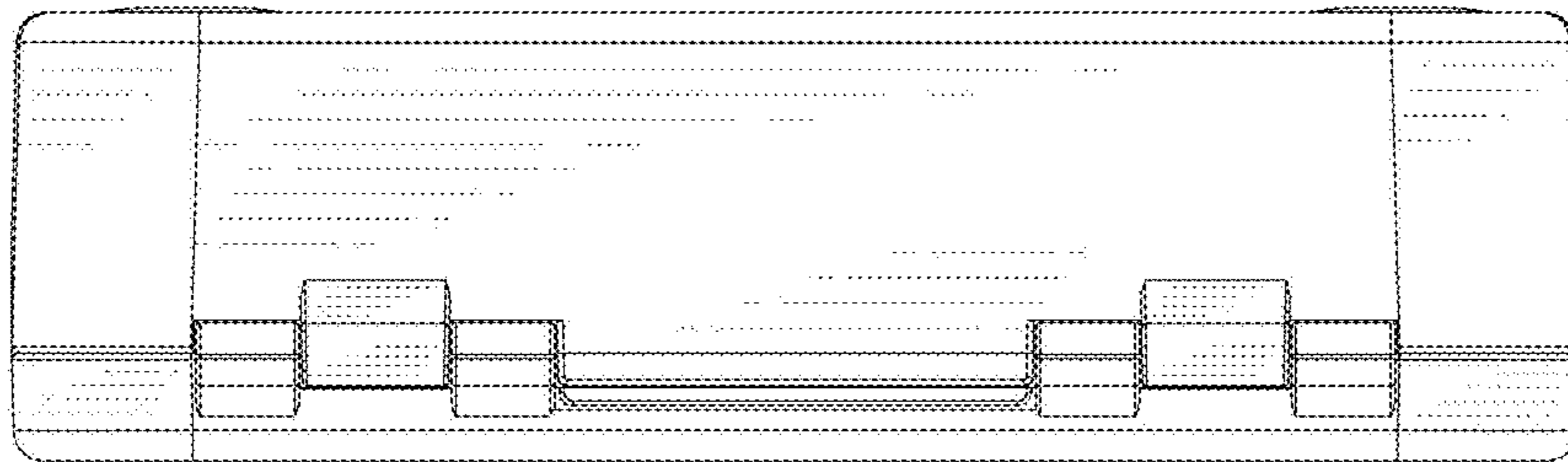


FIG. 7

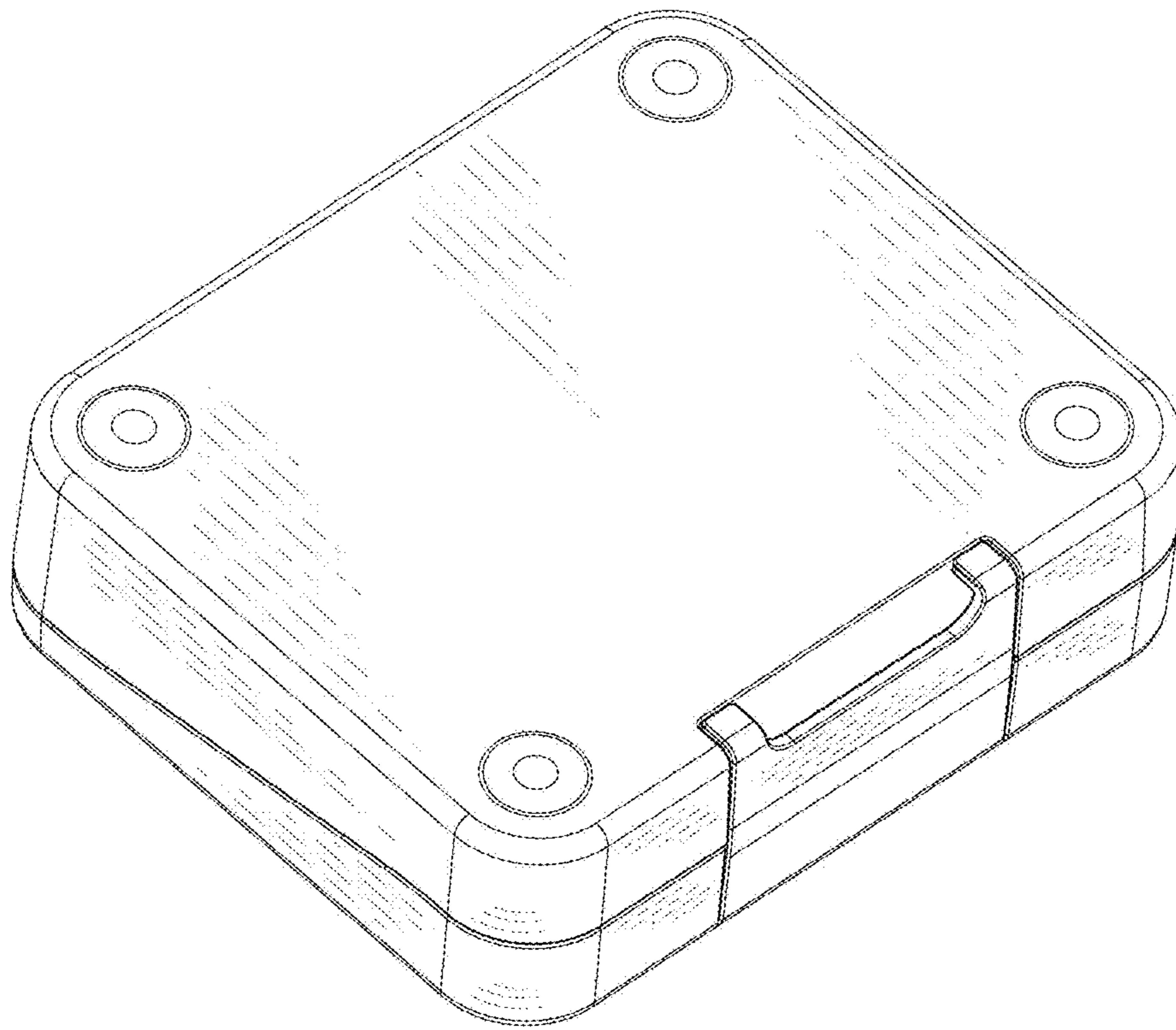


FIG. 8

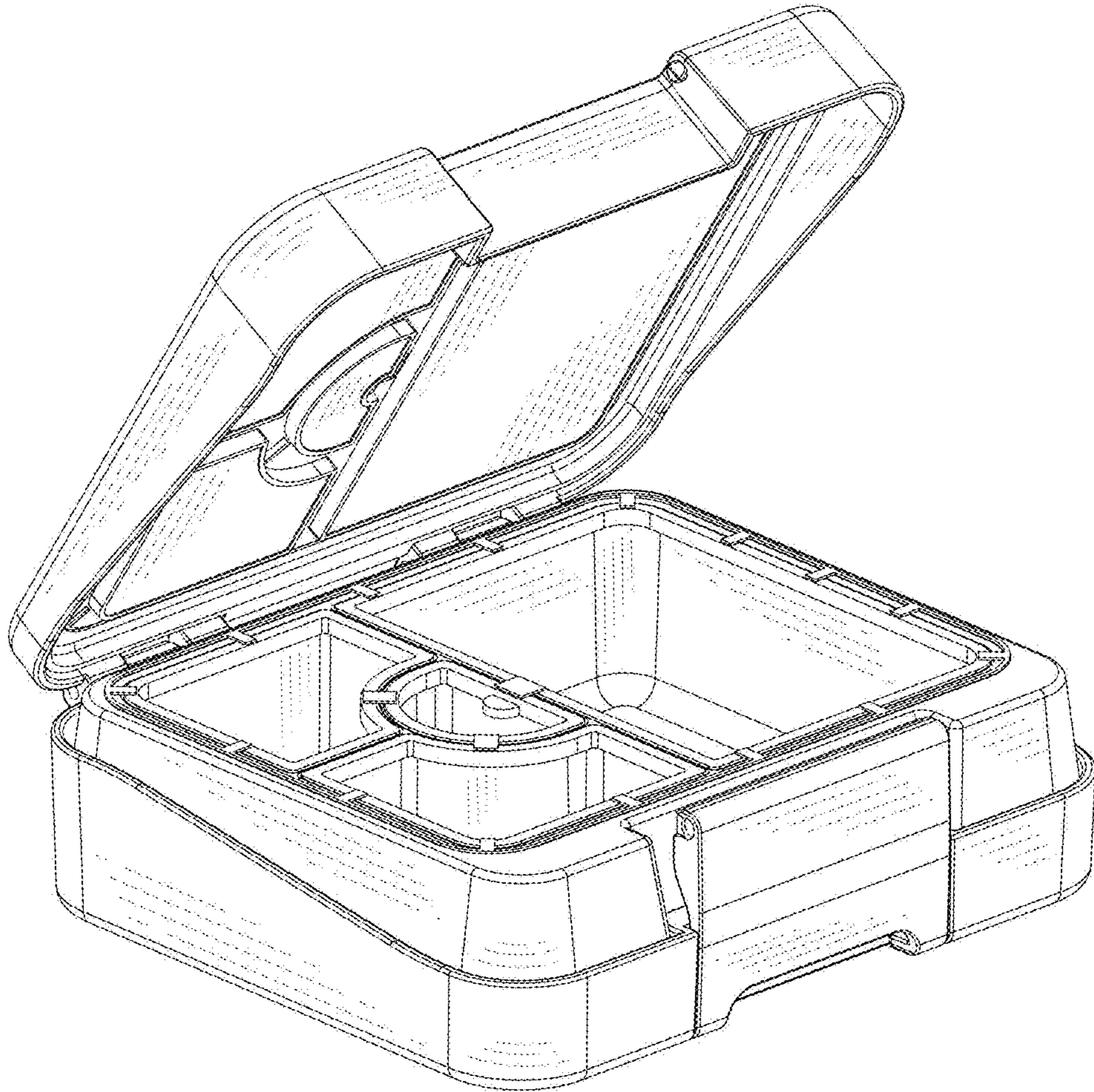


FIG. 9