



US00D951726S

(12) **United States Design Patent**
Alzheimer

(10) **Patent No.:** **US D951,726 S**

(45) **Date of Patent:** **** May 17, 2022**

(54) **CUTTING BOARD**

(71) Applicant: **ANCHOR HOCKING, LLC**,
Columbus, OH (US)

(72) Inventor: **Dana W. Alzheimer**, Columbus, OH
(US)

(73) Assignee: **ANCHOR HOCKING, LLC**,
Columbus, OH (US)

(**) Term: **15 Years**

(21) Appl. No.: **29/803,166**

(22) Filed: **Aug. 11, 2021**

Related U.S. Application Data

(63) Continuation of application No. 29/778,693, filed on
Apr. 14, 2021, now Pat. No. Des. 930,446, which is
a continuation of application No. 29/726,907, filed on
Mar. 6, 2020, now Pat. No. Des. 920,749.

(51) **LOC (13) Cl.** **07-04**

(52) **U.S. Cl.**
USPC **D7/698**

(58) **Field of Classification Search**
USPC D7/398, 543, 549, 550.1, 586, 698-699;
D32/1, 55-57
CPC A47J 47/00; A47J 47/005; A47J 47/20;
B26D 7/0006; B26D 7/018; B26D 7/20;
B23D 21/00; B23K 37/04; B23K 37/053;
B23Q 16/001
See application file for complete search history.

(56) **References Cited**

U.S. PATENT DOCUMENTS

D159,881 S * 8/1950 Zekowski D7/698
D161,596 S * 1/1951 Russ D7/698
2,609,024 A * 9/1952 Russ A47J 47/005
269/15

D372,176 S * 7/1996 Meisner D7/698
D381,564 S * 7/1997 Kolada D7/698
D605,908 S * 12/2009 Pearl D7/698
D721,915 S * 2/2015 Khuu D7/398
D803,640 S * 11/2017 Grimm D7/698
D887,228 S * 6/2020 Kwiatkowski D7/698
D920,749 S * 6/2021 Alzheimer D7/698
D926,538 S * 8/2021 Kim D7/698

(Continued)

OTHER PUBLICATIONS

Kordes Rustic Small Wood Cutting Board. Date First Available on
Amazon.com Dec. 16, 2020. <https://www.amazon.com/Rustic-Small-Cutting-Board-1/dp/B08QRGN4QP/ref> (Year: 2020).*

Primary Examiner — Ricky Pham

(74) *Attorney, Agent, or Firm* — Tucker Ellis, LLP

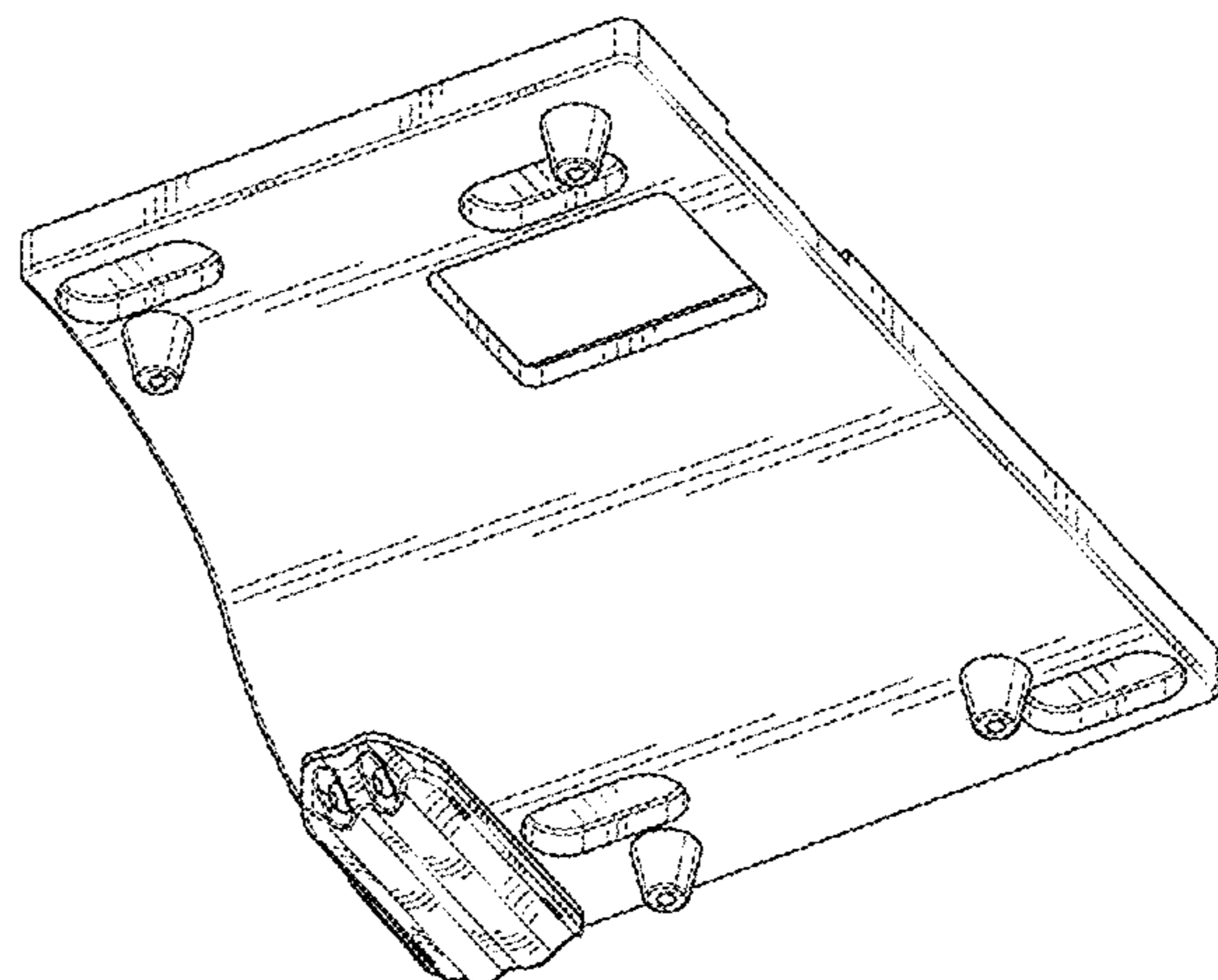
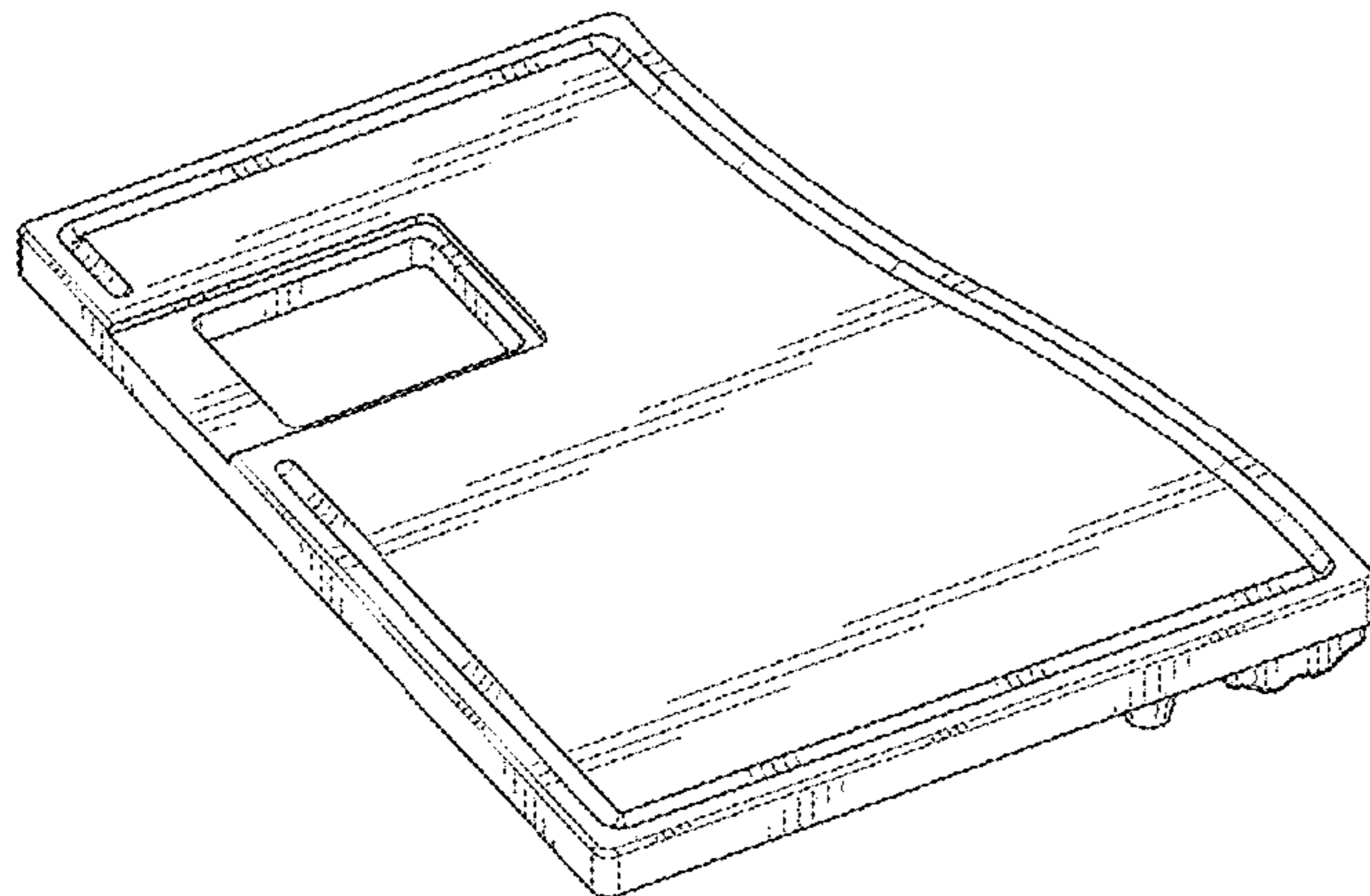
(57) **CLAIM**

The ornamental design for a cutting board, as shown and
described.

DESCRIPTION

FIG. 1 is a top perspective view of an embodiment of a
cutting board showing a new design;
FIG. 2 is a bottom perspective view of the cutting board
illustrated in FIG. 1;
FIG. 3 is a left side view of the cutting board illustrated in
FIG. 1;
FIG. 4 is a right side view of the cutting board illustrated in
FIG. 1;
FIG. 5 is a top view of the cutting board illustrated in FIG.
1;
FIG. 6 is a bottom view of the cutting board illustrated in
FIG. 1;
FIG. 7 is a front view of the cutting board illustrated in FIG.
1; and,
FIG. 8 is a rear view of the cutting board illustrated in FIG.
1.

1 Claim, 6 Drawing Sheets



(56)

References Cited

U.S. PATENT DOCUMENTS

D928,429 S * 8/2021 Ou Yang D32/1
D930,446 S * 9/2021 Altheimer D7/698

* cited by examiner

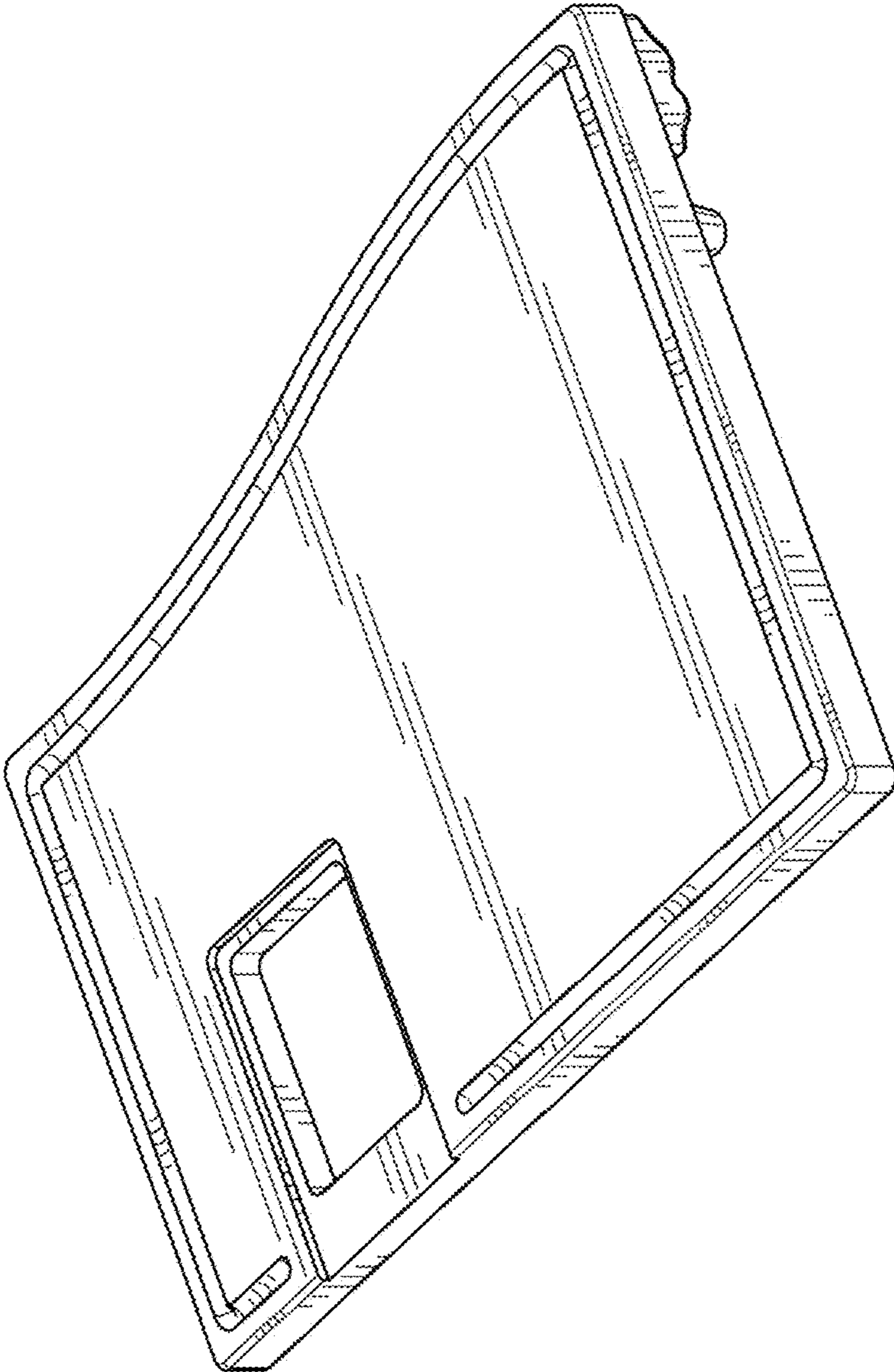


FIG. 1

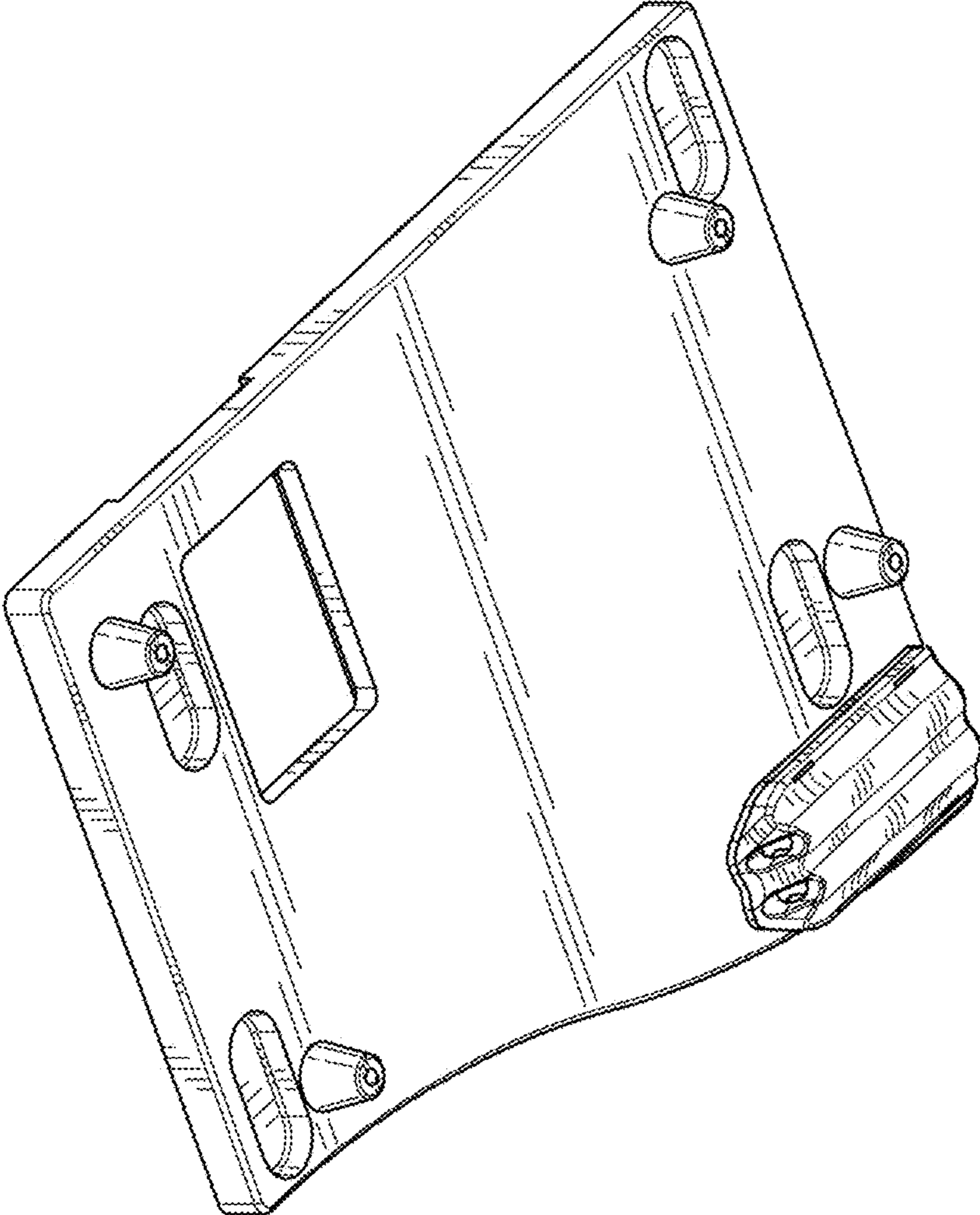


FIG. 2



FIG. 3

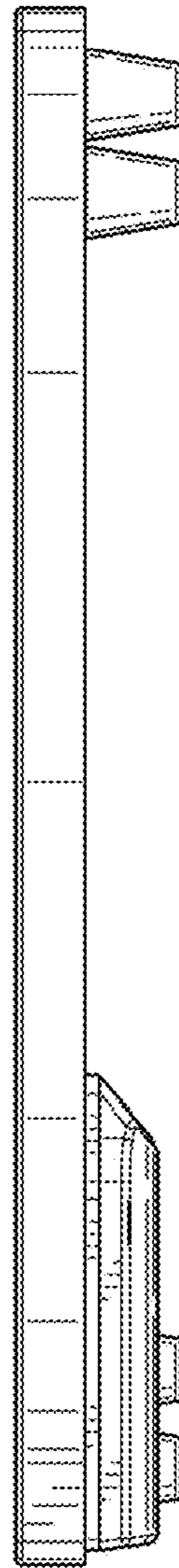


FIG. 4

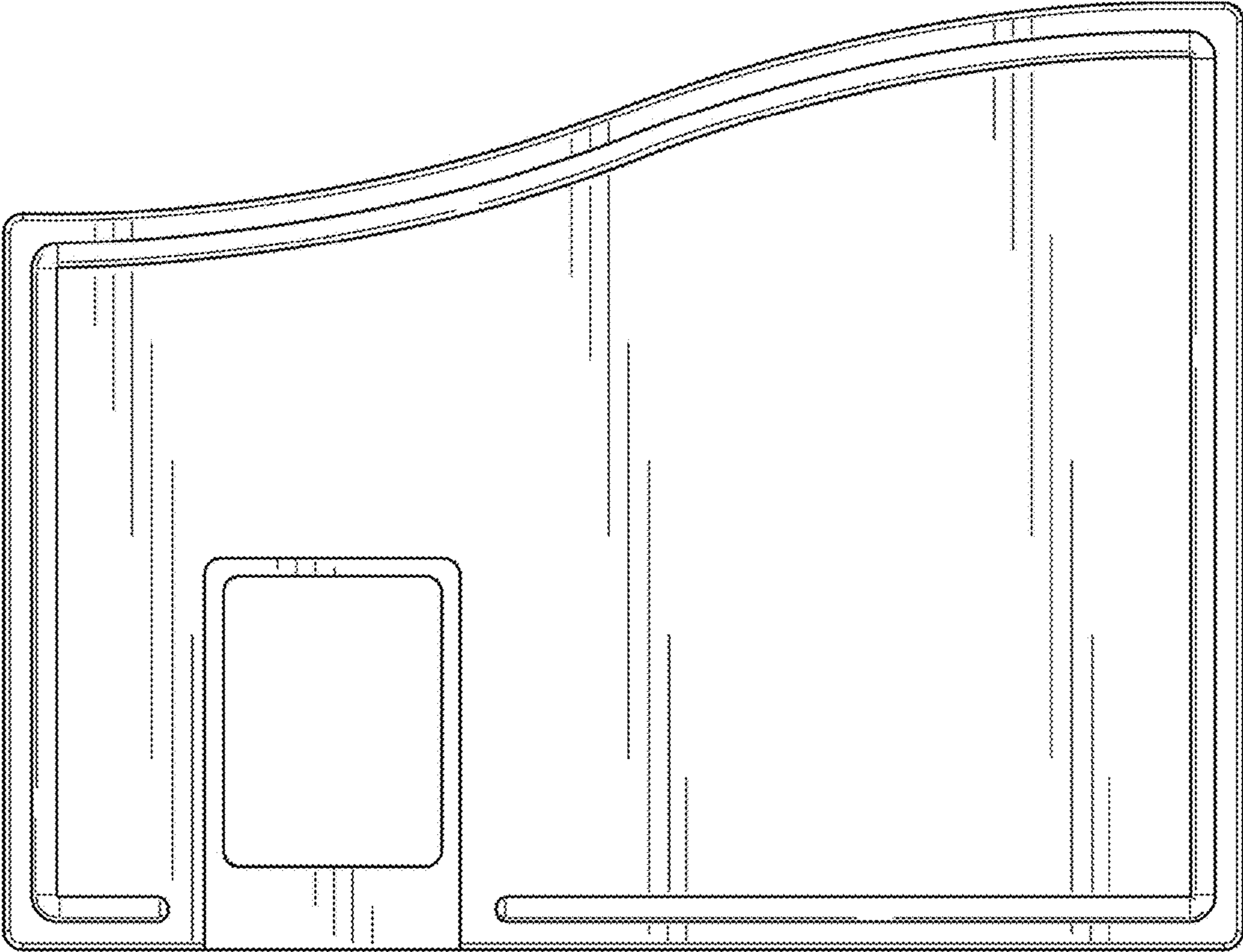


FIG. 5

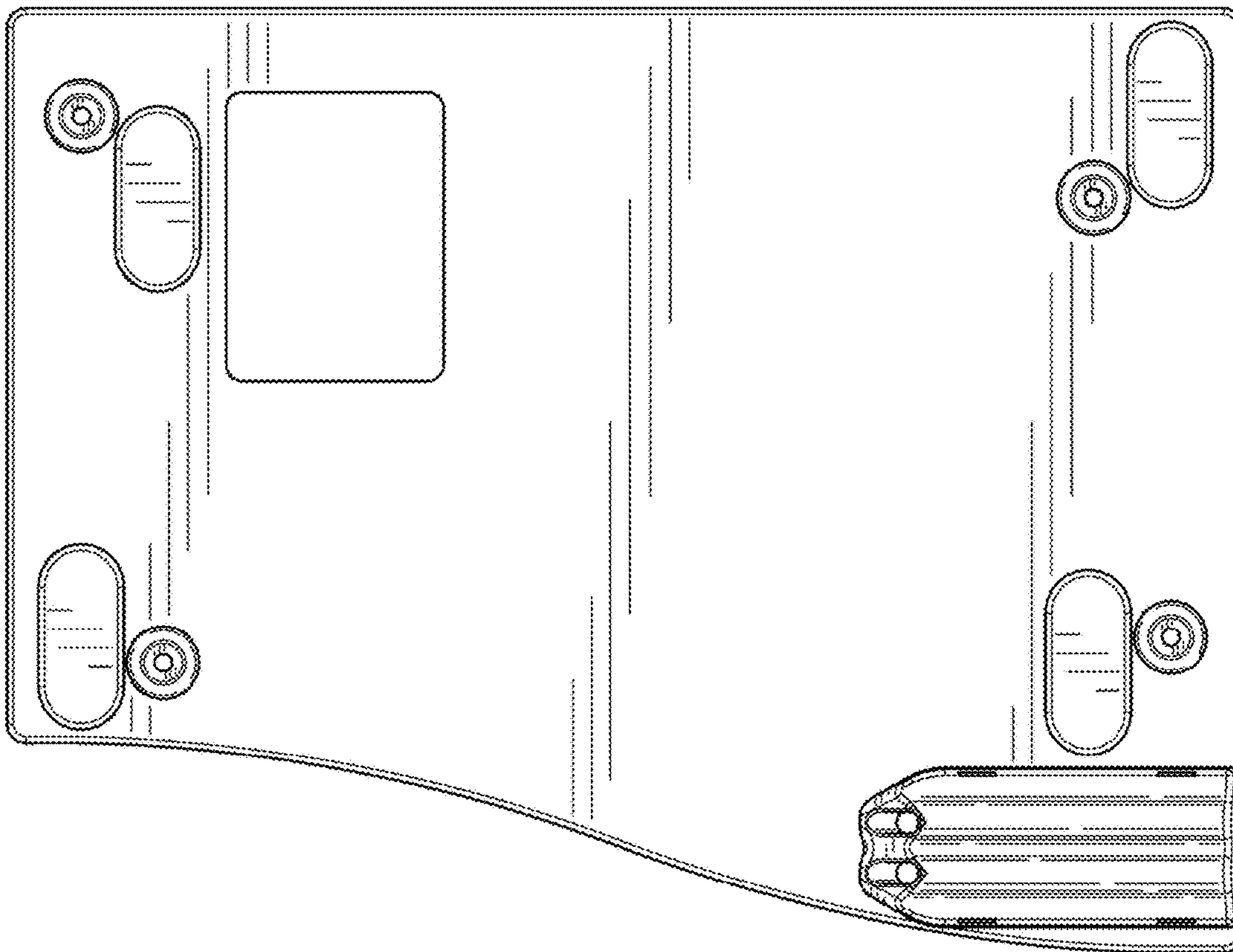


FIG. 6

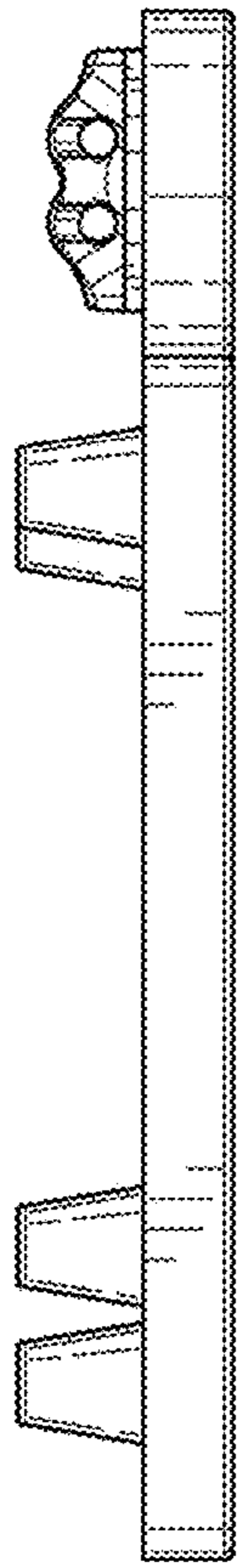


FIG. 7

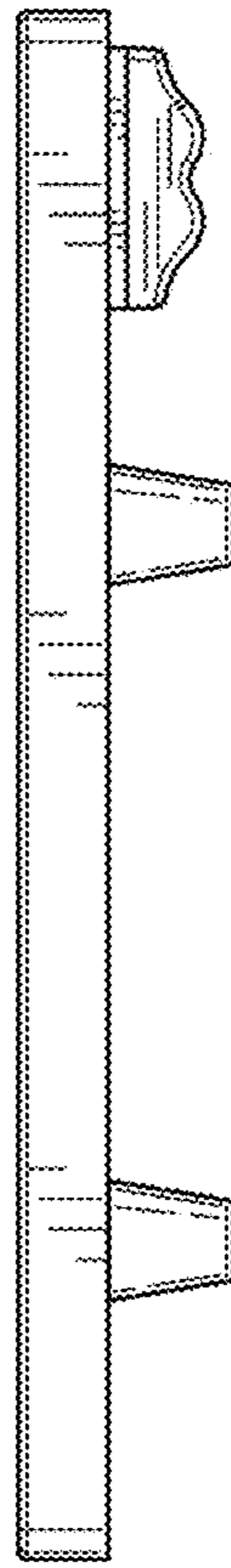


FIG. 8