



US00D951725S

(12) **United States Design Patent**
Hazelton et al.

(10) **Patent No.:** **US D951,725 S**

(45) **Date of Patent:** **** May 17, 2022**

(54) **PITTER FOR MULTIPLE CHERRIES**

(71) Applicants: **Lance Hazelton**, Maplewood, NJ (US);
Sebastian Ahlers, Wembley (GB)

(72) Inventors: **Lance Hazelton**, Maplewood, NJ (US);
Sebastian Ahlers, Wembley (GB)

(73) Assignee: **Helen of Troy Limited**, St. Michael
(BB)

(**) Term: **15 Years**

(21) Appl. No.: **29/710,859**

(22) Filed: **Oct. 27, 2019**

(51) **LOC (13) Cl.** **07-06**

(52) **U.S. Cl.**
USPC **D7/693**

(58) **Field of Classification Search**
USPC D7/213, 372, 412, 683, 688, 689, 691,
D7/692, 693, 694, 695, 696
CPC A47F 13/08; B65D 61/246; A47J 23/00
See application file for complete search history.

(56) **References Cited**

U.S. PATENT DOCUMENTS

11,046,229 B1 * 6/2021 Natwick B60N 3/102
2010/0199863 A1 * 8/2010 Kaposi A47J 23/00
99/553
2021/0235914 A1 * 8/2021 del Monte A47J 23/00

OTHER PUBLICATIONS

YouTube.com—OXO,OXO quick-release multi cherry pitter, Published Mar. 29, 2021, [site visited Sep. 2, 2021], Available on the Internet URL <https://www.youtube.com/watch?v=zqkrN7CJ52g> (Year: 2021).*

Bed Bath and Beyond website, OXO Good Grips Quick Release Multi-Cherry Pitter, Publication date unknown, [site visited Sep. 2, 2021], Available on the Internet URL <https://www.bedbathandbeyond.com/store/product/oxo-good-grips-reg-quick-release-multi-cherry-pitter/5565817> (Year: 2021).*

Amazon website, OXO Good Grips Quick Release Multi Cherry Pitter, Date first available on Amazon Jan. 27, 2021, [site visited Sep. 2, 2021], Available on the Internet URL <https://www.amazon.com/OXO-Grips-Release-Cherry-Pitter/dp/B08V6L7JJG> (Year: 2021).*

* cited by examiner

Primary Examiner — S. Bryan Reinholdt, Jr.

(74) *Attorney, Agent, or Firm* — Rankin, Hill & Clark LLP

(57) **CLAIM**

The ornamental design for a pitter for multiple cherries, as shown and described.

DESCRIPTION

FIG. 1 is a perspective view of a pitter for multiple cherries according to our new design, the pitter shown in an open configuration;

FIG. 2 is a perspective view of the pitter shown in a closed configuration;

FIG. 3 is a front elevation view of FIG. 2;

FIG. 4 is a rear elevation view of FIG. 2;

FIG. 5 is a right side elevation view of FIG. 2;

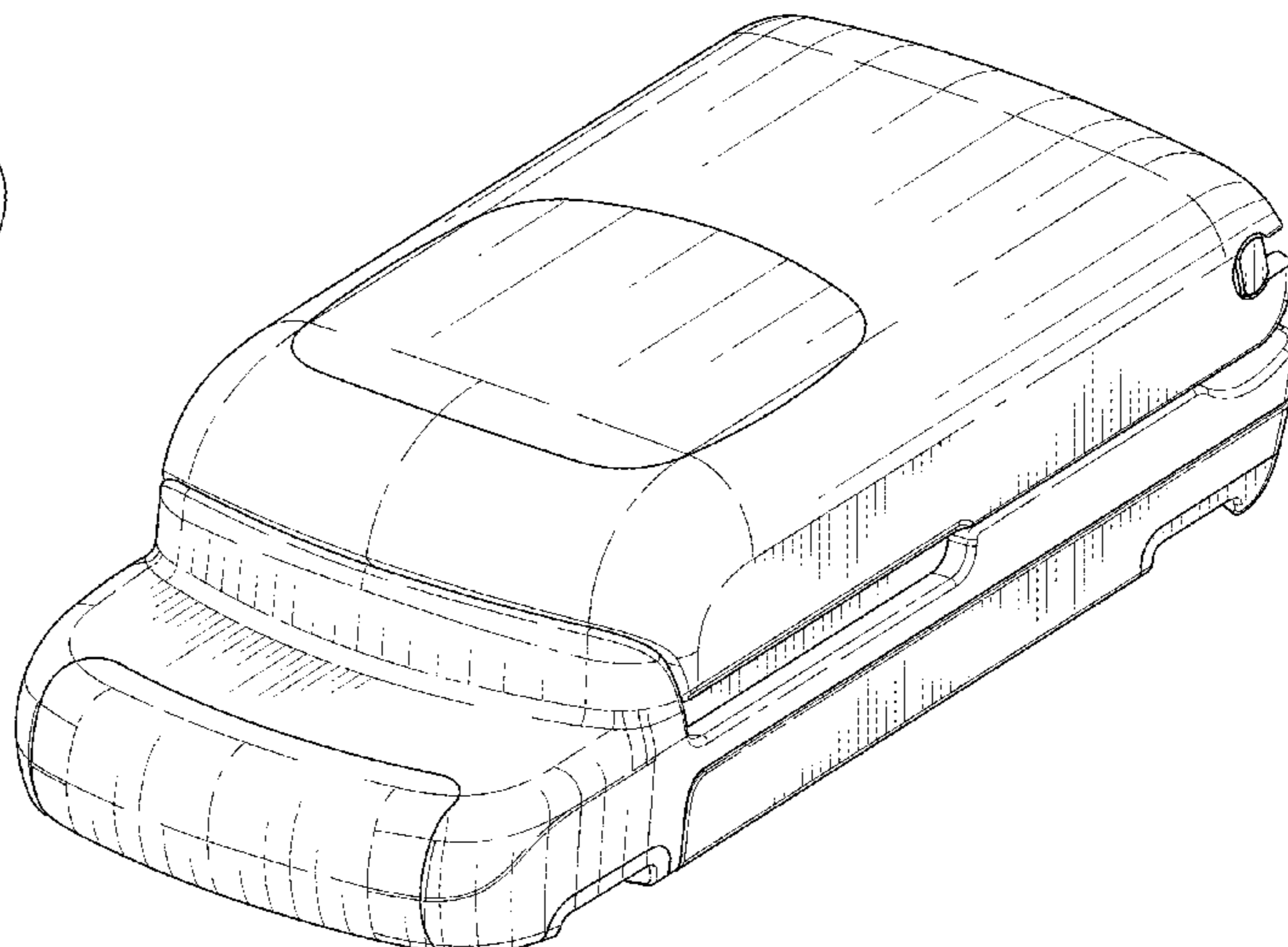
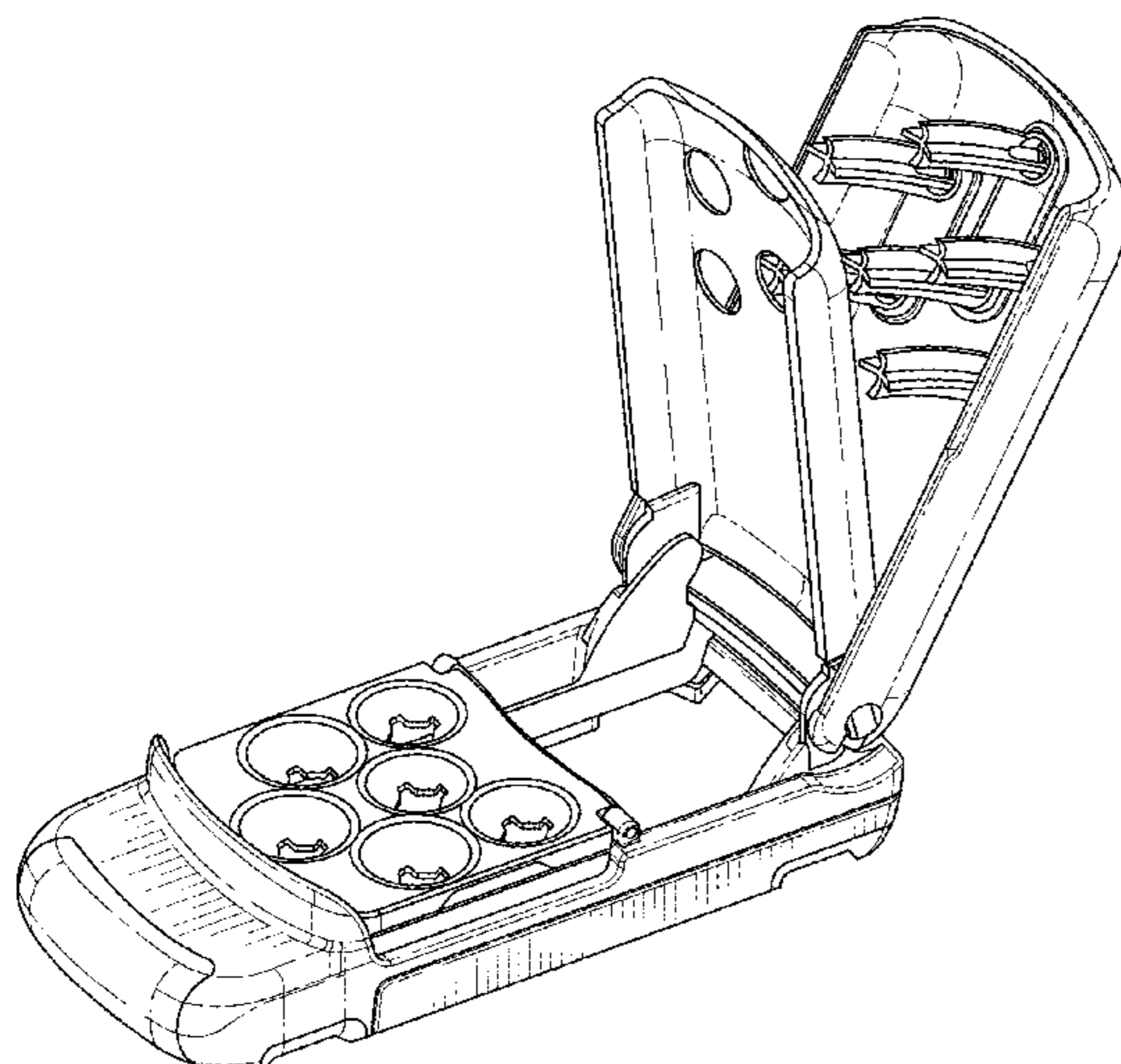
FIG. 6 is a left side elevation view of FIG. 2;

FIG. 7 is a top plan view of FIG. 2; and,

FIG. 8 is a bottom plan view of FIG. 2.

The broken lines in the drawings depict portions of the pitter for multiple cherries that form no part of the claimed design.

1 Claim, 7 Drawing Sheets



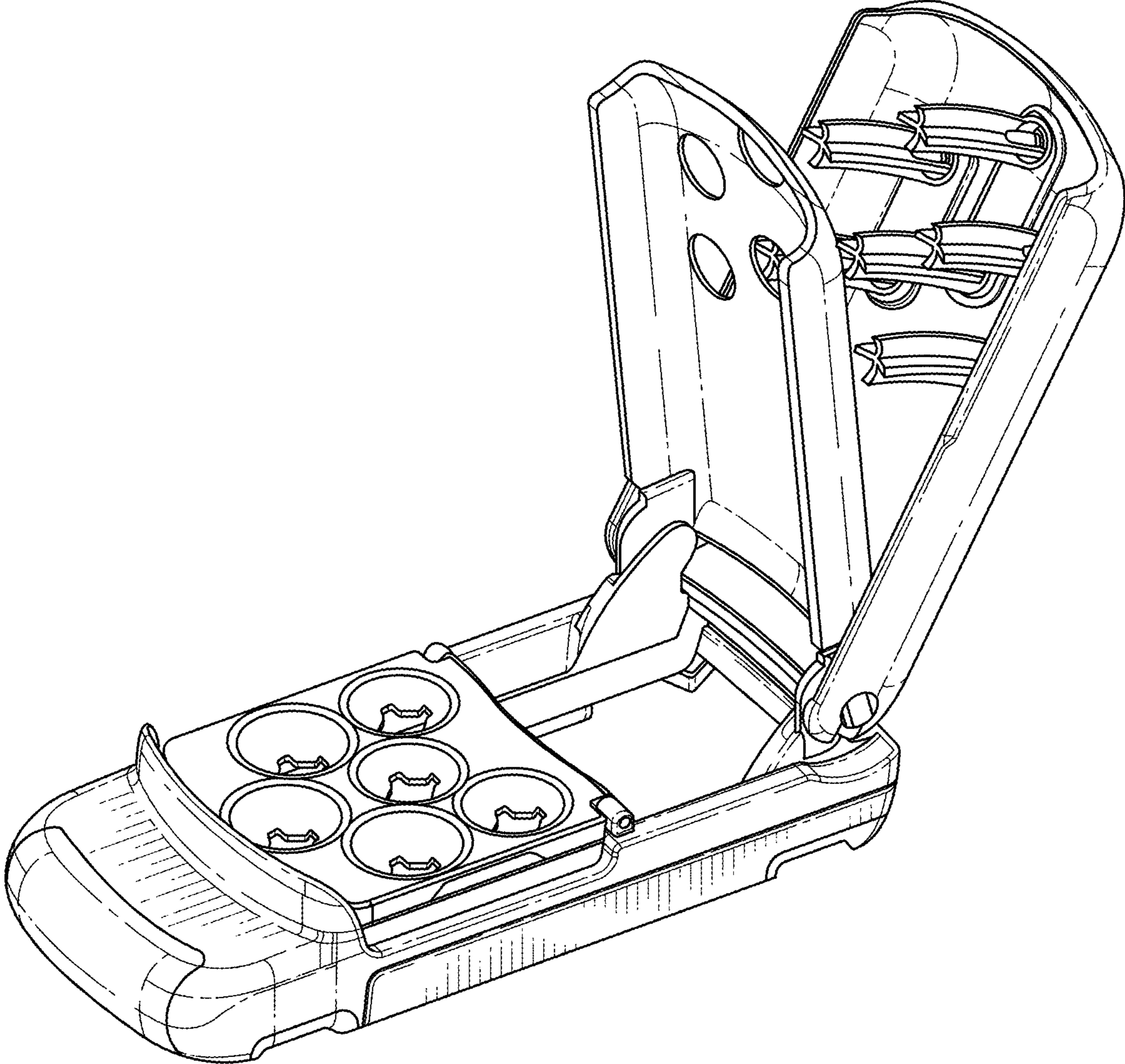


FIG. 1

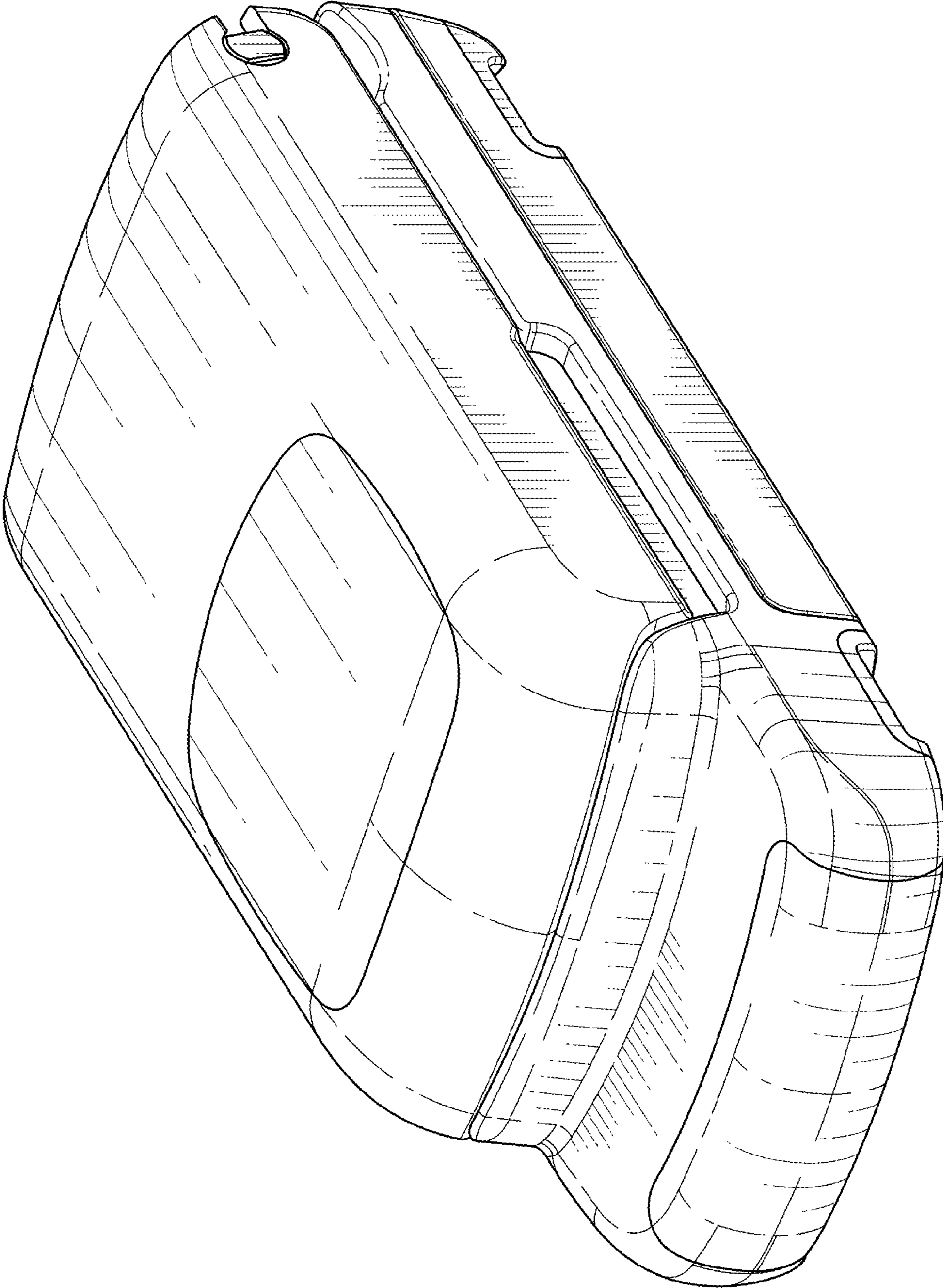


FIG. 2

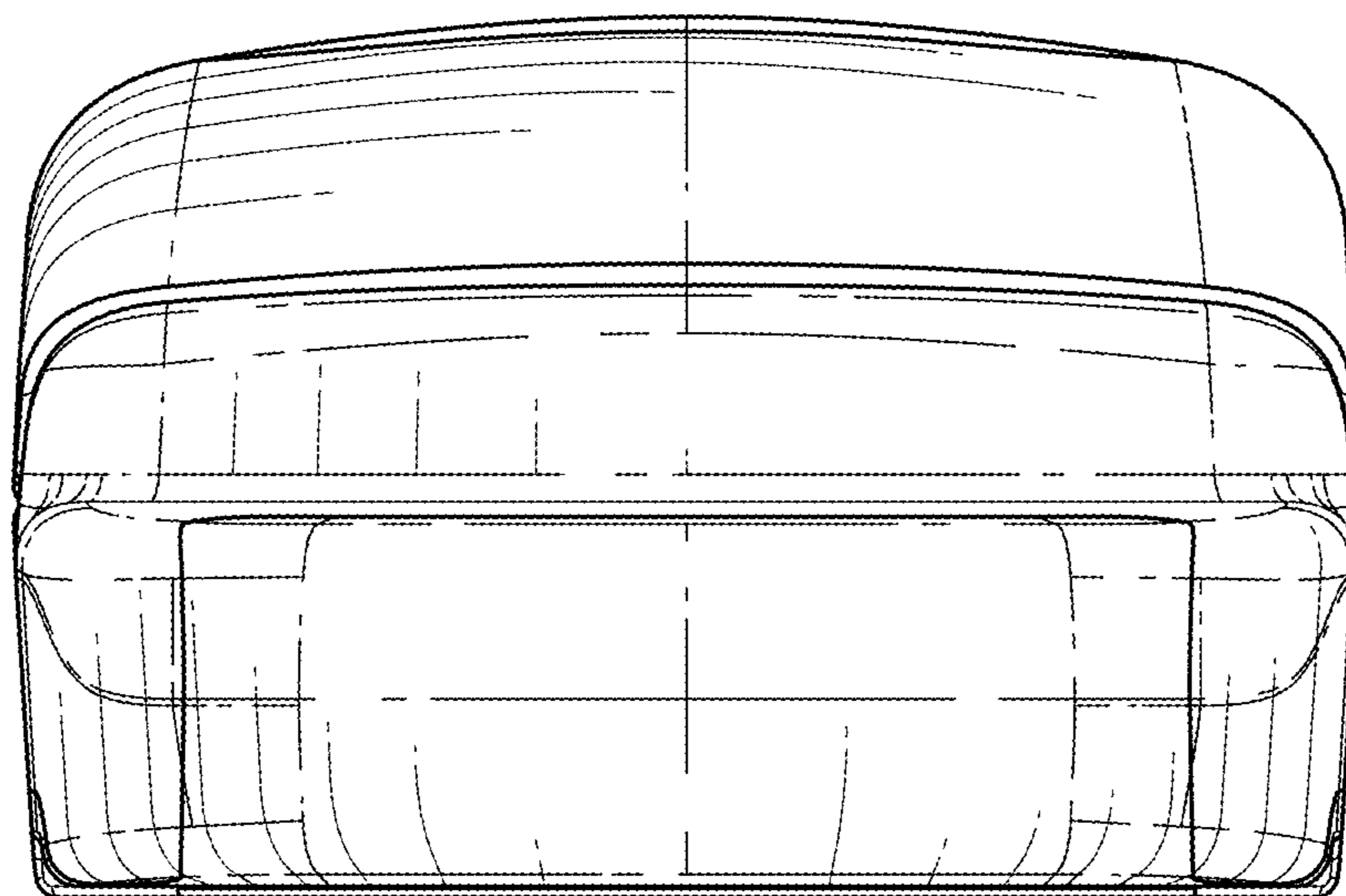


FIG. 3

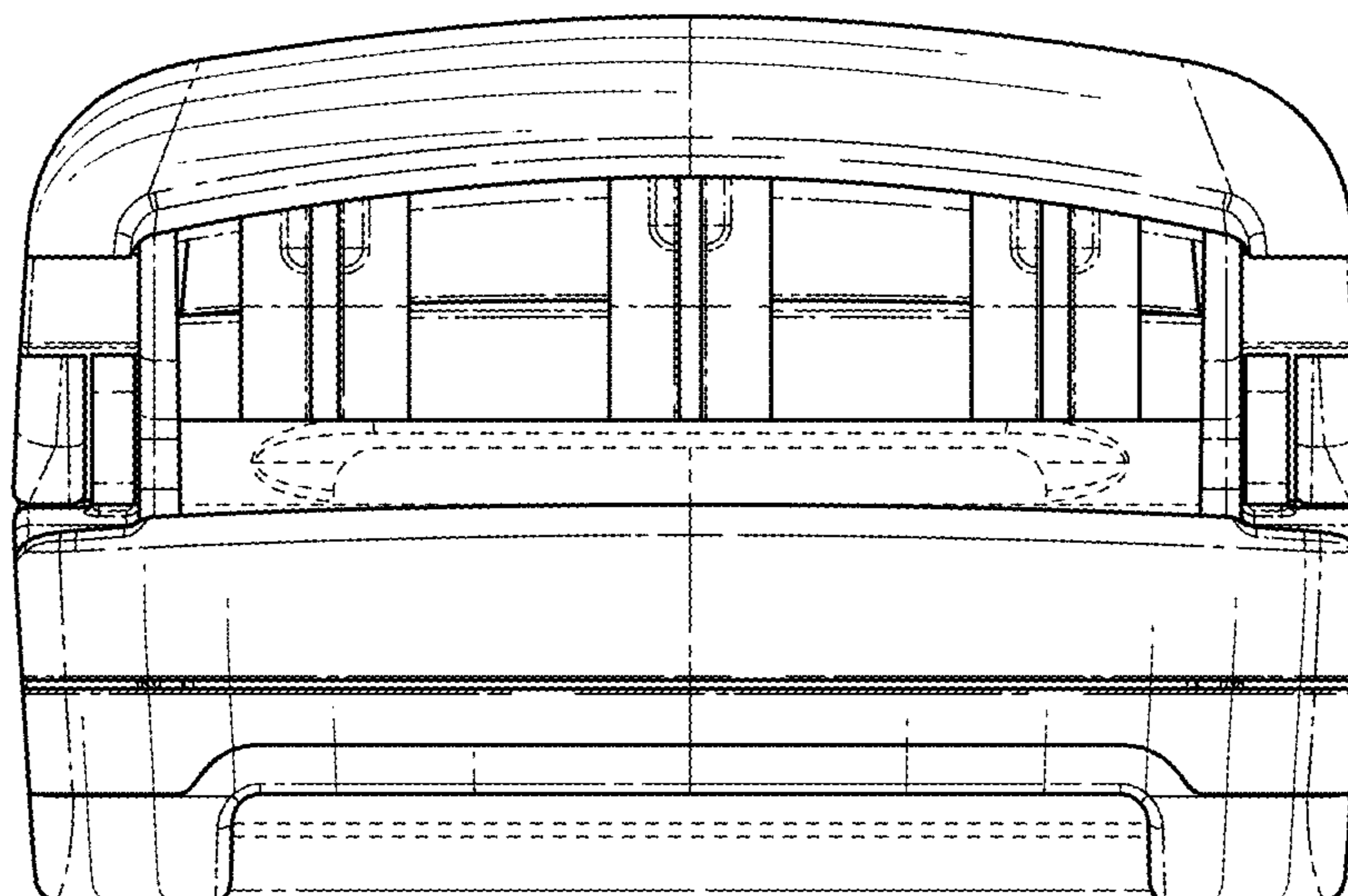


FIG. 4

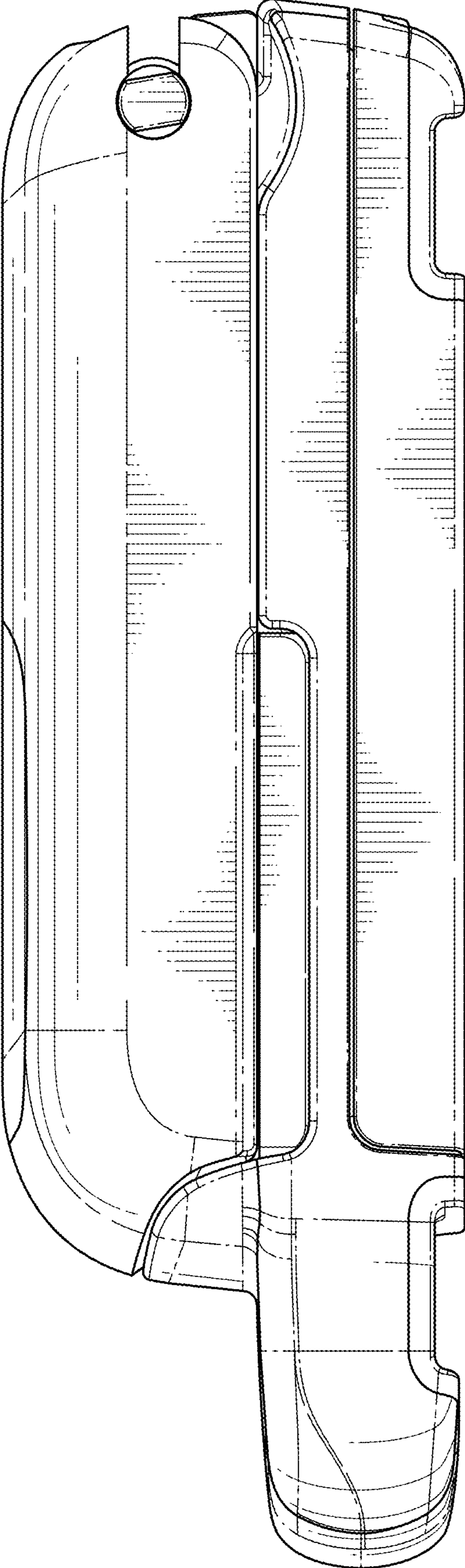


FIG. 5

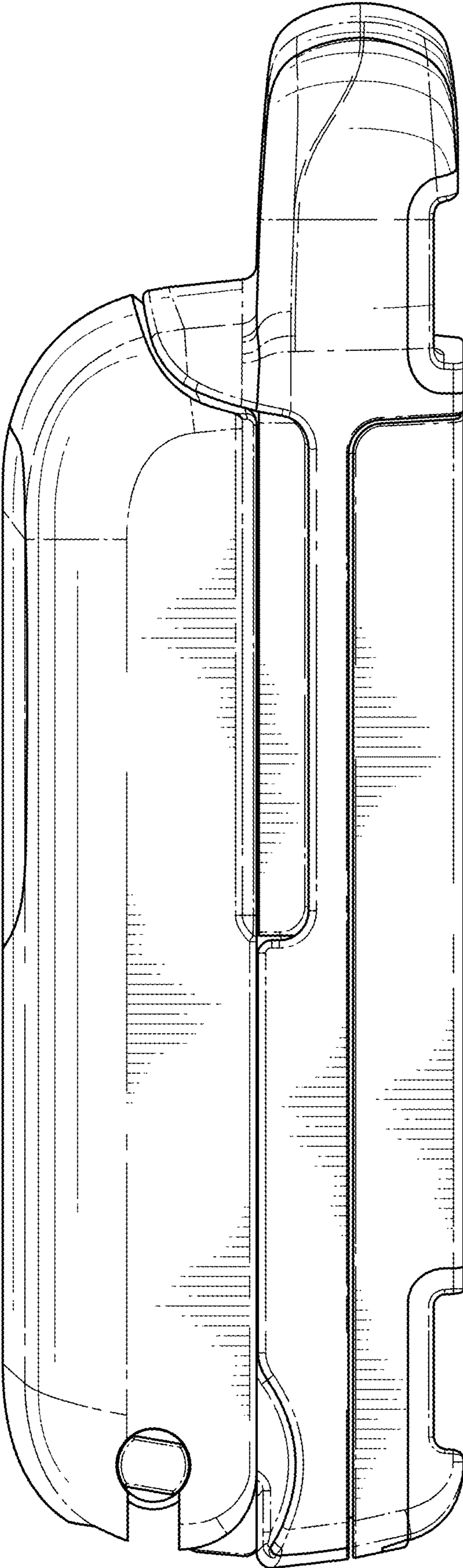


FIG. 6

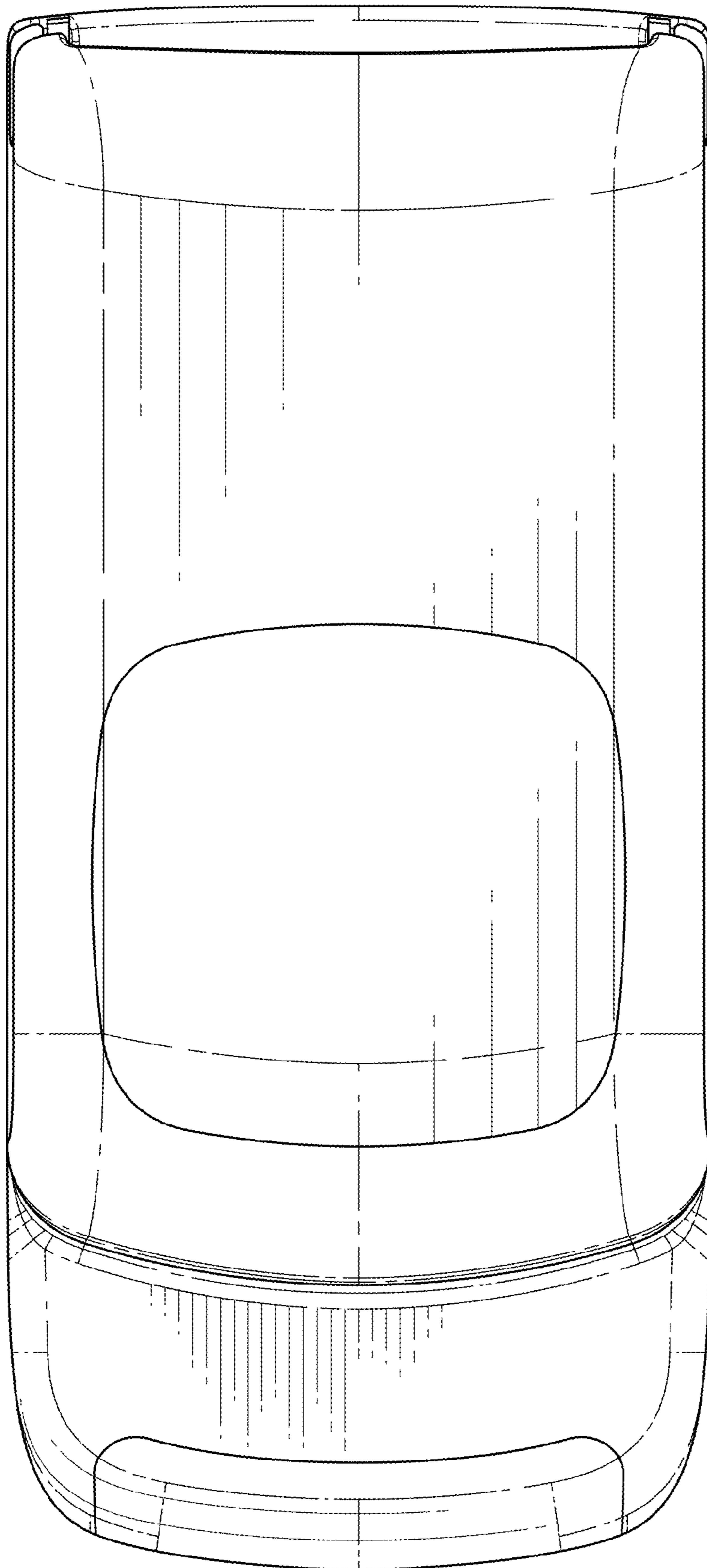


FIG. 7

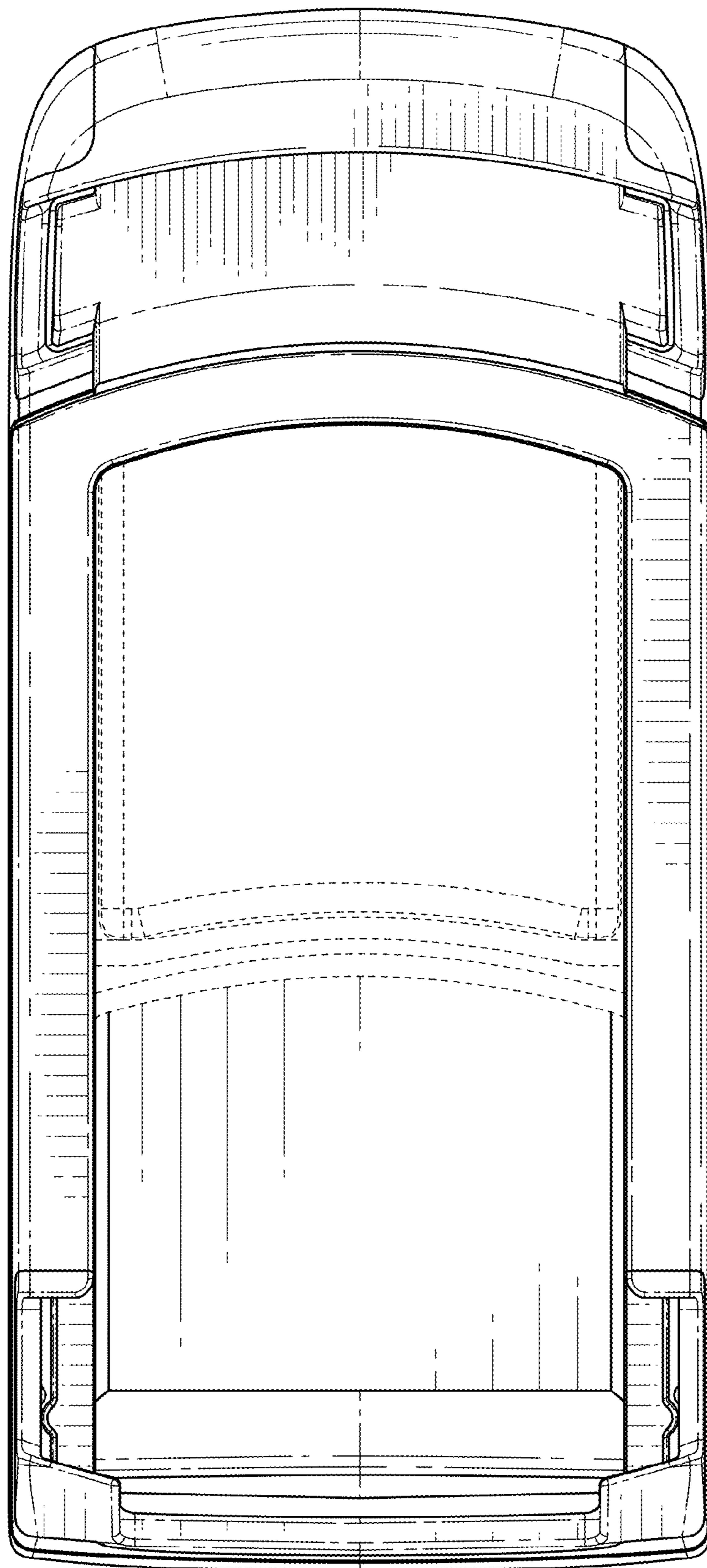


FIG. 8