



US00D951724S

(12) **United States Design Patent**
Zhang

(10) **Patent No.:** **US D951,724 S**

(45) **Date of Patent:** **** May 17, 2022**

(54) **SPATULA**

(71) Applicant: **Siduo Zhang**, Guangdong (CN)

(72) Inventor: **Siduo Zhang**, Guangdong (CN)

(73) Assignee: **GUANGZHOU BAOMEI NETWORK TECHNOLOGY CO., LTD.**, Guangzhou (CN)

(**) Term: **15 Years**

(21) Appl. No.: **29/786,997**

(22) Filed: **Jun. 3, 2021**

(51) **LOC (13) Cl.** **07-04**

(52) **U.S. Cl.**
USPC **D7/692; D7/688**

(58) **Field of Classification Search**
USPC D7/368, 669, 680-696, 393, 395
CPC A21B 3/003; A47G 21/045; A47G 21/04;
A47J 43/288; A47J 43/283; A47J 43/281;
A47J 43/00; A47J 43/28; A47J 43/282;
A47F 13/08; A61J 7/0023
See application file for complete search history.

(56) **References Cited**

U.S. PATENT DOCUMENTS

D167,088 S * 6/1952 Laughlin D7/691
D419,041 S * 1/2000 Frank D7/688

D442,427 S * 5/2001 Chau D7/688
D473,762 S * 4/2003 Kerr D7/688
D489,584 S * 5/2004 Cohen D7/692
D491,419 S * 6/2004 White D7/688
D495,216 S * 8/2004 Overthun D7/667
D501,374 S * 2/2005 Crowley D7/681
D507,725 S * 7/2005 White D7/647
D677,129 S * 3/2013 Genatossio D7/688
D913,055 S 3/2021 Lacotta et al.
D915,844 S 4/2021 Xie

* cited by examiner

Primary Examiner — Terry A Wallace

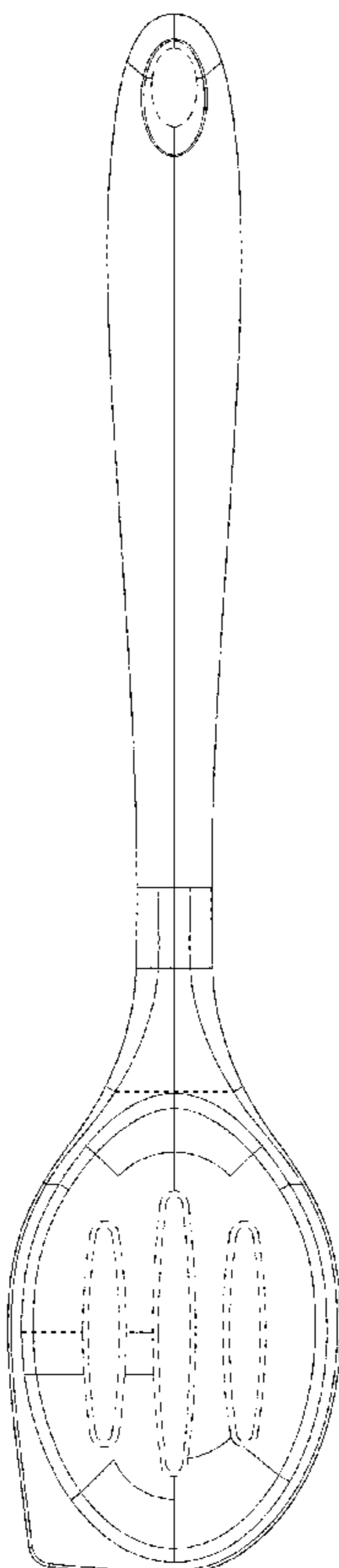
(57) **CLAIM**

The ornamental design for a spatula, as shown and described.

DESCRIPTION

FIG. 1 is a front, left side perspective view of a spatula showing my new design;
FIG. 2 is a rear, right side perspective view thereof;
FIG. 3 is a front elevation view thereof;
FIG. 4 is a rear elevation view thereof;
FIG. 5 is a left side elevation view thereof, the right side elevation view being a mirror image of the left side elevation view;
FIG. 6 is an enlarged top plan view thereof; and,
FIG. 7 is an enlarged bottom plan view thereof.
The broken lines in the drawings illustrate portions of the spatula that form no part of the claimed design.

1 Claim, 7 Drawing Sheets



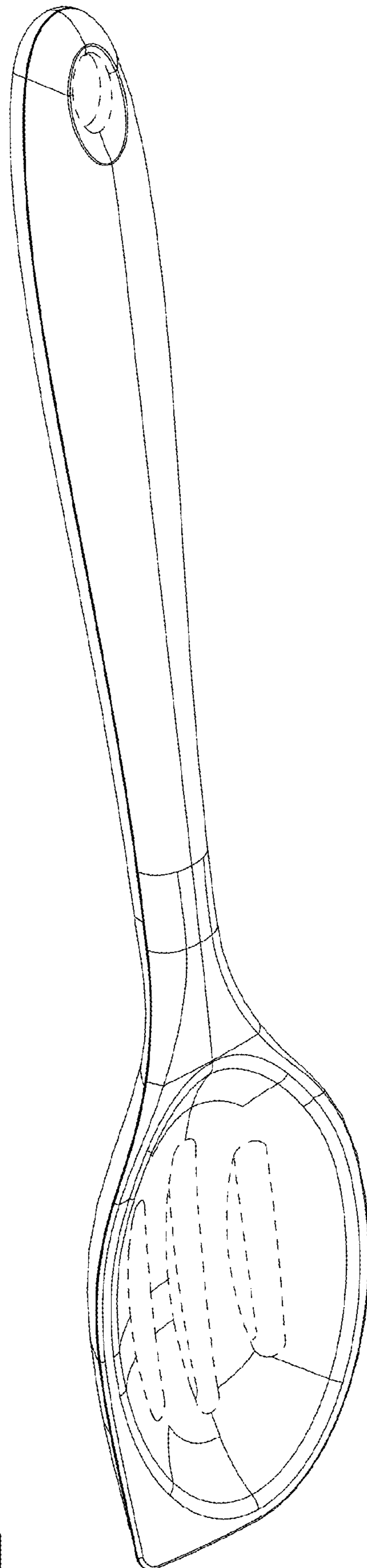


FIG.1

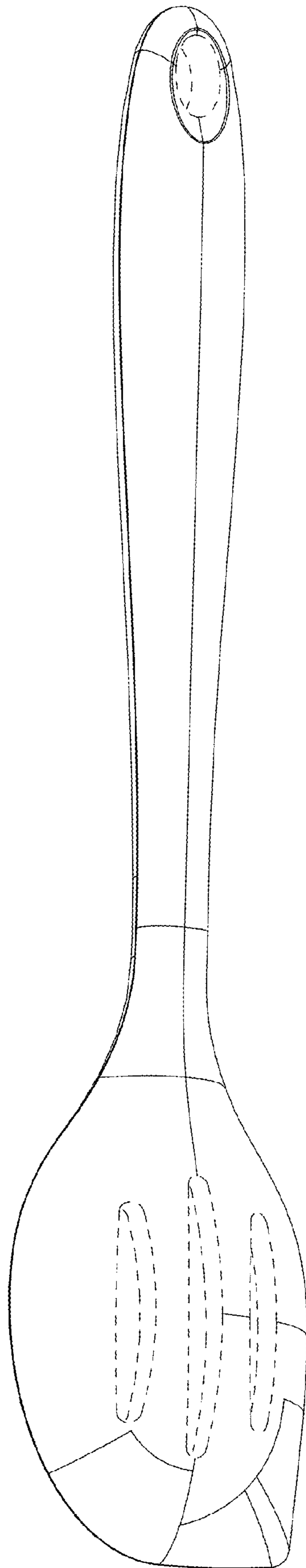


FIG.2

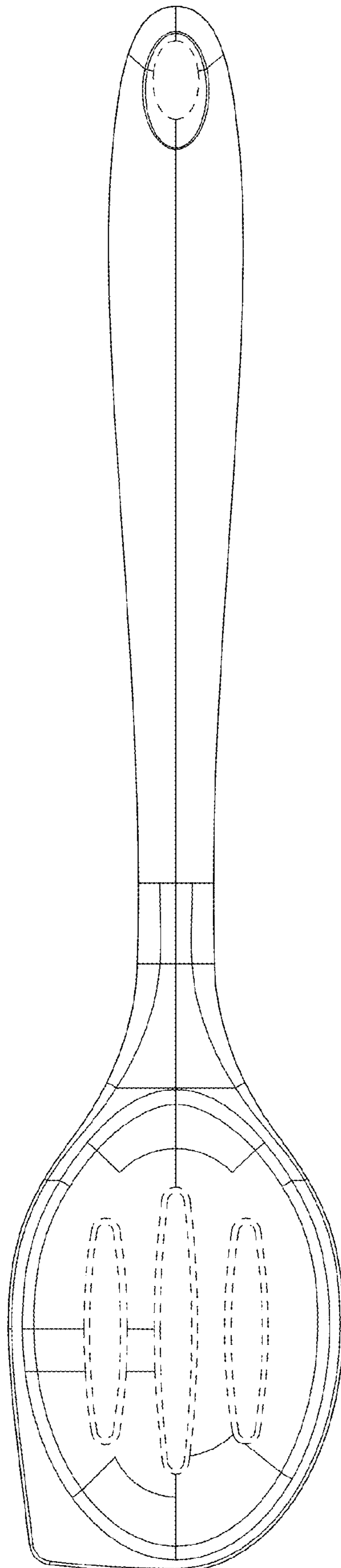


FIG.3

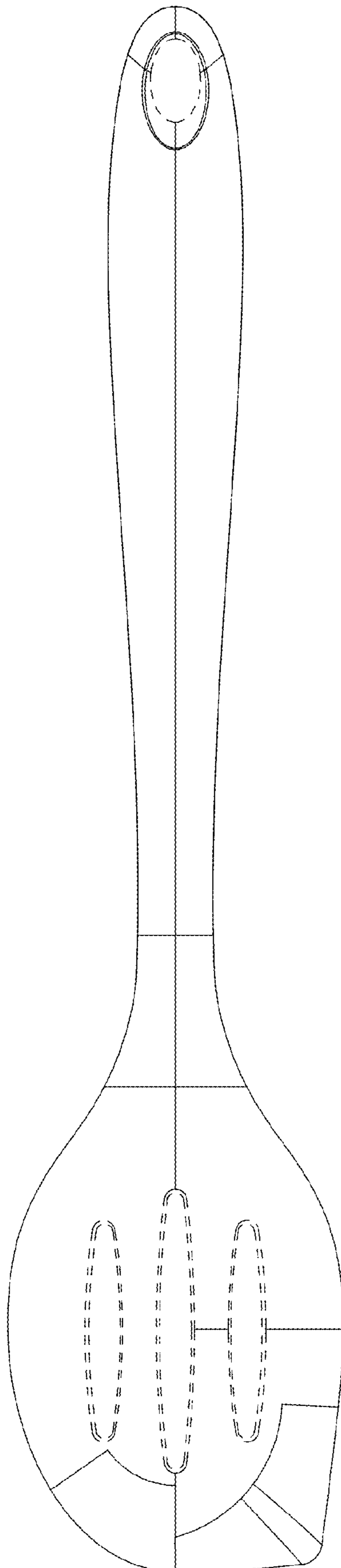


FIG.4

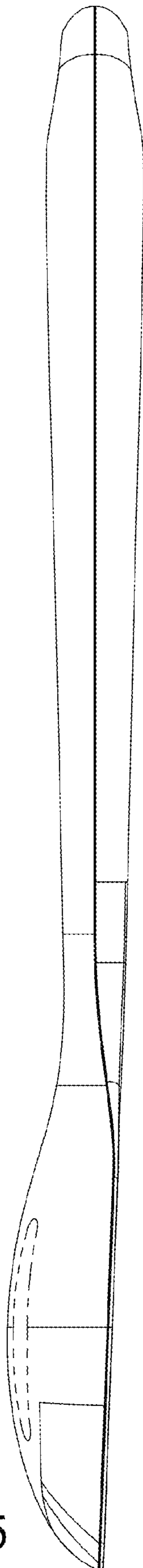


FIG.5

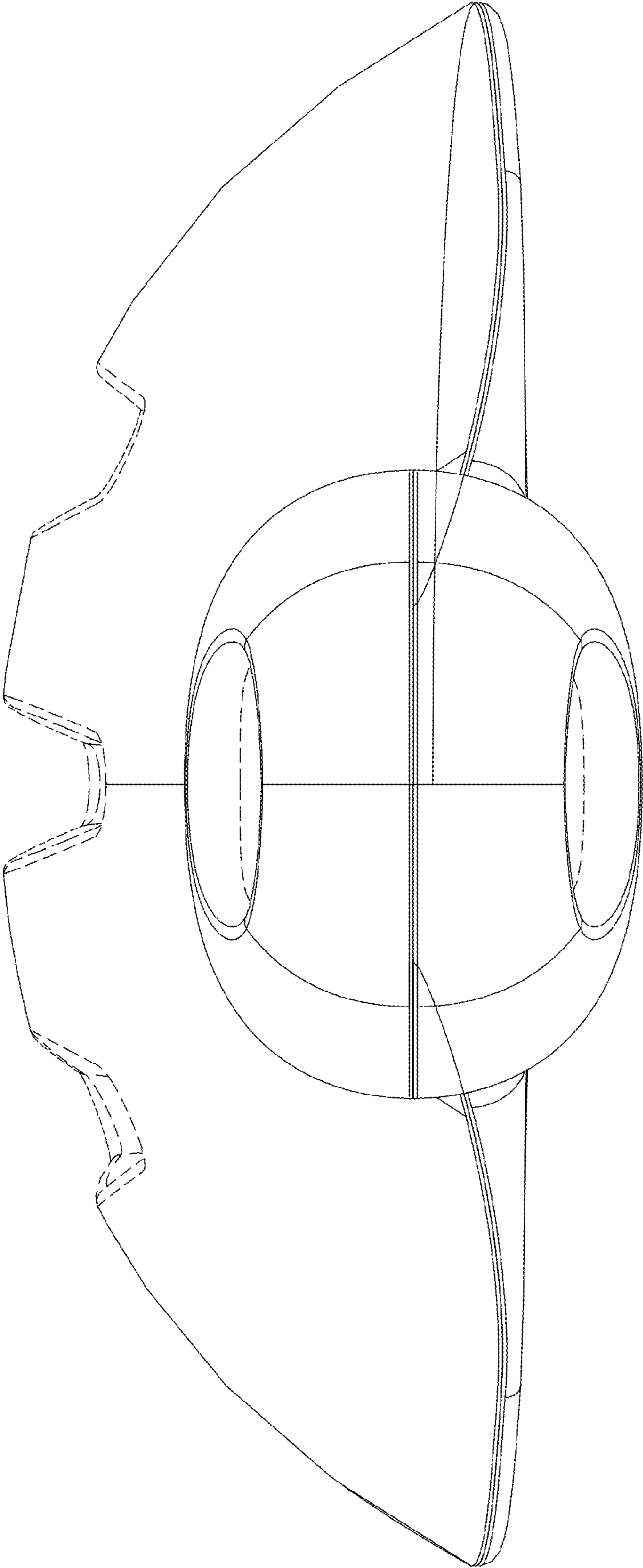


FIG.6

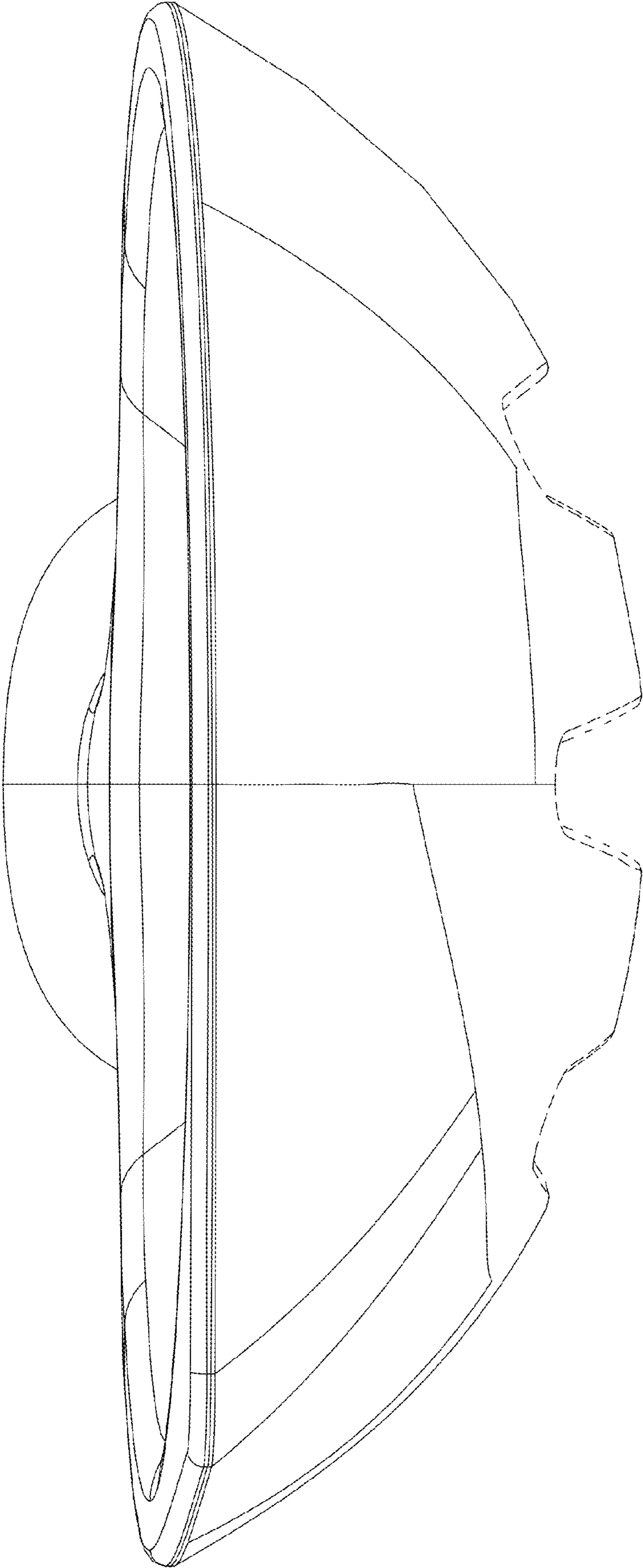


FIG.7