



US00D951722S

(12) **United States Design Patent** (10) **Patent No.:** **US D951,722 S**
Zhang (45) **Date of Patent:** **** May 17, 2022**

- (54) **SPATULA**
- (71) Applicant: **Siduo Zhang**, Guangdong (CN)
- (72) Inventor: **Siduo Zhang**, Guangdong (CN)
- (73) Assignee: **GUANGZHOU BAOMEI NETWORK TECHNOLOGY CO., LTD.**, Guangzhou (CN)
- (**) Term: **15 Years**
- (21) Appl. No.: **29/786,936**
- (22) Filed: **Jun. 3, 2021**
- (51) **LOC (13) Cl.** **07-04**
- (52) **U.S. Cl.**
USPC **D7/688**
- (58) **Field of Classification Search**
USPC D7/368, 669, 680-696, 393, 395
CPC A21B 3/003; A47G 21/045; A47G 21/04;
A47J 43/288; A47J 43/283; A47J 43/281;
A47J 43/00; A47J 43/28; A47J 43/282;
A47F 13/08; A61J 7/0023
See application file for complete search history.

D501,374 S *	2/2005	Crowley	D7/681
D552,939 S *	10/2007	McRorie, III	D7/691
D606,372 S *	12/2009	Gorskey	D7/688
D677,129 S *	3/2013	Genatossio	D7/688
D913,055 S	3/2021	Lacotta et al.		
D915,844 S	4/2021	Xie		

OTHER PUBLICATIONS

Amazon.com, U-Taste Silicone Spoon Spatula Set, pp. 1-13, ASIN: B08HQ2PKSC, date first available Sep. 8, 2020. (Year: 2020).*
Amazon.com, Chef Craft Premium Silicone Spoon Spatula, pp. 1-11, ASIN: B01BKAUKEE, date first available Feb. 7, 2016. (Year: 2016).*

* cited by examiner

Primary Examiner — Terry A Wallace

(57) **CLAIM**

The ornamental design for a spatula, as shown and described.

DESCRIPTION

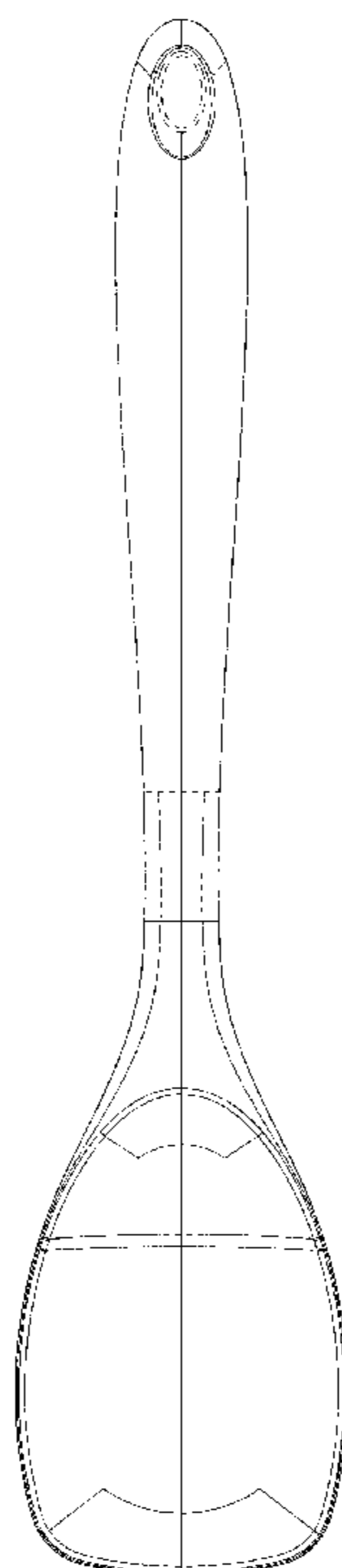
FIG. 1 is a front, left side perspective view of a spatula showing my new design;
FIG. 2 is a rear, right side perspective view thereof;
FIG. 3 is a front elevation view thereof;
FIG. 4 is a rear elevation view thereof;
FIG. 5 is a left side elevation view thereof, the right side elevation view being a mirror image of the left side elevation view;
FIG. 6 is an enlarged top plan view thereof; and,
FIG. 7 is an enlarged bottom plan view thereof.
The broken lines in the drawings illustrate portions of the spatula that form no part of the claimed design.

1 Claim, 7 Drawing Sheets

(56) **References Cited**

U.S. PATENT DOCUMENTS

D167,088 S *	6/1952	Laughlin	D7/691
D360,561 S *	7/1995	Littledeer	D7/688
D419,041 S *	1/2000	Frank	D7/688
D442,427 S *	5/2001	Chau	D7/688
D473,762 S *	4/2003	Kerr	D7/688
D491,419 S *	6/2004	White	D7/688
D495,216 S *	8/2004	Overthun	D7/667
D498,989 S *	11/2004	White	D7/688



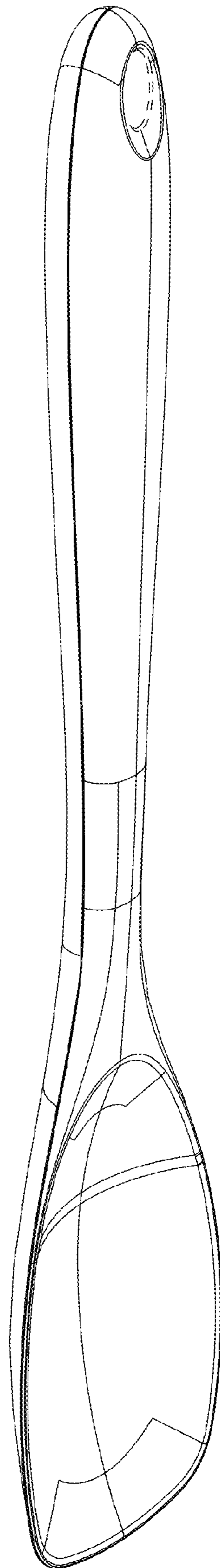


FIG.1

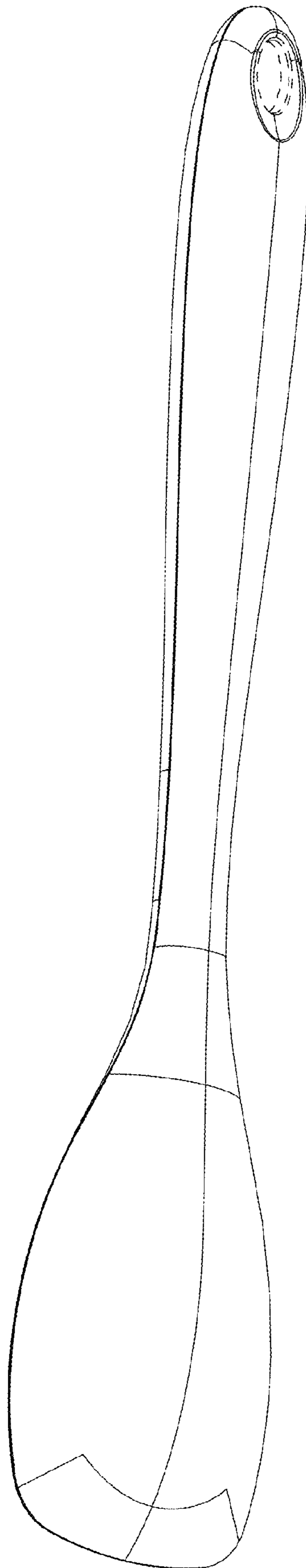


FIG.2

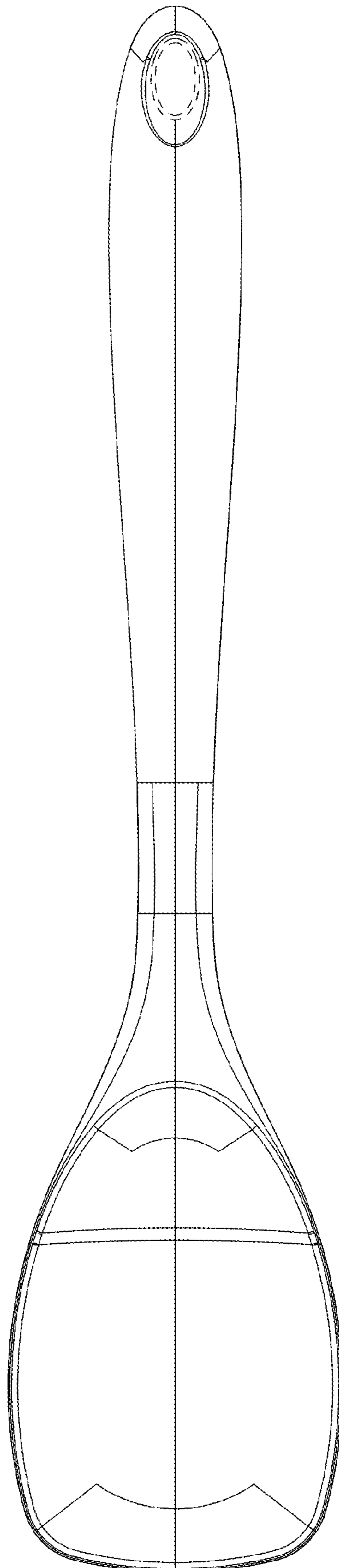


FIG.3

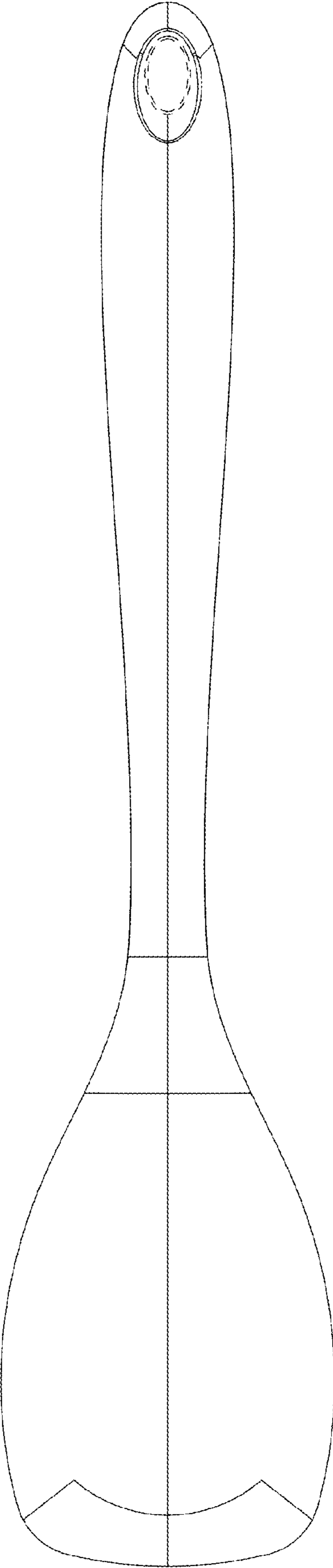


FIG.4

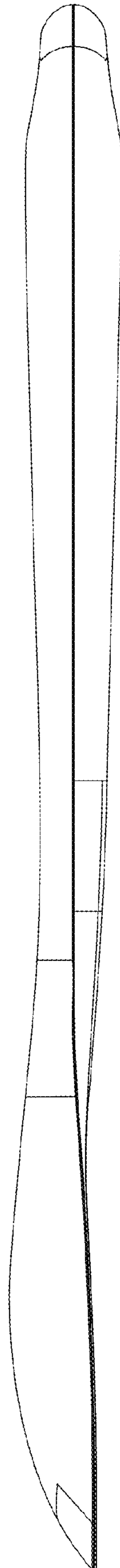


FIG.5

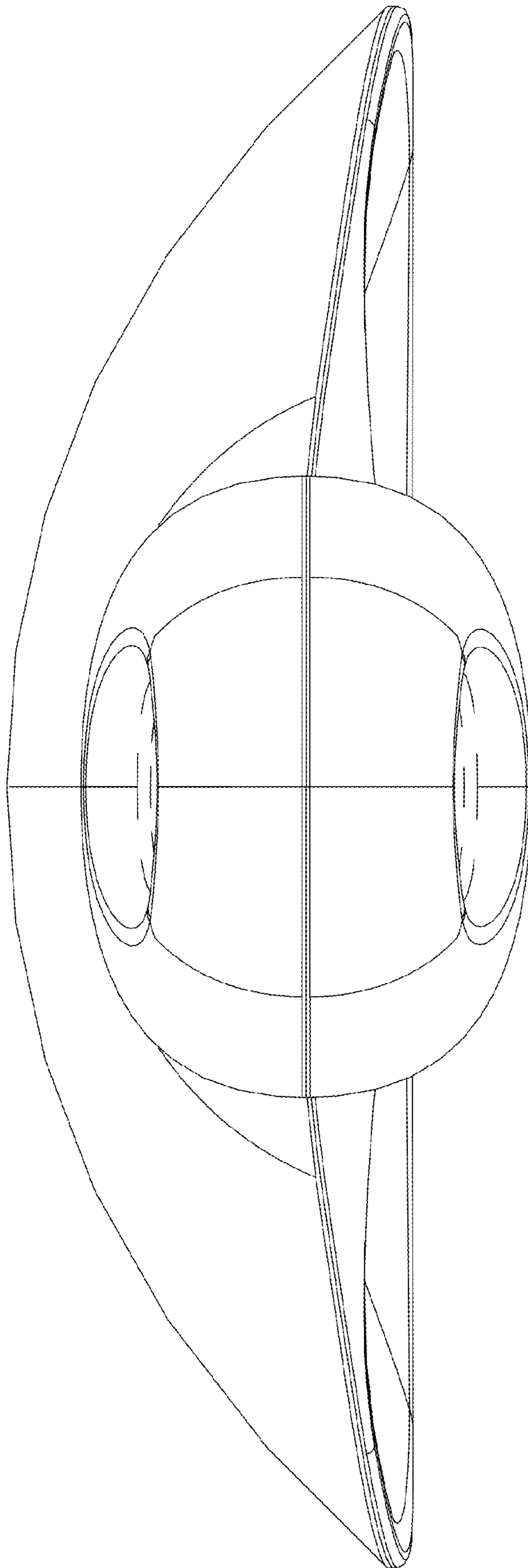


FIG.6

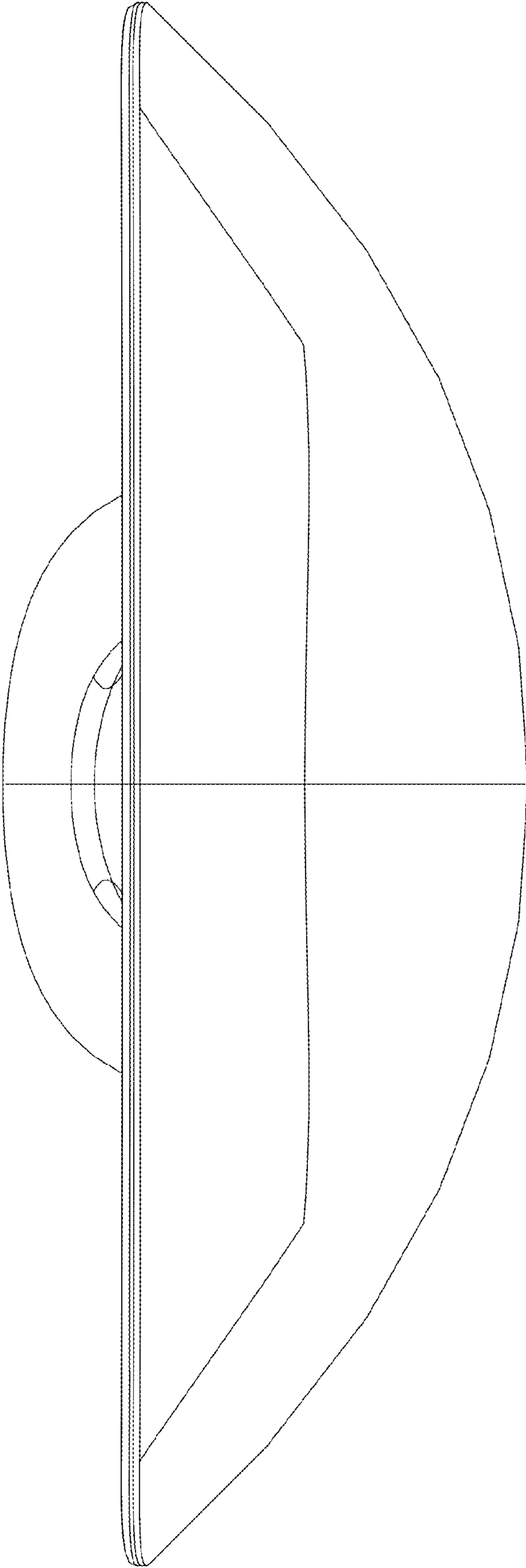


FIG. 7