



US00D951721S

(12) **United States Design Patent** (10) **Patent No.:** **US D951,721 S**
Chen (45) **Date of Patent:** **** May 17, 2022**

(54) **VEGGIE CHOPPER**

(71) Applicant: **Shuangma Plastic Manufacturing Inc,**
Zhejiang (CN)

(72) Inventor: **Cuihong Chen,** Zhejiang (CN)

(**) Term: **15 Years**

(21) Appl. No.: **29/729,681**

(22) Filed: **Mar. 30, 2020**

(30) **Foreign Application Priority Data**

Sep. 30, 2019 (CN) 201930542656.X

(51) **LOC (13) Cl.** **07-04**

(52) **U.S. Cl.**
USPC **D7/673**

(58) **Field of Classification Search**
USPC D7/381, 383, 384, 412, 602, 637, 669,
D7/672, 673, 674, 693, 695; D8/20, 28
CPC A47J 9/00; A47J 17/02; A47J 43/04; A47J
43/00; A47J 2201/00; B26B 1/00; B26B
5/001; B26B 29/063; B26D 9/00; B26D
3/00; B26D 3/11; B26D 3/18; B26D
3/185; B26D 3/24; B26D 3/26; B26D
3/28; B26D 2011/005; B26D 2210/00;
B26D 2210/02; B26D 2210/04; B26D
2210/08; B26D 7/225

See application file for complete search history.

(56) **References Cited**

U.S. PATENT DOCUMENTS

D499,615 S * 12/2004 Nordgren D7/674
D512,609 S * 12/2005 Kaposi D7/672
D543,422 S * 5/2007 Kaposi D7/674
D545,642 S * 7/2007 Wong D7/674
D548,022 S * 8/2007 Kaposi D7/673
D548,025 S * 8/2007 Kaposi D7/672

D578,838 S * 10/2008 Hood D7/678
D618,517 S * 6/2010 Wong D7/672
D729,595 S * 5/2015 Hauser D7/693
D729,596 S * 5/2015 Hauser D7/693
9,174,352 B2 * 11/2015 Repac B26D 3/26
D776,987 S * 1/2017 Repac D7/672
D776,988 S * 1/2017 Repac D7/672
D777,537 S * 1/2017 Repac D7/672
D823,075 S * 7/2018 Repac D7/672
D858,218 S * 9/2019 Kaposi D7/674
D873,627 S * 1/2020 Chen D7/672
D929,825 S * 9/2021 Lu D7/678
2004/0055437 A1 * 3/2004 Engdahl B26D 3/26
83/597
2005/0178262 A1 * 8/2005 Repac B26D 3/185
83/684

(Continued)

FOREIGN PATENT DOCUMENTS

CN 301991162 * 7/2012

Primary Examiner — Joseph Kukella

Assistant Examiner — Darryl J Dardenne

(74) *Attorney, Agent, or Firm* — Prakash Nama; Global
IP Services, PLLC

(57) **CLAIM**

The ornamental design for a veggie chopper, as shown.

DESCRIPTION

FIG. 1 is a front elevational view of a veggie chopper
showing my new design;

FIG. 2 is a rear elevational view thereof;

FIG. 3 is a left side view thereof;

FIG. 4 is a right side view thereof;

FIG. 5 is a top plan view thereof;

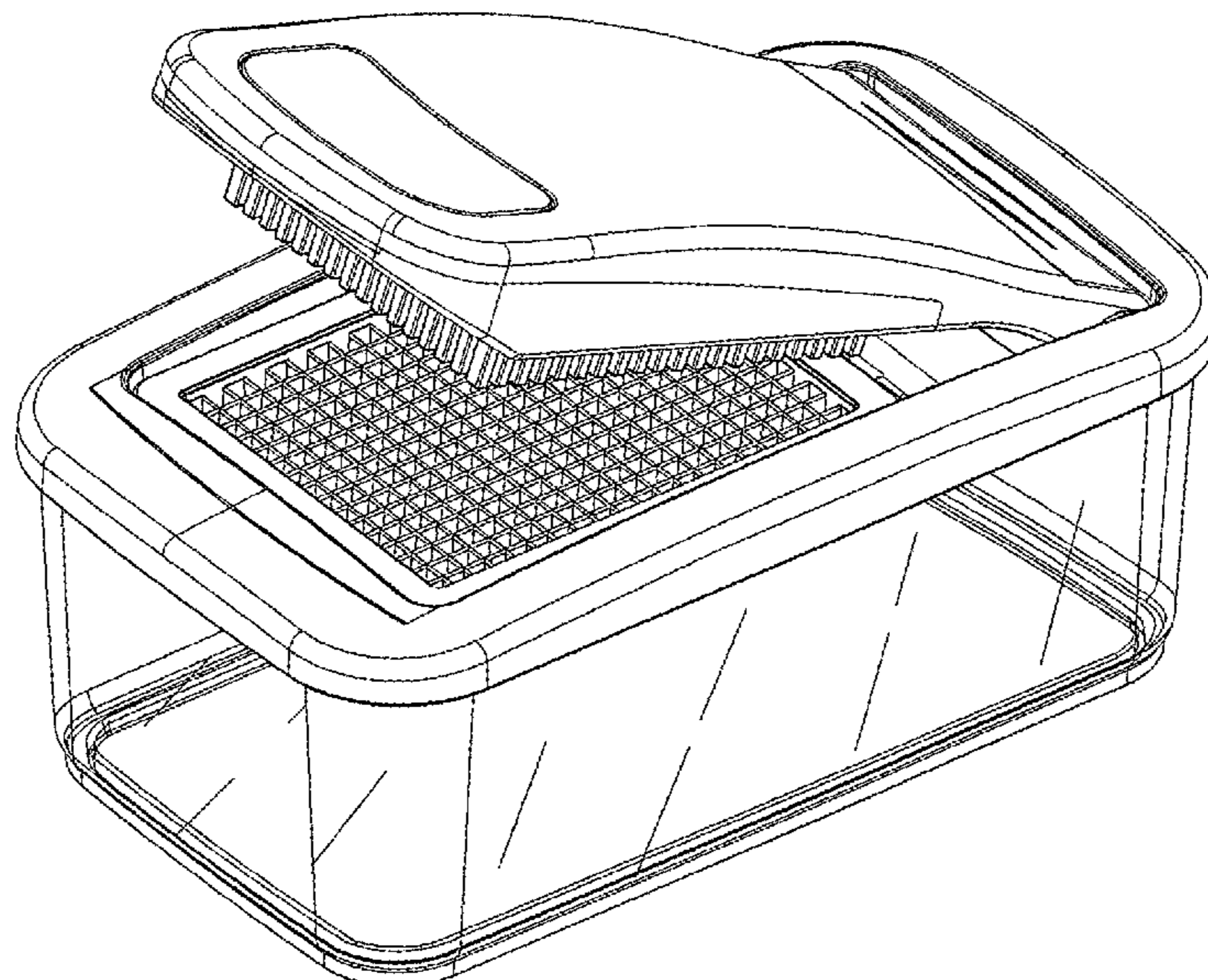
FIG. 6 is a bottom plan view thereof;

FIG. 7 is a perspective view thereof;

FIG. 8 is a perspective view in state of use thereof; and,

FIG. 9 is another perspective view thereof.

1 Claim, 9 Drawing Sheets



(56)

References Cited

U.S. PATENT DOCUMENTS

2006/0090352 A1* 5/2006 Kaposi B26B 5/008
30/299
2015/0217460 A1* 8/2015 Hauser B26D 3/18
30/124
2015/0337889 A1* 11/2015 Repac B26D 7/00
241/84.3
2015/0345200 A1* 12/2015 Repac E05F 1/1215
241/84.3
2015/0367525 A1* 12/2015 Repac B26D 7/00
83/167
2016/0075043 A1* 3/2016 Cotter B26D 7/0608
83/167
2019/0263012 A1* 8/2019 Kaposi B26D 3/26

* cited by examiner

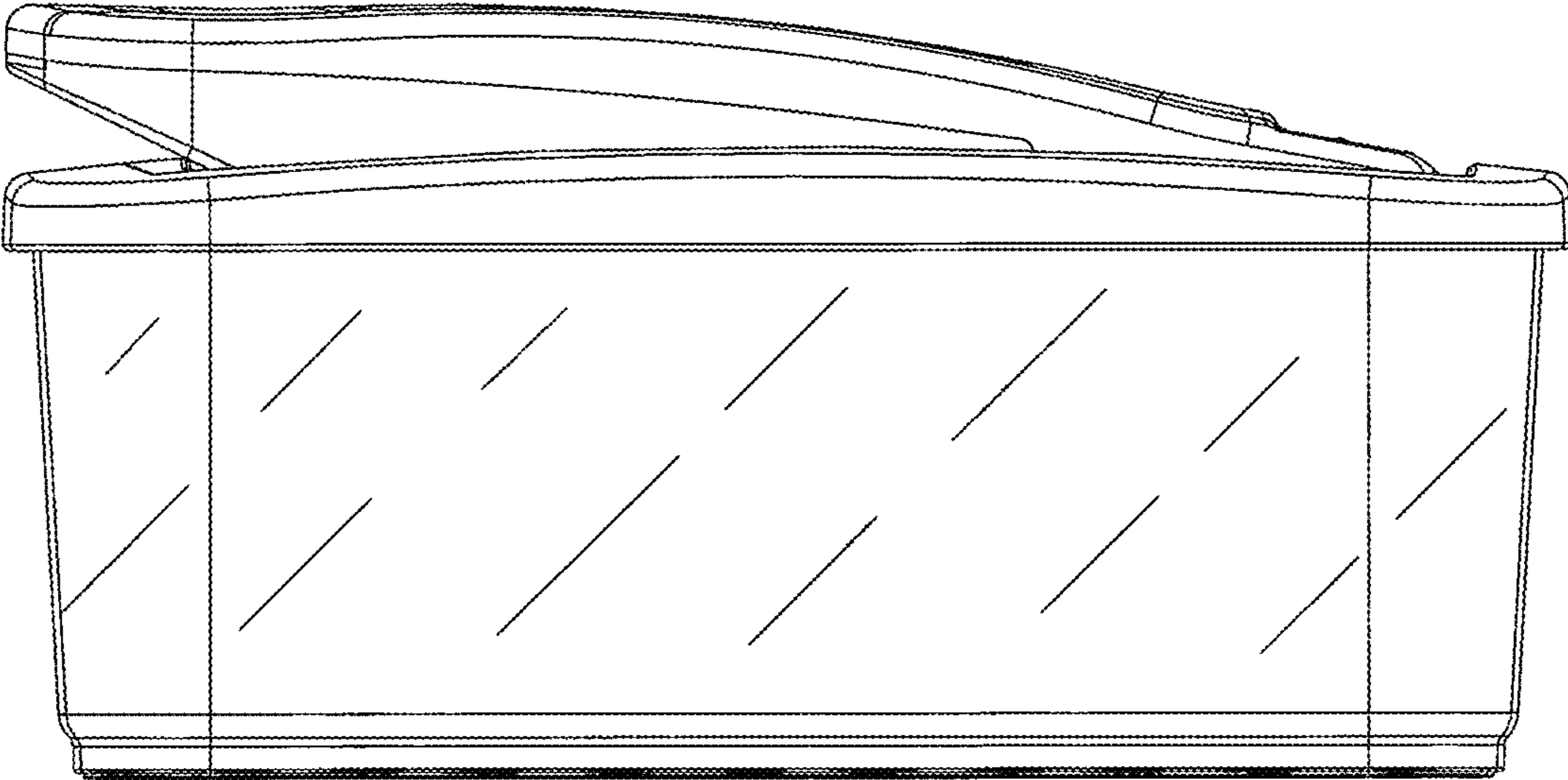


FIG. 1

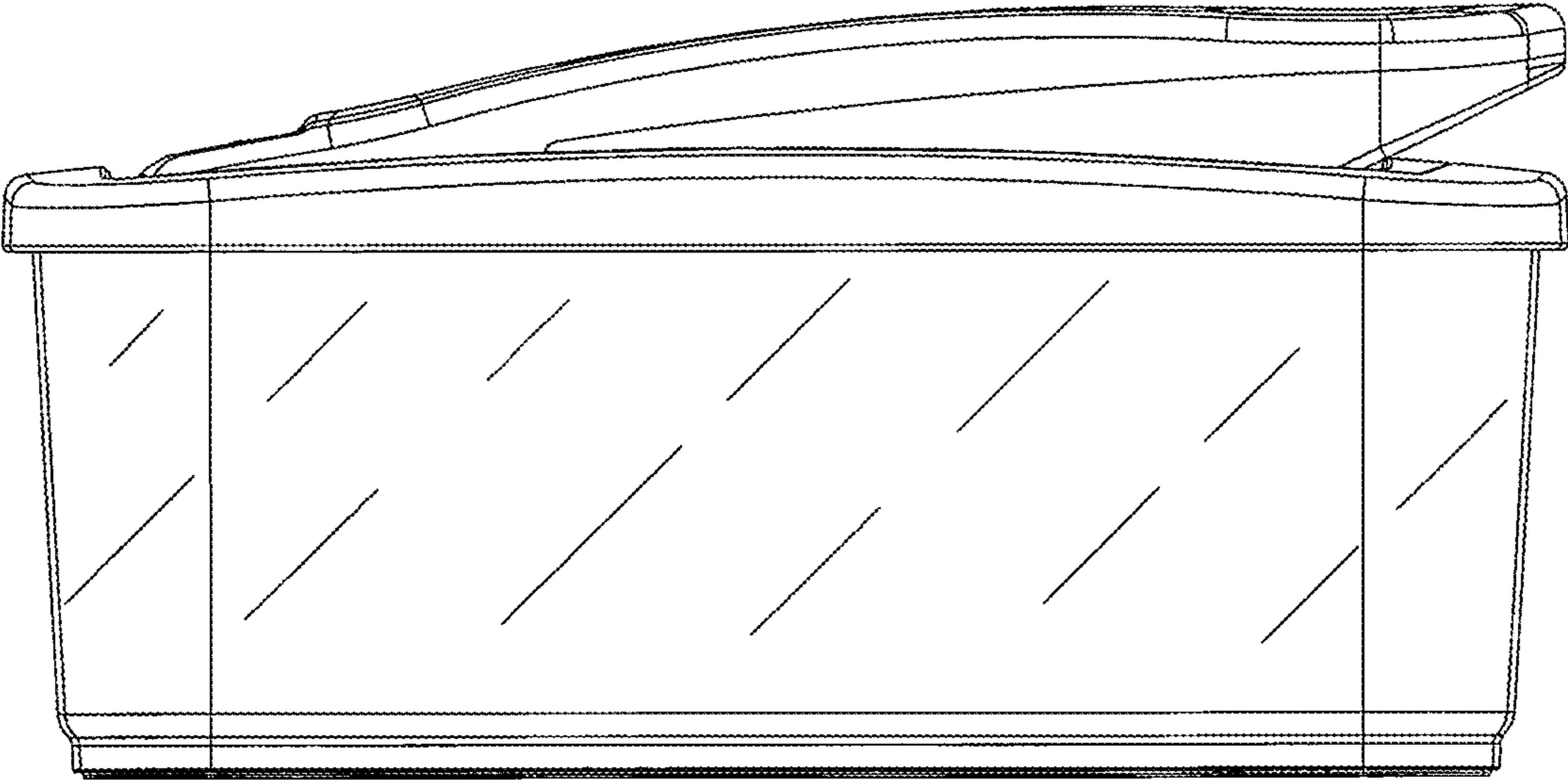


FIG. 2

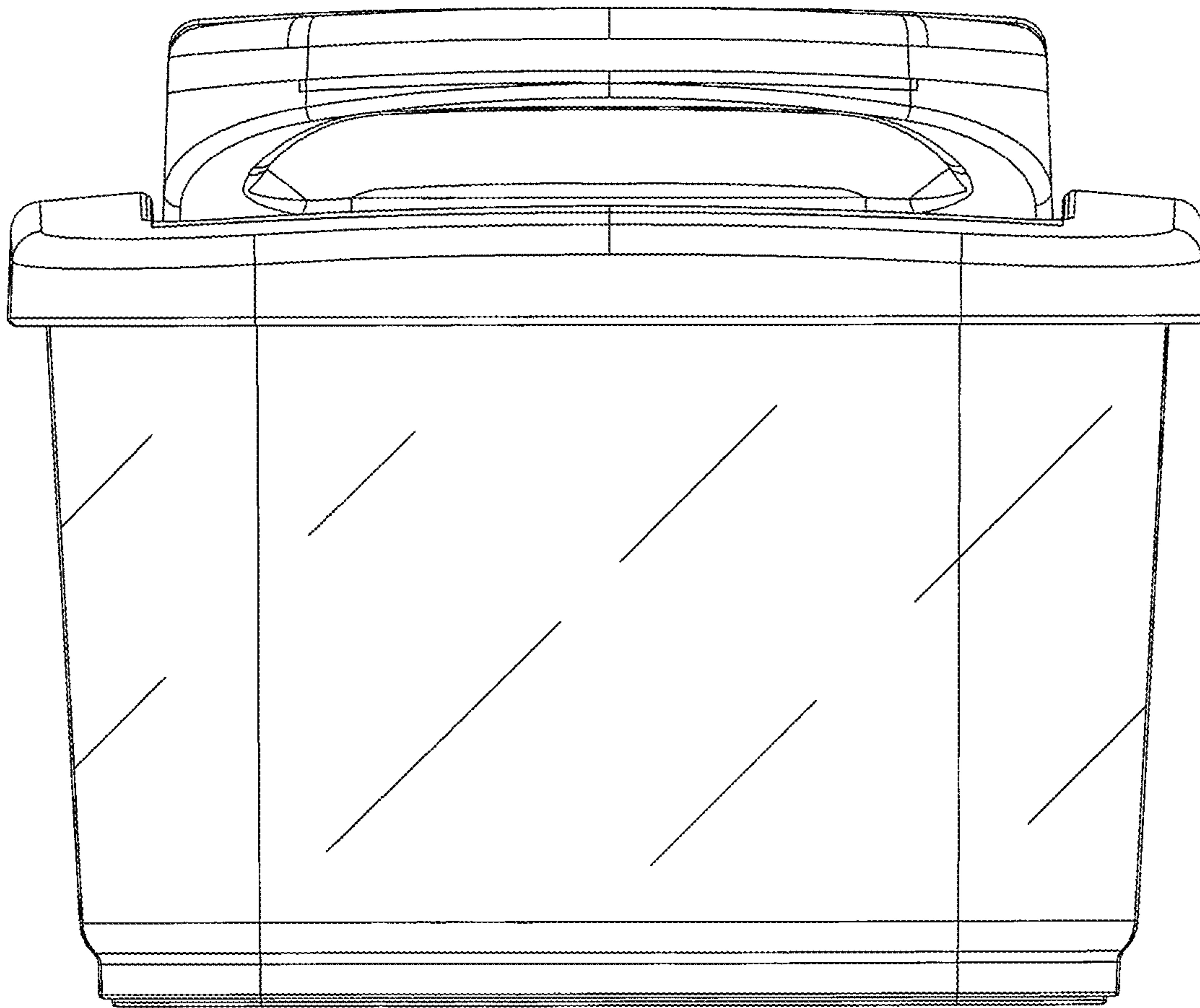


FIG. 3

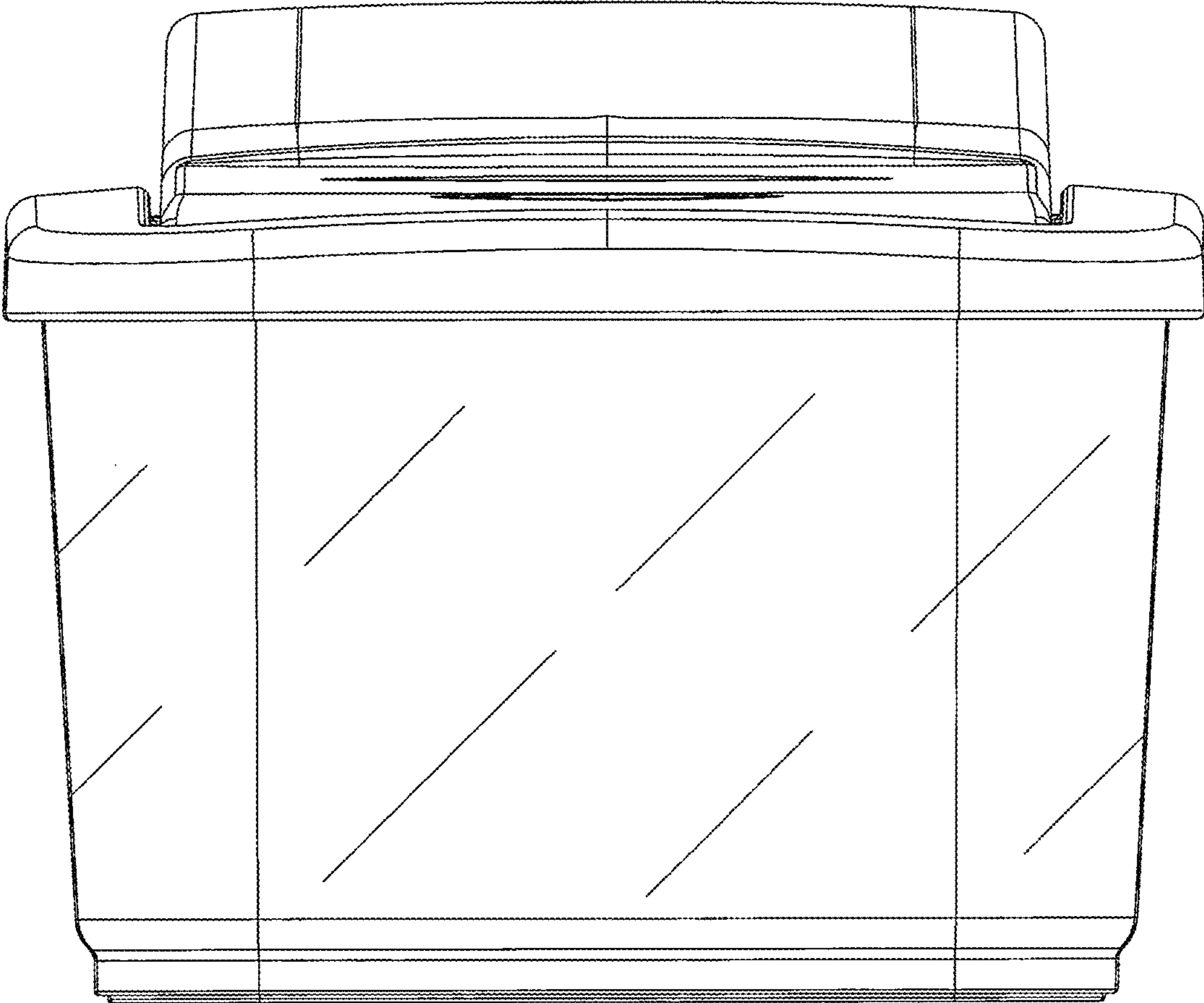


FIG. 4

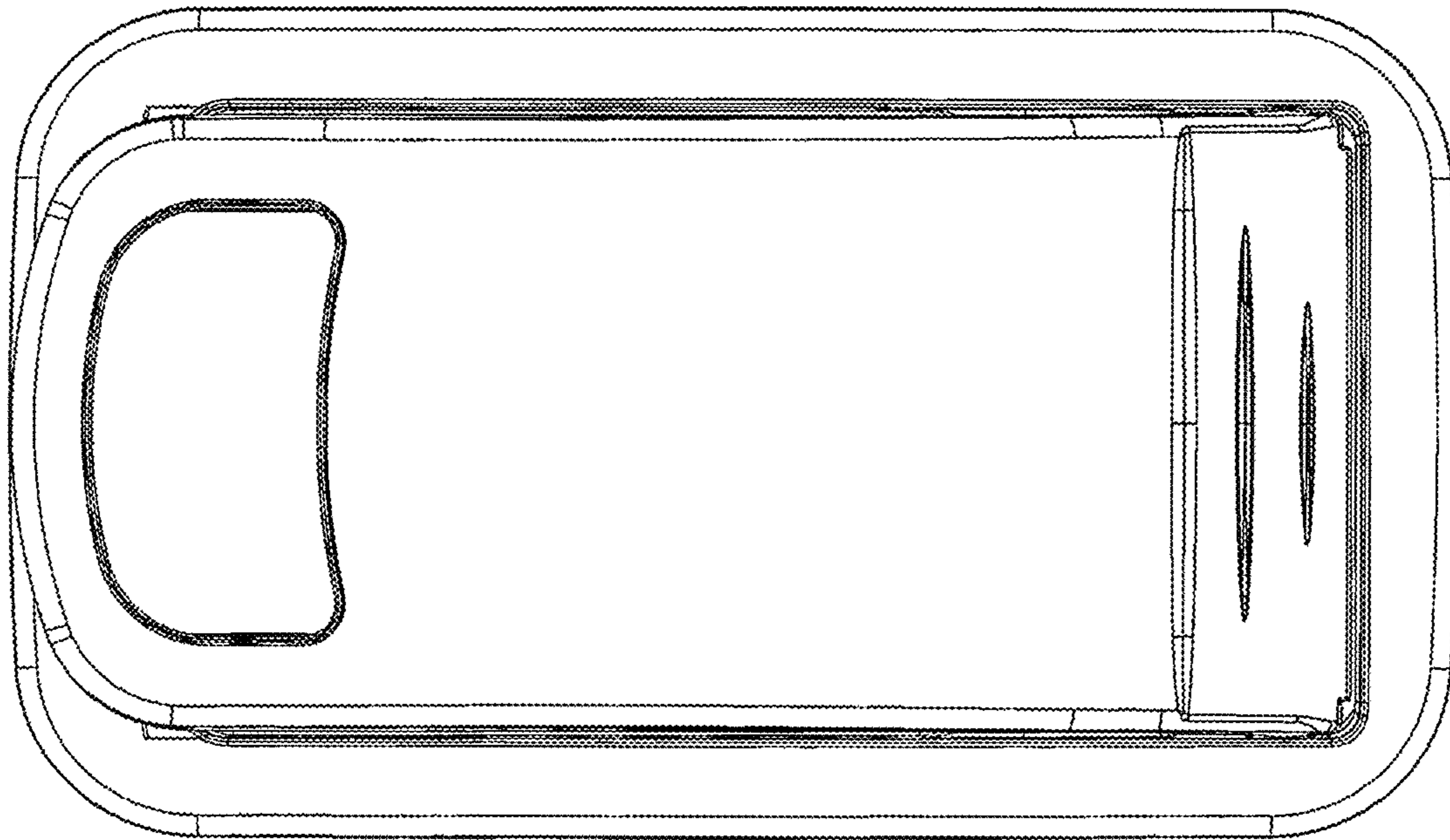


FIG. 5

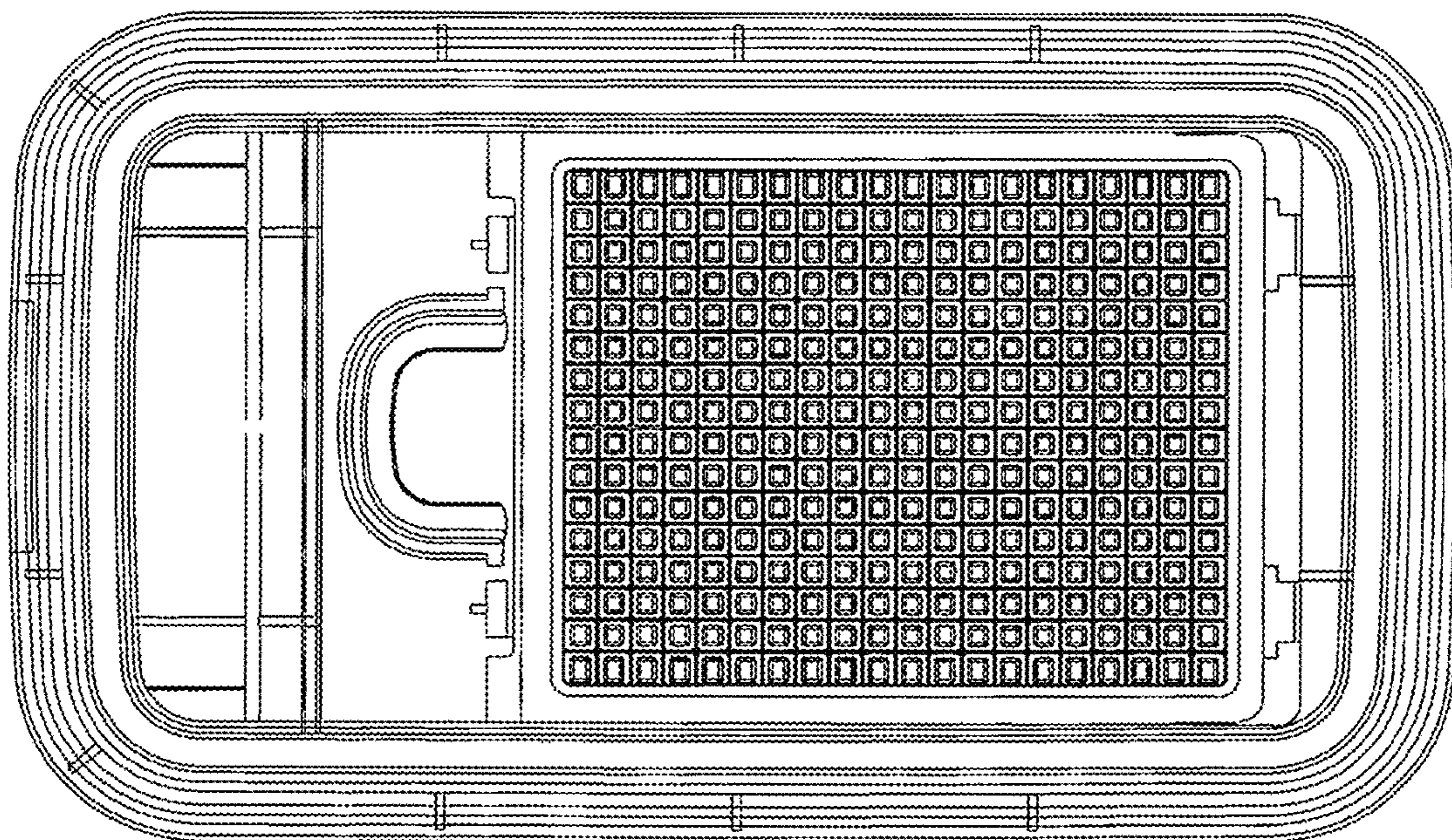


FIG. 6

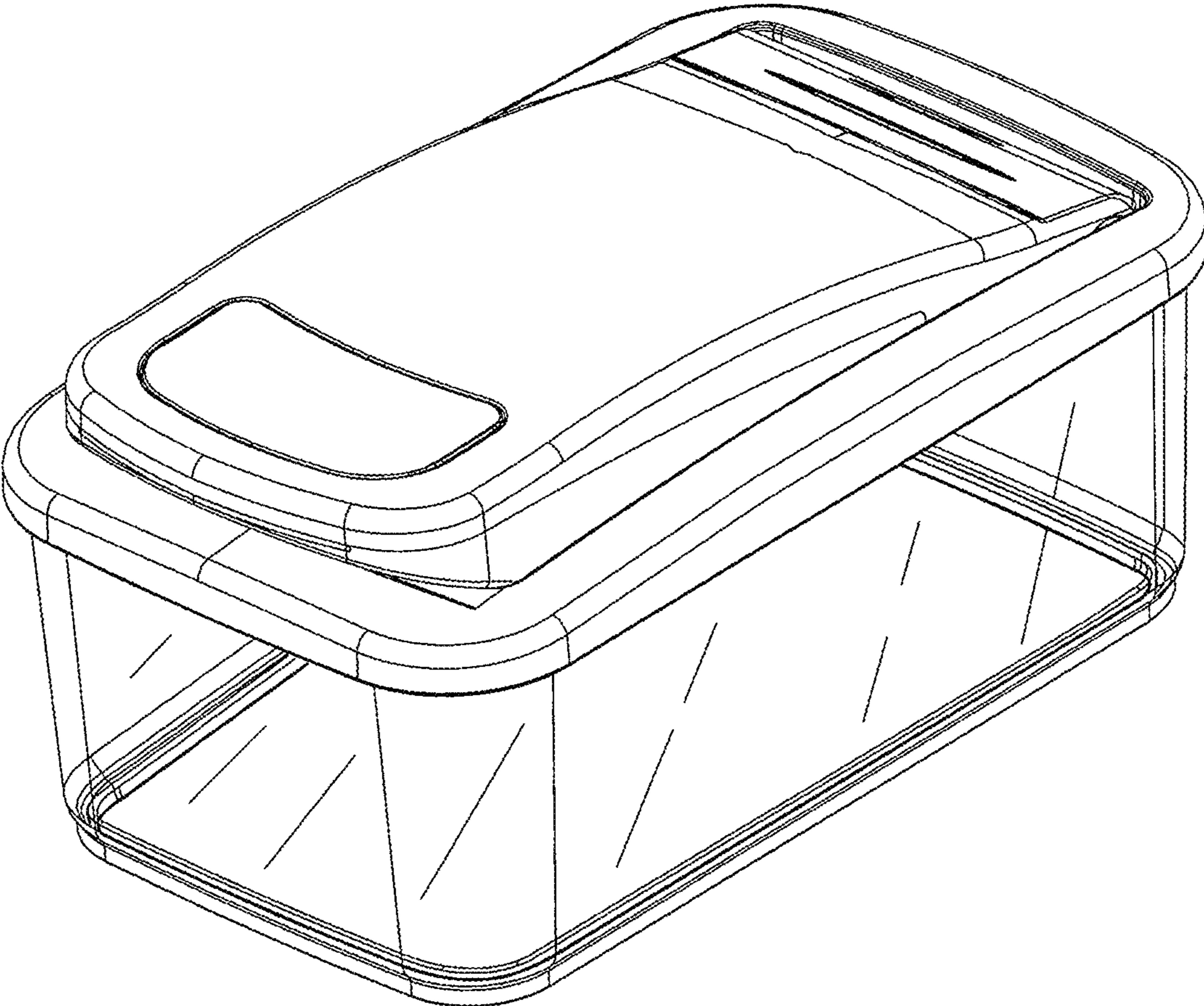


FIG. 7

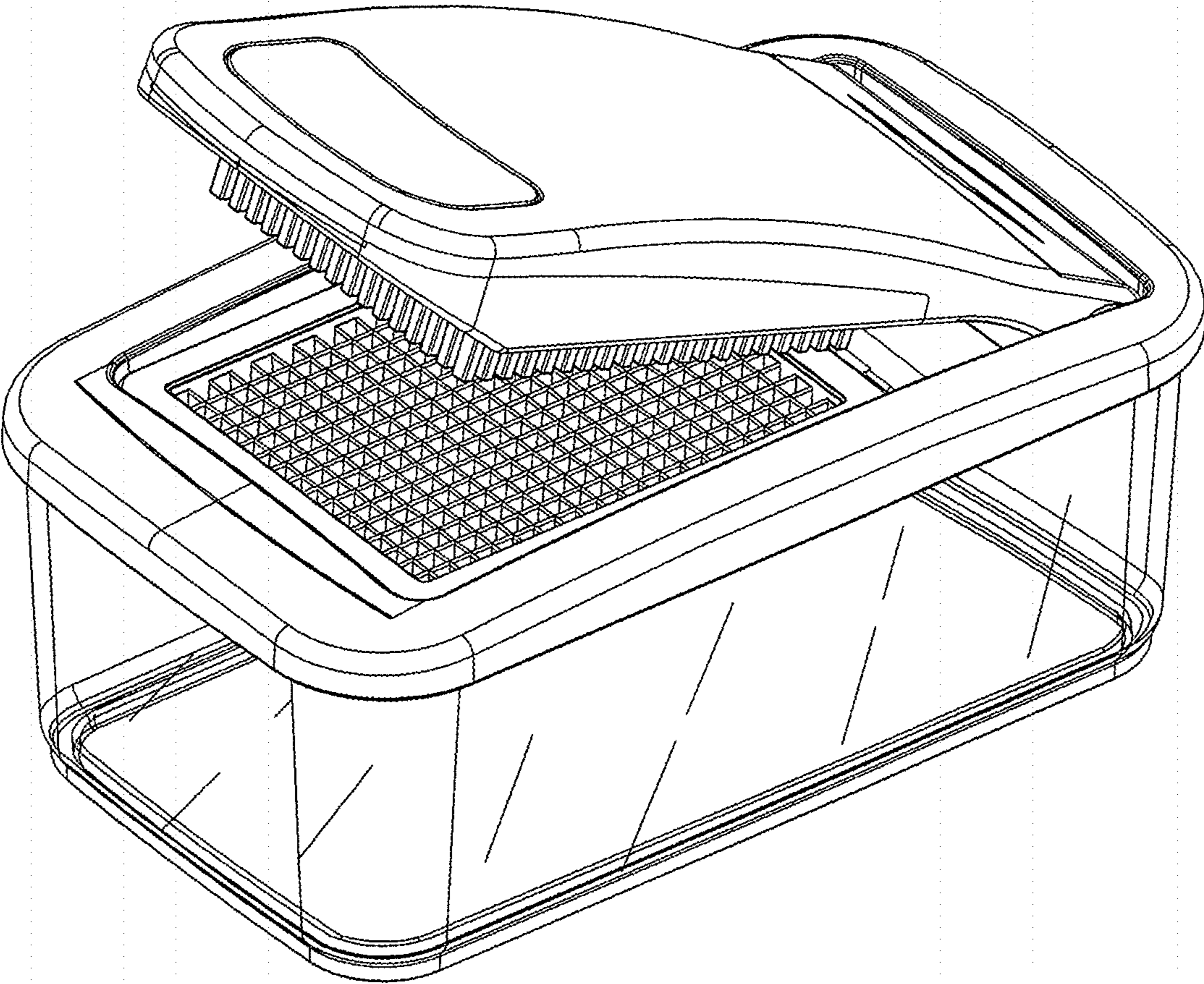


FIG. 8

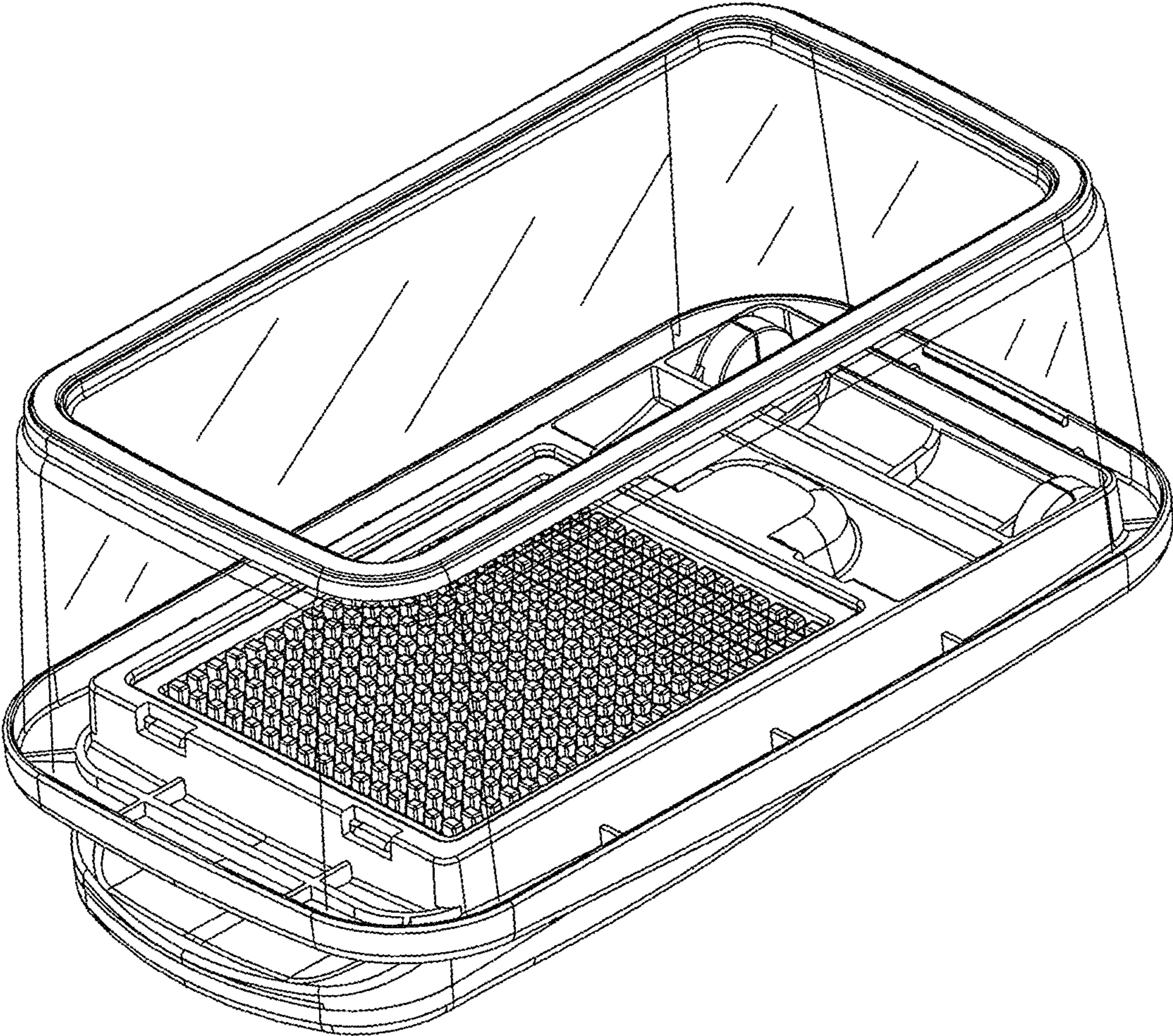


FIG. 9