



US00D951719S

(12) **United States Design Patent**
Chapman et al.

(10) **Patent No.:** **US D951,719 S**

(45) **Date of Patent:** **** May 17, 2022**

(54) **CITRUS JUICER**

(71) Applicants: **Dean Chapman**, Montclair, NJ (US);
John R. Winter, Morristown, NJ (US)

(72) Inventors: **Dean Chapman**, Montclair, NJ (US);
John R. Winter, Morristown, NJ (US)

(**) Term: **15 Years**

(21) Appl. No.: **29/711,648**

(22) Filed: **Nov. 1, 2019**

(51) **LOC (13) Cl.** **31-00**

(52) **U.S. Cl.**
USPC **D7/666**

(58) **Field of Classification Search**
USPC D7/300, 306, 365, 376, 392, 392.1,
D7/396.2, 507, 509, 510, 511, 607, 665,
D7/666; D9/434, 435, 439, 440, 443,
D9/450
CPC A47J 19/02; B30B 1/04
See application file for complete search history.

(56) **References Cited**

U.S. PATENT DOCUMENTS

256,372	A *	4/1882	Rex	B30B 15/028
					100/234
4,531,457	A *	7/1985	Sivaslian	A47J 19/023
					100/234
D468,975	S *	1/2003	White	D7/666
D546,637	S *	7/2007	Gonzalez	D7/666
7,395,753	B2 *	7/2008	Dorion	A47J 19/023
					100/234
D595,545	S *	7/2009	Gaunaud	D7/666
2018/0271315	A1 *	9/2018	Lebaron	A47J 19/02
2018/0303266	A1 *	10/2018	Obregon Salorio	A47J 19/02

* cited by examiner

Primary Examiner — S. Bryan Reinholdt, Jr.

(74) *Attorney, Agent, or Firm* — Stuart M. Goldstein

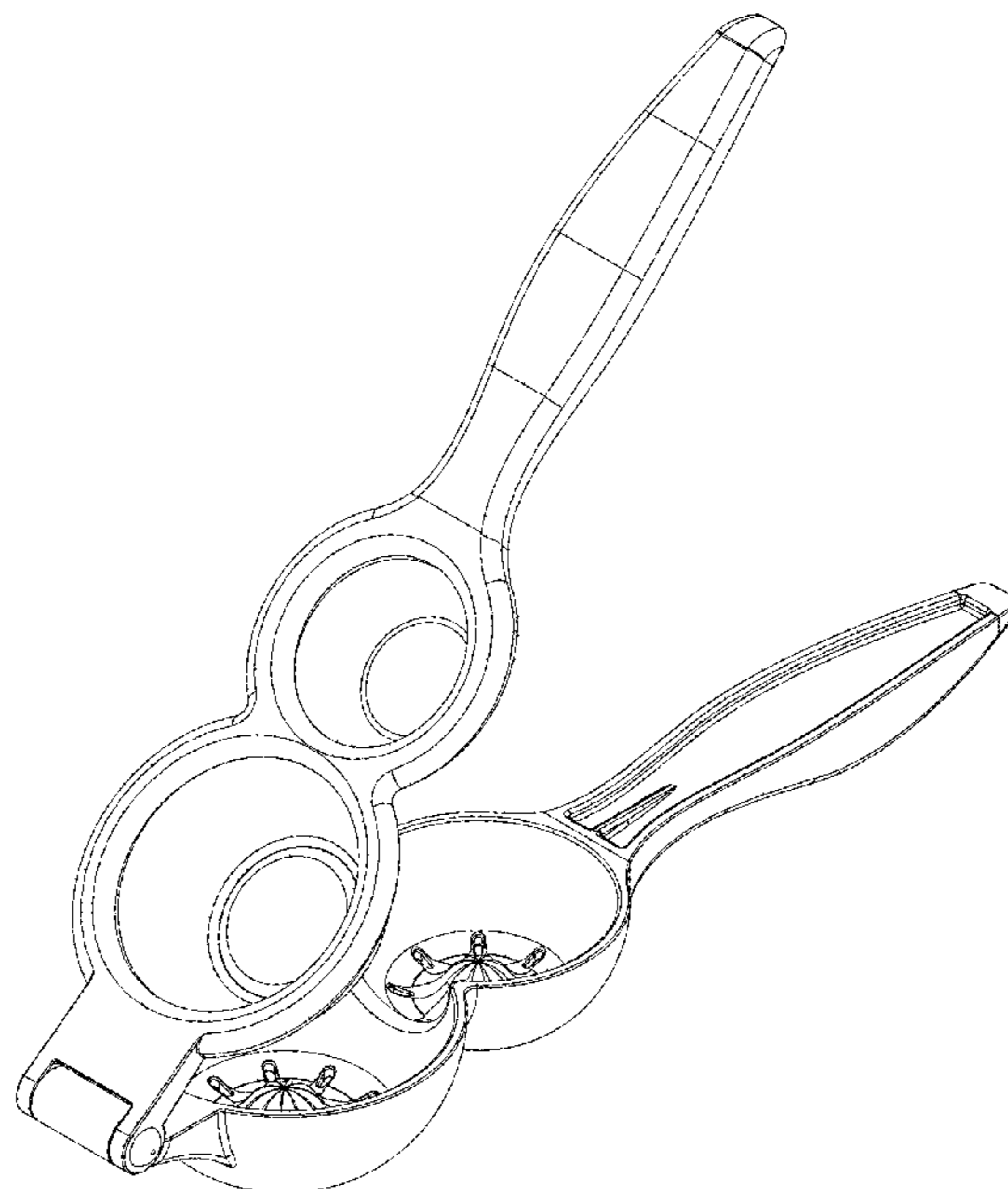
(57) **CLAIM**

The ornamental design for a citrus juicer, as shown and described.

DESCRIPTION

FIG. 1 is the end view of a citrus juicer of the present invention in its open position.
 FIG. 2 is the opposite end view of the citrus juicer of the present invention in its open position.
 FIG. 3 is a top view of the citrus juicer of the present invention in its open position.
 FIG. 4 is the elevation view of the citrus juicer of the present invention in its open position.
 FIG. 5 is the bottom view of the citrus juicer of the present invention in its open position.
 FIG. 6 is the end view of the citrus juicer of the present invention in its closed position.
 FIG. 7 is the opposite end view of the citrus juicer of the present invention in its closed position.
 FIG. 8 is the top view of the citrus juicer of the present invention in its closed position.
 FIG. 9 is the elevation view of the citrus juicer of the present invention in its dosed position.
 FIG. 10 is the bottom of citrus juicer of the present invention in its closed position.
 FIG. 11 is a top perspective view of the citrus juicer of the present invention in its closed position; and,
 FIG. 12 is a top perspective view of the citrus juicer of the present invention in between its open and closed positions.

1 Claim, 6 Drawing Sheets



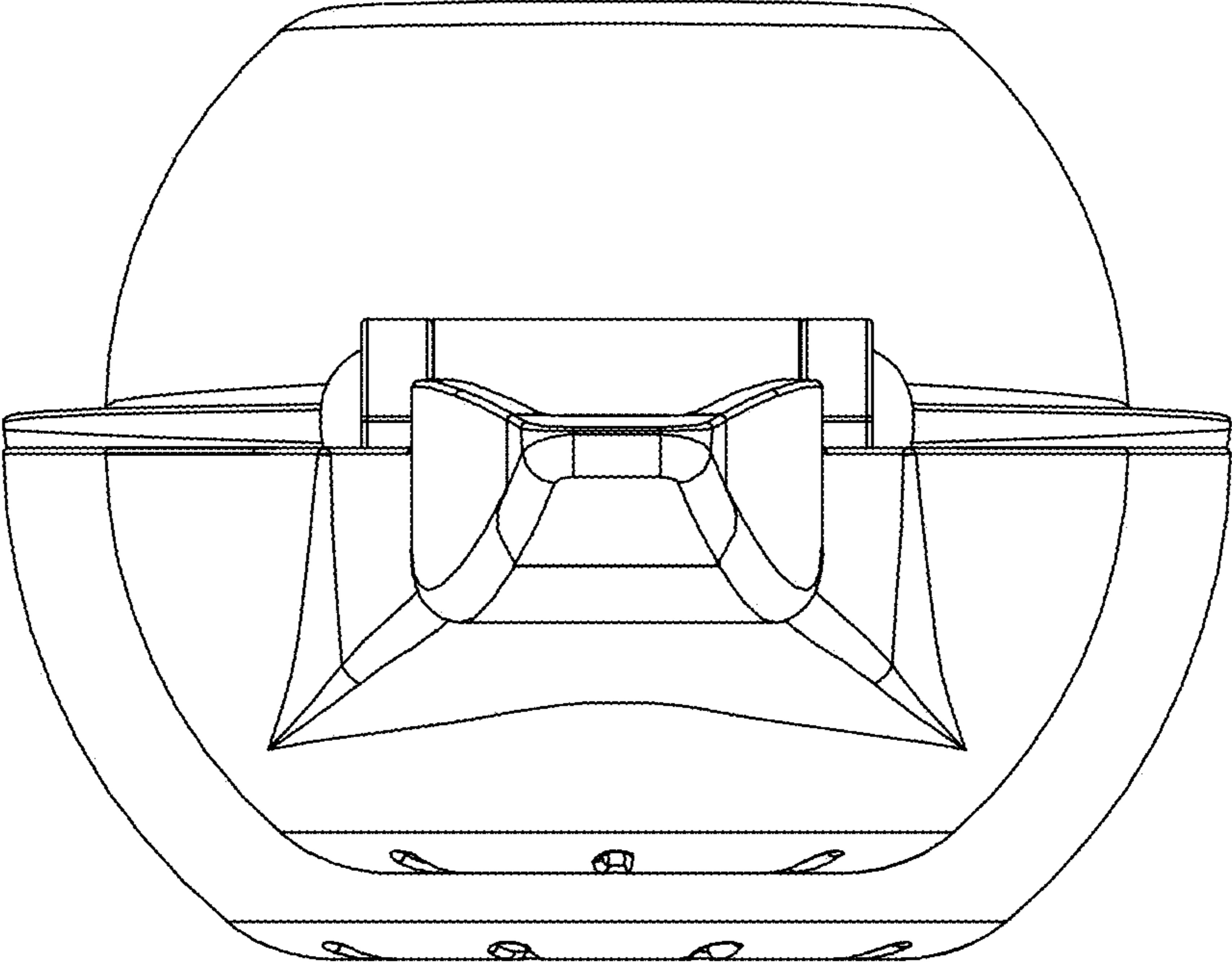


FIG. 1

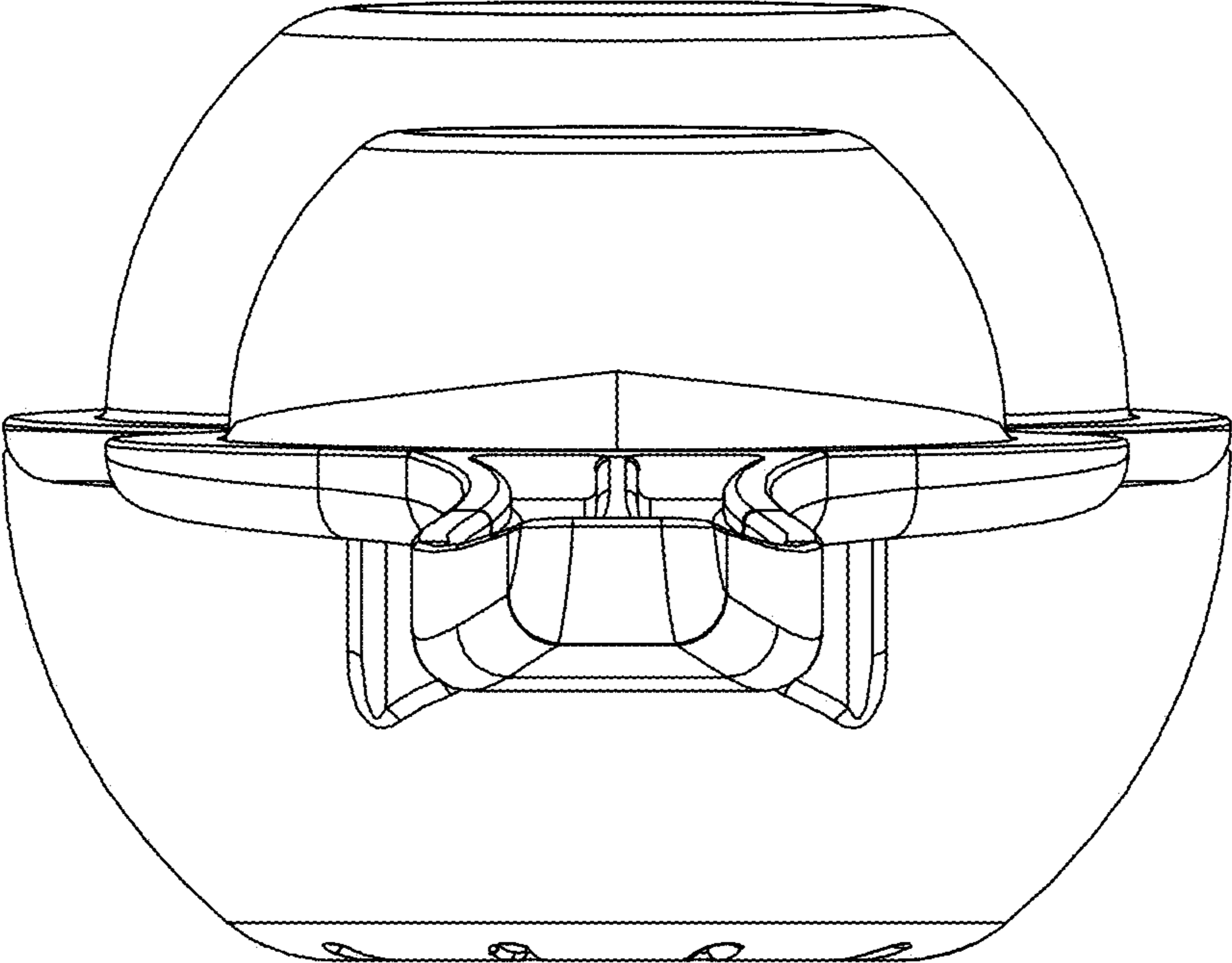


FIG. 2

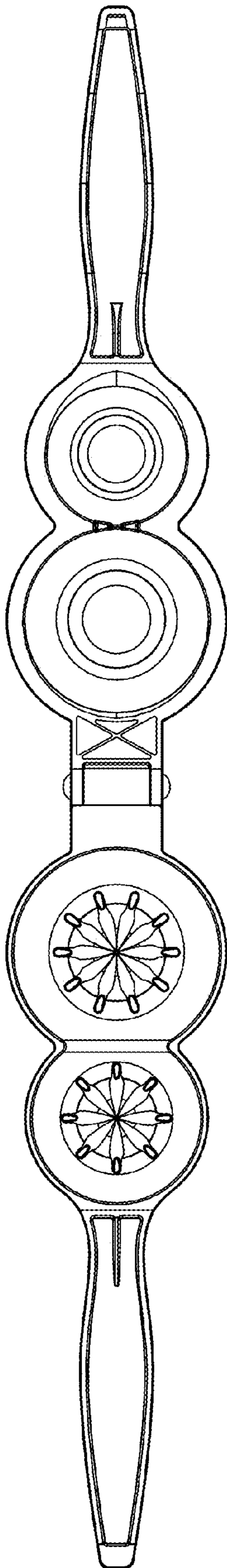


FIG. 3

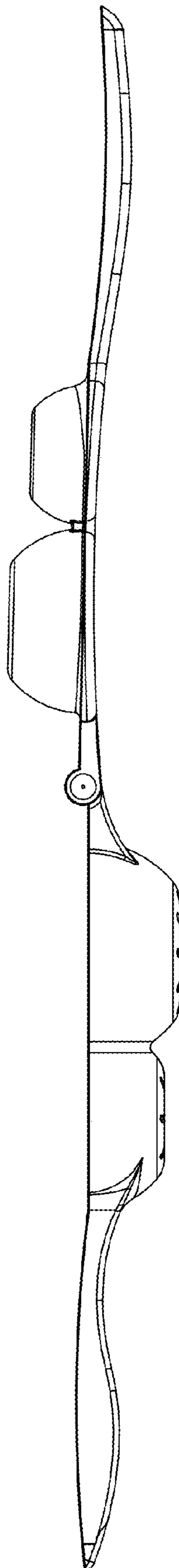


FIG. 4

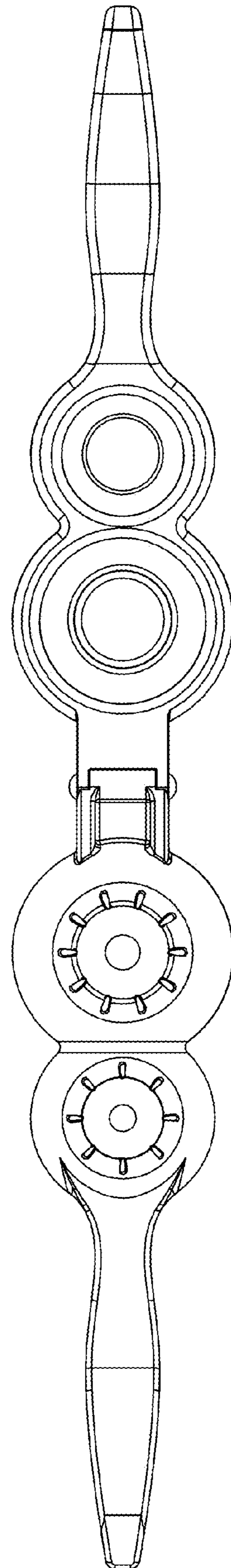


FIG. 5

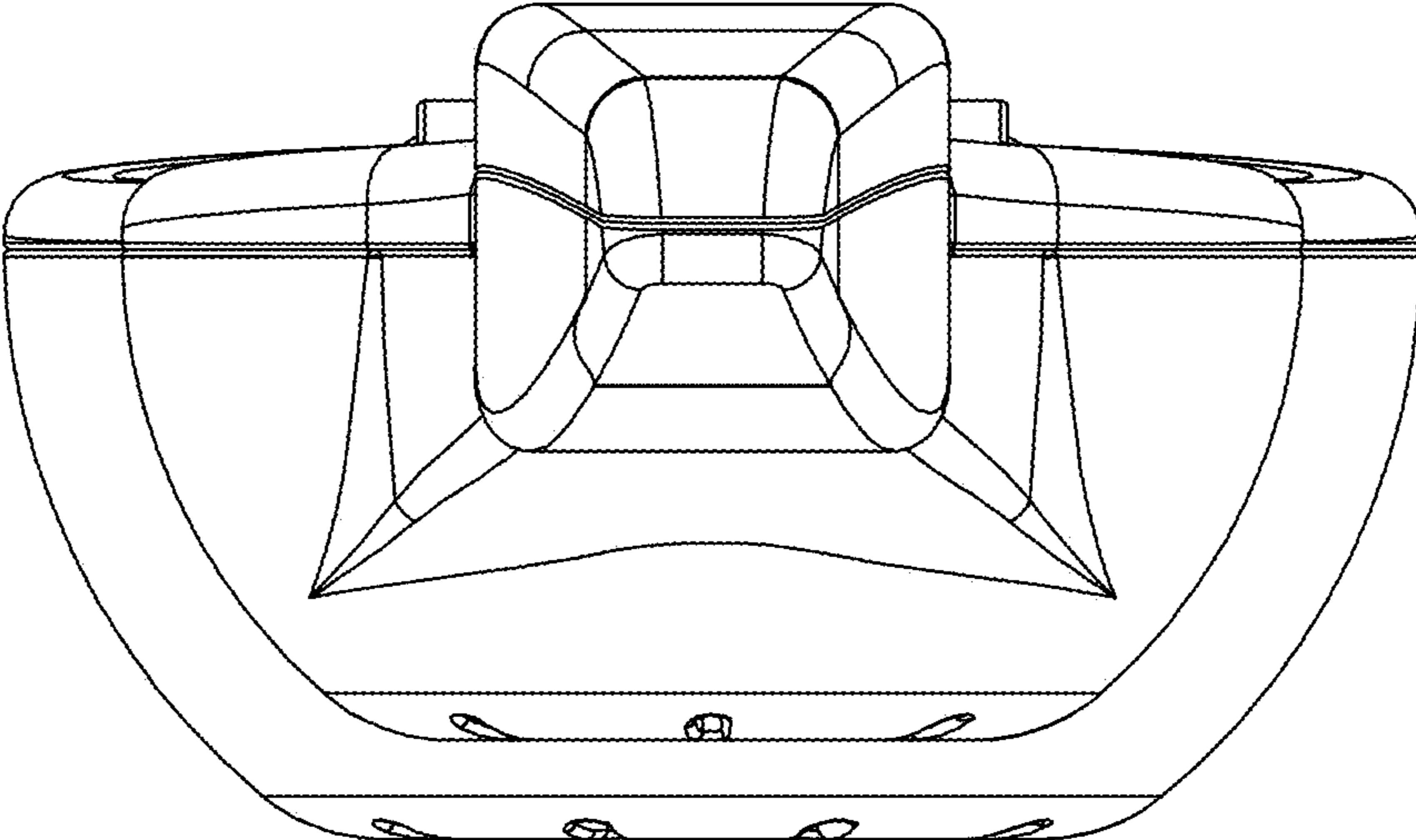


FIG. 6

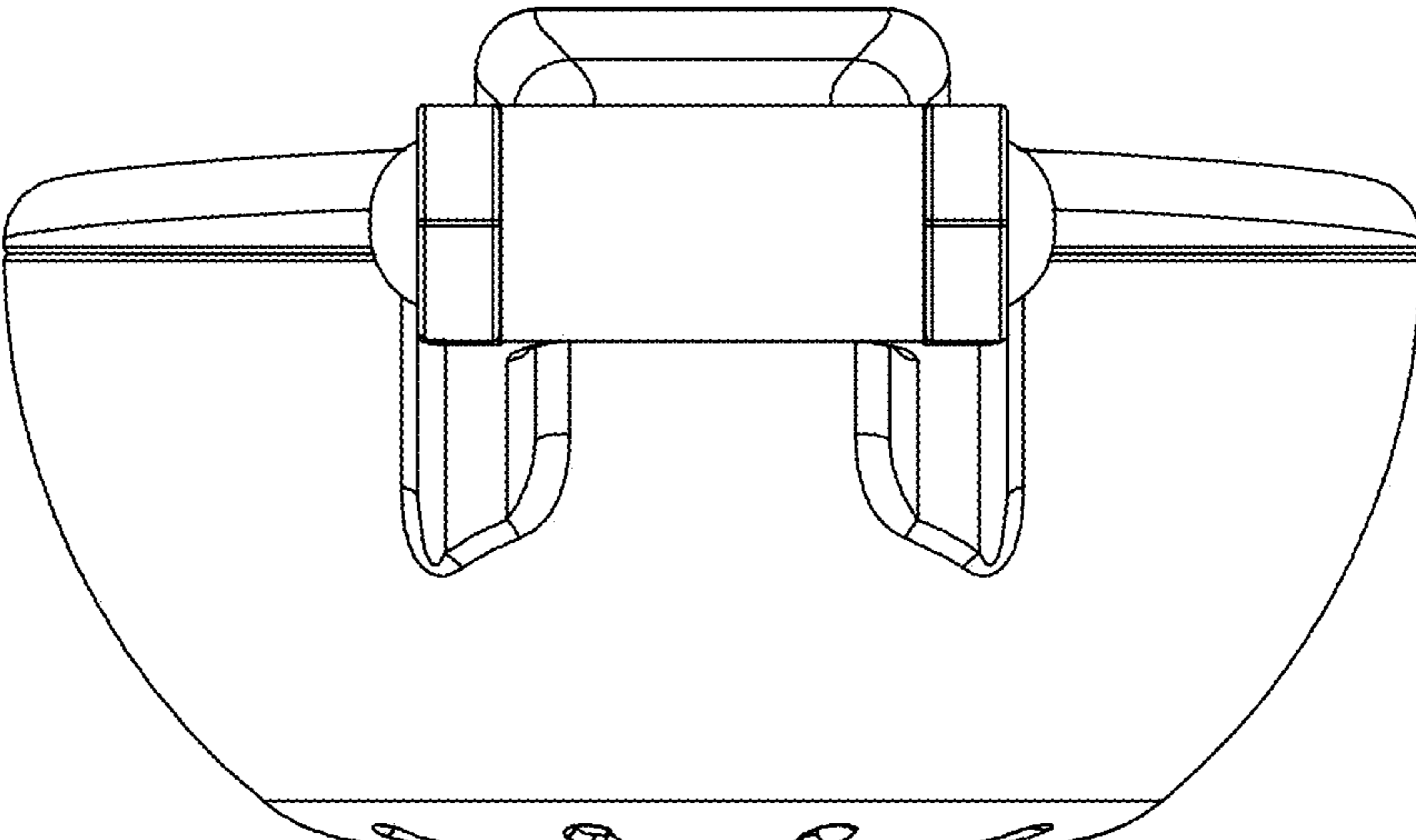


FIG. 7

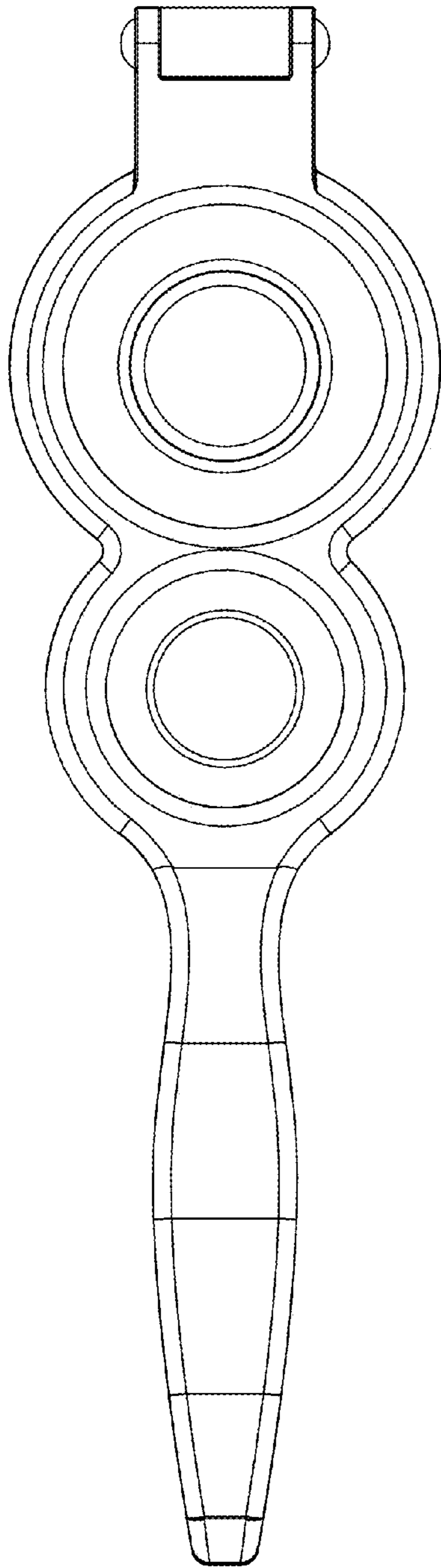


FIG. 8

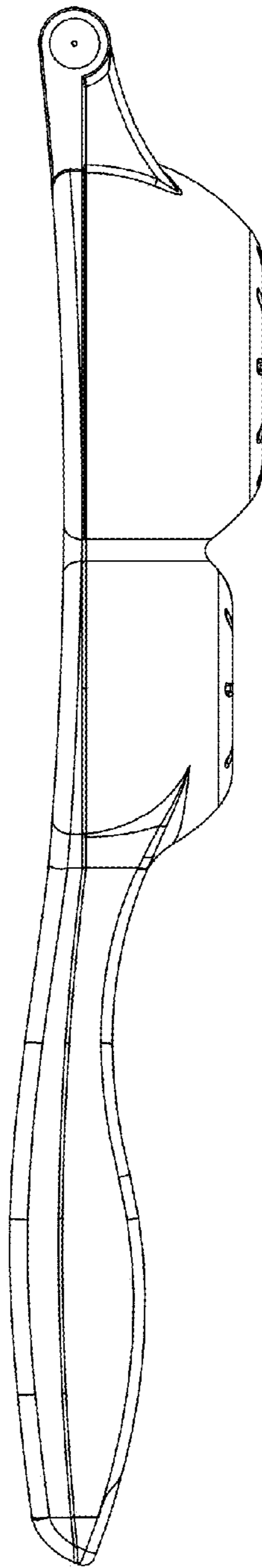


FIG. 9

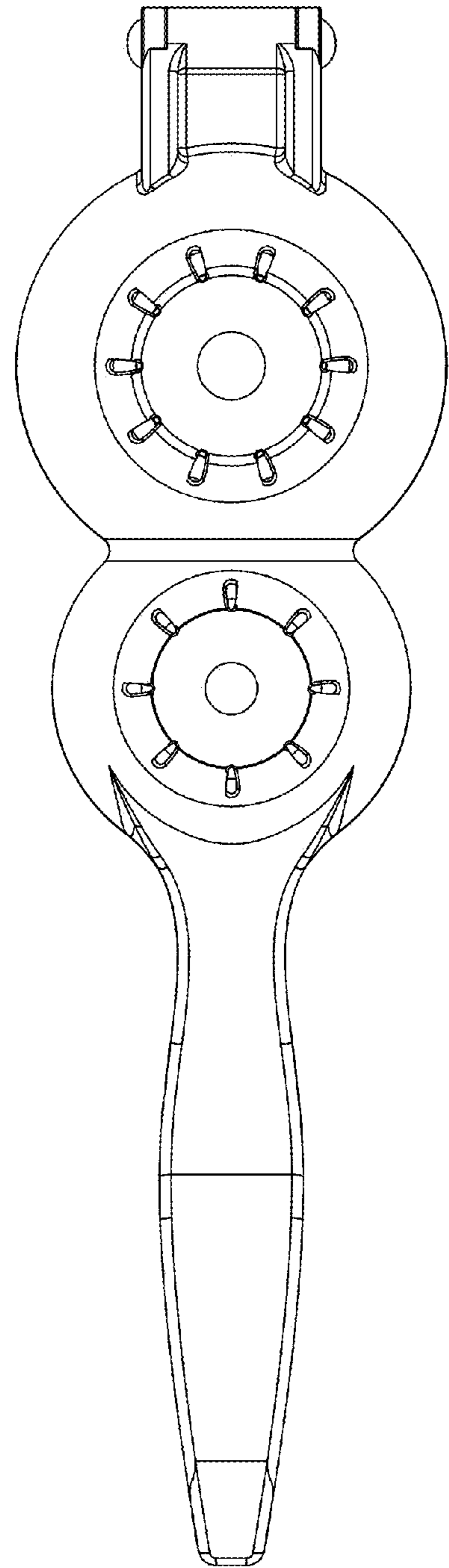


FIG. 10

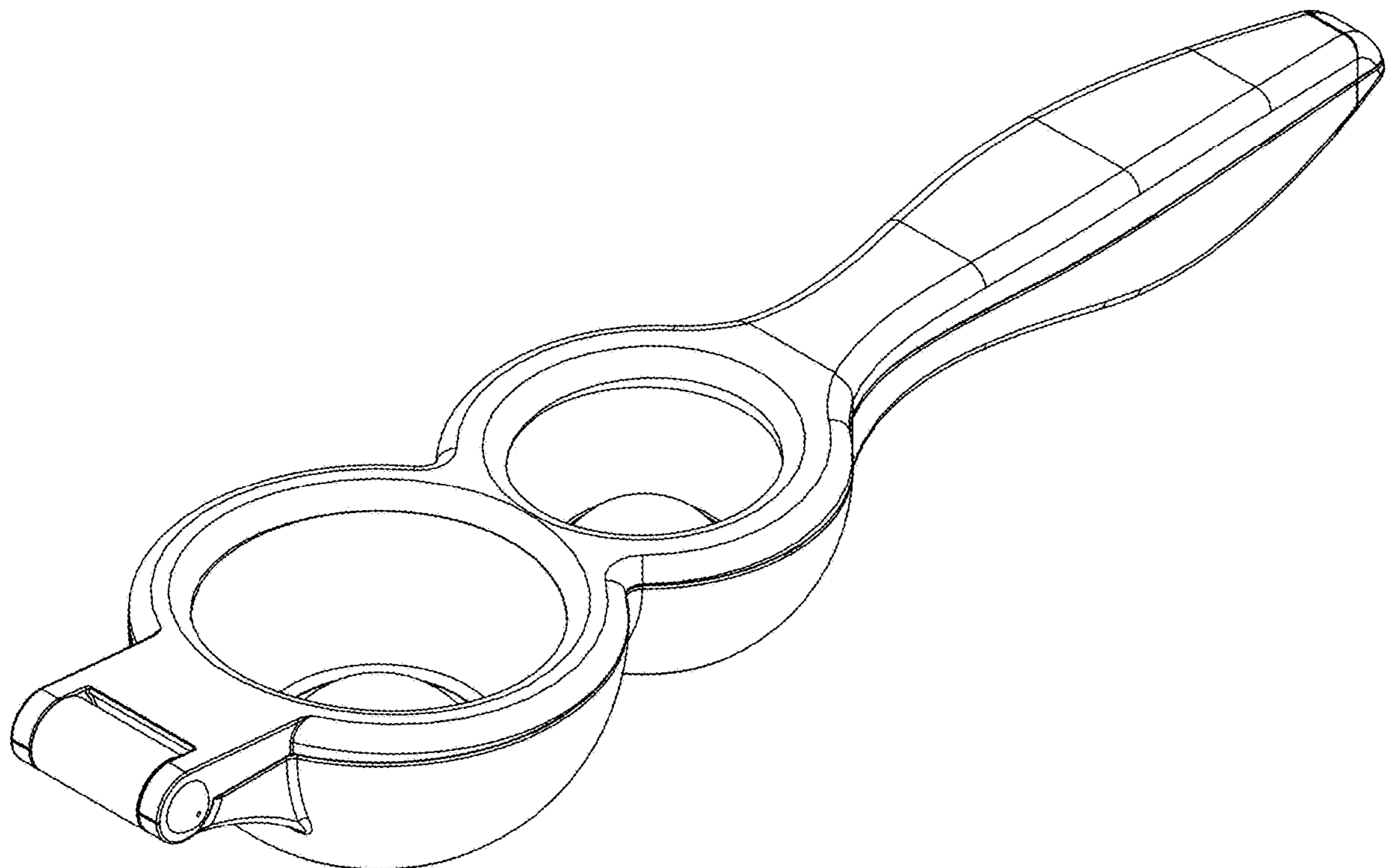


FIG. 11

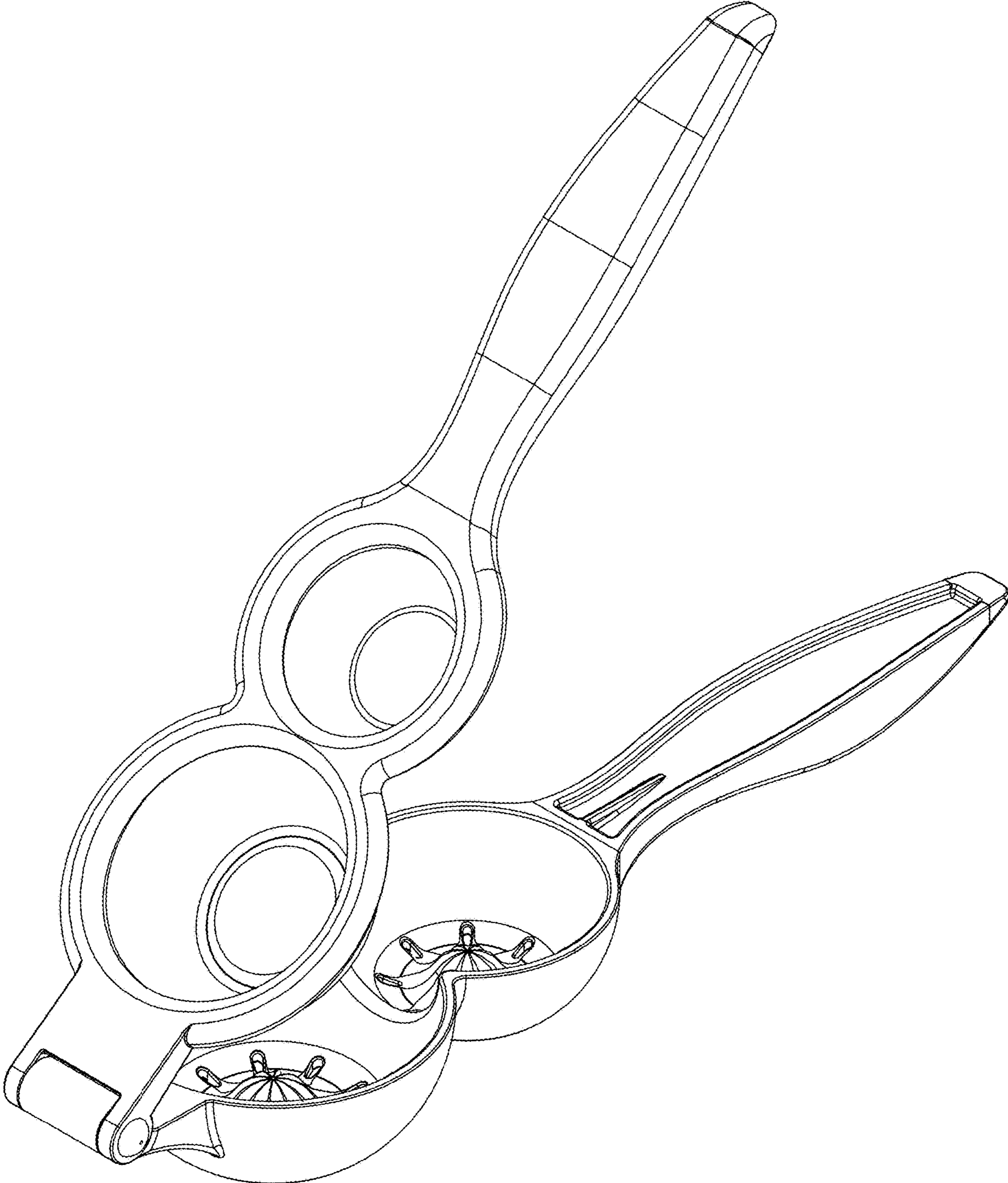


FIG. 12