



US00D951717S

(12) **United States Design Patent**
Buelow, Jr. et al.

(10) **Patent No.:** **US D951,717 S**

(45) **Date of Patent:** **** May 17, 2022**

(54) **BEVERAGE HOLDER**

(71) Applicant: **VersAttach LLC**, Saint Paul, MN (US)

(72) Inventors: **Jackson Buelow, Jr.**, Saint Paul, MN (US); **Jacob Mischke**, Saint Paul, MN (US); **Kyle Schneider**, Saint Paul, MN (US)

(73) Assignee: **VERSATTACH LLC**, Saint Paul, MN (US)

(**) Term: **15 Years**

(21) Appl. No.: **29/690,633**

(22) Filed: **May 9, 2019**

(51) **LOC (13) Cl.** **09-03**

(52) **U.S. Cl.**
USPC **D7/620**

(58) **Field of Classification Search**
USPC D3/215; D7/620, 619.1; D12/411
CPC A45C 3/00; A45F 5/10; B60N 3/105
See application file for complete search history.

(56) **References Cited**

U.S. PATENT DOCUMENTS

1,550,588	A *	8/1925	Soldani	A47G 29/18 248/313
2,532,244	A *	11/1950	Pasmore	A47G 23/0266 220/278
3,113,677	A *	12/1963	Johnson	A47G 23/0225 224/482
3,269,683	A *	8/1966	Shinaver	F16M 13/02 248/230.5
3,648,830	A *	3/1972	Graf	A45C 11/20 206/544
3,698,675	A *	10/1972	Lerew	A47K 1/09 248/311.2
D264,954	S *	6/1982	Blackburn	B62J 11/04 D12/411
D265,351	S *	7/1982	Wooters	D12/420

D282,489	S *	2/1986	Huber	D24/122
D288,054	S *	2/1987	Schulte	D12/411
4,767,092	A *	8/1988	Weatherly	A47K 1/08 248/214
D309,848	S *	8/1990	Sokolski	D7/620
D347,941	S *	6/1994	Minx	D12/411
D373,934	S *	9/1996	Morris	D7/620

(Continued)

OTHER PUBLICATIONS

Amazon website, BedBev Bottle Holder, Earliest comment date Feb. 23, 2021, [site visited Nov. 19, 2021], Available on the Internet URL www.amazon.com/BedBev-Bottle-Holder-Attachment-Cribs/product-reviews/B08W3TNDGQ (Year: 2021).*

(Continued)

Primary Examiner — S. Bryan Reinholdt, Jr.

(74) *Attorney, Agent, or Firm* — Grumbles Law PLLC; Brittany Nanzig

(57) **CLAIM**

The ornamental design for a beverage holder, as shown and described.

DESCRIPTION

FIG. 1 is a front left perspective view of the beverage holder showing our new design.

FIG. 2 is a back right perspective view of the beverage holder.

FIG. 3 is a front elevational view of a beverage holder.

FIG. 4 is a back elevational view of the beverage holder.

FIG. 5 is a right side view of the beverage holder.

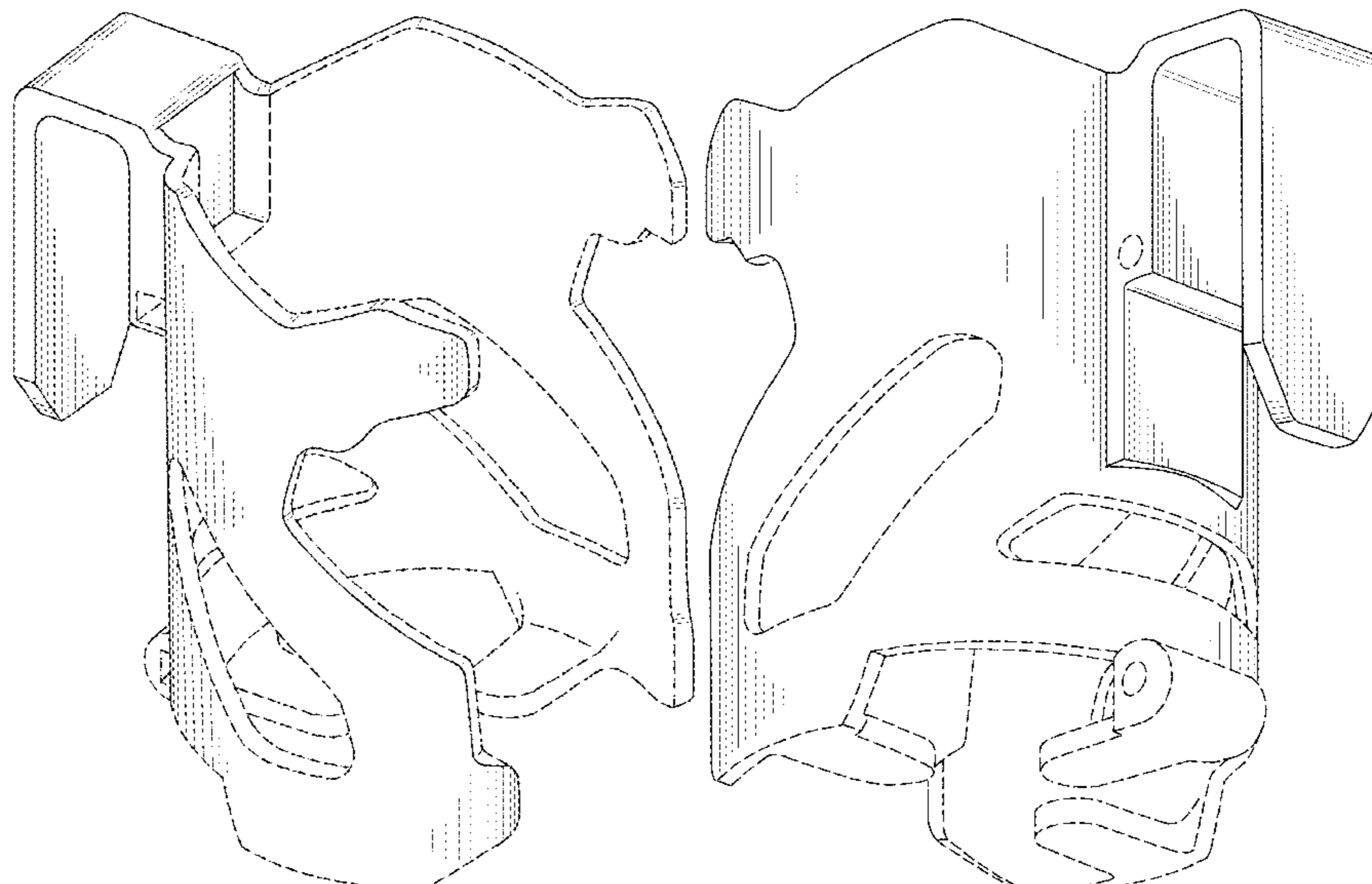
FIG. 6 is a left side view of the beverage holder.

FIG. 7 is a top plan view of the beverage holder; and,

FIG. 8 is a bottom plan view of the beverage holder.

The broken lines and the unshaded areas within them depict portions of the beverage holder that form no part of the claimed design.

1 Claim, 5 Drawing Sheets



(56)

References Cited

U.S. PATENT DOCUMENTS

D401,121	S	*	11/1998	Hartmann	D7/620
D473,760	S	*	4/2003	Perez	D7/620
D516,996	S	*	3/2006	Andrews	D12/420
D612,691	S	*	3/2010	Barnes, Jr.	D7/620
D775,058	S	*	12/2016	Overman	D12/411
9,944,209	B1	*	4/2018	Carnevali	F16M 11/2028
D899,077	S	*	10/2020	de Jonge	D3/215
D909,048	S	*	2/2021	de Jonge	D3/215
2010/0084531	A1	*	4/2010	Schuchman	A47G 23/0225 248/311.2

OTHER PUBLICATIONS

Night Caddy; “Night Caddy Deluxe Bedside Organizer—Includes USB Charger, Power Cord”; Product Listing; EBay, www.ebay.com/itm/Night-Caddy-Deluxe-Bedside-Organizer-Includes-USB-Charger-Power-Cord/302921380365?epid=27021733725&hash=item468785720d:g:0u4AAOSwyulbxA81; #pp. 4.

Modern Innovations; “Bedside Shelf for Bed—College Dorm Room Bedside Tray with Cup Holder & Cord Holder—Nightstand for Students—Bunk Bed Shelf for Top Bunk—Kids Nightstand for Bedroom (Plastic, Black).” Product Listing; Amazon, [www.amazon.com/Bedside-Nightstand-Students-Laptop-Tablet/dp/B078SFKVMG/ref=sr_1_1?keywords=Bedside Shelf to Use As Kids Nightstand, Bunk Bed Nightstand, Dorm Room&qid=1563382334&s=gateway&sr=8-1;#pp.9](http://www.amazon.com/Bedside-Nightstand-Students-Laptop-Tablet/dp/B078SFKVMG/ref=sr_1_1?keywords=Bedside+Shelf+to+Use+As+Kids+Nightstand,+Bunk+Bed+Nightstand,+Dorm+Room&qid=1563382334&s=gateway&sr=8-1;#pp.9).

Enhance; “Enhance Clip On Cup Holder for Desk—Desktop Organizer Clamp with Tray—Drink & Accessory Storage with Metal Spring & Divider—Ideal for Chairs & Tables—Holds Phones, Office Supplies & Snacks.” Product Listing; Amazon, [www.amazon.com/ENHANCE-Holder-Desktop-Clamp-Organizer/dp/B07HHF7MZ9/ref=sr_1_1?keywords=enhance cup holder clip on desktop clamp with organizer tray&qid=1563382723&s=gateway&sr=8-1;#pp.9](http://www.amazon.com/ENHANCE-Holder-Desktop-Clamp-Organizer/dp/B07HHF7MZ9/ref=sr_1_1?keywords=enhance+cup+holder+clip+on+desktop+clamp+with+organizer+tray&qid=1563382723&s=gateway&sr=8-1;#pp.9).
Graystone Home Furnishings; “Updated Bedside Caddy Shelf—Sturdy Bunk Bed Or Dorm Room Organizer Tray Black.” Product Listing; Ebay, www.ebay.com/itm/Updated-Bedside-Caddy-Shelf-Sturdy-Bunk-Bed-Or-Dorm-Room-Organizer-Tray-Black/283569458642;#pp.5.

* cited by examiner

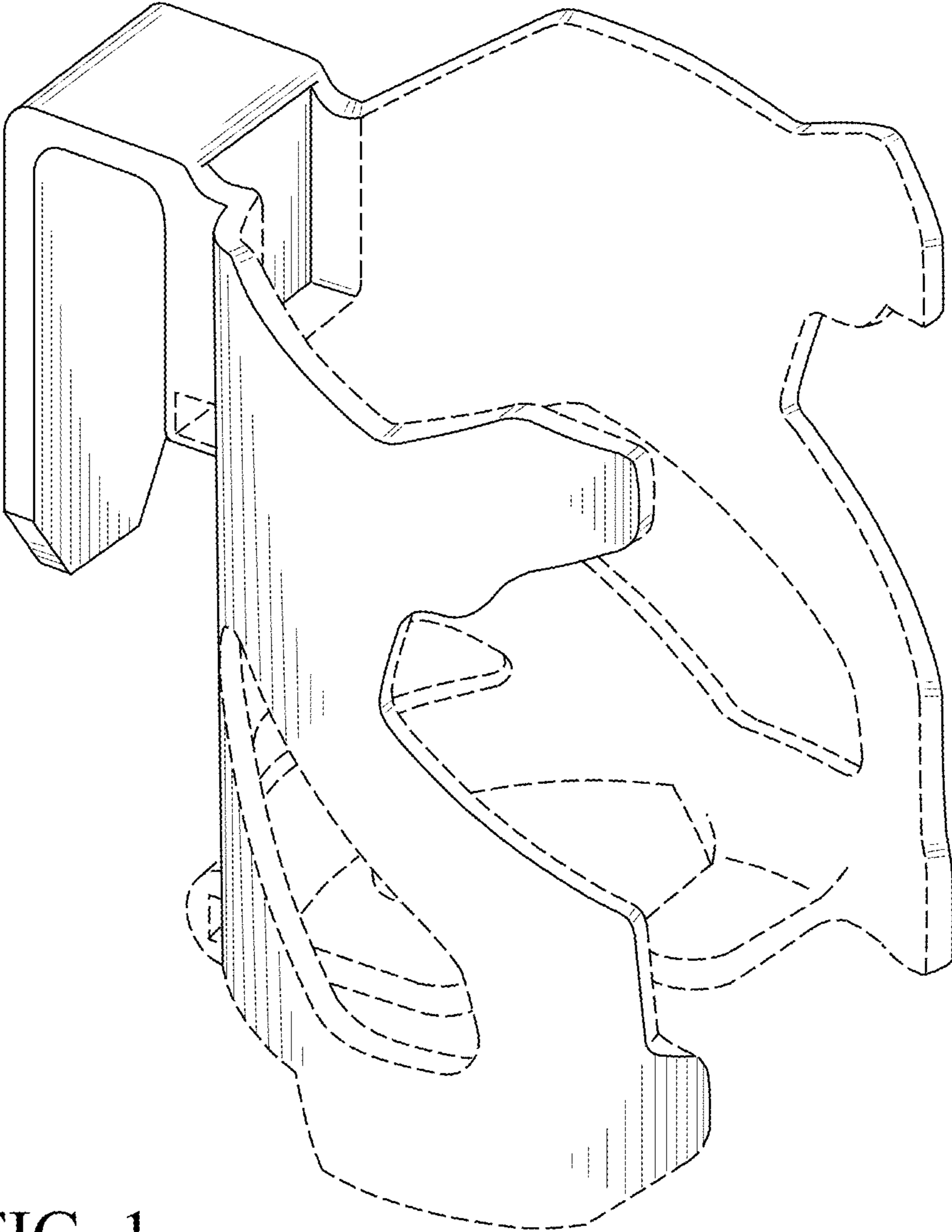


FIG. 1

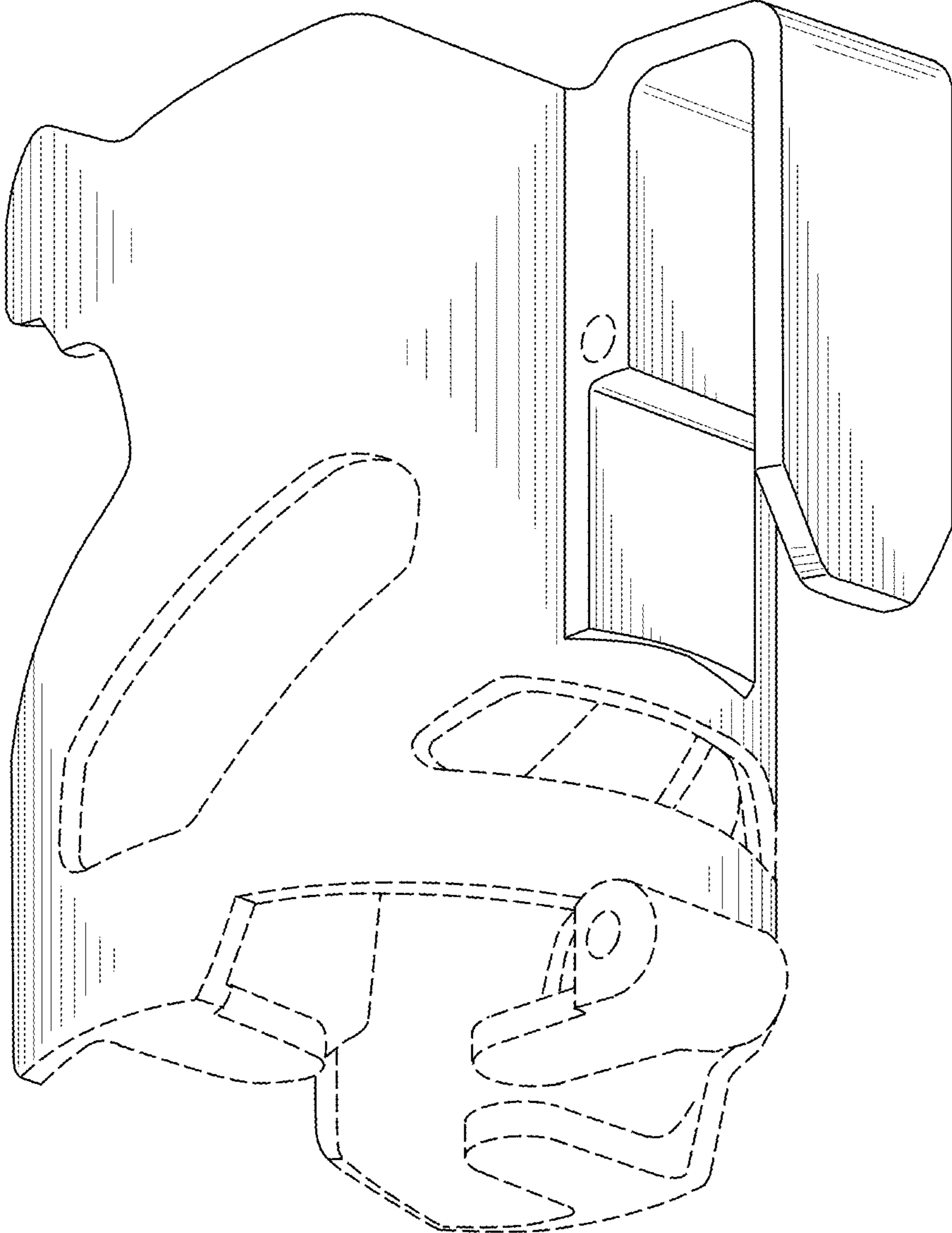


FIG. 2

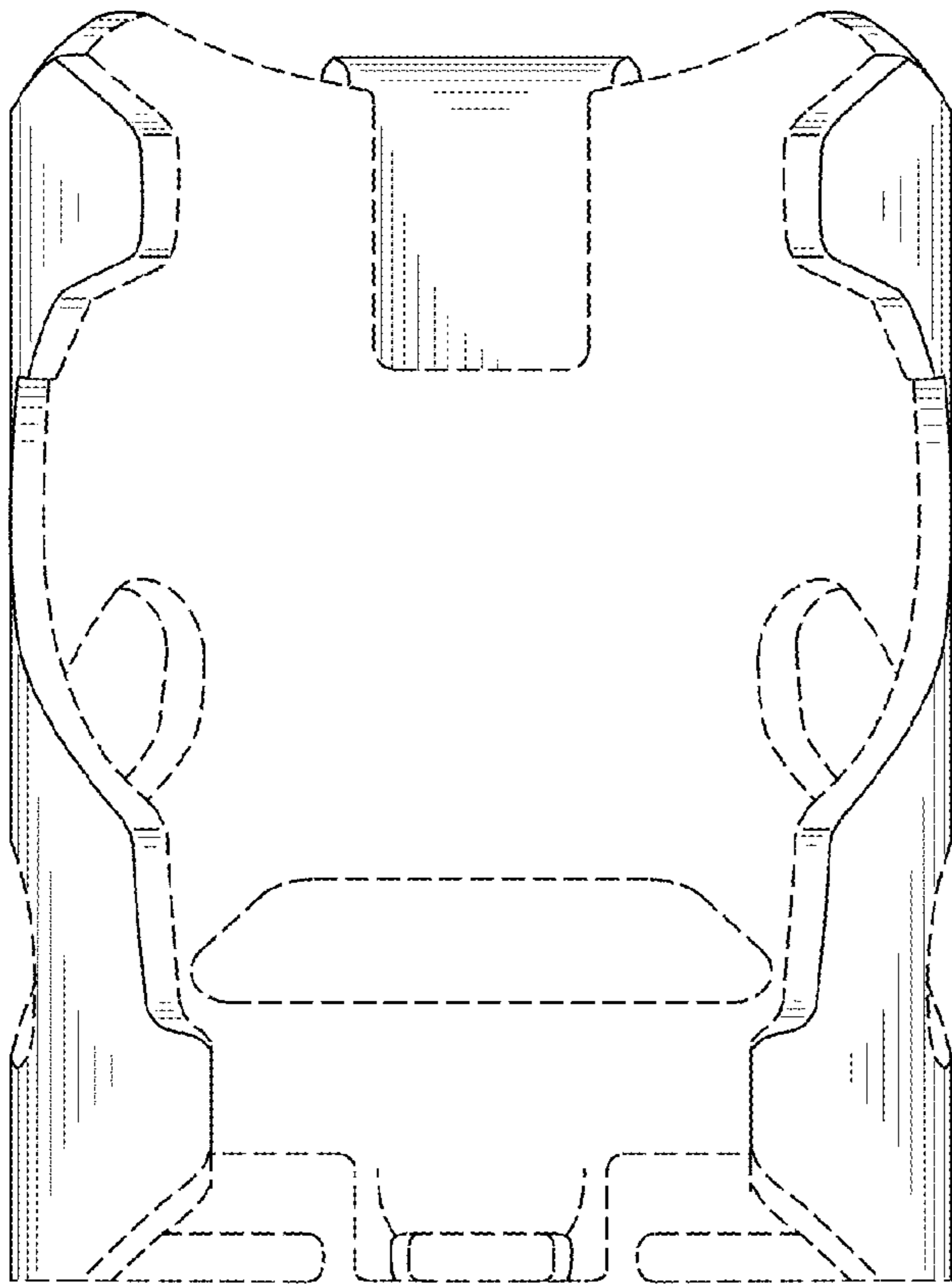


FIG. 3

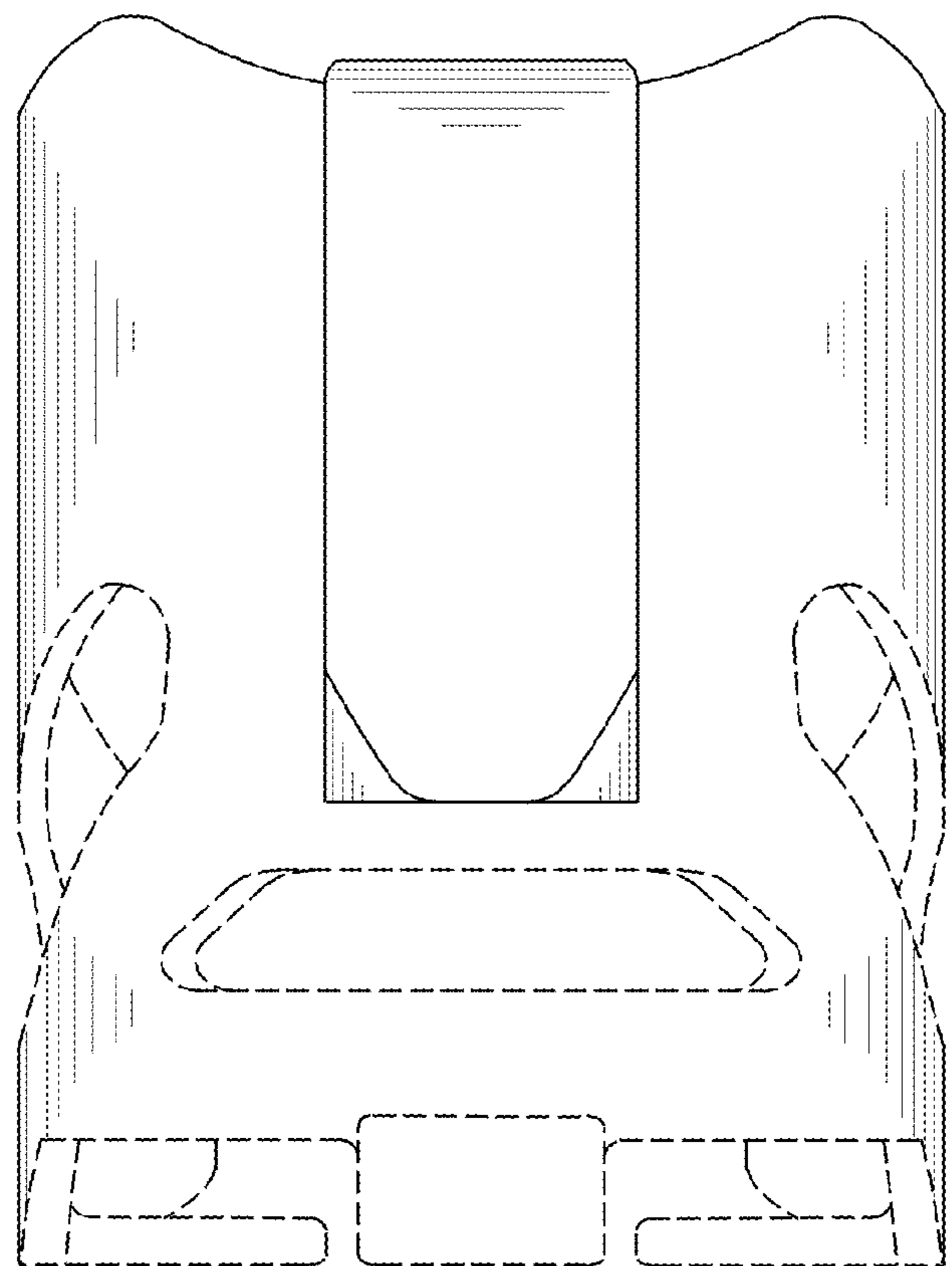


FIG. 4

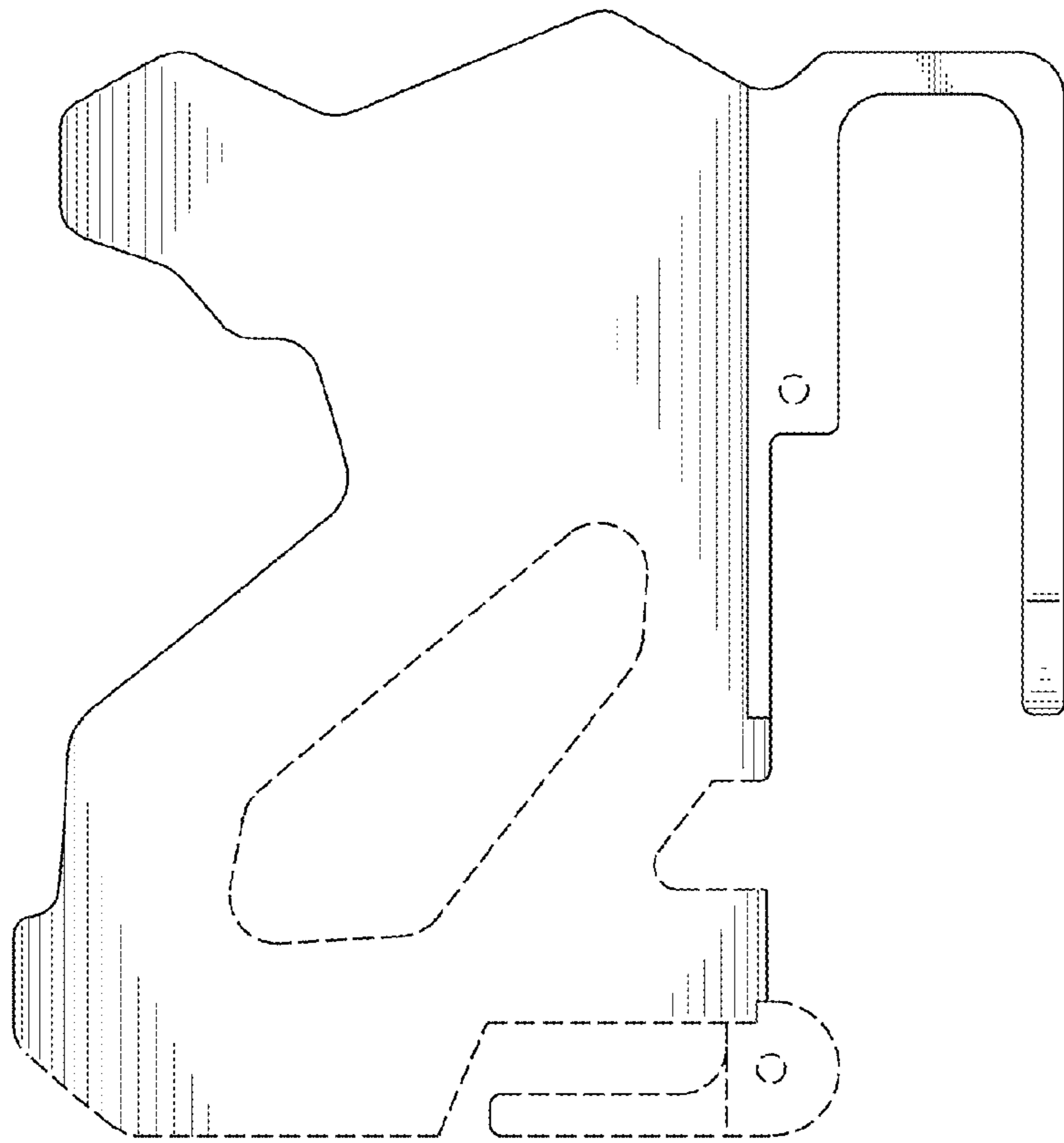


FIG. 5

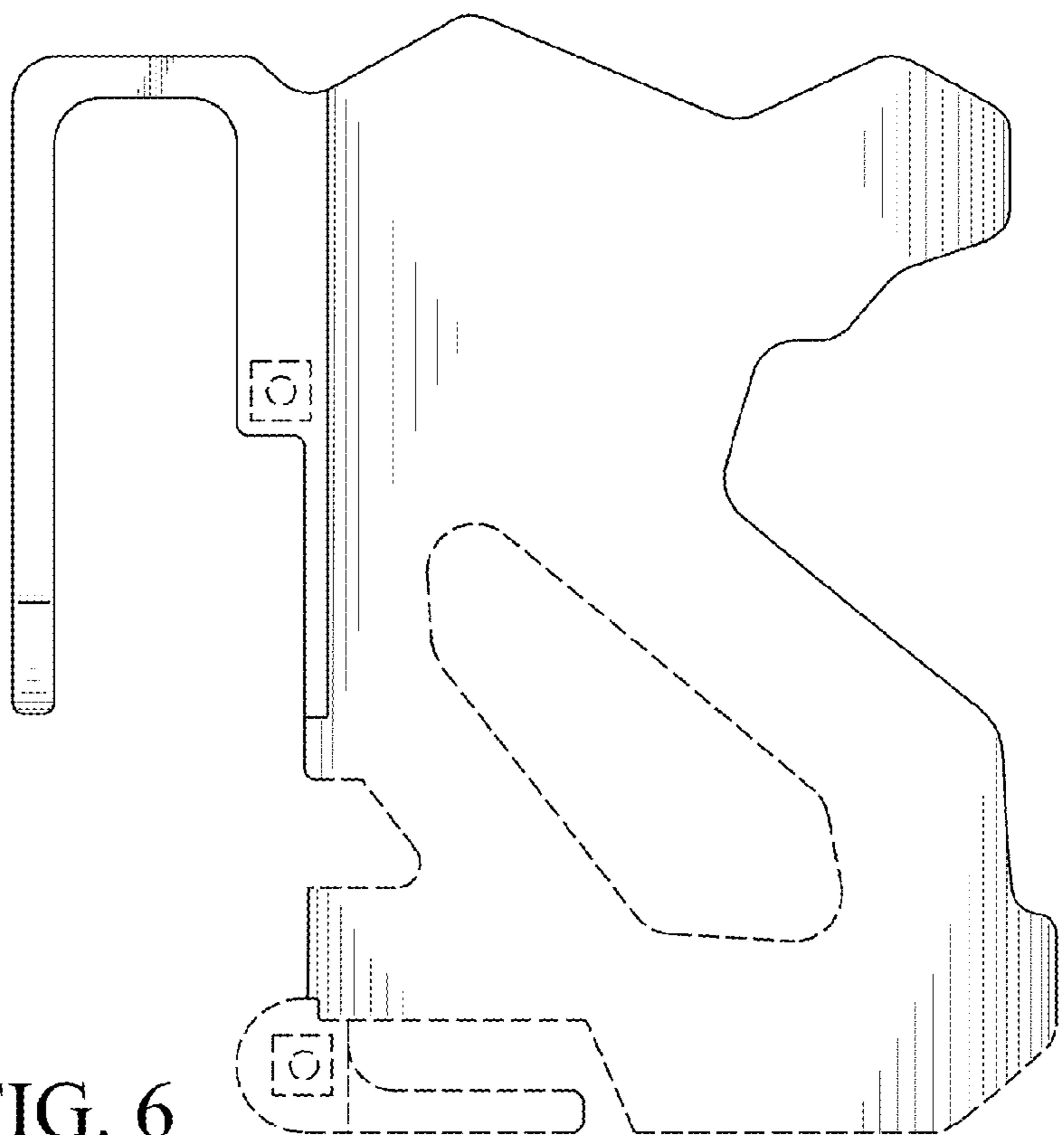


FIG. 6

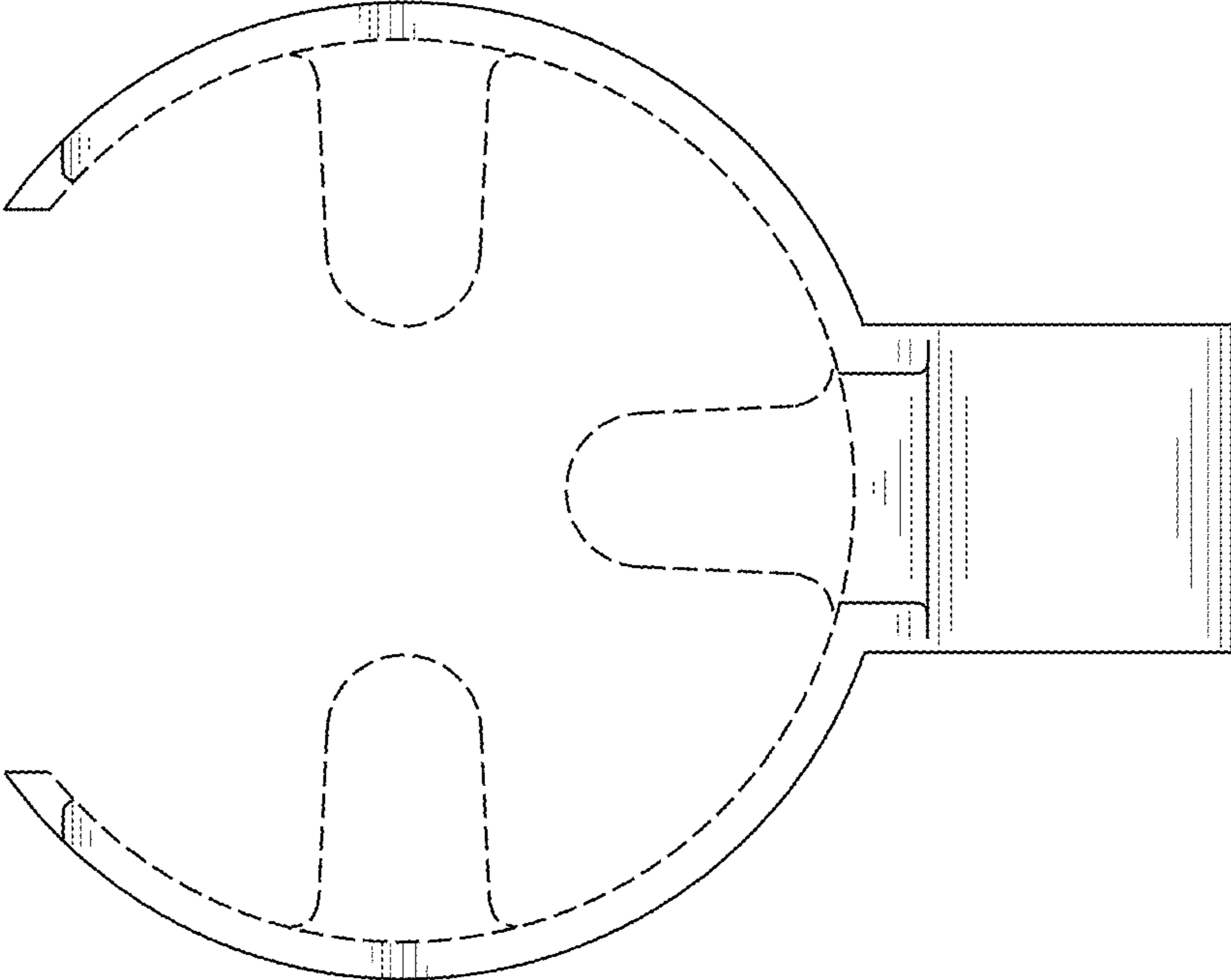


FIG. 7

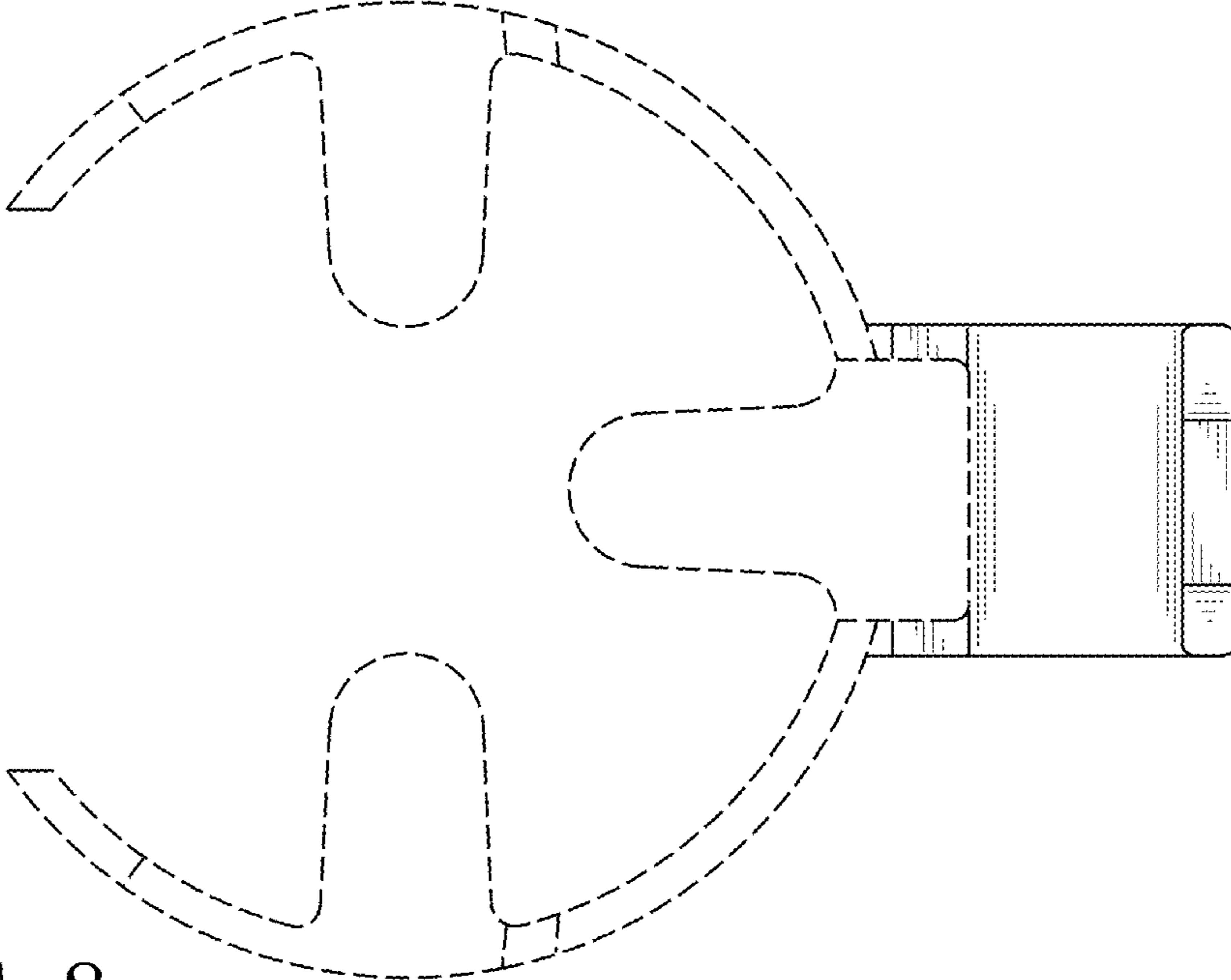


FIG. 8