



US00D951714S

(12) **United States Design Patent** (10) **Patent No.:** **US D951,714 S**
Radebaugh (45) **Date of Patent:** **** May 17, 2022**

(54) **COLLAPSIBLE WINE CUP WITH LID**

(71) Applicant: **Jillian Barrett Radebaugh**, Freeland, MD (US)

(72) Inventor: **Jillian Barrett Radebaugh**, Freeland, MD (US)

(**) Term: **15 Years**

(21) Appl. No.: **29/746,549**

(22) Filed: **Aug. 14, 2020**

(51) **LOC (13) Cl.** **07-01**

(52) **U.S. Cl.**
USPC **D7/512; D7/532**

(58) **Field of Classification Search**
USPC D7/507, 509, 510, 511, 512, 523, 532, D7/529, 531, 392.1, 396.2, 396.6; D9/435, 449, 436
CPC A47G 19/22; A47G 19/2288; A47G 19/2205; A47G 19/2277; A47G 19/2211; A45F 3/20

See application file for complete search history.

(56) **References Cited**

U.S. PATENT DOCUMENTS

- 1,523,324 A * 1/1925 West A47G 19/2205 220/8
- D347,359 S * 5/1994 Robbins, III D7/512
- 5,862,932 A * 1/1999 Walsh B65D 21/086 220/8
- 6,666,329 B1 * 12/2003 Charbonneau A45F 3/20 206/218
- D551,903 S * 10/2007 Wahl D7/510
- D566,470 S * 4/2008 Wahl D7/510
- D664,003 S * 7/2012 Nagoya D7/512
- D675,482 S * 2/2013 Heggstad D7/512
- D682,617 S * 5/2013 Miksovsky D7/512
- 9,016,491 B2 * 4/2015 Blum B65D 81/3869 220/4.33
- 9,119,507 B2 * 9/2015 Abrams A47J 41/0055

- D899,192 S * 10/2020 Yu D7/512
- D902,656 S * 11/2020 Tsui D7/512
- 2009/0101654 A1 * 4/2009 Brashear B65D 51/28 220/522
- 2013/0181000 A1 * 7/2013 Miksovsky A45F 3/20 220/780
- 2015/0291309 A1 * 10/2015 McGregor A47J 33/00 220/573.1
- 2015/0313389 A1 * 11/2015 Velasquez A47G 19/22 220/8
- 2017/0008670 A1 * 1/2017 Wu A47G 19/2205
- 2020/0305584 A1 * 10/2020 Tuan A47G 19/00

OTHER PUBLICATIONS

Joyrses silica gel collapsible water cups by Mingjinghuilian Learn more: https://www.amazon.com/dp/B08XBFY6ZD/ref=cm_sw_em_r_mt_dp_QJWYG38JY9ZQMZW08NS3?_encoding=UTF8 (Year: 2020).*

Hunu Leakproof Pocket Cup Collapsible Coffee Cup by Hunu Learn more: https://www.amazon.com/dp/B088RL9BS3/ref=cm_sw_em_r_mt_dp_G4DYE1QDBZNH8PR2G55Y?_encoding=UTF8& (Year: 2020).*

* cited by examiner

Primary Examiner — Jae Liang

(74) *Attorney, Agent, or Firm* — Wenderoth, Lind & Ponack, L.L.P.

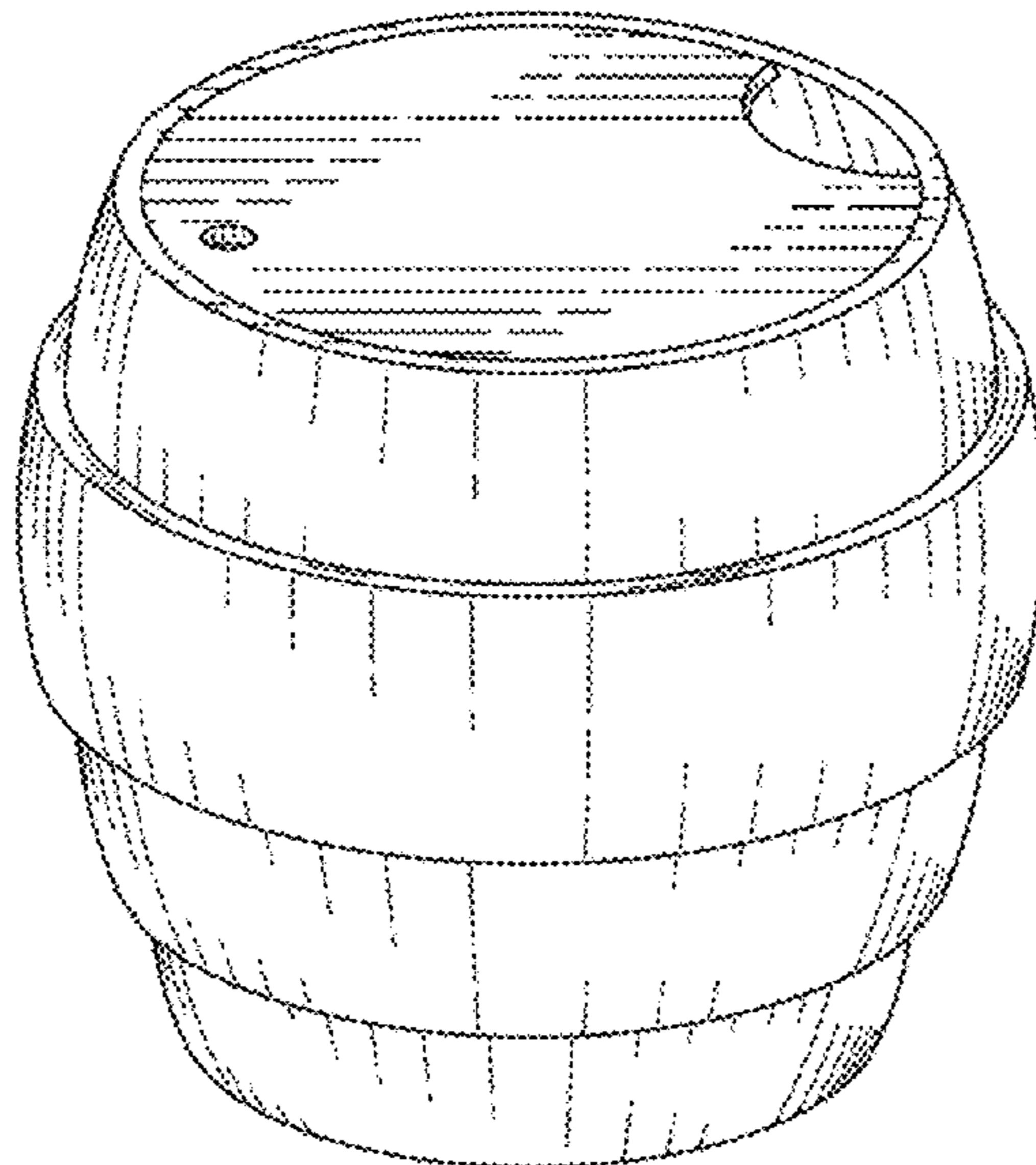
(57) **CLAIM**

The ornamental design for a collapsible wine cup with lid, as shown and described.

DESCRIPTION

FIG. 1 is a perspective view of a collapsible wine cup with lid, embodying the new design;
FIG. 2 is a perspective collapsed view thereof;
FIG. 3 is a top view thereof;
FIG. 4 is a third perspective view thereof; and,
FIG. 5 is a fourth perspective view thereof.

1 Claim, 3 Drawing Sheets



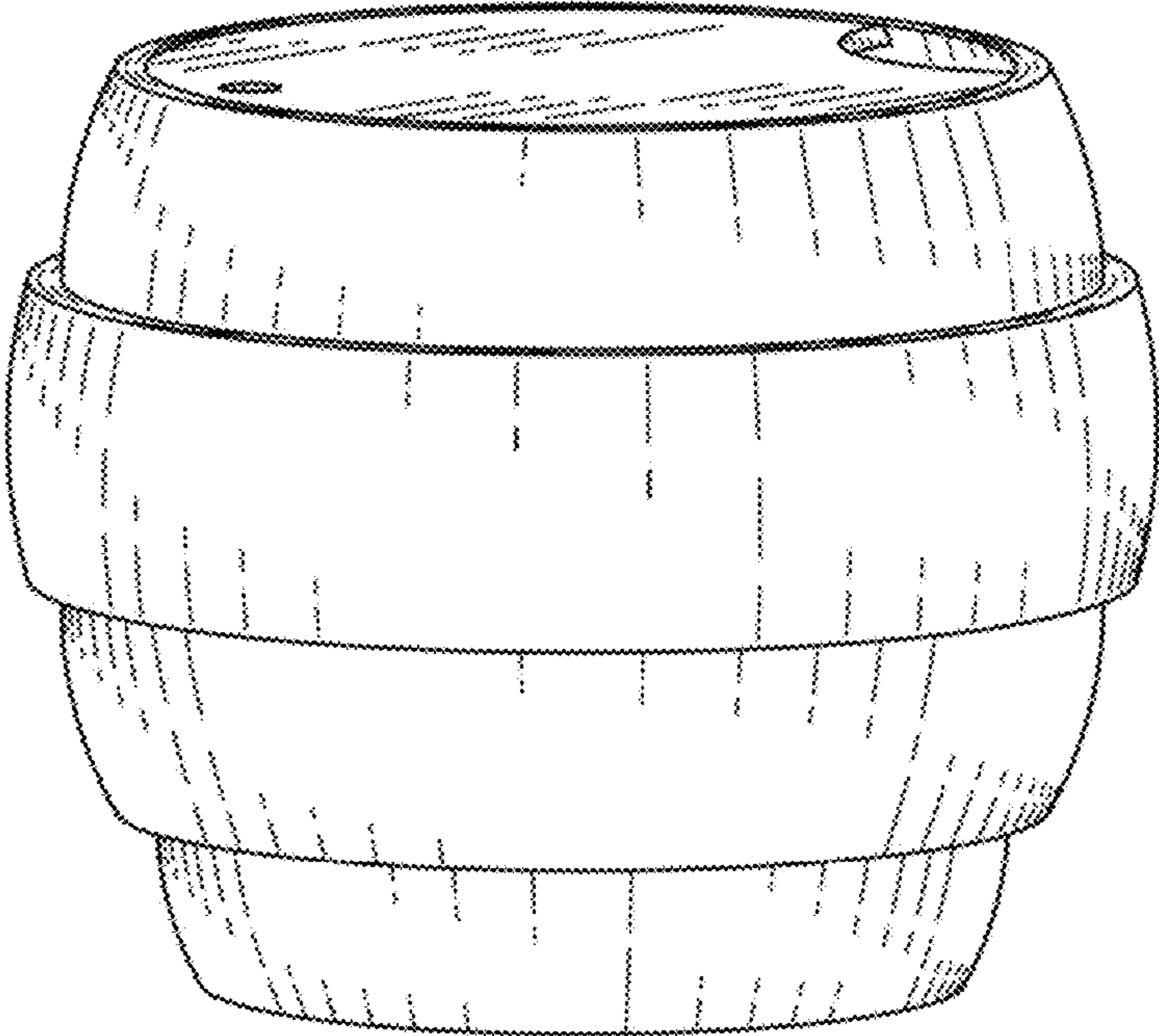


FIG. 1

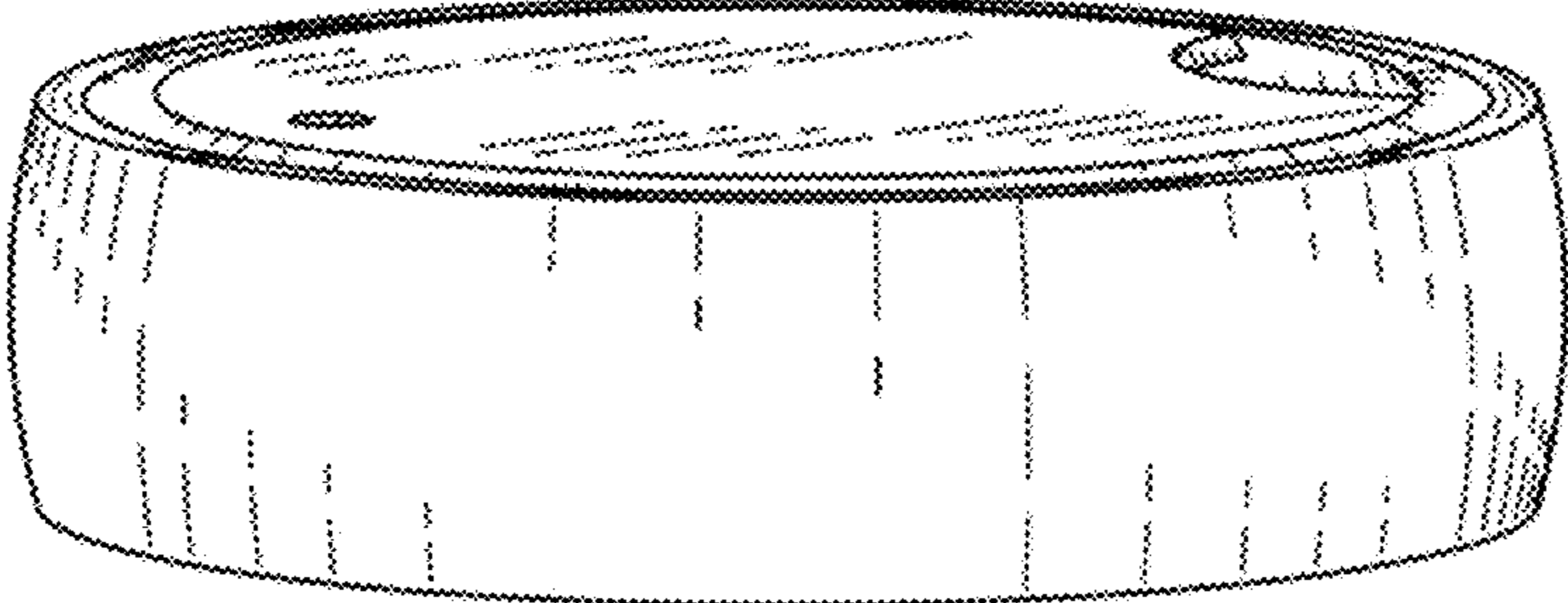


FIG. 2

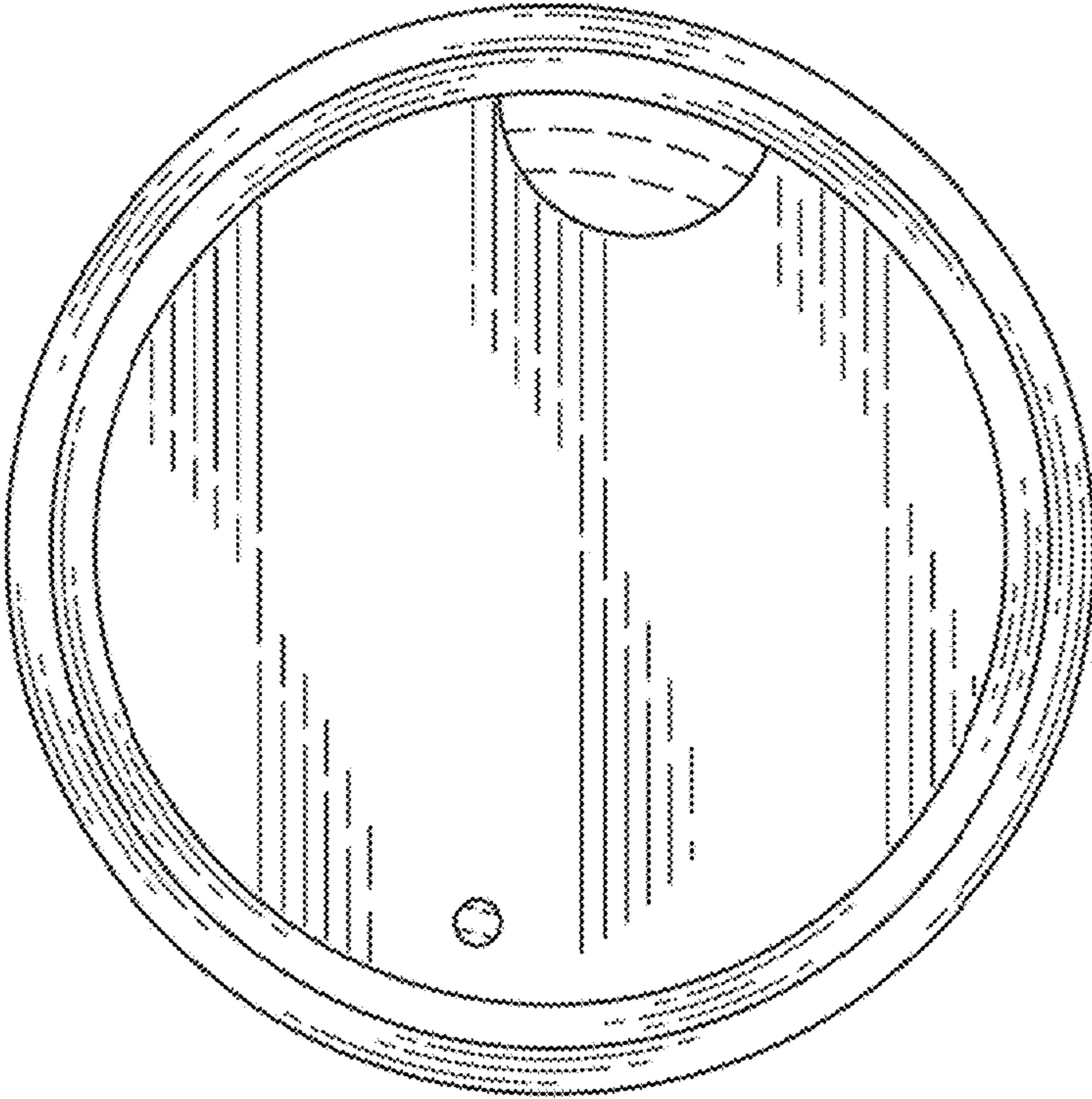


FIG. 3

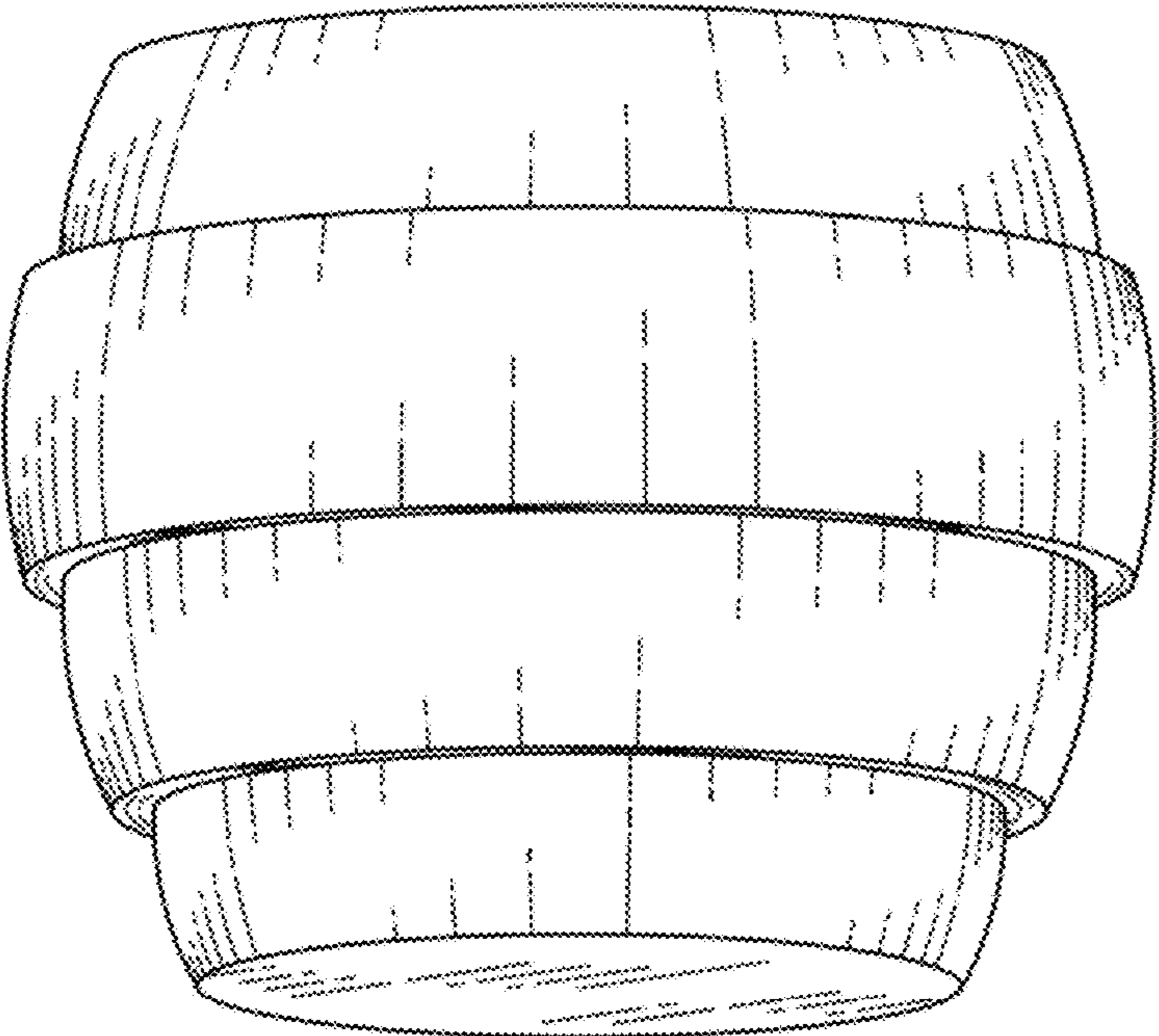


FIG. 4

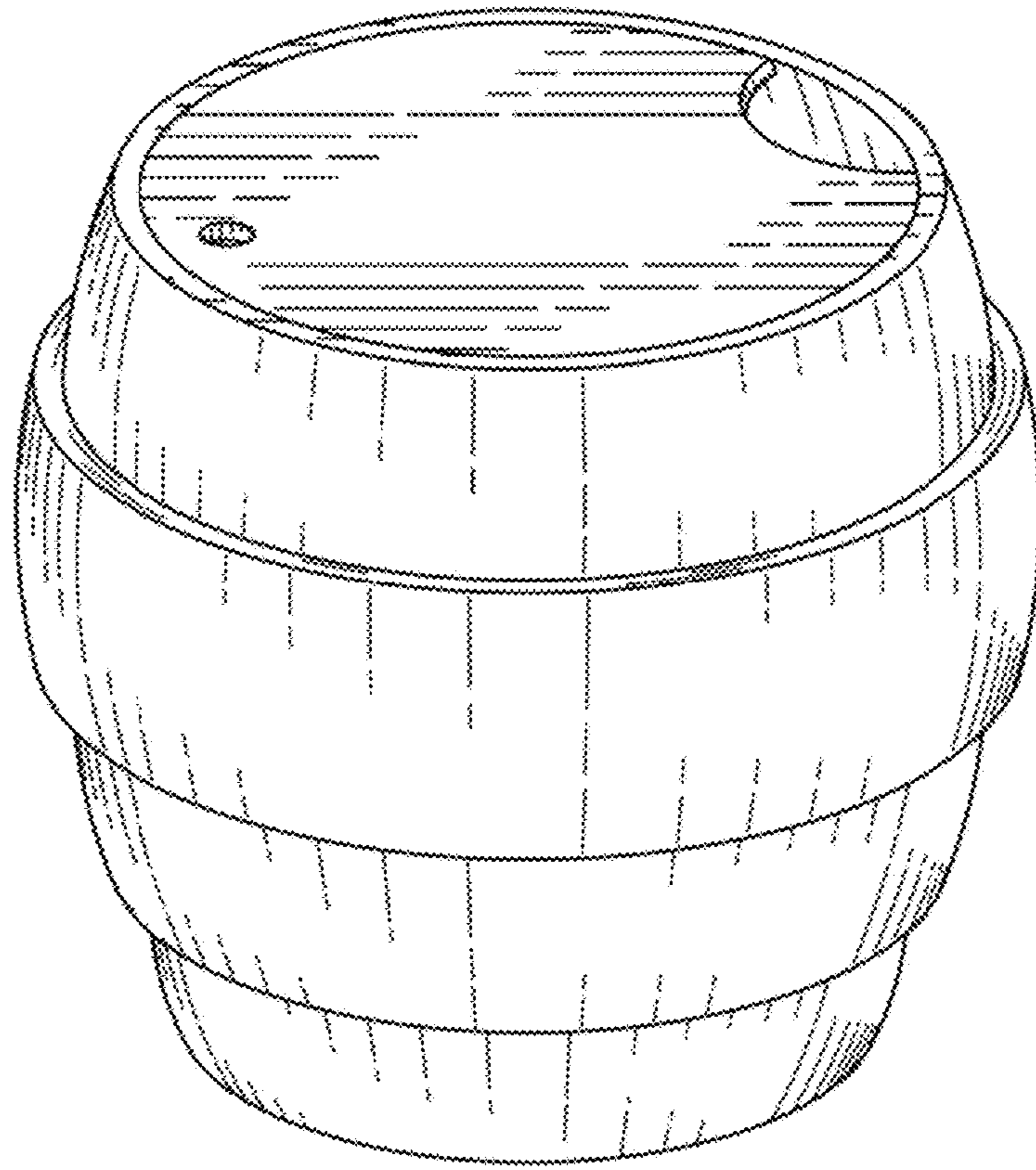


FIG. 5